



US00D687837S

(12) **United States Design Patent**
André

(10) **Patent No.:** **US D687,837 S**

(45) **Date of Patent:** **** Aug. 13, 2013**

(54) **USB DEVICE**

(75) Inventor: **Olivier André**, Pok Fu Lam (HK)

(73) Assignee: **Intermed Asia Limited**, Hung Hom, Kowloon (HK)

(**) Term: **14 Years**

(21) Appl. No.: **29/418,497**

(22) Filed: **Apr. 17, 2012**

(30) **Foreign Application Priority Data**

Oct. 18, 2011 (HK) 1101811.4M001

(51) **LOC (9) Cl.** **14-02**

(52) **U.S. Cl.**
USPC **D14/480.2; D14/480.5**

(58) **Field of Classification Search**
USPC D14/411, 433, 435.1, 436, 480.1–480.7,
D14/484.1, 137, 155, 203.1–203.8, 240;
D13/133, 154; 361/679.31, 679.33, 679.4,
361/752; 439/131, 135–147; 710/300, 301;
711/100, 115; D21/623; D9/620
See application file for complete search history.

(56) **References Cited**

U.S. PATENT DOCUMENTS

D19,030	S	*	4/1889	Lee	D13/133
784,888	A	*	3/1905	Reisner	446/69
D43,259	S	*	11/1912	Weise	D9/620
D71,917	S	*	1/1927	Kotolidis	D21/398
D281,342	S	*	11/1985	Gompes	D21/589
D494,571	S	*	8/2004	Polito	D14/223
D496,364	S	*	9/2004	Saito	D14/385
D513,000	S	*	12/2005	Cohen	D14/480.3
D516,560	S	*	3/2006	Landau	D14/480.2
D525,976	S	*	8/2006	Landau	D14/480.2
D530,330	S	*	10/2006	Landau	D14/480.2
D536,700	S	*	2/2007	Landau	D14/480.5

7,443,691	B1	*	10/2008	Davis	361/752
D620,495	S	*	7/2010	Chen	D14/480.2
7,796,379	B2	*	9/2010	Tsai	361/679.32
D629,805	S	*	12/2010	Nysen et al.	D14/433
D657,366	S	*	4/2012	Leung	D14/480.2
2005/0277316	A1	*	12/2005	Cohen	439/135
2007/0073950	A1	*	3/2007	Sheng	710/301
2011/0182014	A1	*	7/2011	Zhang et al.	361/679.4

OTHER PUBLICATIONS

Welcome to Usb.brando.com.hk, [online], [retrieved on Apr. 8, 2008]. Retrieved from the Internet <URL: http://usb.brando.com.hk/prod_detail.php?prod_id=00404&dept_id=015&cat_id=041>.*

(Continued)

Primary Examiner — Karen E Kearney

(74) *Attorney, Agent, or Firm* — Merchant & Gould P.C.

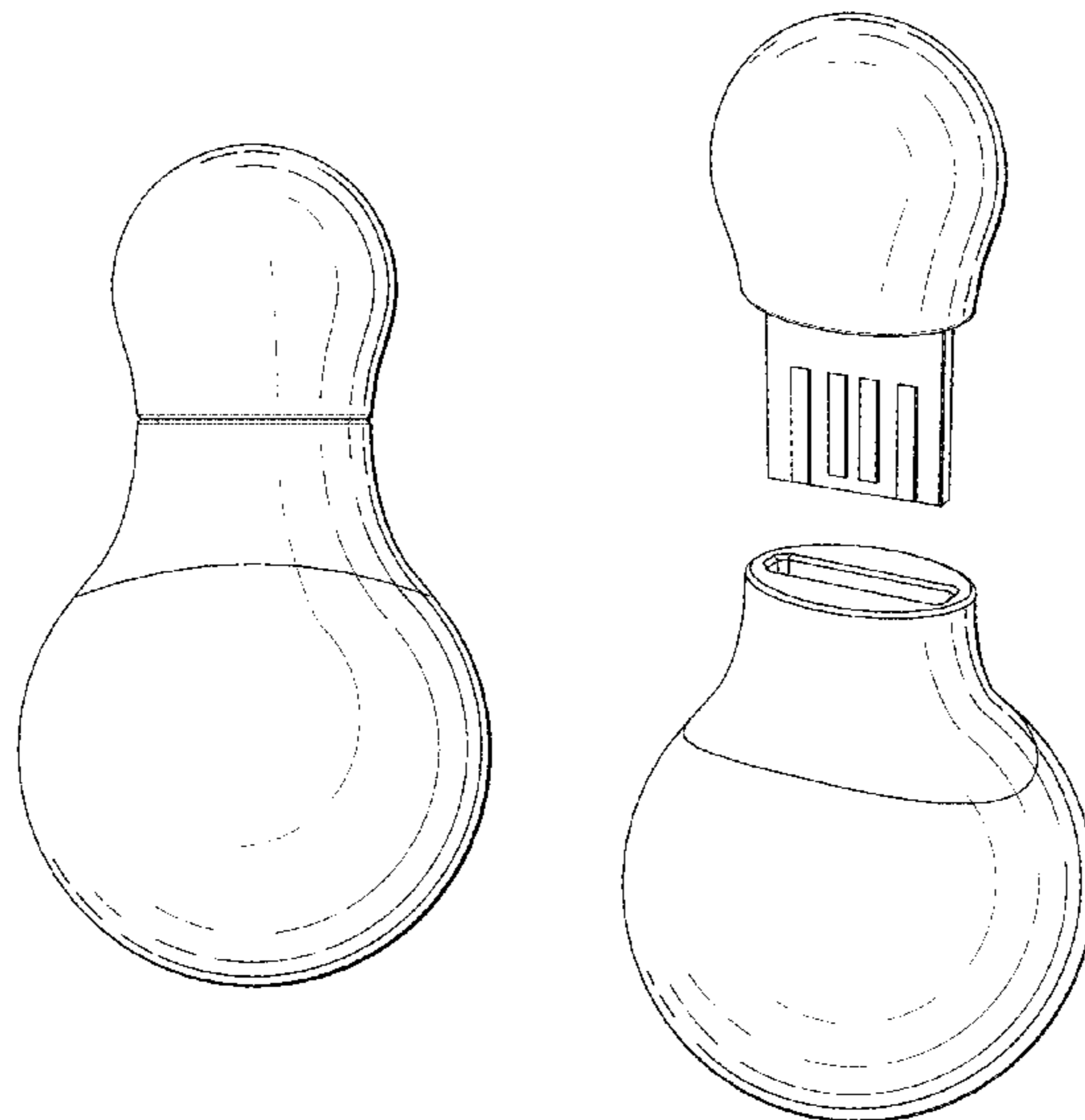
(57) **CLAIM**

The ornamental design for USB device, as shown and described.

DESCRIPTION

FIG. 1 is a perspective view showing my new design;
 FIG. 2 is a front view thereof;
 FIG. 3 is a back view thereof;
 FIG. 4 is a side view thereof;
 FIG. 5 is an opposite side view thereof;
 FIG. 6 is a top view thereof;
 FIG. 7 is a bottom view thereof;
 FIG. 8 is a perspective view with the top removed from the base and the USB connector exposed;
 FIG. 9 is a top view of the base with the receptacle for the USB connector exposed;
 FIG. 10 is a perspective view of the base with the receptacle for the USB connector exposed; and,
 FIG. 11 is a perspective view of the top portion of the USB device with the USB connector exposed.

1 Claim, 11 Drawing Sheets



OTHER PUBLICATIONS

Welcome to Usb.brand.com.hk, [online], [retrieved on Apr. 8, 2008]. Retrieved from the Internet <URL: http://usb.brand.com.hk/prod_detail.php?prod_id=00277&dept_id=015&cat_id=041>.*
Redismo Fine Products Ltd—Cell Phone Data Cables, Cell Phone Accessories, Computer Accessories—Bolwing Pins USB Flash Drive, [online], [retrieved on Oct. 28, 2008]. Retrieved from the Internet <URL: <http://redismo.trustpass.alibaba.com/>>.*
USB Flash Drive Style Sphere, [online], [retrieved on Dec. 13, 2006].

Retrieved from the Internet <URL: <http://www.memoriesuppliers.com/noname4.html>>.*

Hyuh jin lee—london, United Kingdom—Russian Doll USB stick, [online], [retrieved on Aug. 11, 2009]. Retrieved from the Internet <URL: http://www.coroflot.com/public/individual_file.asp?individual_id=205929&portfolio_id=2008785&is_featured=-1&>>.*

* cited by examiner

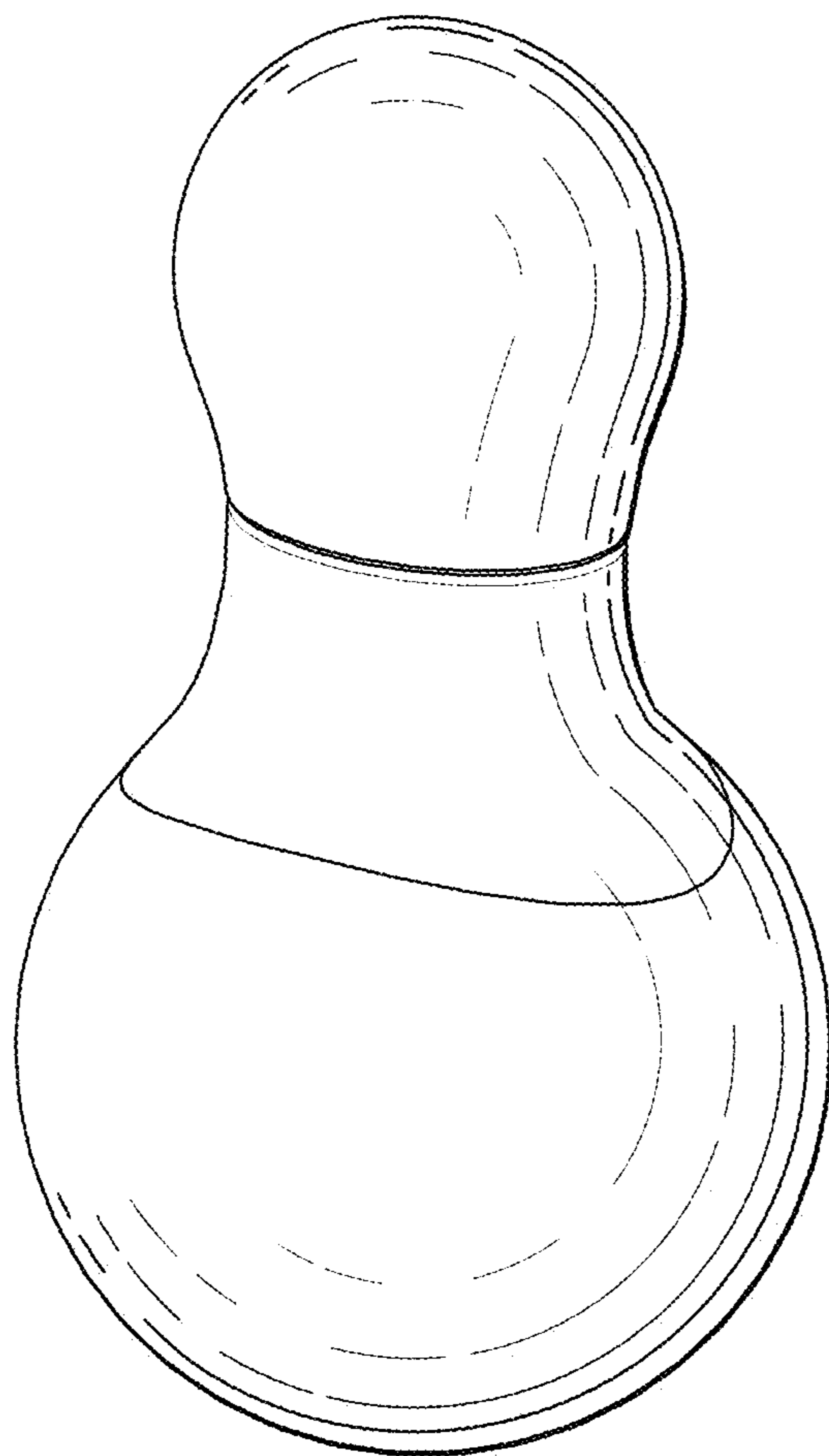


FIG. 1

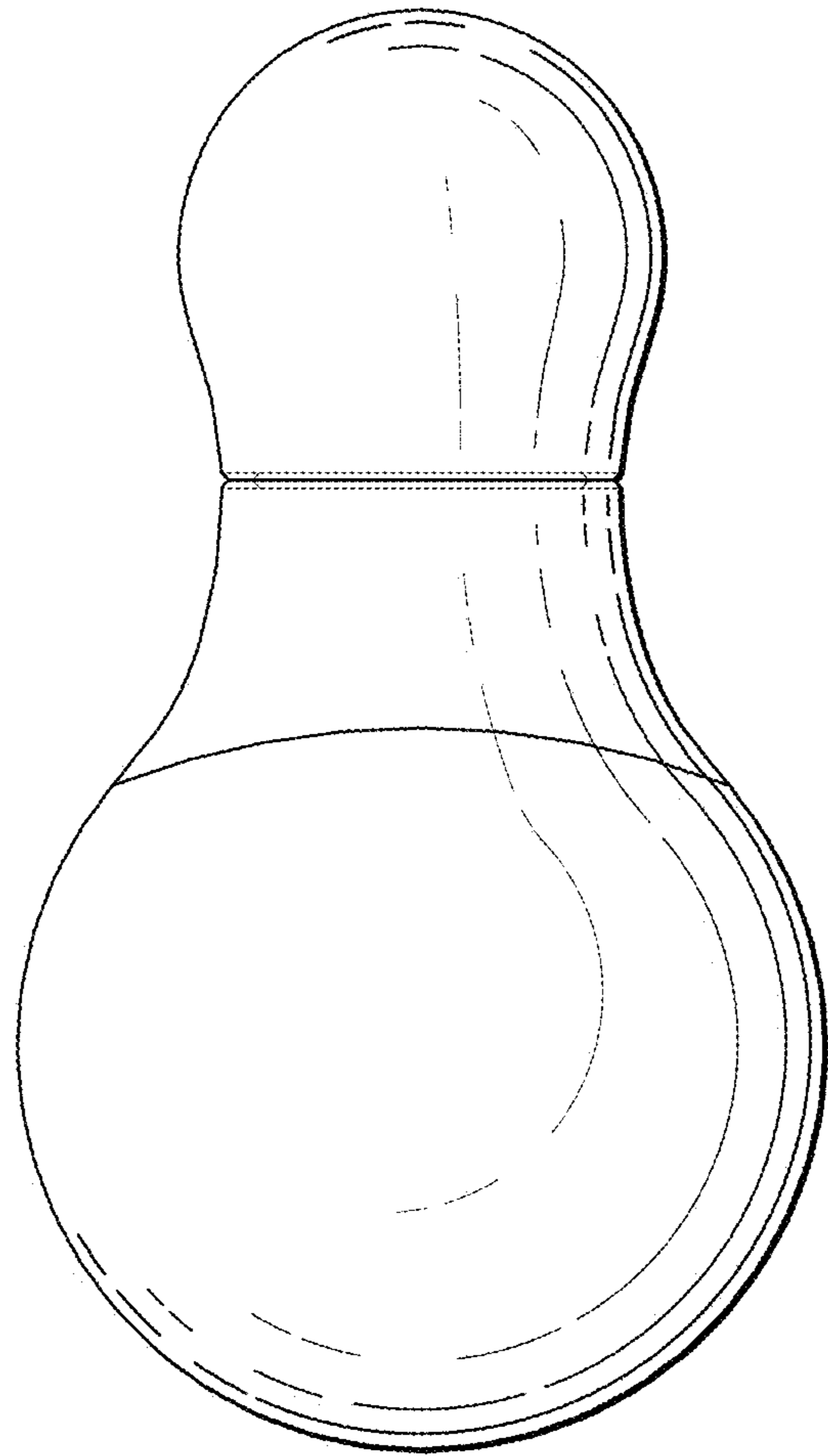


FIG. 2

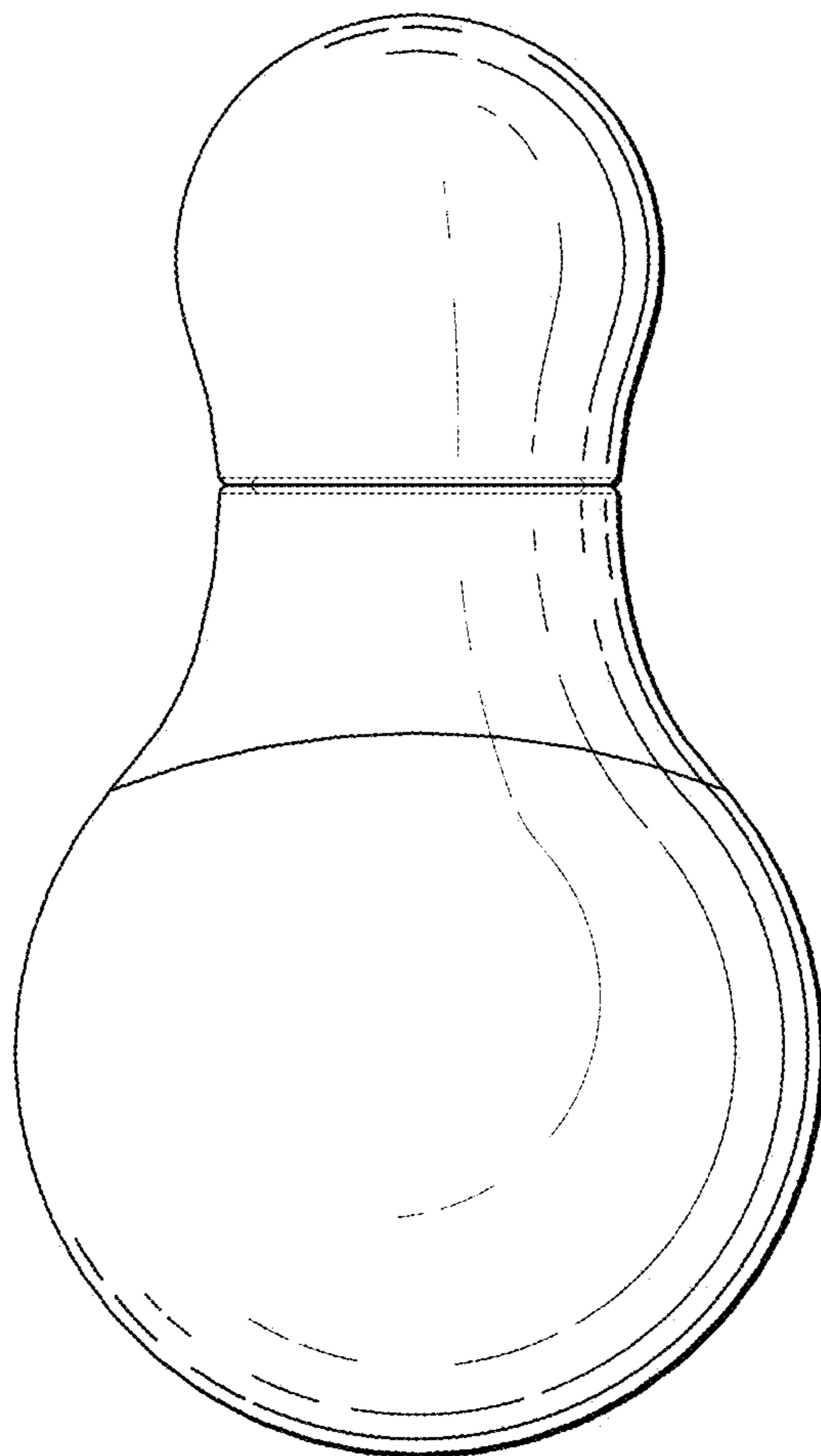


FIG. 3

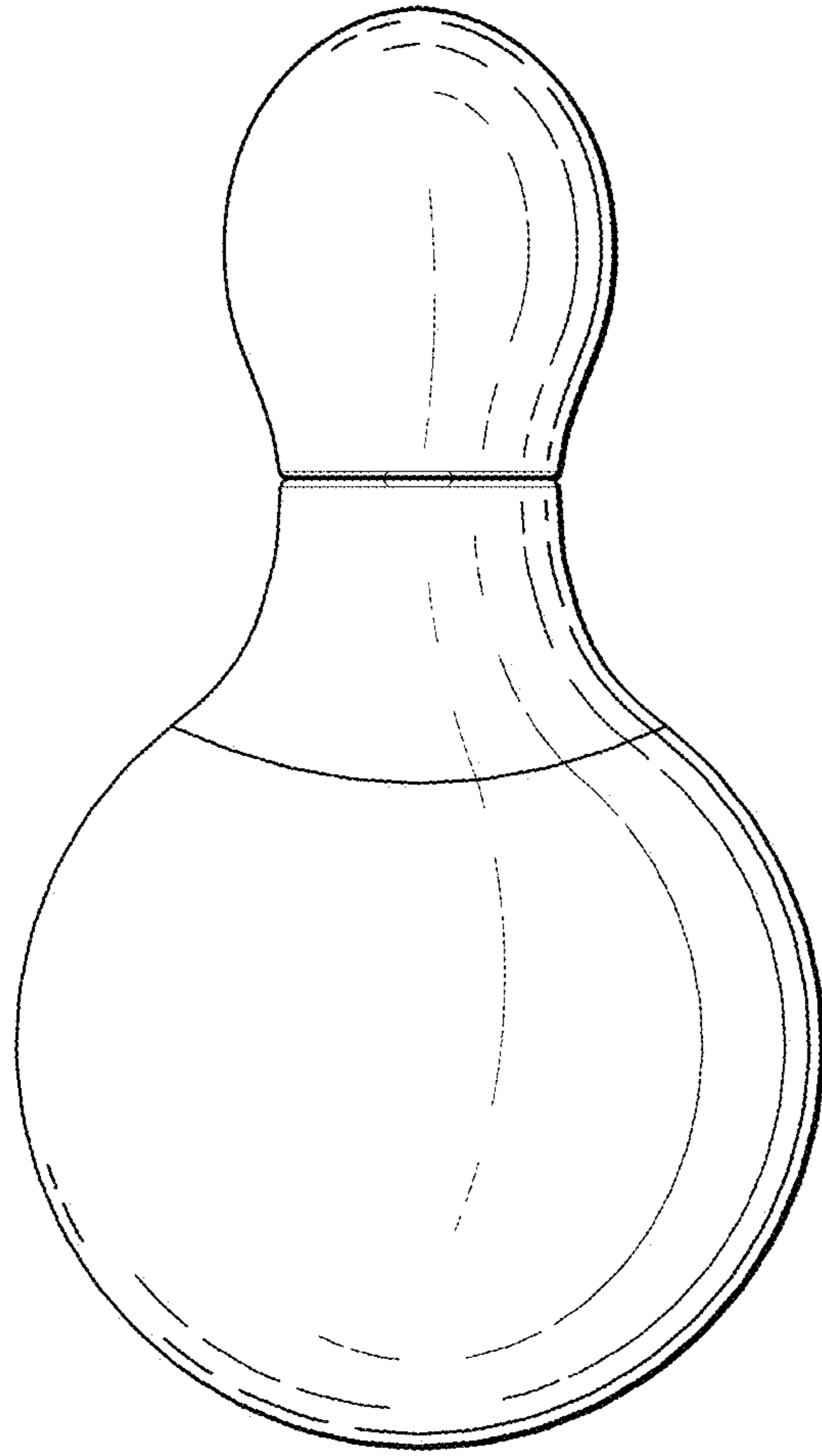


FIG. 4

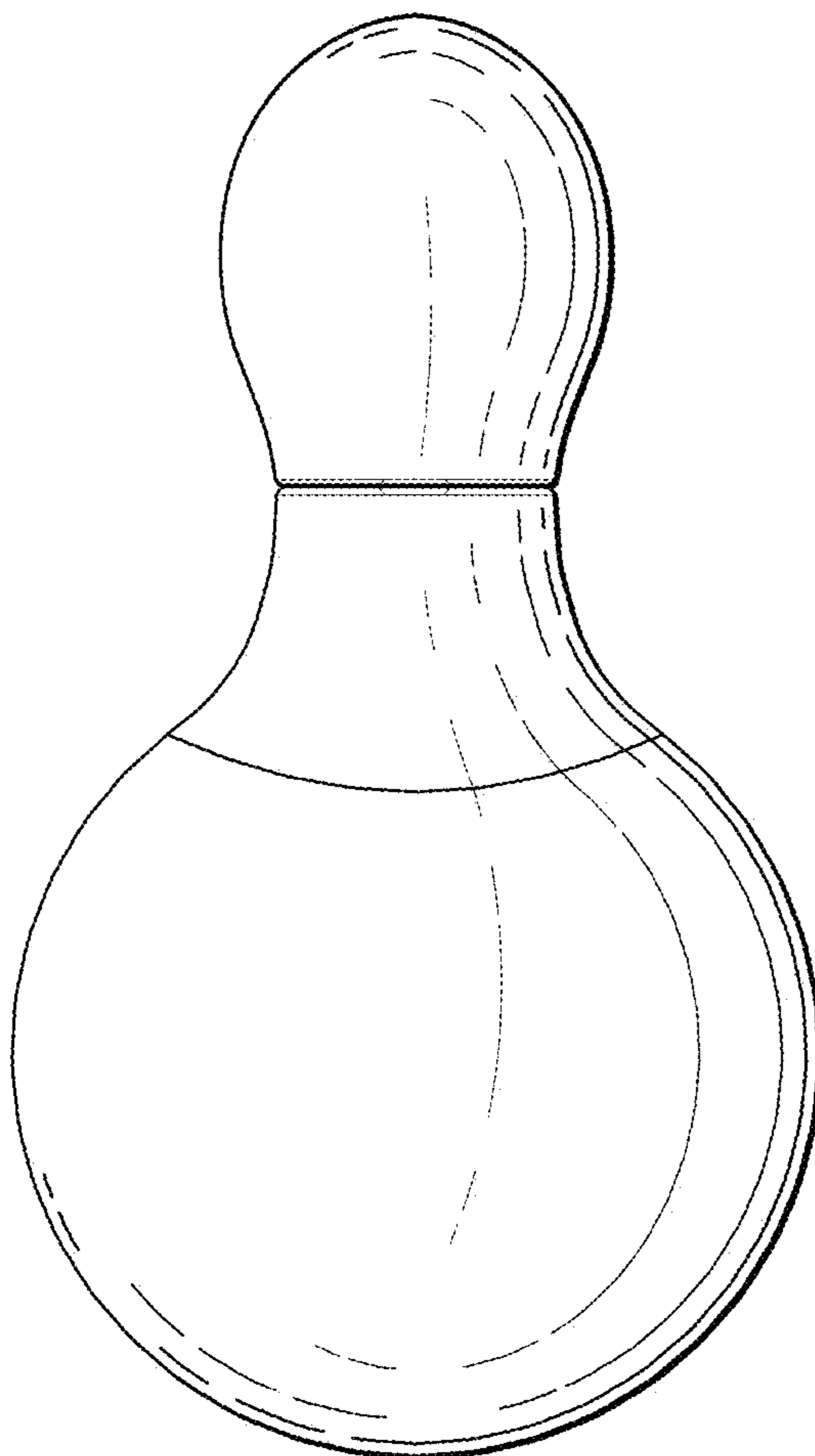


FIG. 5

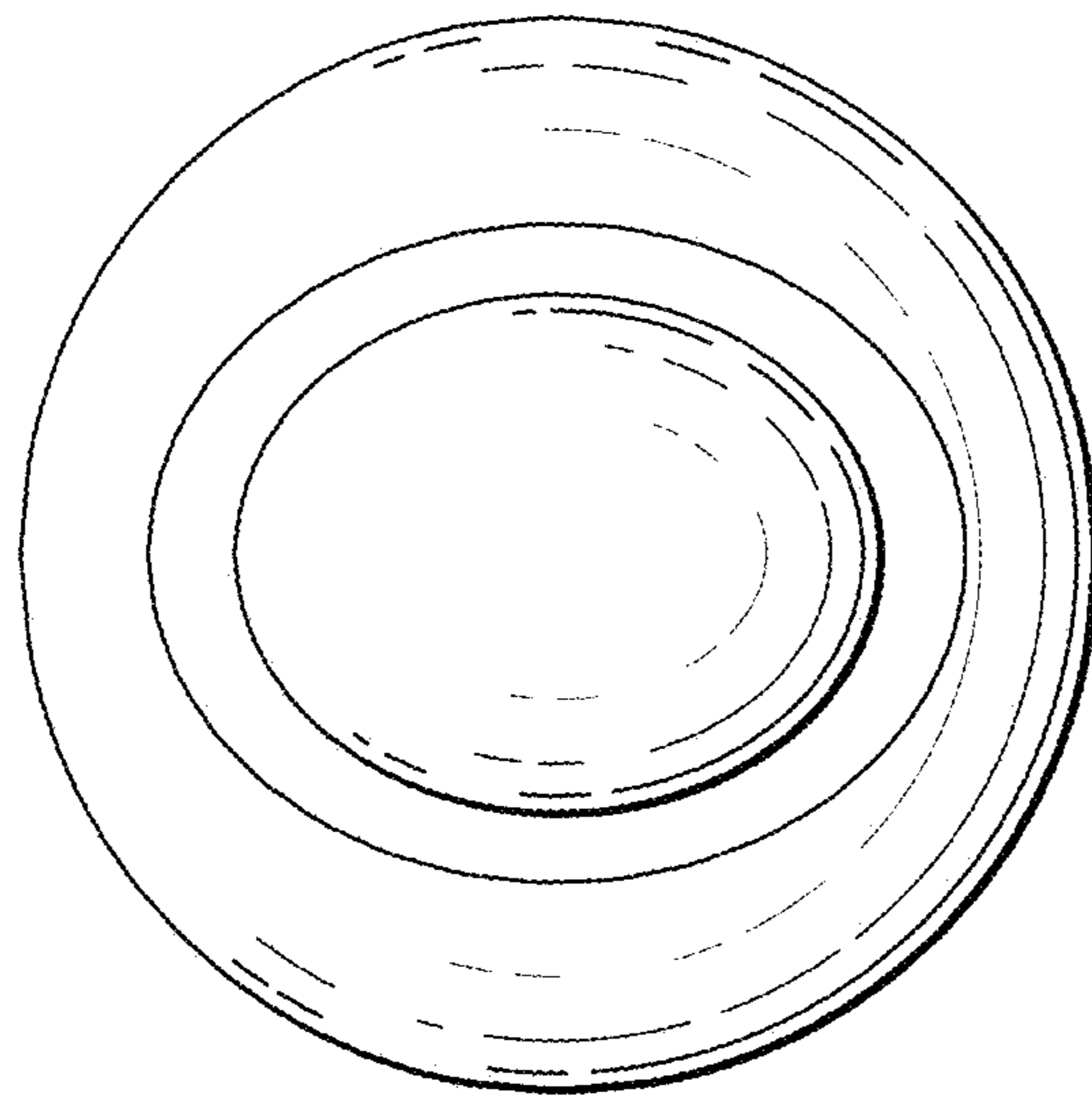


FIG. 6

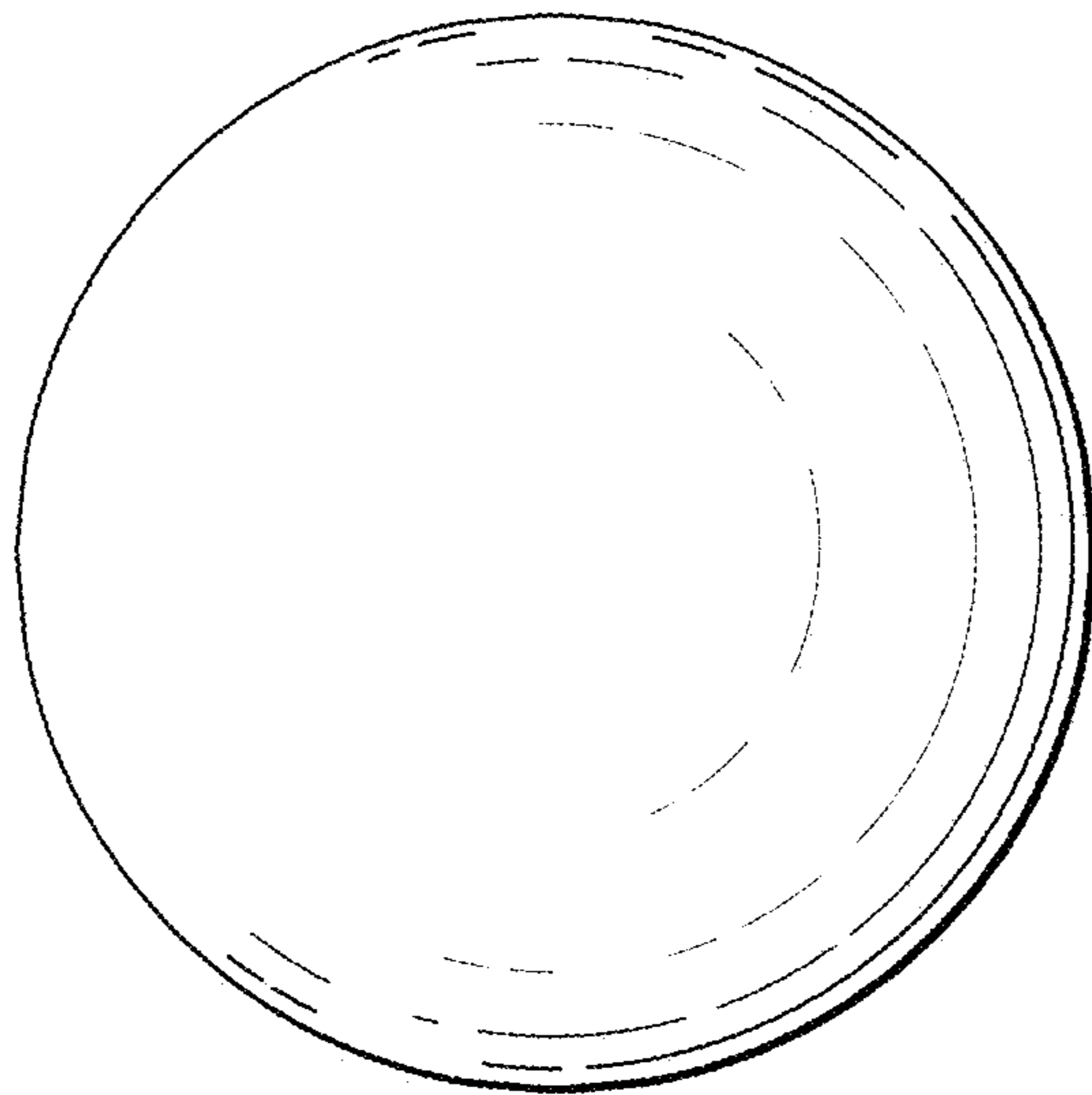


FIG. 7

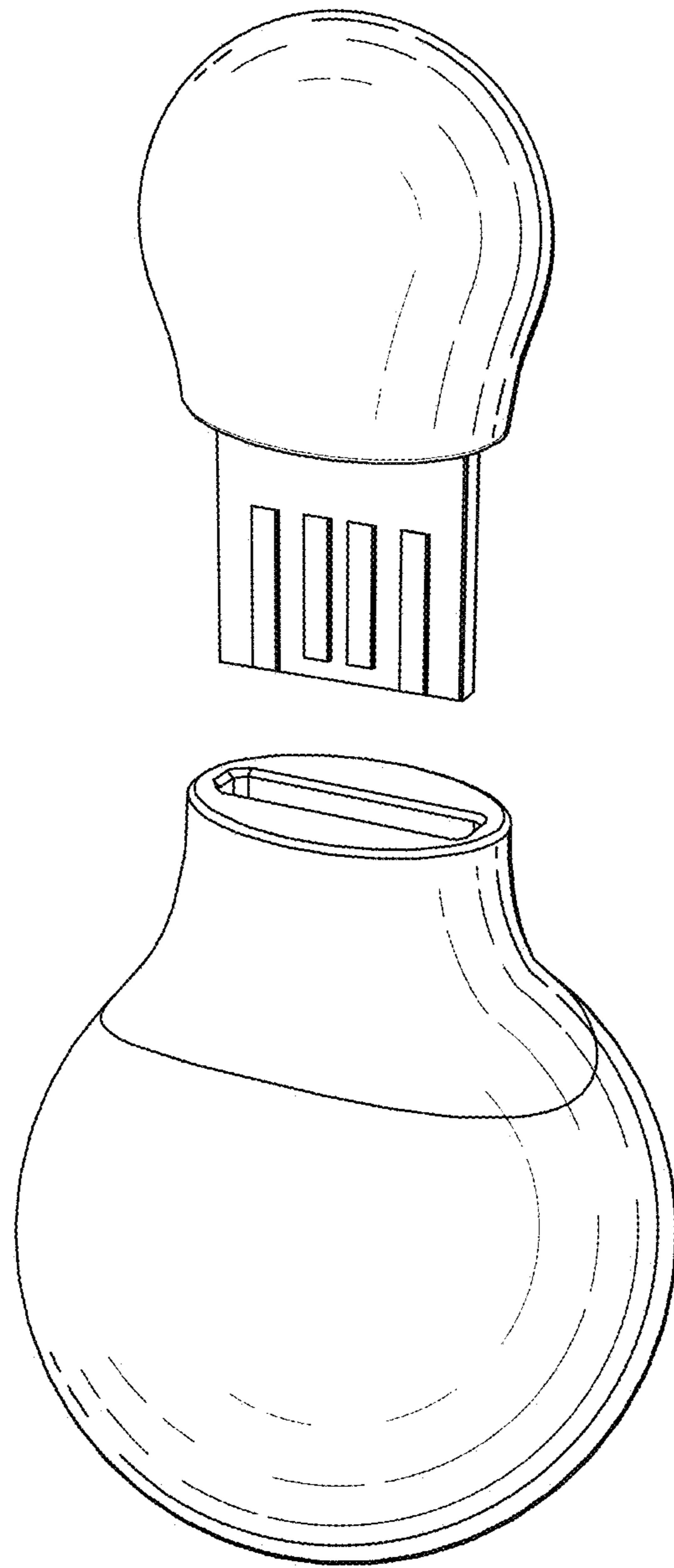


FIG. 8

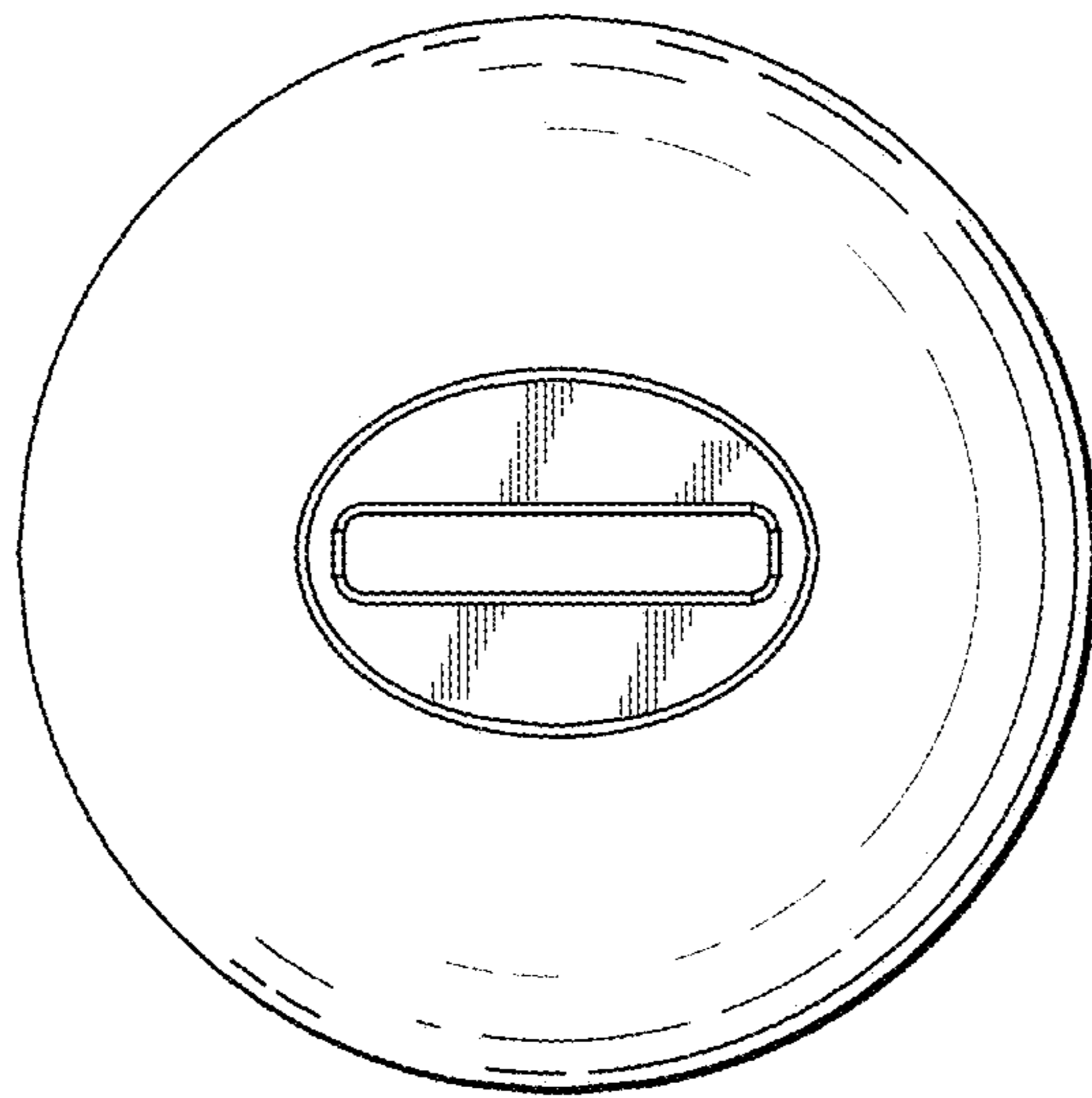


FIG. 9

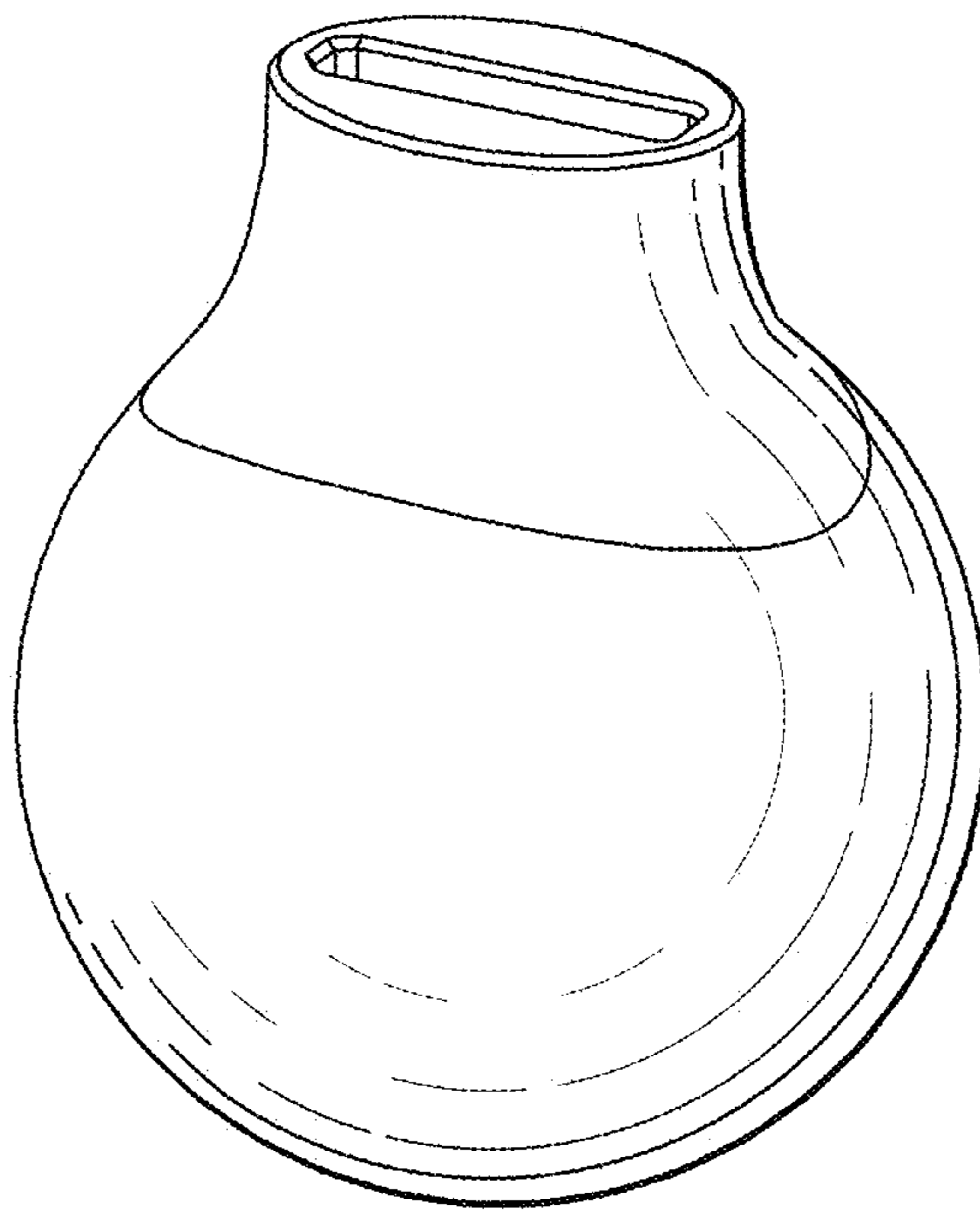


FIG. 10

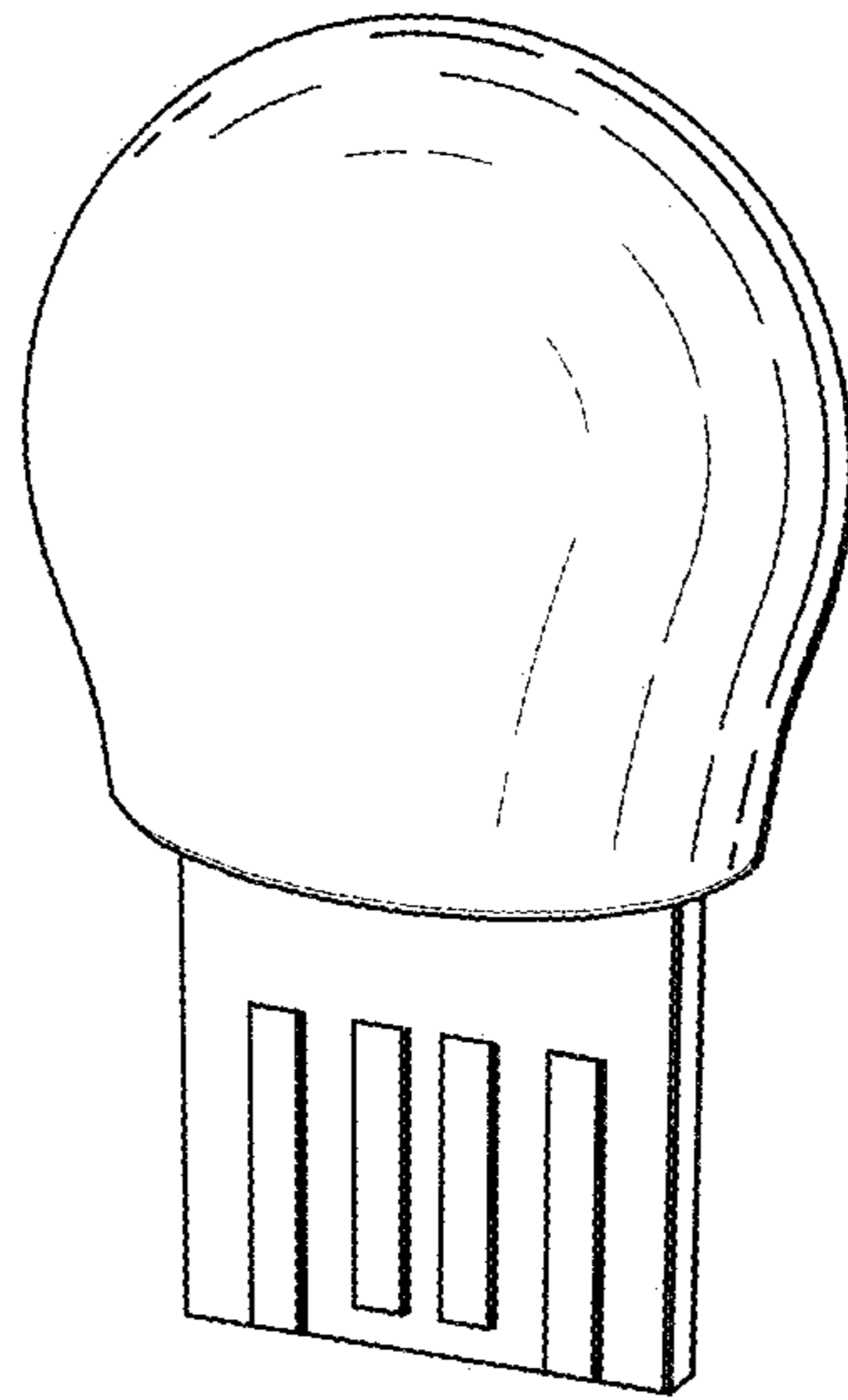


FIG. 11

UNITED STATES PATENT AND TRADEMARK OFFICE
CERTIFICATE OF CORRECTION

PATENT NO. : D687,837 S
APPLICATION NO. : 29/418497
DATED : August 13, 2013
INVENTOR(S) : André

Page 1 of 1

It is certified that error appears in the above-identified patent and that said Letters Patent is hereby corrected as shown below:

On the title page, item [30] Foreign Application Priority Data:
insert --Oct. 18, 2011 (CN) 201130388325.9--

Signed and Sealed this
Nineteenth Day of November, 2013



Teresa Stanek Rea
Deputy Director of the United States Patent and Trademark Office