



US00D687835S

(12) **United States Design Patent**
Gittins

(10) **Patent No.:** **US D687,835 S**
(45) **Date of Patent:** **** Aug. 13, 2013**

(54) **TABLET AND CELL PHONE SUPPORT SYSTEM**

(71) Applicant: **Brian S. Gittins**, Wyoming, MI (US)
(72) Inventor: **Brian S. Gittins**, Wyoming, MI (US)
(**) Term: **14 Years**
(21) Appl. No.: **29/432,513**
(22) Filed: **Sep. 17, 2012**

Related U.S. Application Data

(63) Continuation-in-part of application No. 13/397,149, filed on Feb. 15, 2012.

(51) **LOC (9) Cl.** **08-07**

(52) **U.S. Cl.**
USPC **D14/447**

(58) **Field of Classification Search**
USPC D14/432, 433, 434, 439, 440, 451, D14/452, 239, 217, 224.1, 251, 252, 253, D14/457, 458, 459, 460, 461; D6/406.1, D6/406.2, 406.3, 406.4, 406.5, 406.6, 601; 361/679.06, 679.21, 679.22, 679.24, 679.26, 361/679.27, 679.28, 679.3, 679.55, 679.56, 361/709; 248/917-924, 133, 136, 139, 150, 248/176.1, 188.6; D12/415

See application file for complete search history.

(56) **References Cited**

U.S. PATENT DOCUMENTS

4,192,329 A 3/1980 Swearingen
4,606,524 A 8/1986 Conee
D296,852 S * 7/1988 Buchweitz et al. D6/449
D312,650 S 12/1990 Charrier
D324,515 S * 3/1992 Harden et al. D14/451

5,350,147 A 9/1994 Paganus
D414,166 S * 9/1999 De Paris D14/447
6,330,992 B1 12/2001 Swayhoover et al.
D453,155 S * 1/2002 Michel D14/253
6,439,530 B1 8/2002 Schoenfish et al.
D535,655 S * 1/2007 Araki D14/439
D573,150 S * 7/2008 Sween D14/447
D595,287 S * 6/2009 Nazar D14/251
D621,406 S * 8/2010 Hoehn et al. D14/447
7,819,373 B1 10/2010 Tsai et al.
7,887,018 B2 2/2011 Carnevali
D642,582 S * 8/2011 Largy D14/447
D661,309 S * 6/2012 Murrer et al. D14/447
D666,995 S * 9/2012 TerMeer D14/217
D674,381 S * 1/2013 Ma D14/253
D677,669 S * 3/2013 Liu D14/447

* cited by examiner

Primary Examiner — Angela J Lee

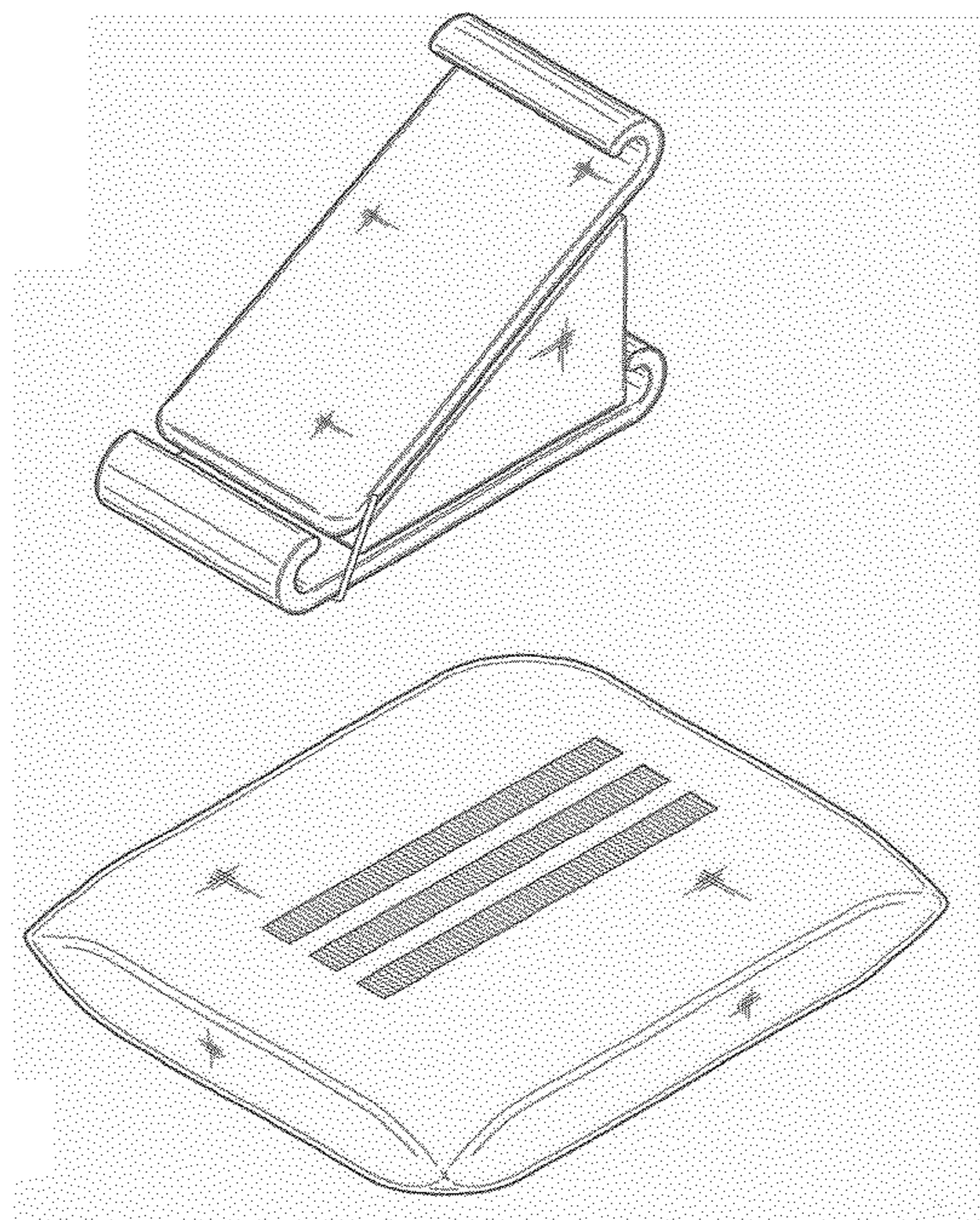
(57) **CLAIM**

The ornamental design for a tablet and cell phone support system, as shown and described.

DESCRIPTION

FIG. 1 is an exploded perspective view of a tablet and cell phone support showing my new design;
FIG. 2 is an exploded side view; opposite side view is a mirror image thereof;
FIG. 3 is an exploded back view thereof;
FIG. 4 is an exploded front view thereof;
FIG. 5 an exploded top vies view thereof, where the shaded surfaces are complementary hook and loop surfaces;
FIG. 6 is an exploded bottom view thereof, where the shaded surfaces are complementary hook and loop surface; and,
FIG. 7 is a perspective view of a tablet and cell phone support system showing my new design.

1 Claim, 6 Drawing Sheets



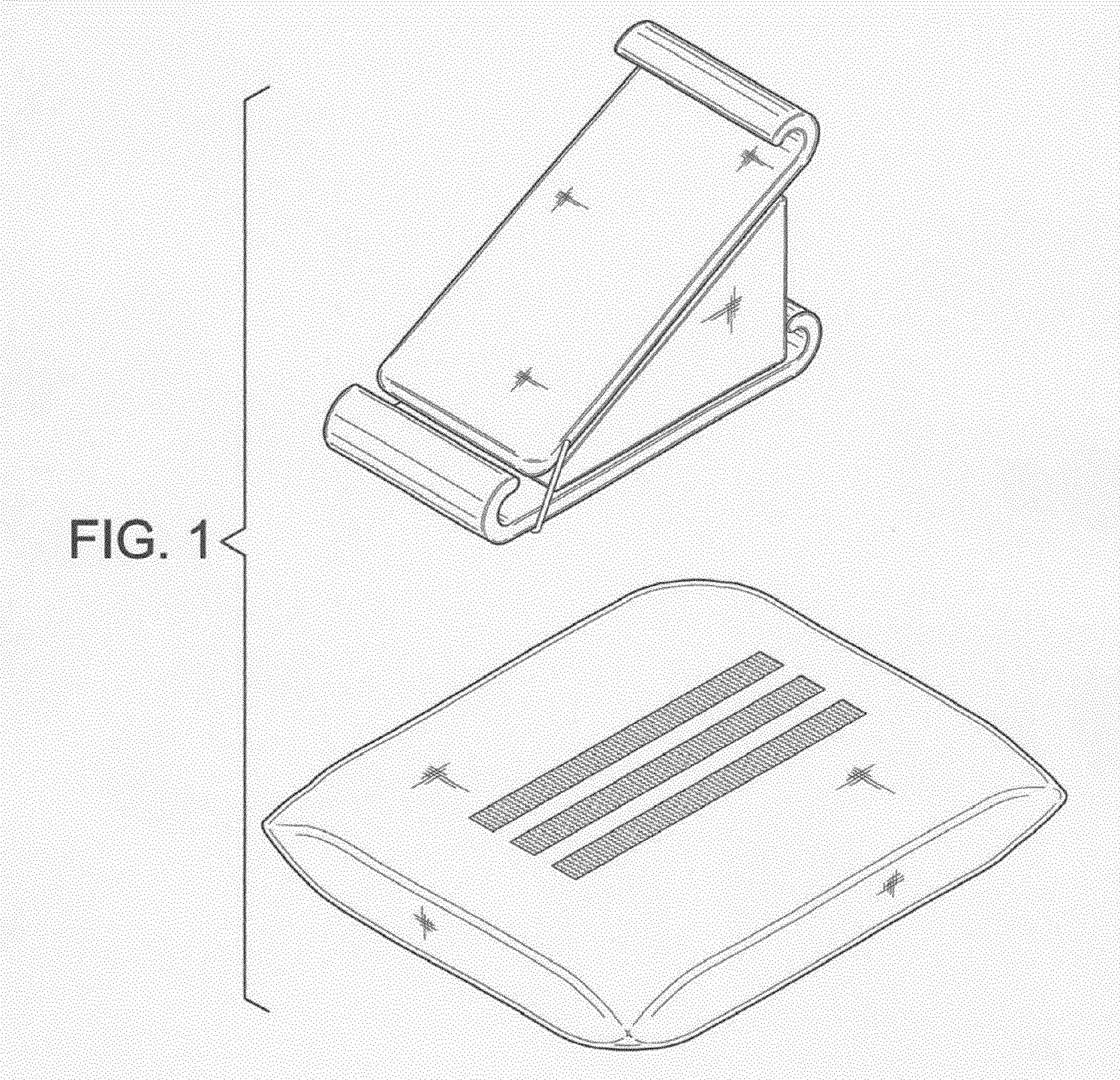
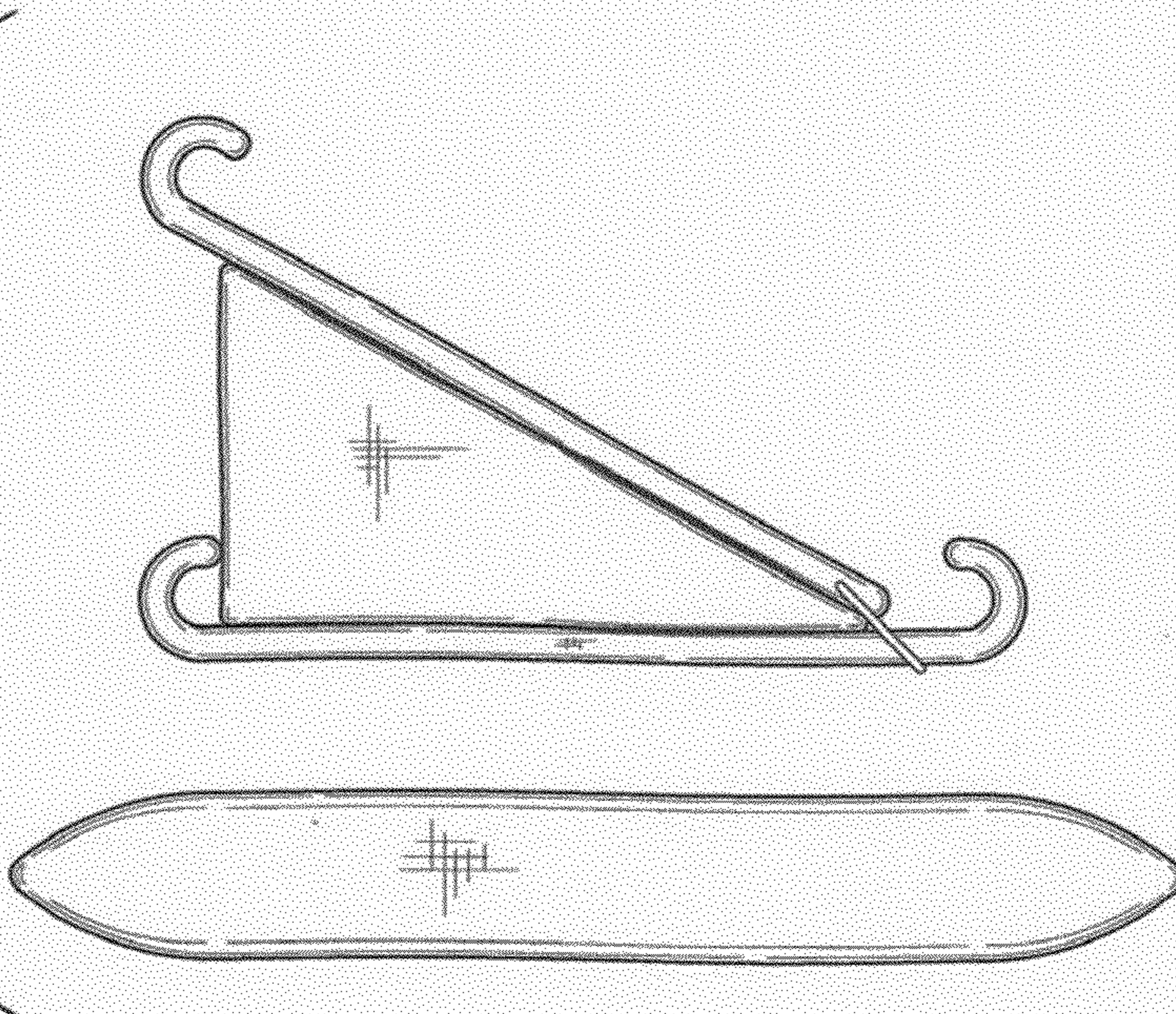


FIG. 2



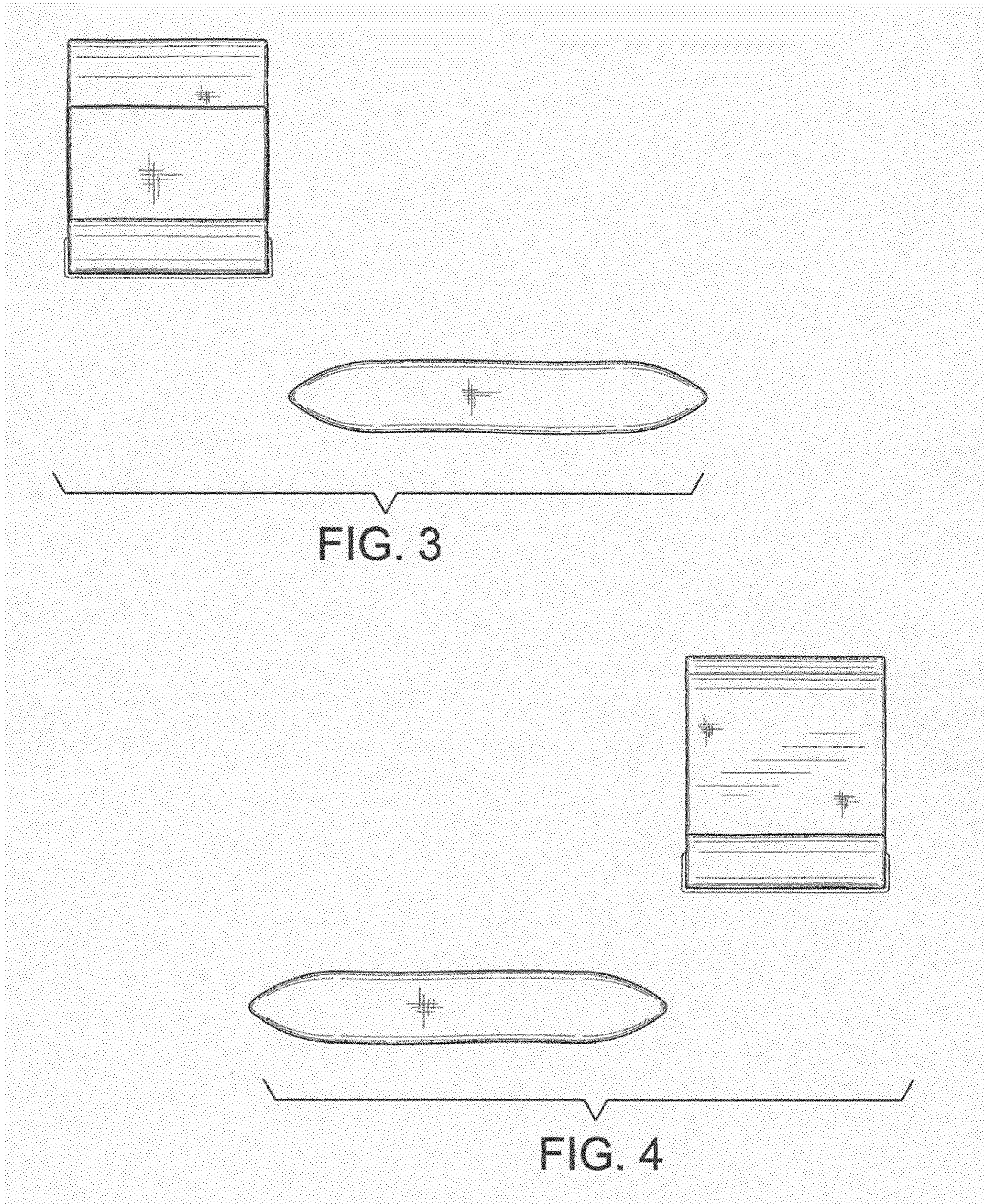


FIG. 5

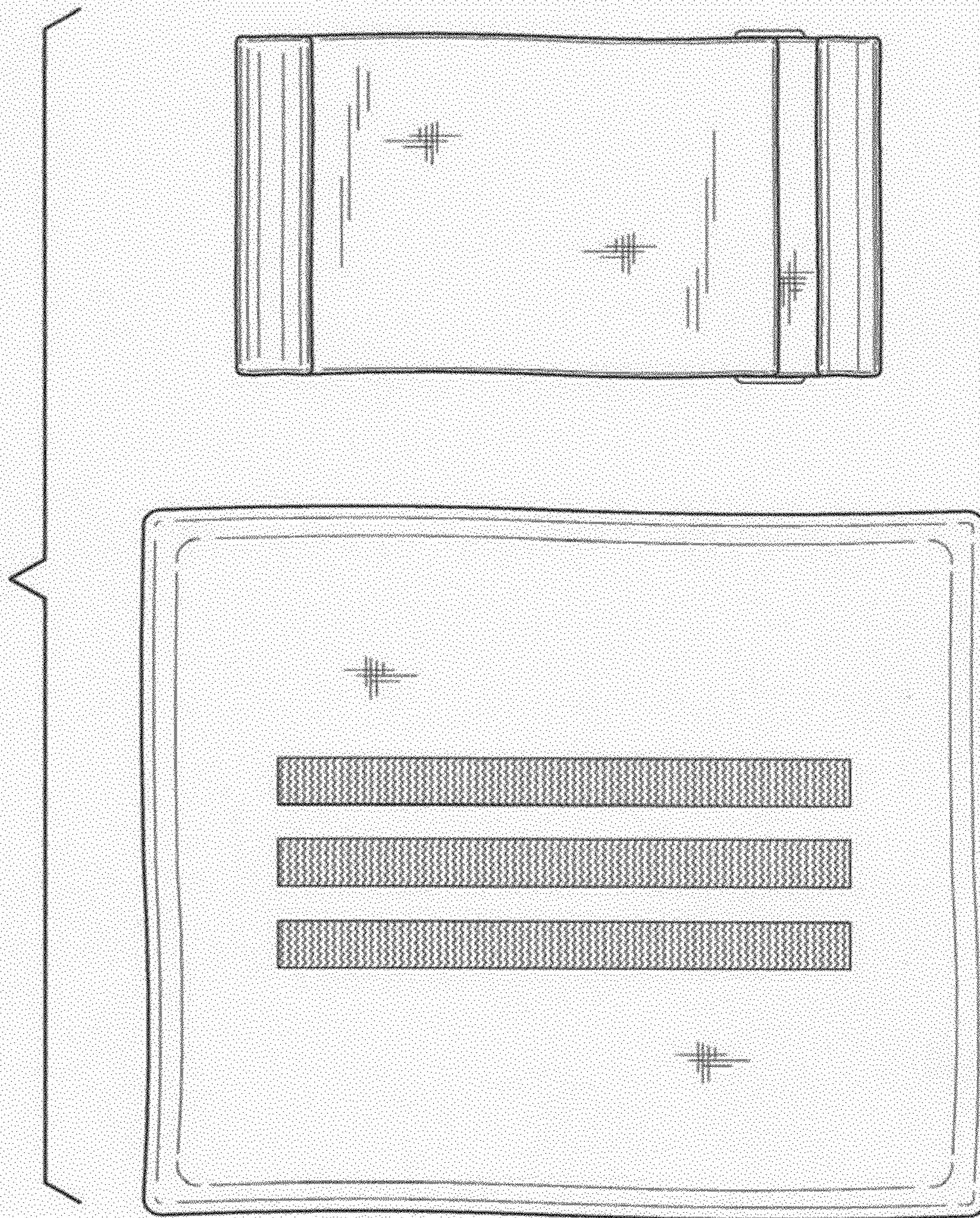
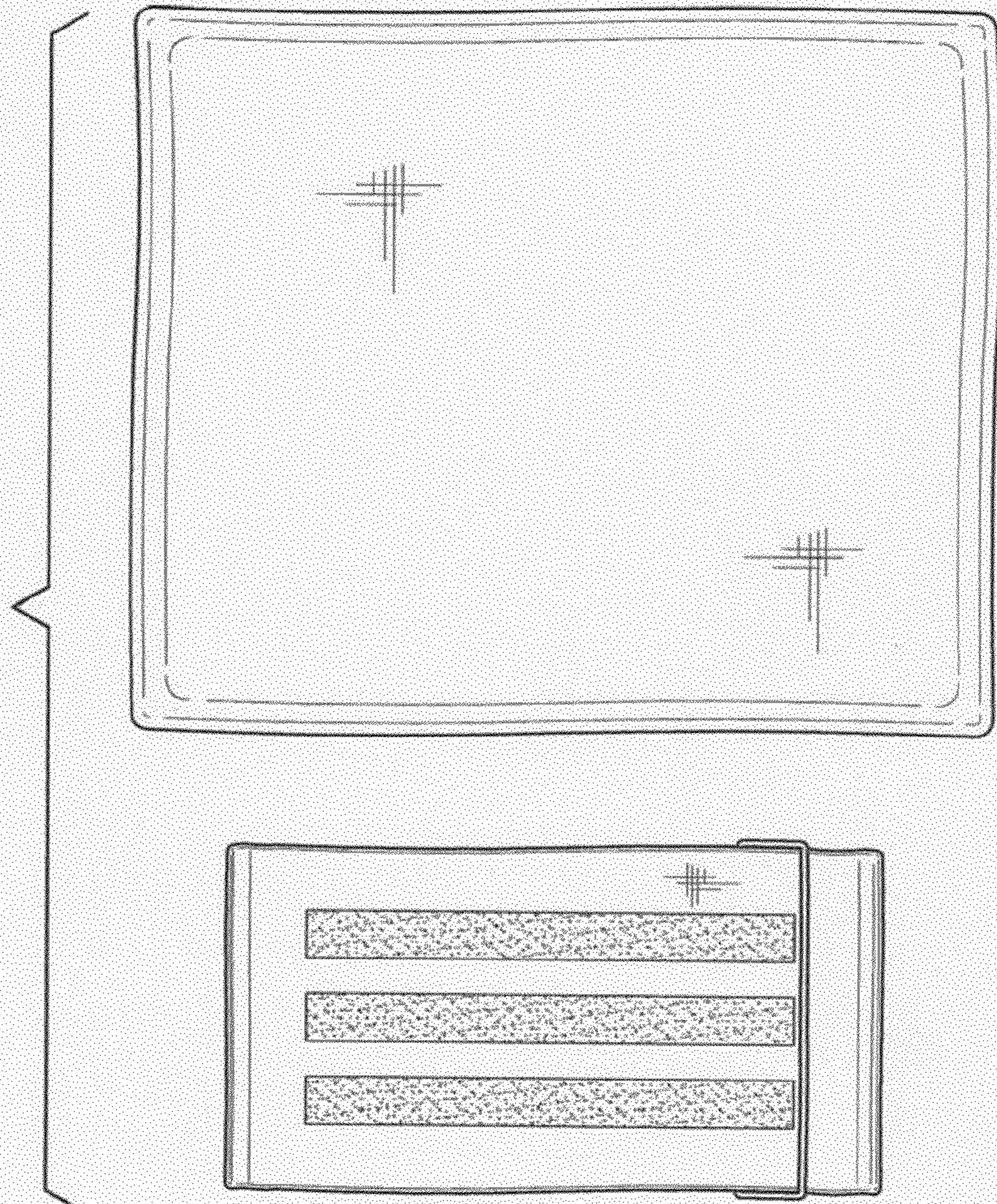


FIG. 6



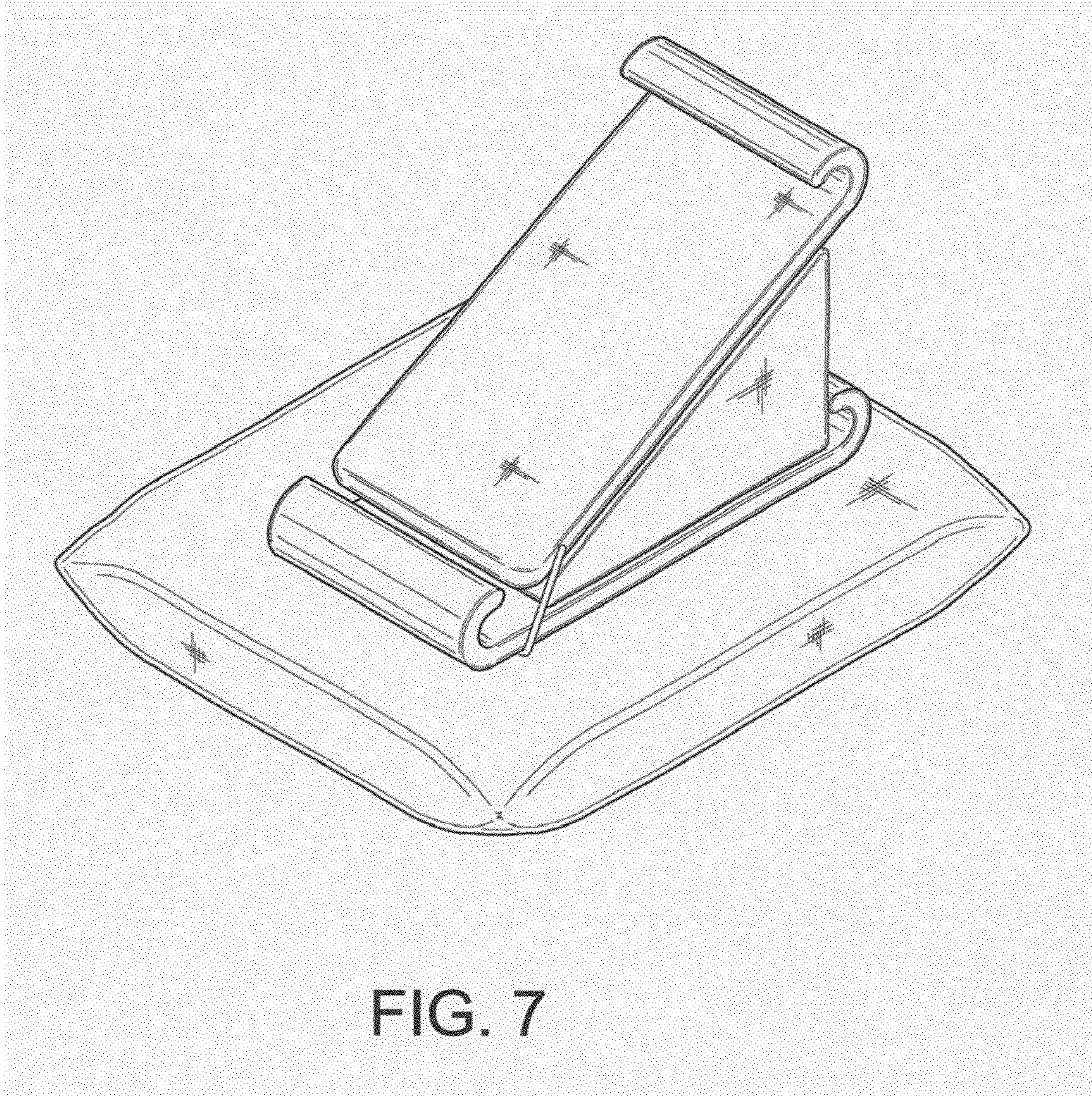


FIG. 7