



US00D687832S

(12) **United States Design Patent**
Edwards et al.

(10) **Patent No.:** **US D687,832 S**
(45) **Date of Patent:** **** Aug. 13, 2013**

(54) **STAND FOR TABLET COMPUTER**

(75) Inventors: **Troy Edwards**, Los Gatos, CA (US);
Lukas Skoog, San Francisco, CA (US);
Amish Babu, Mountain View, CA (US);
Robert Brunner, San Francisco, CA
(US); **Howard Nuk**, San Francisco, CA
(US); **Timothy Leong Yew Tan**, San
Francisco, CA (US); **Jonas Lagerstedt**,
San Francisco, CA (US)

(73) Assignee: **Square, Inc.**, San Francisco, CA (US)

(**) Term: **14 Years**

(21) Appl. No.: **29/418,631**

(22) Filed: **Apr. 18, 2012**

(51) **LOC (9) Cl.** **08-07**

(52) **U.S. Cl.**
USPC **D14/447**

(58) **Field of Classification Search**
USPC D14/447, 448, 451, 452, 440, 432,
D14/434, 439, 457, 238.1, 217, 251, 252,
D14/253, 239, 250; D6/406.3, 406.4, 406.5,
D6/406.6; 361/679.09, 679.26, 679.27, 679.28,
361/679.29, 679.3, 679.55, 679.56;
248/917-924, 133, 136, 139, 150, 176.1,
248/188.6, 288.31; D13/108

See application file for complete search history.

(56) **References Cited**

U.S. PATENT DOCUMENTS

D557,259 S * 12/2007 Hirsch D14/217

D639,286 S * 6/2011 Mohoney D14/250
D650,783 S * 12/2011 Ausfeld et al. D14/434
D654,077 S * 2/2012 Radin et al. D14/434
D658,168 S * 4/2012 Werth D14/253
D660,305 S * 5/2012 Ho et al. D14/447
D660,840 S * 5/2012 Chen D14/434
D666,619 S * 9/2012 May D14/447
8,282,060 B2 * 10/2012 Fan 248/291.1
D670,703 S * 11/2012 Hasbrook et al. D14/447
D672,353 S * 12/2012 Liu D14/440
2012/0075789 A1 * 3/2012 DeCamp et al. 361/679.26
2012/0106078 A1 * 5/2012 Probst et al. 361/679.56

* cited by examiner

Primary Examiner — Angela J Lee

(74) *Attorney, Agent, or Firm* — Fish & Richardson P.C.

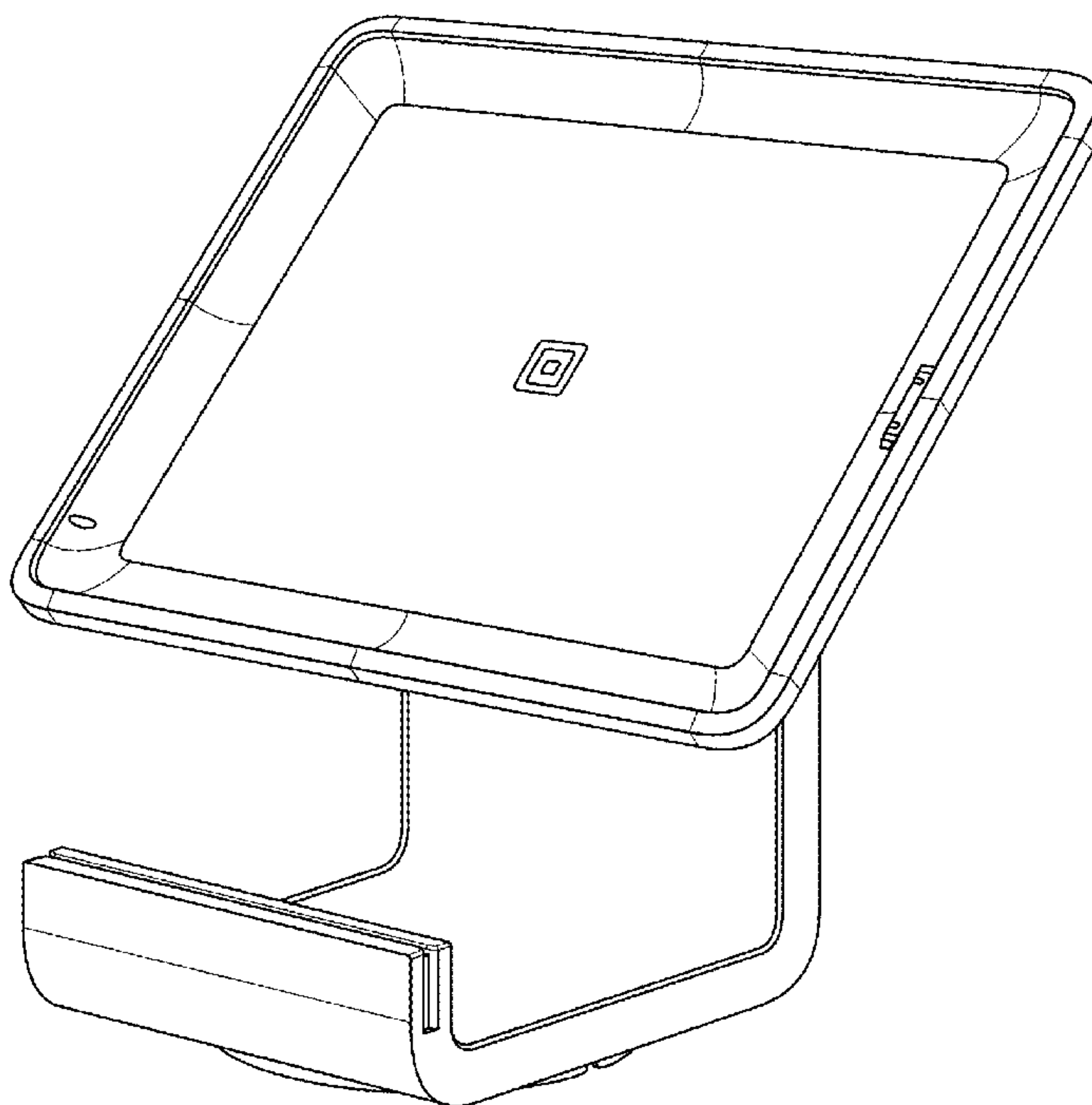
(57) **CLAIM**

The ornamental design for a stand for tablet computer, as shown and described.

DESCRIPTION

FIG. 1 is a front perspective view of the stand for tablet computer showing our new design;
FIG. 2 is a back perspective view thereof;
FIG. 3 is a front view thereof;
FIG. 4 is a back view thereof;
FIG. 5 is a right side view thereof;
FIG. 6 is a left side view thereof;
FIG. 7 is a top view thereof; and,
FIG. 8 is a bottom view thereof.

1 Claim, 5 Drawing Sheets



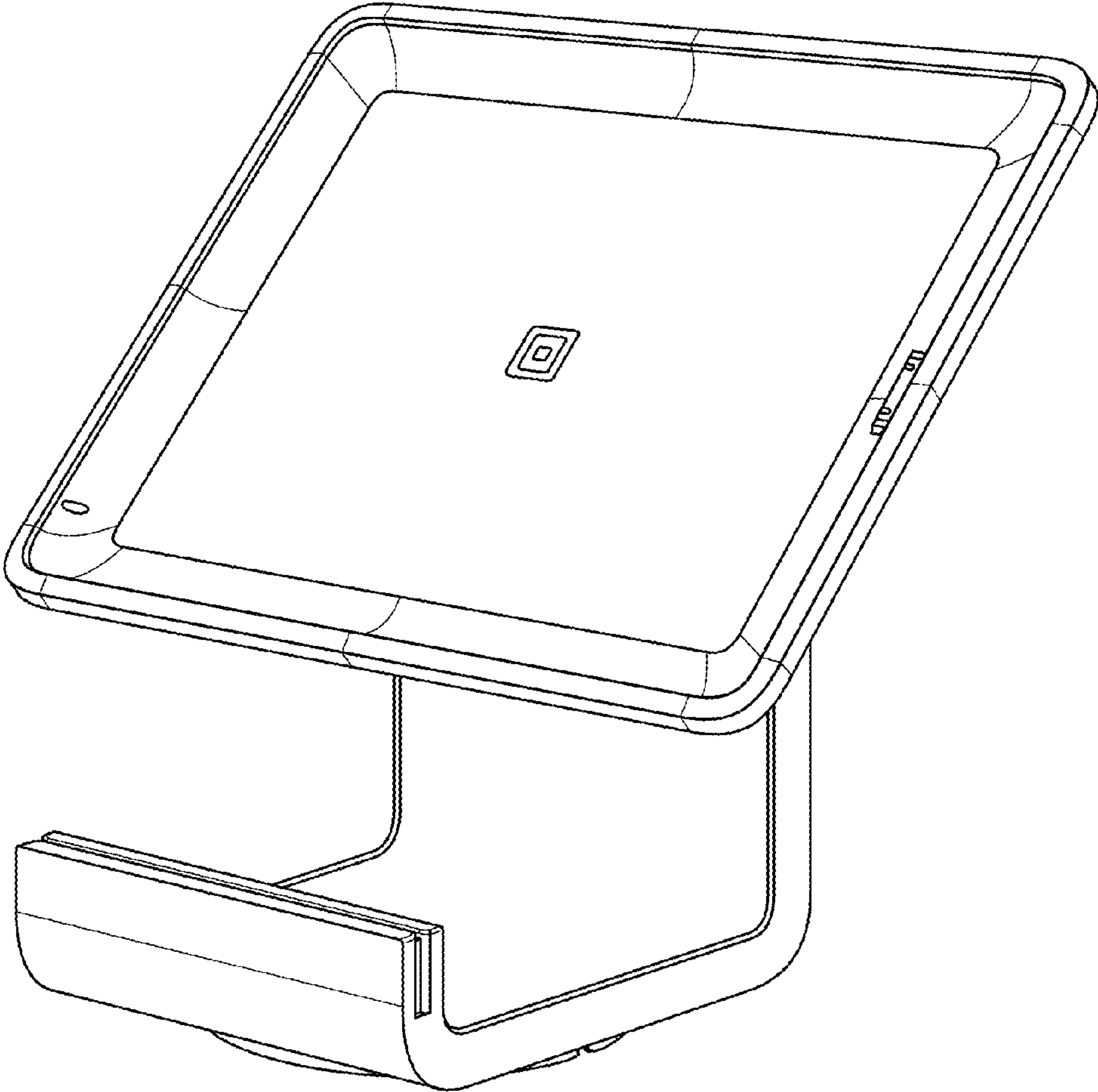


FIG. 1

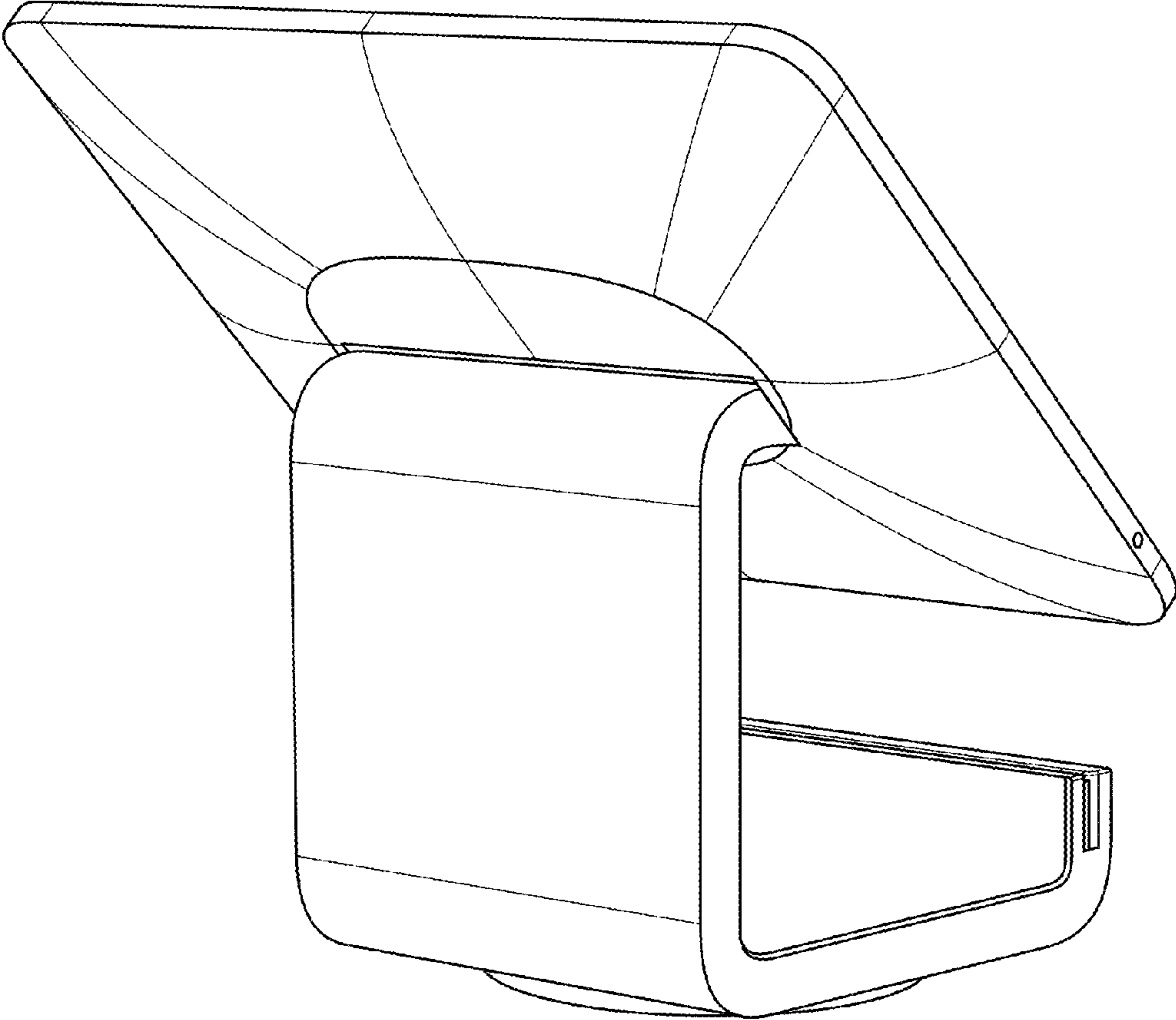


FIG. 2

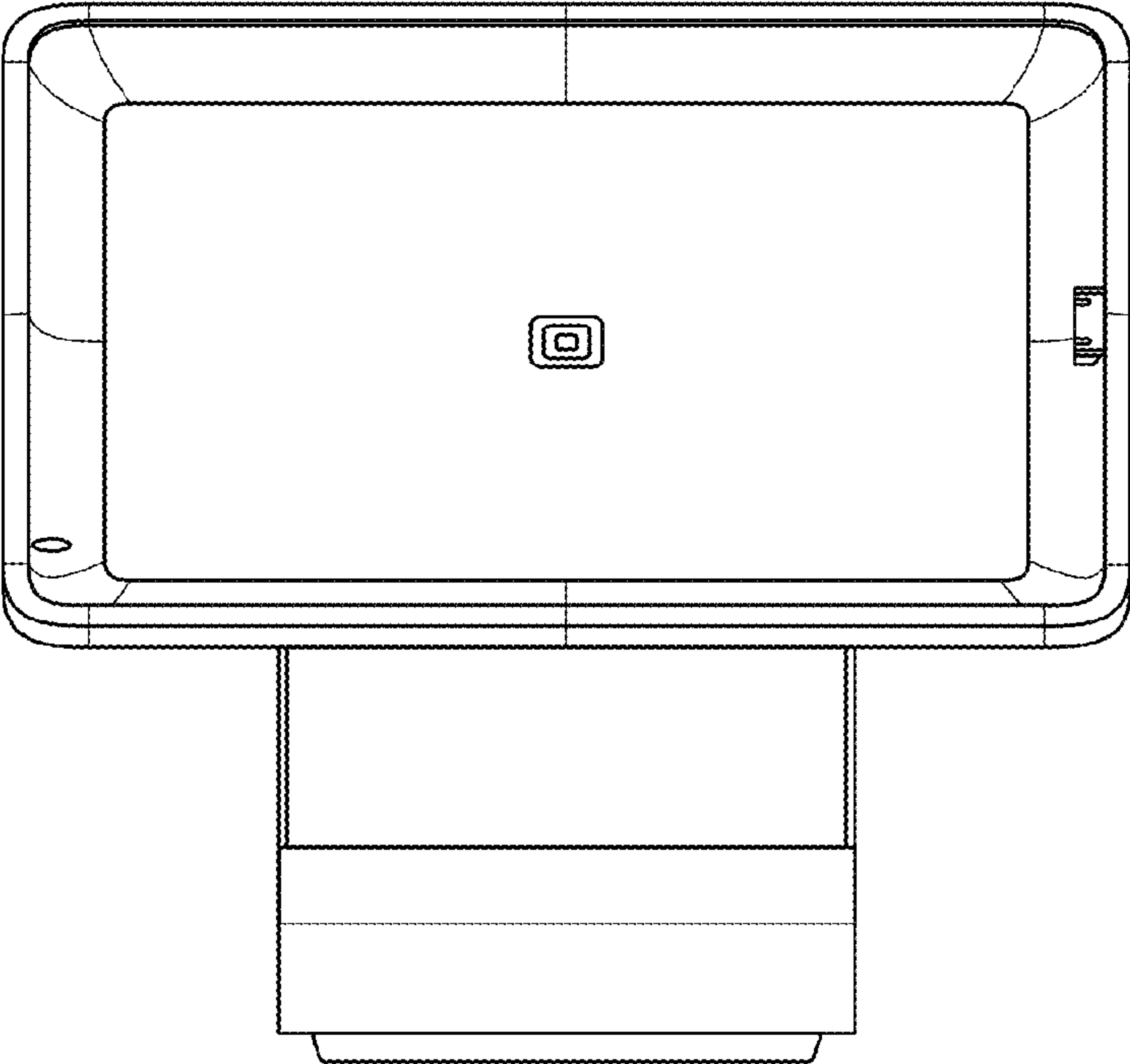


FIG. 3

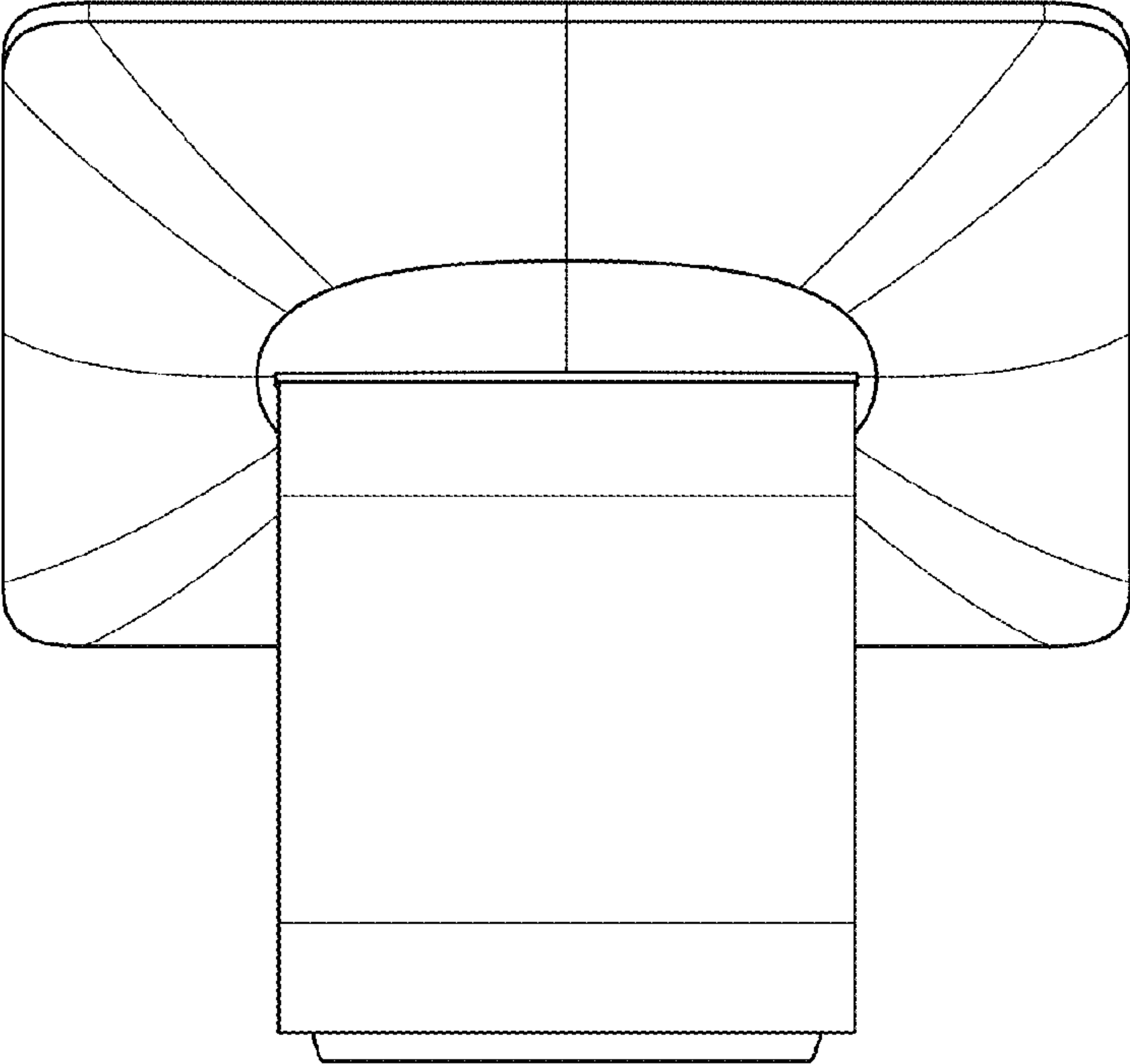


FIG. 4

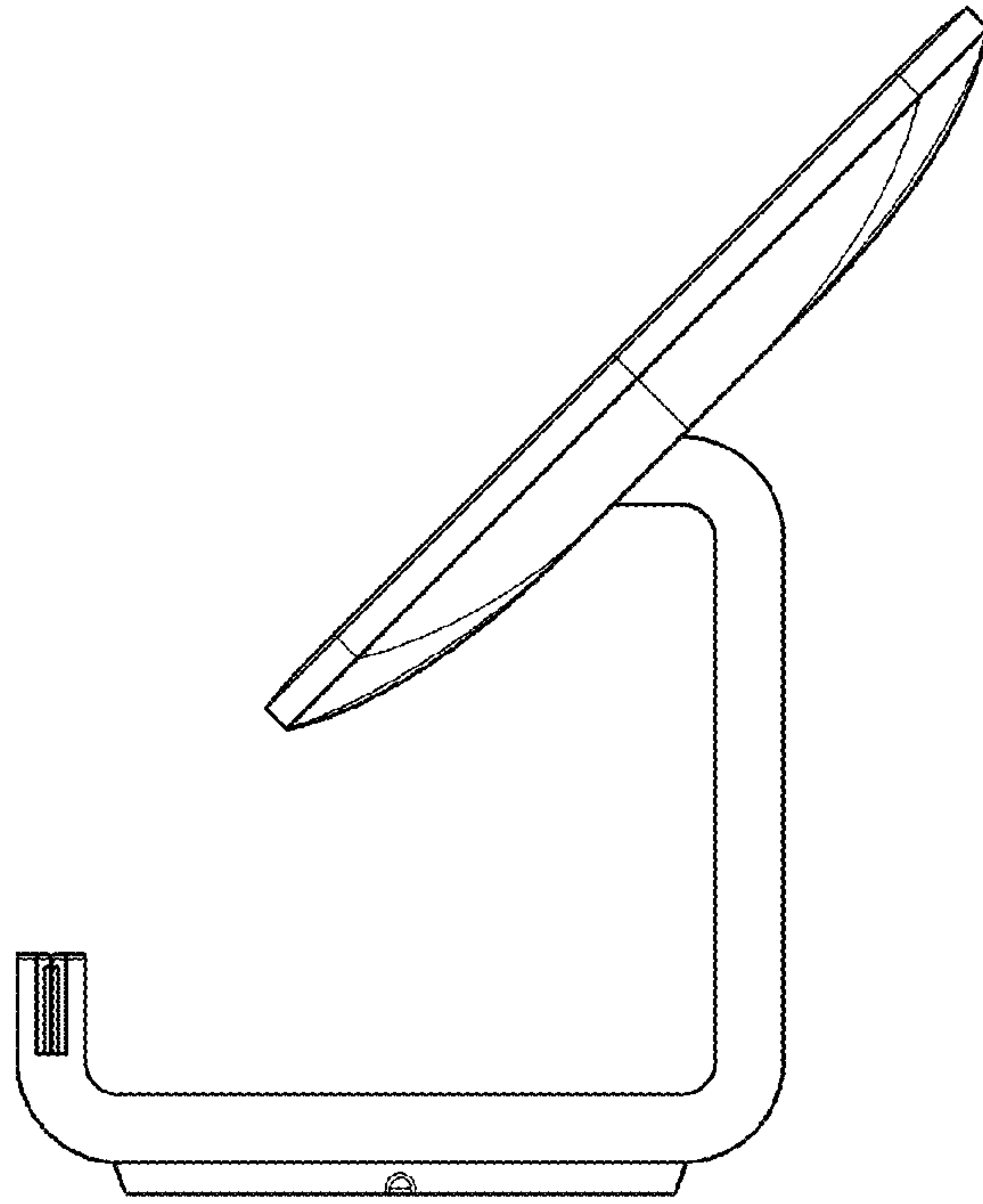


FIG. 5

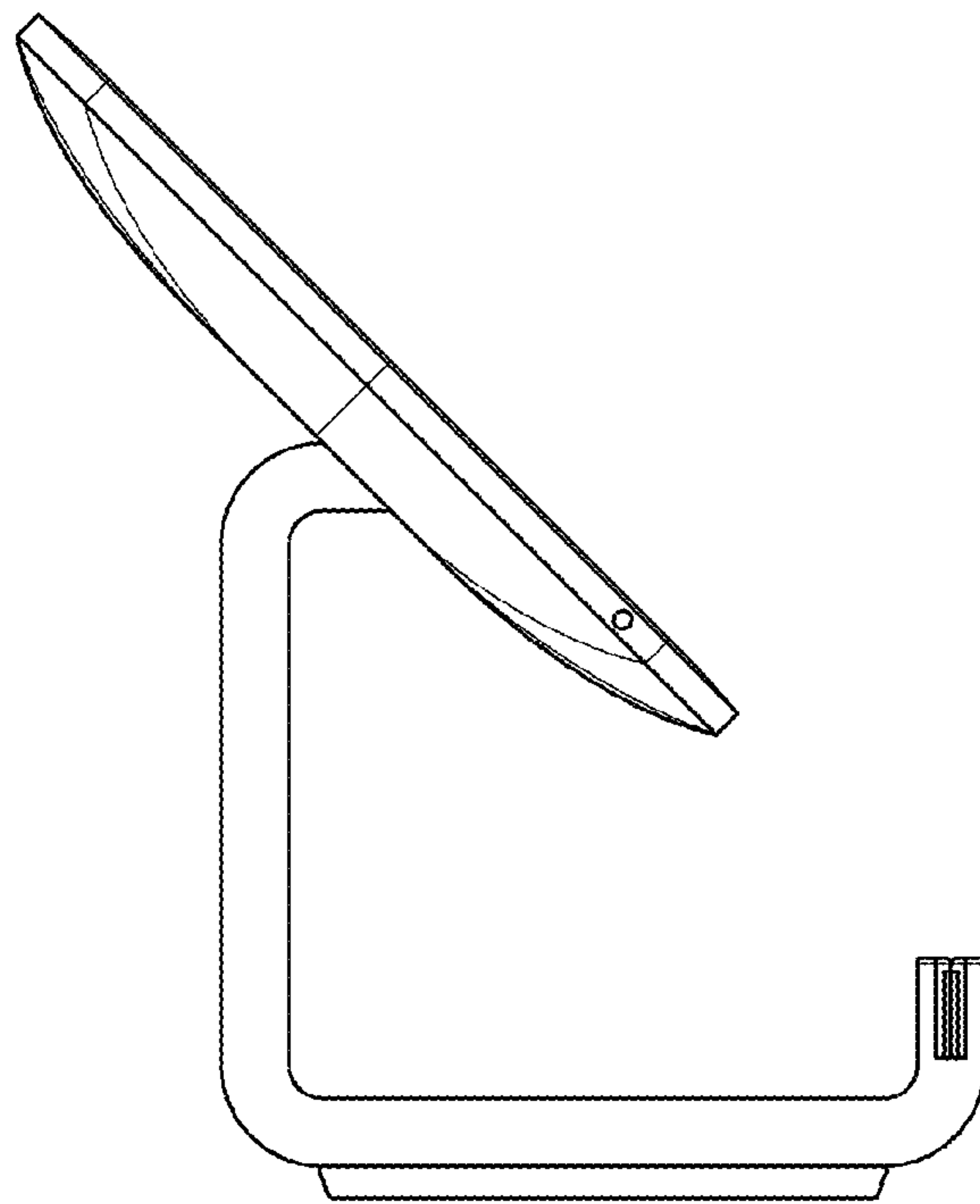


FIG. 6

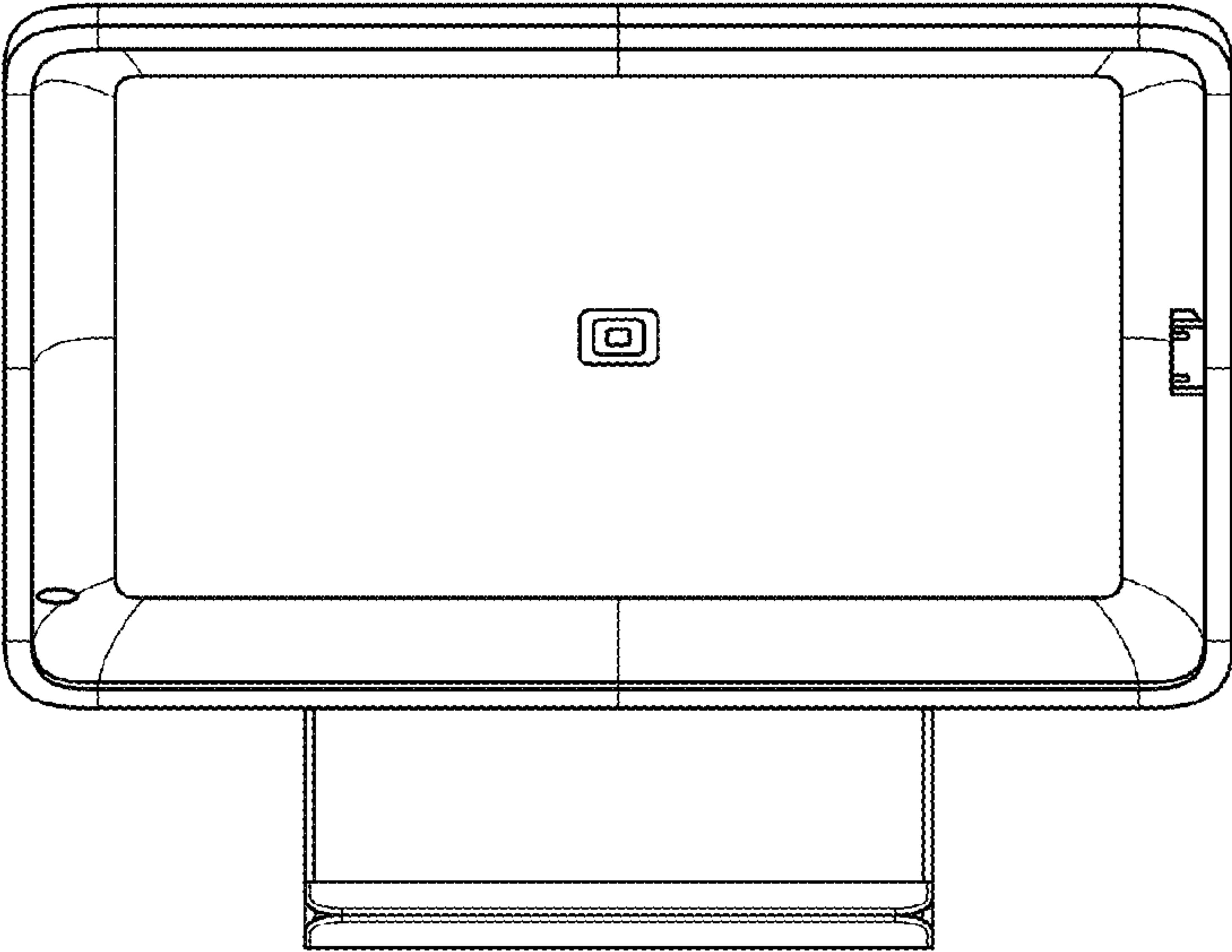


FIG. 7

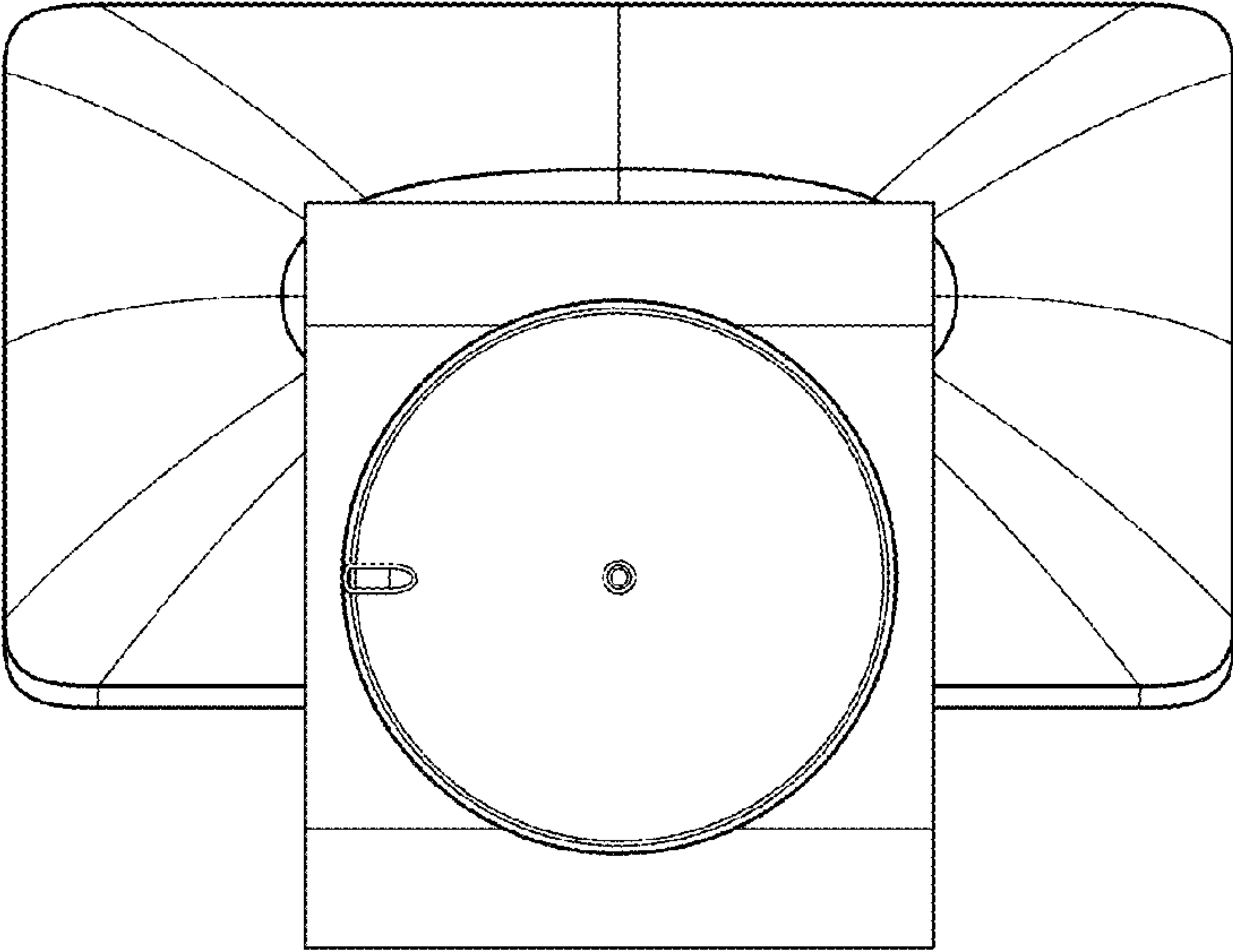


FIG. 8