



US00D687831S

(12) **United States Design Patent**
Kim

(10) **Patent No.:** **US D687,831 S**

(45) **Date of Patent:** **** Aug. 13, 2013**

(54) **NOTEBOOK COMPUTER**

(75) Inventor: **Tae-Yun Kim**, Ulsan (KR)

(73) Assignee: **Samsung Electronics Co., Ltd.**,
Suwon-Si (KR)

(**) Term: **14 Years**

(21) Appl. No.: **29/422,779**

(22) Filed: **May 23, 2012**

(30) **Foreign Application Priority Data**

Feb. 12, 2011 (KR) 30-2011-0051138

(51) **LOC (9) Cl.** **14-02**

(52) **U.S. Cl.**
USPC **D14/439**

(58) **Field of Classification Search**
USPC D14/341–347, 424, 425, 432–453,
D14/464, 468, 469, 471, 496, 511, 138 AA,
D14/138 AD, 138 C, 138 G, 203.1–203.8,
D14/217, 238.1, 248, 250, 257, 299;
361/679.02, 679.31, 679.5, 690, 694, 679.23,
361/801, 802; 312/332.1, 334.1; 455/556.2,
455/575.1, 575.3–575.5, 575.8, 90.3

See application file for complete search history.

(56) **References Cited**

U.S. PATENT DOCUMENTS

D284,084 S	6/1986	Ferrara, Jr.
D306,583 S	3/1990	Krolopp et al.
D332,944 S	2/1993	Kim
D333,574 S	3/1993	Ackeret
D334,738 S	4/1993	Kim
D335,870 S	5/1993	Yun
D336,465 S	6/1993	Kim
D337,569 S	7/1993	Kando
D338,457 S	8/1993	Kim
D348,442 S	7/1994	Yoon

D389,129 S *	1/1998	Guintoli	D14/454
6,067,224 A	5/2000	Nobuchi		
D430,869 S *	9/2000	Lee et al.	D14/318
D433,024 S *	10/2000	Oross	D14/439
D434,773 S *	12/2000	Suzuki	D14/439
D449,307 S *	10/2001	Amano et al.	D14/455
D456,025 S *	4/2002	Komuta et al.	D14/439

(Continued)

FOREIGN PATENT DOCUMENTS

KR	3005506890000	1/2010
KR	3005544080000	3/2010

(Continued)

OTHER PUBLICATIONS

U.S. Appl. No. 29/403,114, Applicant: Naoto Fukusawa, et al., filed Sep. 30, 2011 entitled Notebook Computer.

(Continued)

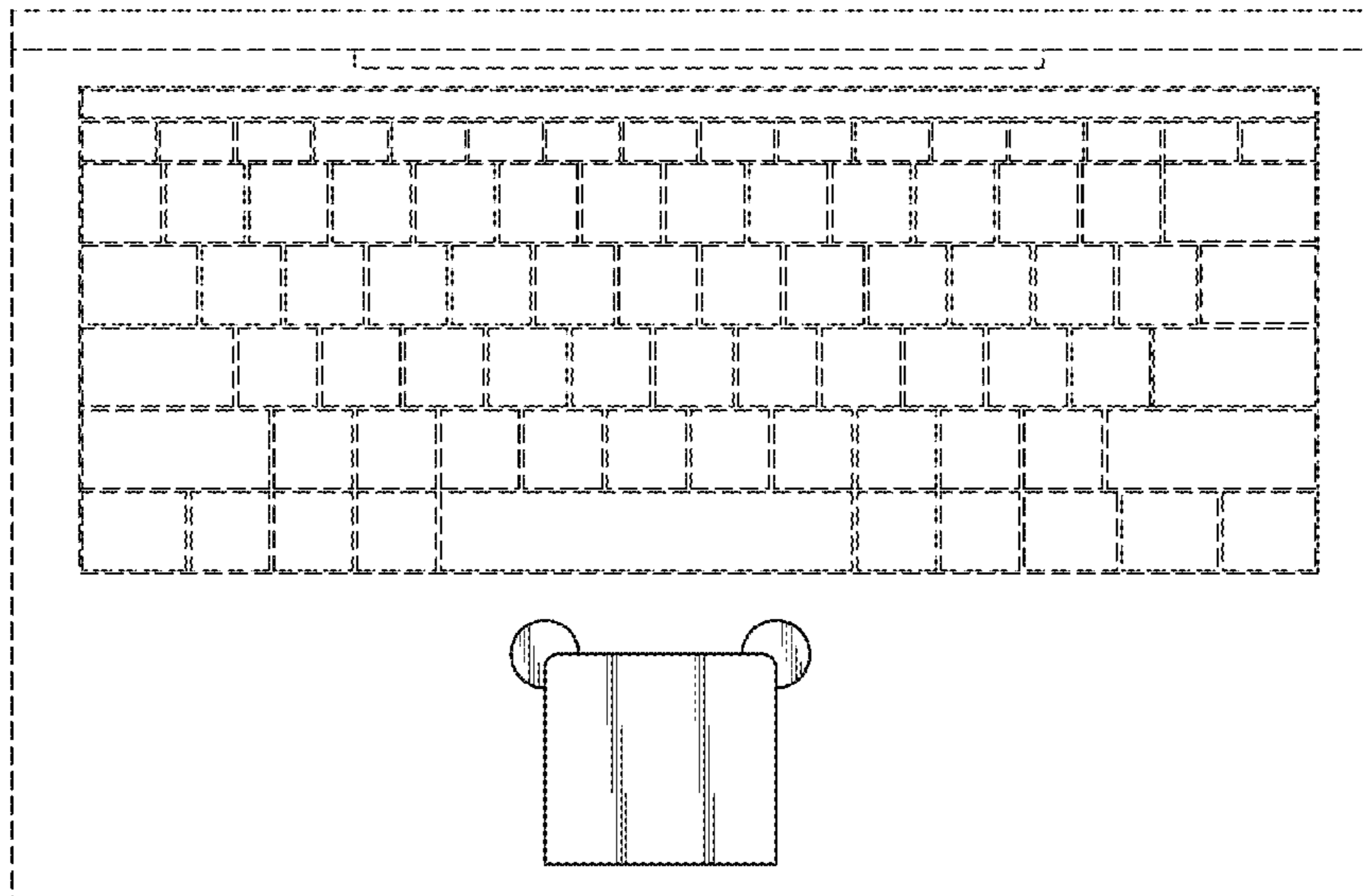
Primary Examiner — Austin Murphy
(74) *Attorney, Agent, or Firm* — Wood, Herron & Evans, LLP

(57) **CLAIM**
The ornamental design for a notebook computer, as shown and described.

DESCRIPTION

FIG. 1 is a top front perspective view of a notebook computer showing my new design;
FIG. 2 is a front elevational view thereof;
FIG. 3 is a rear elevational view thereof;
FIG. 4 is a left side elevational view thereof;
FIG. 5 is a right side elevational view thereof;
FIG. 6 is a top plan view thereof; and,
FIG. 7 is a bottom plan view thereof.
The broken lines depict environmental subject matter only and form no part of the claimed design.

1 Claim, 4 Drawing Sheets



(56)

References Cited

U.S. PATENT DOCUMENTS

D456,815 S * 5/2002 Suzuki D14/439
 D470,854 S * 2/2003 Jones et al. D14/456
 6,519,139 B2 2/2003 Kambayashi
 D471,201 S * 3/2003 Tsukuda D14/455
 D473,564 S * 4/2003 Yano D14/455
 D478,089 S * 8/2003 Yokota D14/455
 D480,089 S * 9/2003 Skinner et al. D14/454
 D483,359 S * 12/2003 Lin et al. D14/343
 D492,678 S 7/2004 Kim et al.
 6,822,640 B2 * 11/2004 Derocher 345/173
 6,830,394 B2 * 12/2004 Felcman et al. 400/472
 D500,991 S 1/2005 Niitsu
 D504,889 S 5/2005 Andre et al.
 6,972,946 B2 12/2005 Hamada et al.
 7,012,802 B2 3/2006 Nakajima et al.
 7,015,897 B2 * 3/2006 Tsao 345/168
 D521,015 S * 5/2006 Hayes et al. D14/454
 D523,010 S 6/2006 Paek et al.
 D523,431 S 6/2006 Yoon
 D523,851 S 6/2006 Jeong et al.
 D523,852 S 6/2006 Kim et al.
 D524,306 S 7/2006 Yun et al.
 D524,307 S 7/2006 Kim et al.
 D532,791 S 11/2006 Kim
 D535,652 S 1/2007 Lee et al.
 D541,289 S * 4/2007 Ping D14/455
 D547,309 S 7/2007 Yoon
 D547,310 S 7/2007 Yoon
 D556,192 S 11/2007 Jeong et al.
 D560,704 S * 1/2008 Naito et al. D16/219
 D562,827 S * 2/2008 Dongen et al. D14/439
 D563,804 S 3/2008 Kimura et al.
 D565,074 S * 3/2008 Shimobayashi D16/219
 D567,236 S 4/2008 Yoon
 D577,012 S * 9/2008 Gralewski et al. D14/315
 D578,523 S 10/2008 Yoon
 D578,524 S 10/2008 Yoon
 D578,525 S 10/2008 Yoon
 D579,930 S 11/2008 Maskatia
 D580,432 S 11/2008 Yun et al.
 D584,738 S 1/2009 Kim et al.
 D586,343 S 2/2009 Lee et al.
 D586,796 S 2/2009 Lee et al.
 D586,797 S 2/2009 Kawase et al.
 D587,701 S 3/2009 Yoon
 D590,374 S 4/2009 Madonna et al.
 D592,214 S 5/2009 Bradford
 D595,297 S * 6/2009 Morishita et al. D14/439
 D596,633 S 7/2009 Kawase et al.
 D596,638 S * 7/2009 Morishita et al. D14/439
 D602,014 S 10/2009 Andre et al.
 D602,487 S 10/2009 Maskatia
 D603,391 S 11/2009 Song et al.
 D603,392 S 11/2009 Jeong et al.
 D603,393 S 11/2009 Paek
 D603,394 S 11/2009 Lee
 D603,395 S 11/2009 Hong et al.
 D603,692 S 11/2009 Boyd
 D603,861 S 11/2009 Hong et al.
 D605,626 S 12/2009 Park
 D606,067 S 12/2009 Yoon
 D606,068 S 12/2009 Hong et al.
 D606,069 S 12/2009 Heck et al.
 D606,070 S 12/2009 Heck et al.
 D606,534 S 12/2009 Hong et al.
 D608,777 S 1/2010 Yoon
 D610,582 S 2/2010 Sugitani et al.
 D611,364 S 3/2010 Lenz et al.
 D611,468 S 3/2010 Yun et al.
 D613,510 S 4/2010 Tzeng et al.
 D613,961 S 4/2010 Lin
 D614,614 S 4/2010 Yoon
 D614,615 S 4/2010 Yoon
 D617,793 S 6/2010 Chiang et al.
 D622,268 S 8/2010 Hong et al.

D622,270 S 8/2010 Andre et al.
 D626,543 S 11/2010 Hagen
 D626,546 S 11/2010 Paek
 D627,341 S 11/2010 Yoon
 D627,667 S 11/2010 Lenz et al.
 D627,773 S 11/2010 Paek
 D628,195 S 11/2010 Yoon
 D628,913 S 12/2010 Cheng
 D629,799 S 12/2010 Andre et al.
 D631,040 S 1/2011 Yoon et al.
 D631,471 S 1/2011 Jensen et al.
 D631,472 S 1/2011 Kawase et al.
 D631,473 S 1/2011 Lee et al.
 D631,878 S 2/2011 Jensen et al.
 D631,879 S 2/2011 Kawase
 D633,487 S 3/2011 Kim et al.
 D633,488 S 3/2011 Kim et al.
 D633,489 S 3/2011 Kim et al.
 D633,490 S 3/2011 Kim et al.
 D636,388 S 4/2011 Kawase
 D638,416 S 5/2011 Kawase
 D640,255 S 6/2011 Lee et al.
 D641,748 S 7/2011 Kawase
 D643,031 S 8/2011 Yoon et al.
 D643,032 S 8/2011 Heck et al.
 D643,425 S 8/2011 Jung et al.
 D646,677 S 10/2011 Moon et al.
 D649,542 S 11/2011 Yoon et al.
 D650,325 S 12/2011 Kim et al.
 D650,378 S 12/2011 Lee et al.
 D650,379 S 12/2011 Paek et al.
 D651,206 S 12/2011 Kim et al.
 D651,597 S 1/2012 Lee et al.
 D651,598 S 1/2012 Kim et al.
 D651,599 S 1/2012 Kim et al.
 D651,600 S 1/2012 Lee et al.
 D652,415 S 1/2012 Lee et al.
 D652,416 S 1/2012 Park et al.
 D652,417 S 1/2012 Lee et al.
 D652,831 S 1/2012 Lee et al.
 D653,669 S 2/2012 Kim et al.
 D657,785 S 4/2012 Lee et al.
 8,149,222 B2 4/2012 Hsieh et al.
 D661,294 S 6/2012 Park et al.
 D661,295 S 6/2012 Park et al.
 D661,298 S 6/2012 Park et al.
 D661,299 S 6/2012 Kim et al.
 D661,300 S 6/2012 Kim et al.
 D661,301 S 6/2012 Kim et al.
 D661,302 S 6/2012 Fukasawa et al.
 D664,532 S 7/2012 Lee
 D664,533 S 7/2012 Lee et al.
 D664,534 S 7/2012 Lee et al.
 D664,535 S 7/2012 Lee et al.
 D664,538 S 7/2012 Ryu et al.
 D673,558 S * 1/2013 Cruz et al. D14/315
 2005/0018396 A1 1/2005 Nakajima et al.
 2005/0041378 A1 2/2005 Hamada et al.
 2009/0231292 A1 9/2009 Hsieh et al.

FOREIGN PATENT DOCUMENTS

KR 3005639120000 6/2010
 KR 3005639130000 6/2010
 KR 3005680110000 7/2010
 KR 3005804720000 11/2010
 KR 3005869900000 1/2011
 KR 3005942330000 4/2011
 KR 3005958550000 4/2011
 KR 3006013110001 6/2011
 KR 3006013130000 6/2011
 KR 3006013160000 6/2011
 KR 3006013170000 6/2011
 KR 3006052790000 7/2011
 KR 3006052810000 7/2011
 KR 3006052820000 7/2011
 KR 3006052830000 7/2011
 KR 3006059710000 7/2011
 KR 3006063210000 7/2011
 KR 3006064090000 7/2011

KR 3006083610000 8/2011
KR 3006083630000 8/2011
KR 3006083640000 8/2011
KR 3006083650000 8/2011
KR 3006083710000 8/2011
KR 3006083730000 8/2011
KR 3006085180000 8/2011

OTHER PUBLICATIONS

U.S. Appl. No. 29/425,836, Applicant: Park, et al., filed Jun. 27, 2012 entitled Portable Computer.
U.S. Appl. No. 29/425,828, Applicant: Kim, et al., filed Jun. 27, 2012 entitled Portable Computer.
U.S. Appl. No. 29/425,732, Applicant: Park, et al., filed Jun. 26, 2012 entitled Portable Computer.
U.S. Appl. No. 29/405,517, Applicant: Kim, et al., filed Nov. 3, 2011 entitled Notebook Computer.
U.S. Appl. No. 29/419,063, Applicant: Kim, et al., filed May 2, 2012 entitled Notebook Computer.
U.S. Appl. No. 29/419,062, Applicant: Kim, et al., filed May 2, 2012 entitled Notebook Computer.
U.S. Appl. No. 29/419,897, Applicant: Kim, et al., filed May 2, 2012 entitled Notebook Computer.
U.S. Appl. No. 29/419,903, Applicant: Kim, et al., filed May 2, 2012 entitled Notebook Computer.

U.S. Appl. No. 29/419,914, Applicant: Park, et al., filed May 2, 2012 entitled Notebook Computer.
U.S. Appl. No. 29/419,915, Applicant: Kim, et al., filed May 2, 2012 entitled Notebook Computer.
U.S. Appl. No. 29/424,594, Applicant: Park, et al., filed Jun. 12, 2012 entitled Notebook Computer.
U.S. Appl. No. 29/422,581, Applicant: Park, et al., filed May 22, 2012 entitled Notebook Computer.
U.S. Appl. No. 29/423,726, Applicant: Lee, et al., filed Jun. 4, 2012 entitled Notebook Computer.
U.S. Appl. No. 29/423,727, Applicant: Lee, et al., filed Jun. 4, 2012 entitled Notebook Computer.
U.S. Appl. No. 29/424,453, Applicant: Lee, et al., filed Jun. 12, 2012 entitled Notebook Computer.
U.S. Appl. No. 29/424,462, Applicant: Sang-Eun Lee, filed Jun. 12, 2012 entitled Netbook Computer.
U.S. Appl. No. 29/424,073, Applicant: Lee, et al., filed Jun. 7, 2012 entitled Notebook Computer.
U.S. Appl. No. 29/425,225, Applicant: Jung, et al., filed Jun. 20, 2012 entitled Portable Computer.
U.S. Appl. No. 29/425,446, Applicant: Kim, et al., filed Jun. 22, 2012 entitled Portable Computer.

* cited by examiner

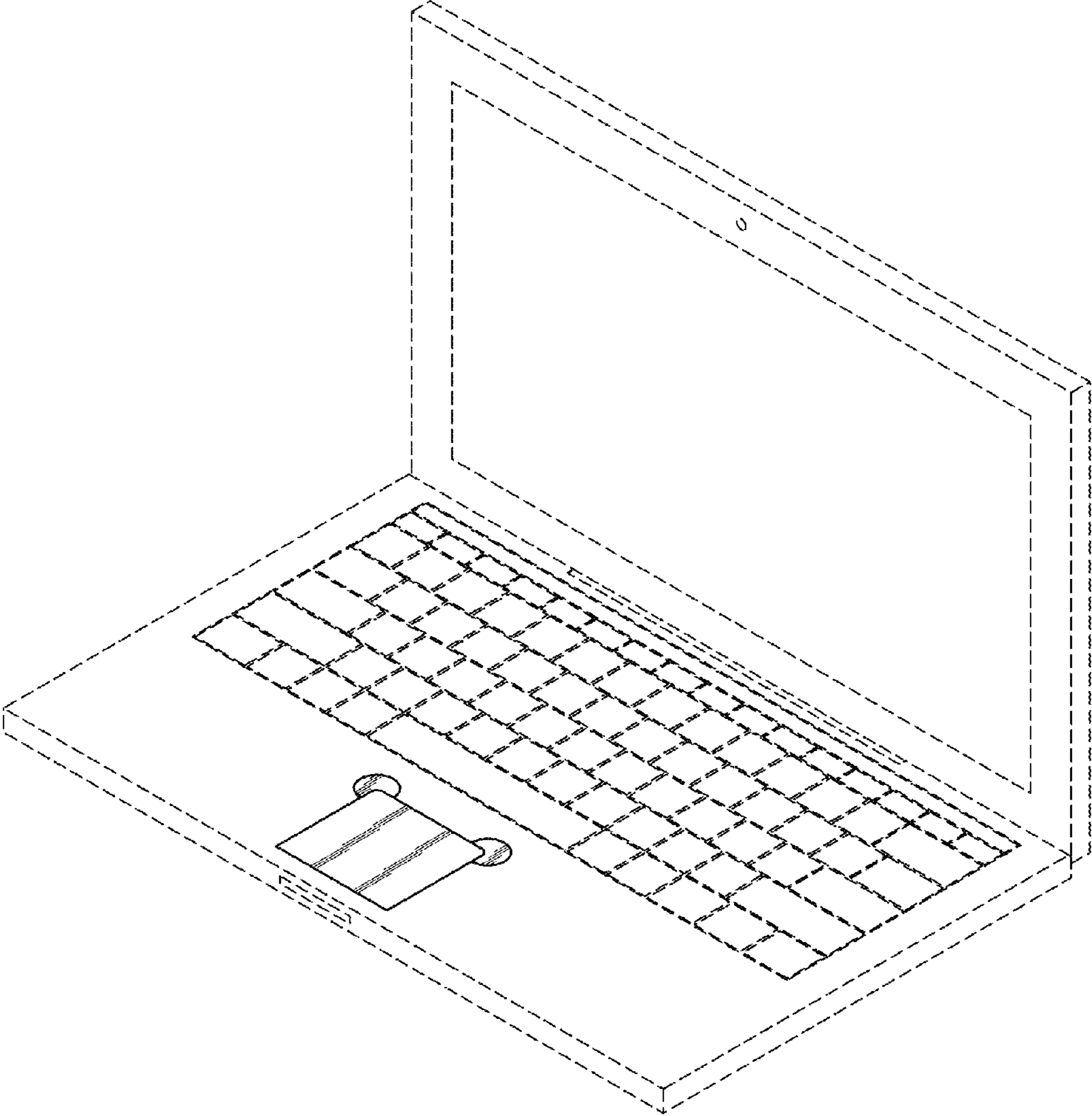


FIG.1

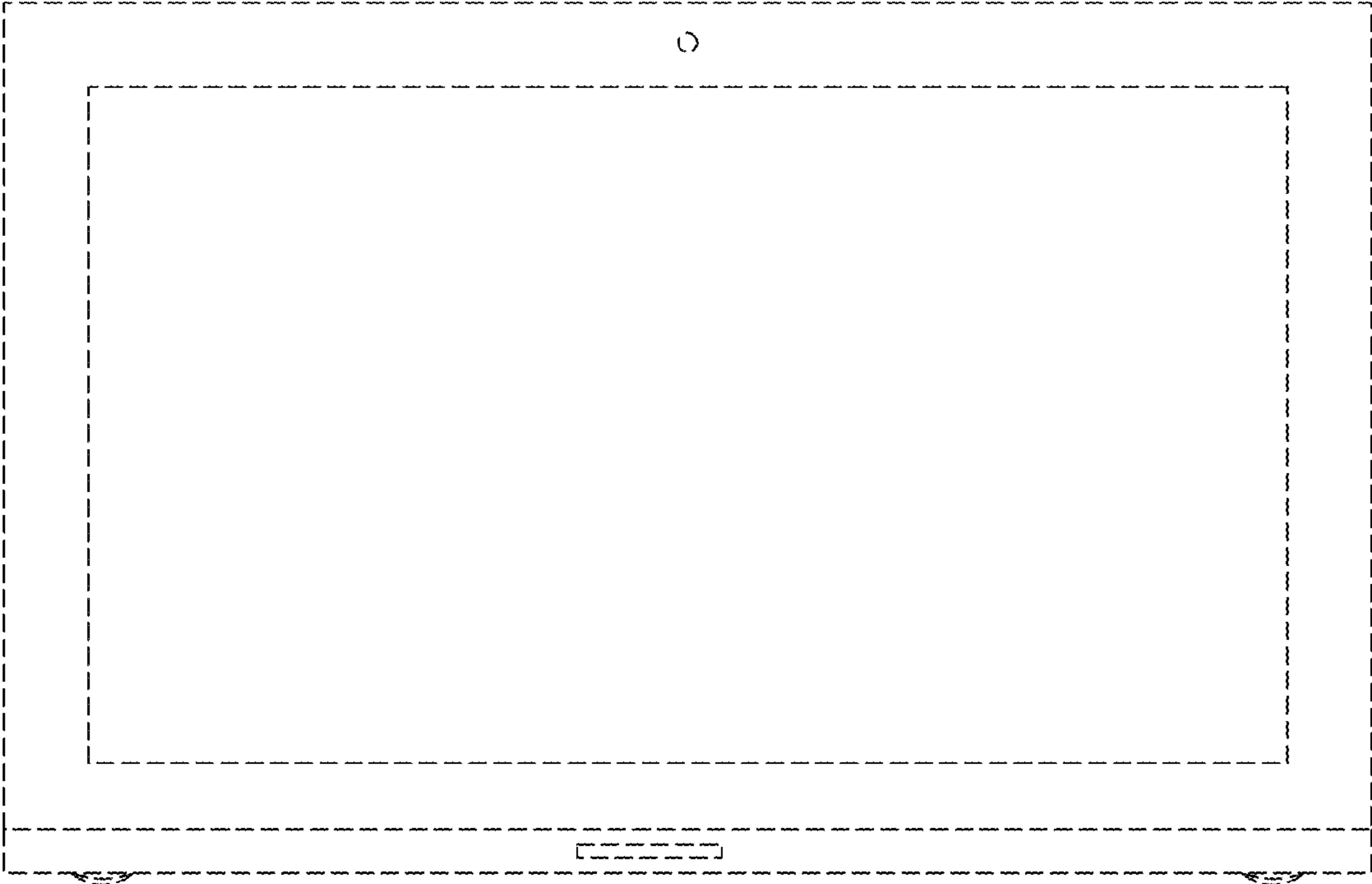


FIG.2



FIG.3

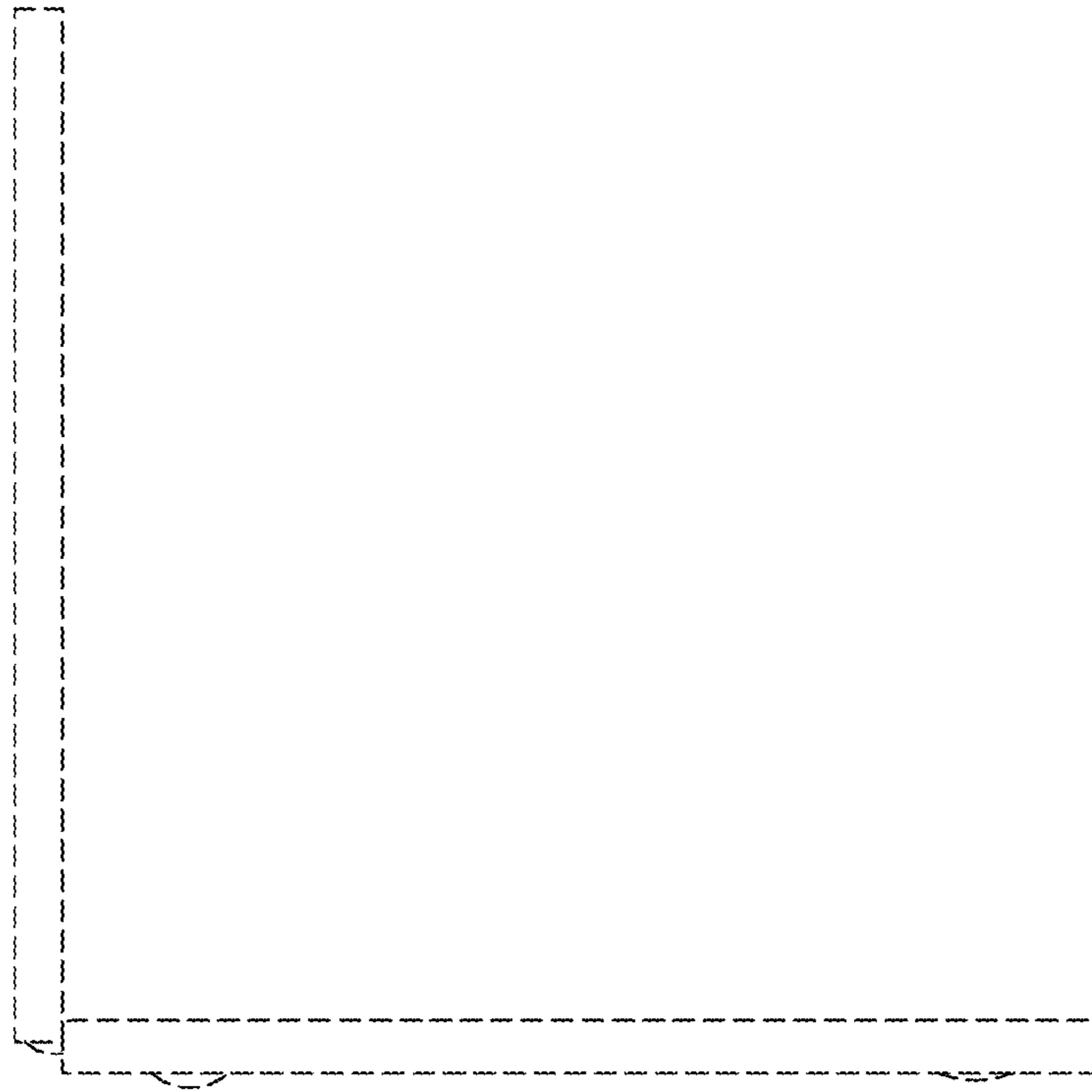


FIG.4

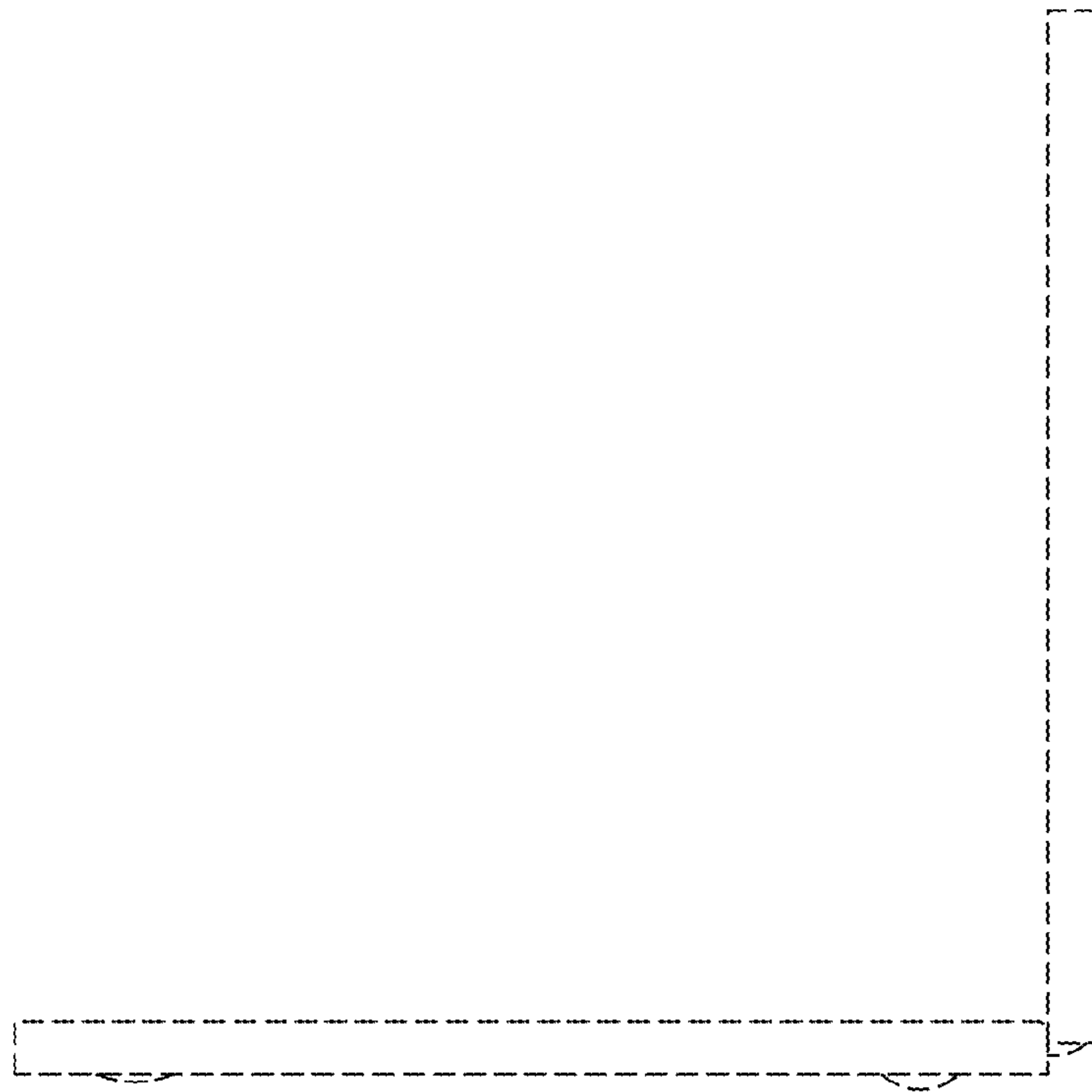


FIG.5

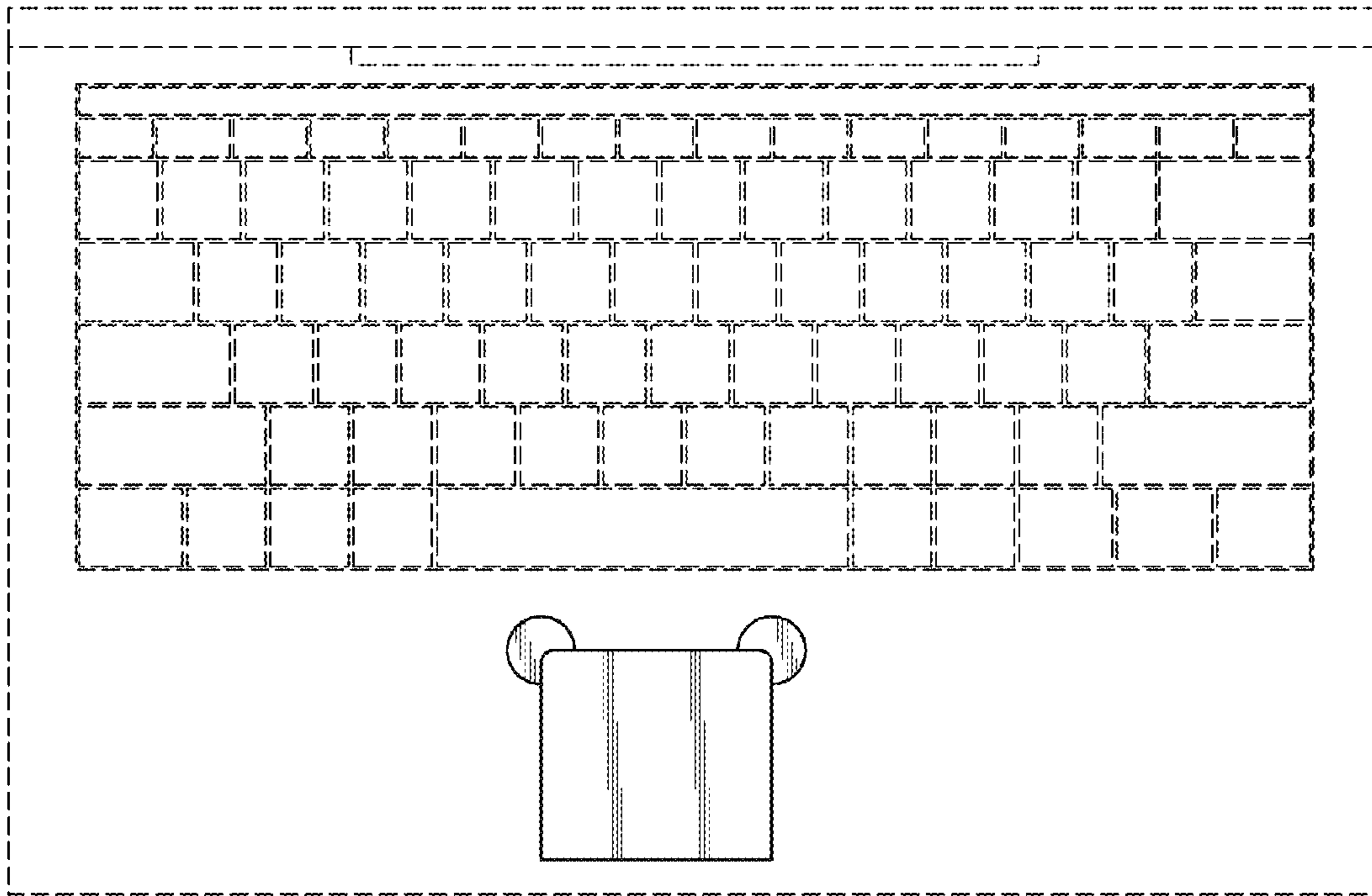


FIG. 6

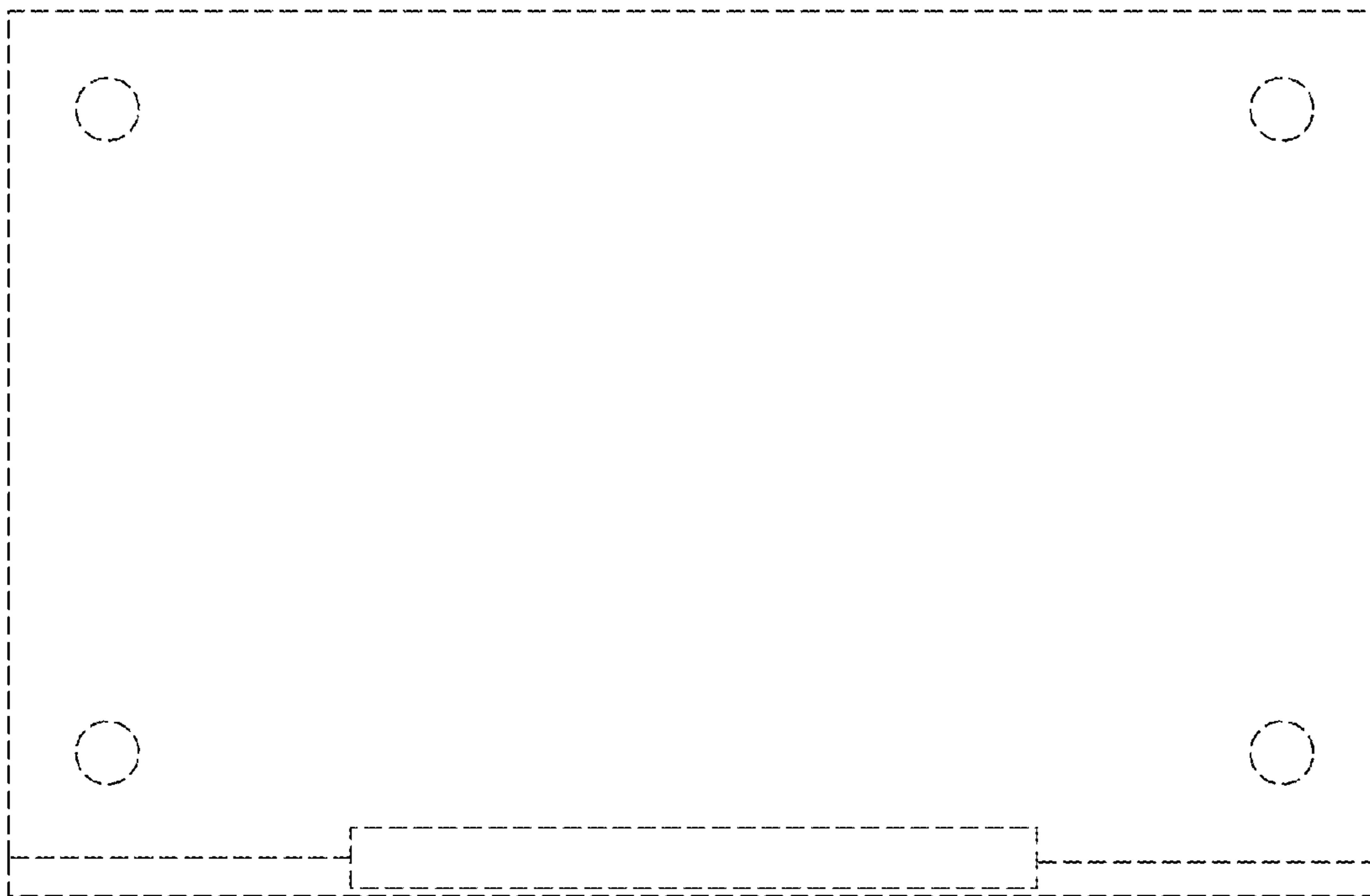


FIG. 7