



US00D687828S

(12) **United States Design Patent**
Sato et al.

(10) **Patent No.:** **US D687,828 S**

(45) **Date of Patent:** **** Aug. 13, 2013**

(54) **IMAGE DISPLAY DEVICE**

(75) Inventors: **Yukihiko Sato**, Nagoya (JP); **Yusuke Nakata**, Kounan (JP); **Tomoyuki Nanno**, Nagoya (JP)

(73) Assignee: **Brother Industries, Ltd.**, Nagoya (JP)

(**) Term: **14 Years**

(21) Appl. No.: **29/401,600**

(22) Filed: **Sep. 13, 2011**

(30) **Foreign Application Priority Data**

Mar. 23, 2011 (JP) 2011-6576

(51) **LOC (9) Cl.** **14-02**

(52) **U.S. Cl.**
USPC **D14/372**

(58) **Field of Classification Search**
USPC D14/372, 496, 432, 371, 125, 126,
D14/129, 299; D16/300-342; 351/158,
351/153, 144; 345/7-9, 905; 455/344;
348/115, 53, 121, 739
See application file for complete search history.

(56) **References Cited**

U.S. PATENT DOCUMENTS

D402,287 S * 12/1998 Kawashima D14/372
D402,651 S * 12/1998 Depay et al. D14/372

6,034,653 A * 3/2000 Robertson et al. 345/8
D429,253 S * 8/2000 Robertson et al. D14/496
D436,960 S * 1/2001 Budd et al. D14/372
D537,078 S * 2/2007 Tanaka et al. D14/372
D559,250 S * 1/2008 Pombo D14/372
D565,082 S * 3/2008 McClure et al. D16/309
D578,120 S * 10/2008 Lowe et al. D14/372
D602,064 S * 10/2009 Mitsui et al. D16/300
D609,236 S * 2/2010 Matsumoto et al. D14/372

* cited by examiner

Primary Examiner — Austin Murphy

(74) *Attorney, Agent, or Firm* — Oliff & Berridge, PLC

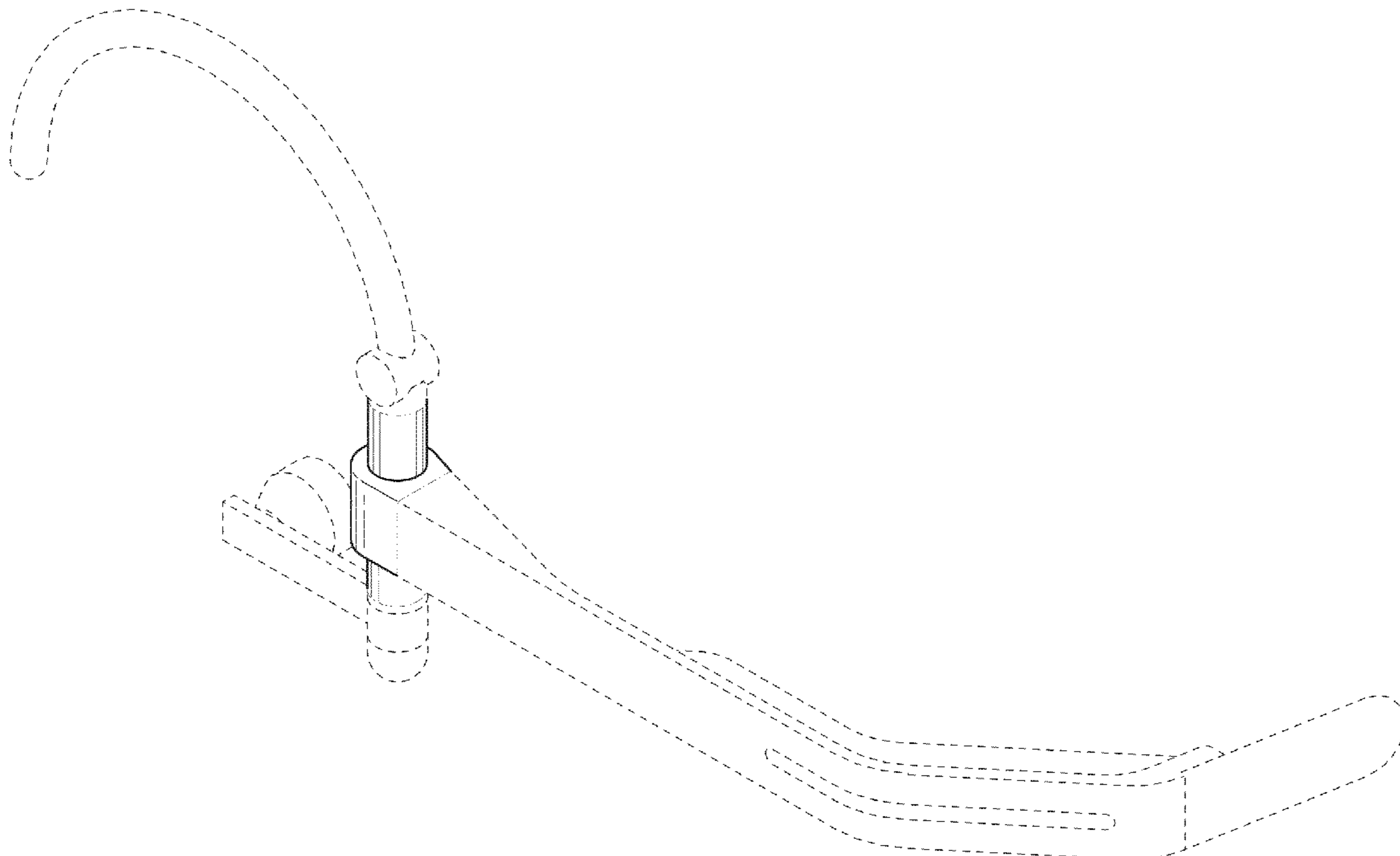
(57) **CLAIM**

The ornamental design for an image display device, as shown and described.

DESCRIPTION

FIG. 1 is a perspective view of an image display device;
FIG. 2 is a front view thereof;
FIG. 3 is a top view thereof;
FIG. 4 is a right-side view thereof;
FIG. 5 is a left-side view thereof;
FIG. 6 is a rear view thereof;
FIG. 7 is a bottom view thereof; and,
FIG. 8 is another perspective view thereof.
The broken lines depict environmental subject matter only and form no part of the claimed design.
The dot chain lines illustrate a boundary between claimed and unclaimed surfaces and form no part of the claimed design.

1 Claim, 7 Drawing Sheets



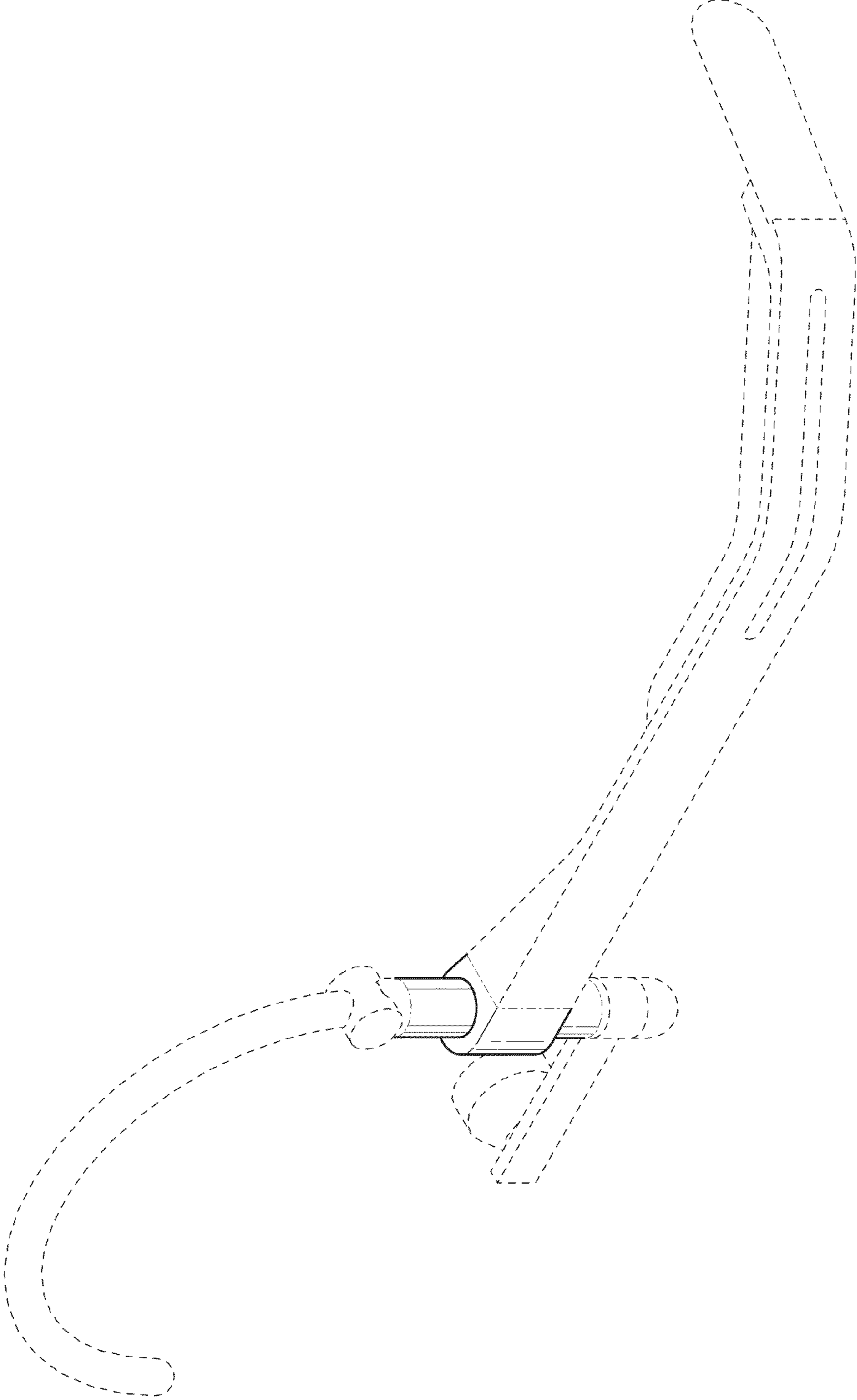


FIG. 1

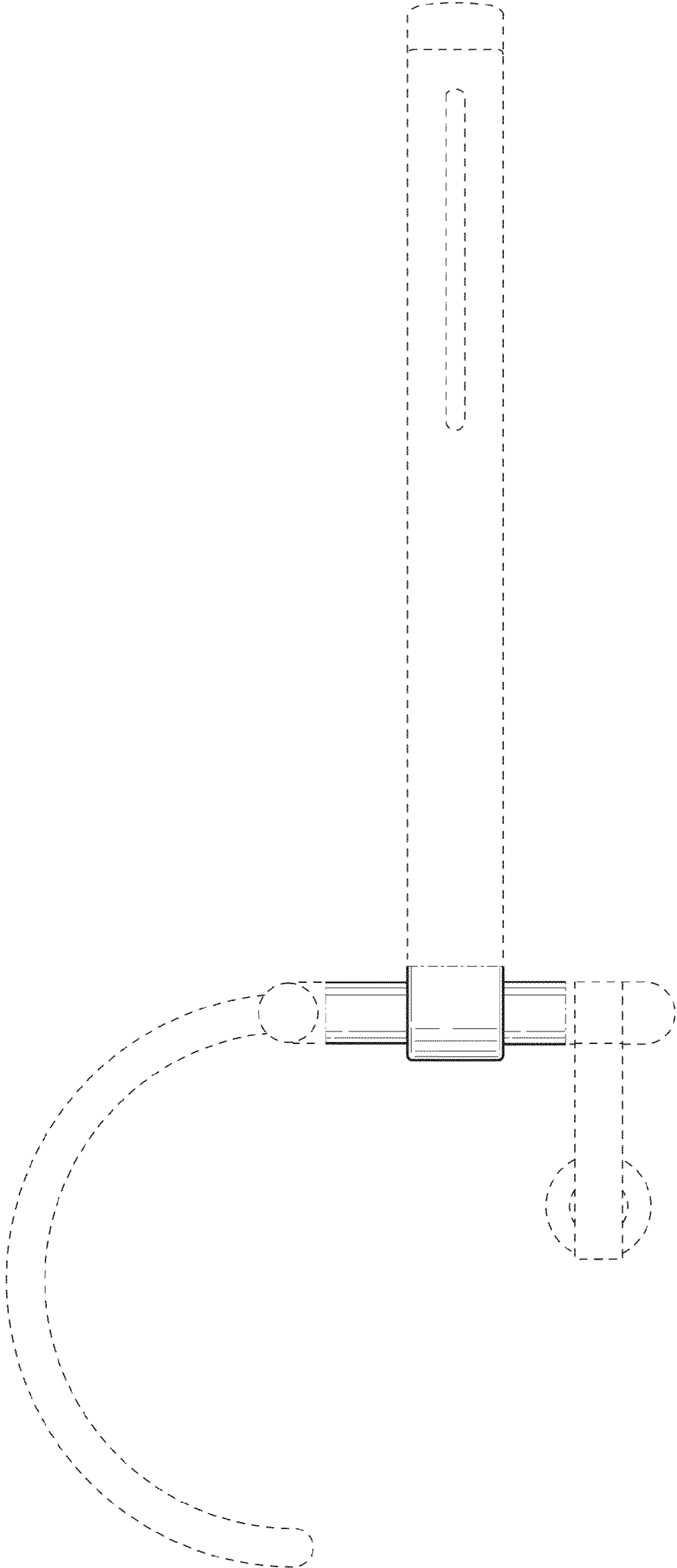


FIG. 2

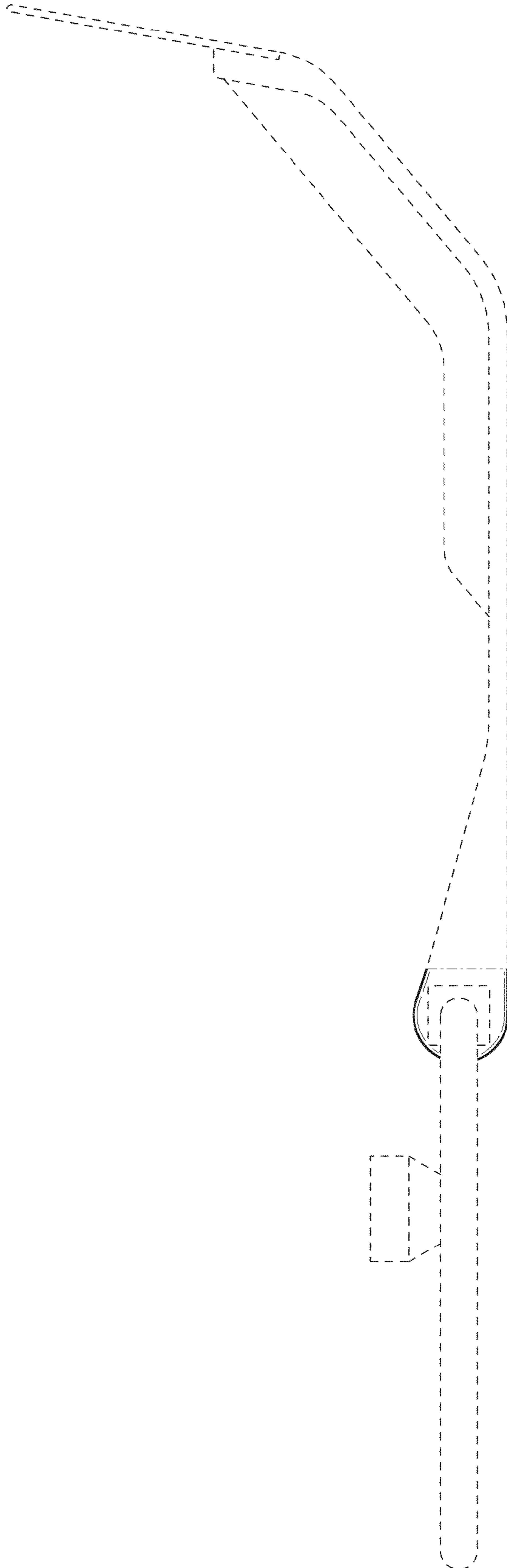


FIG. 3

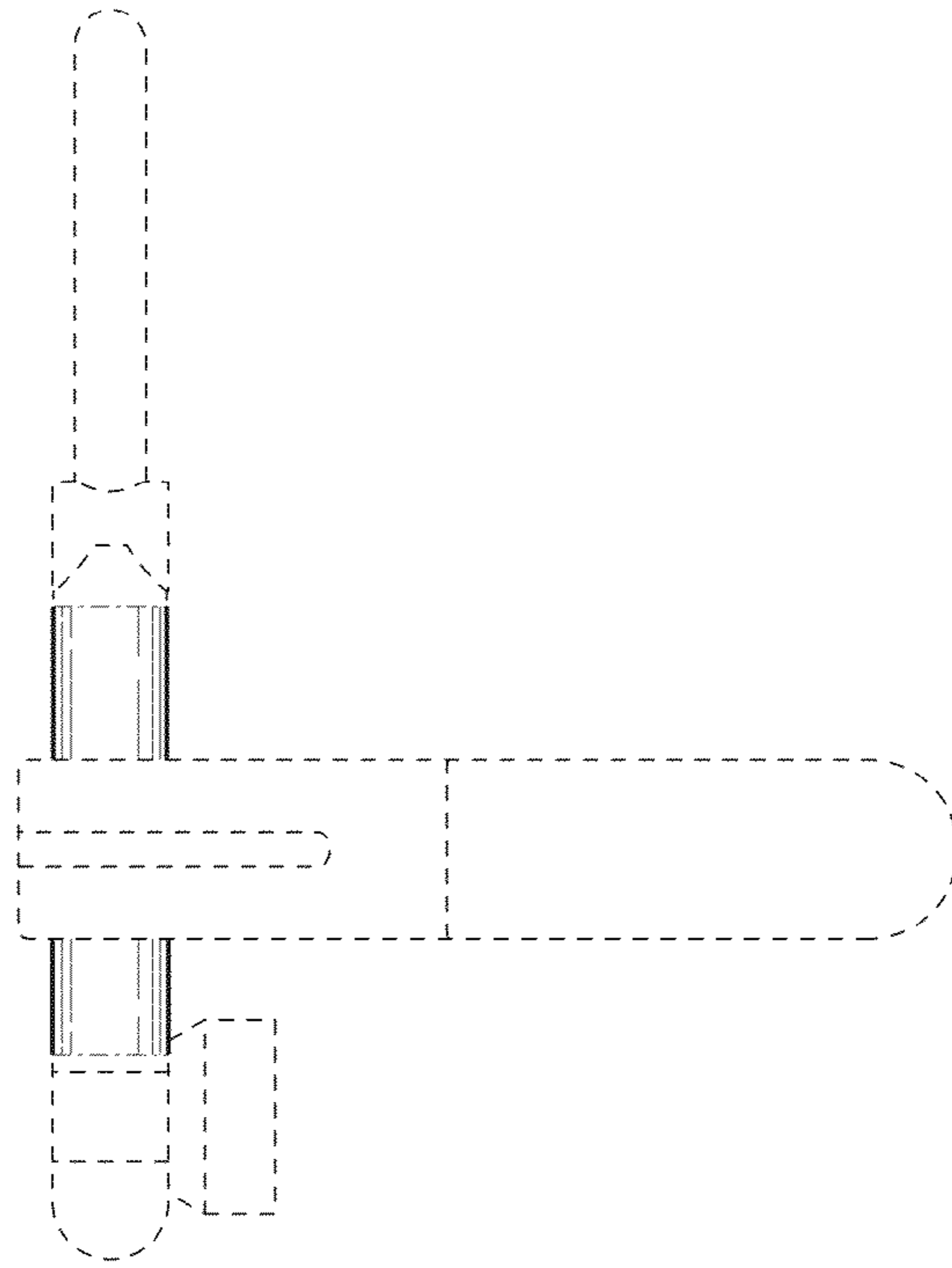


FIG. 4

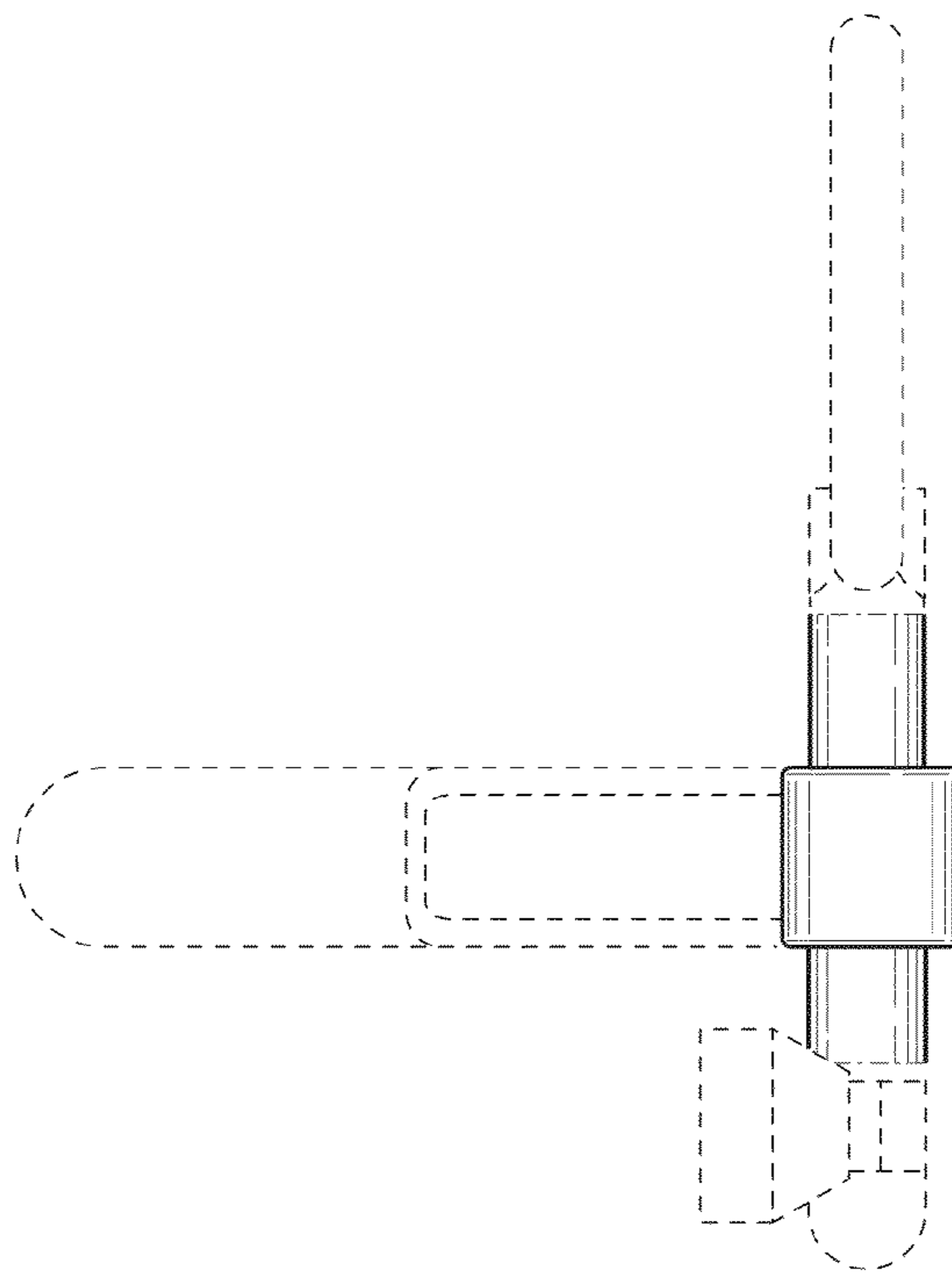


FIG. 5

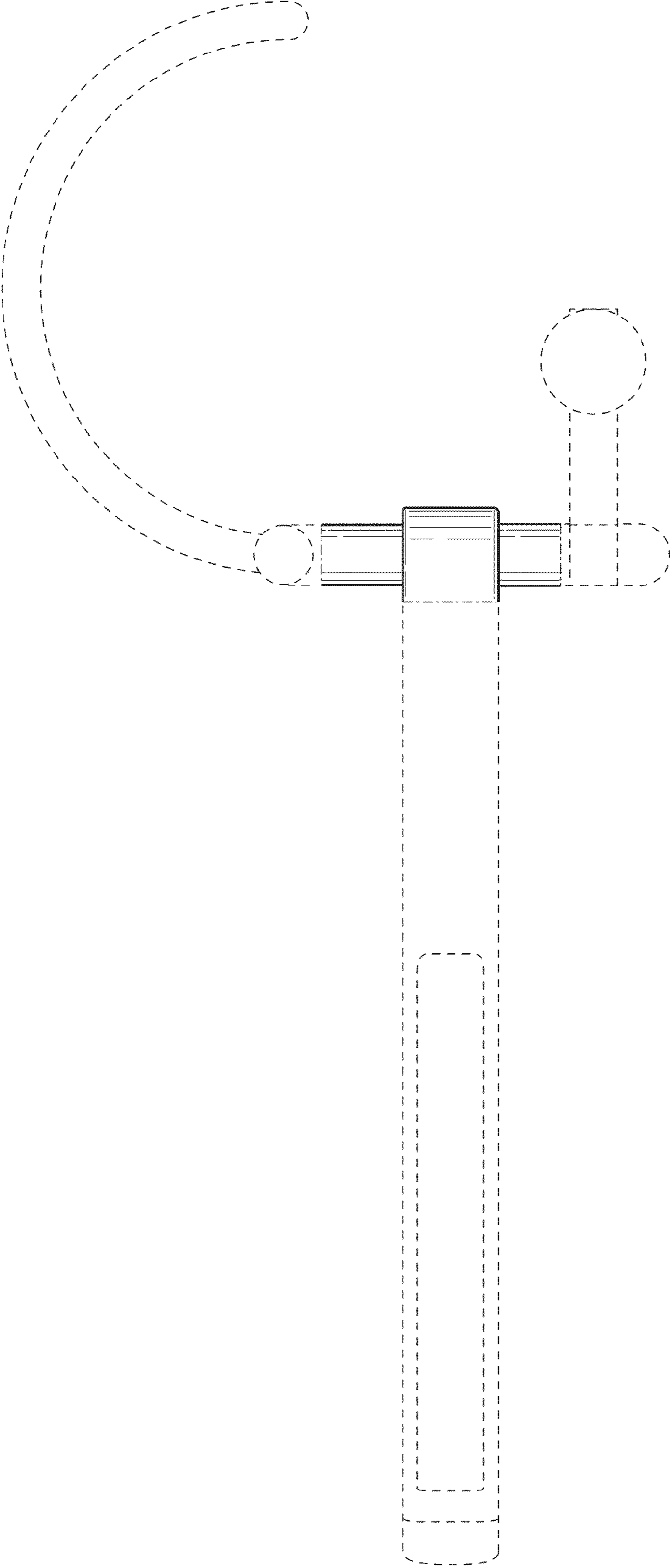


FIG. 6

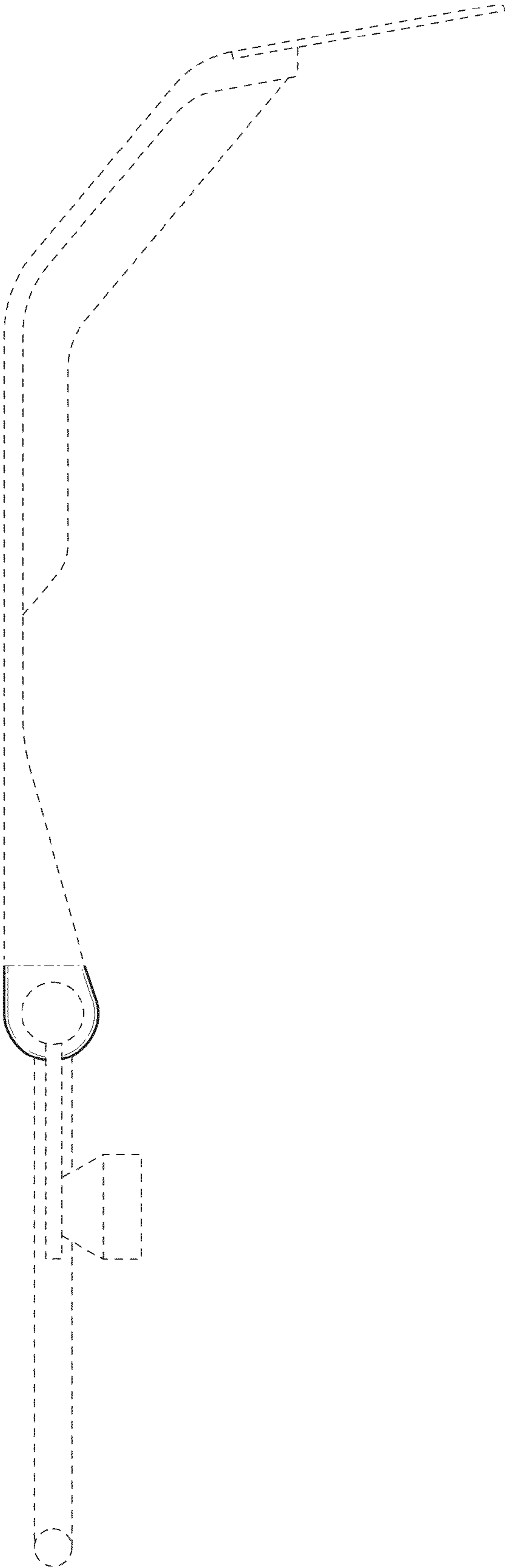


FIG. 7

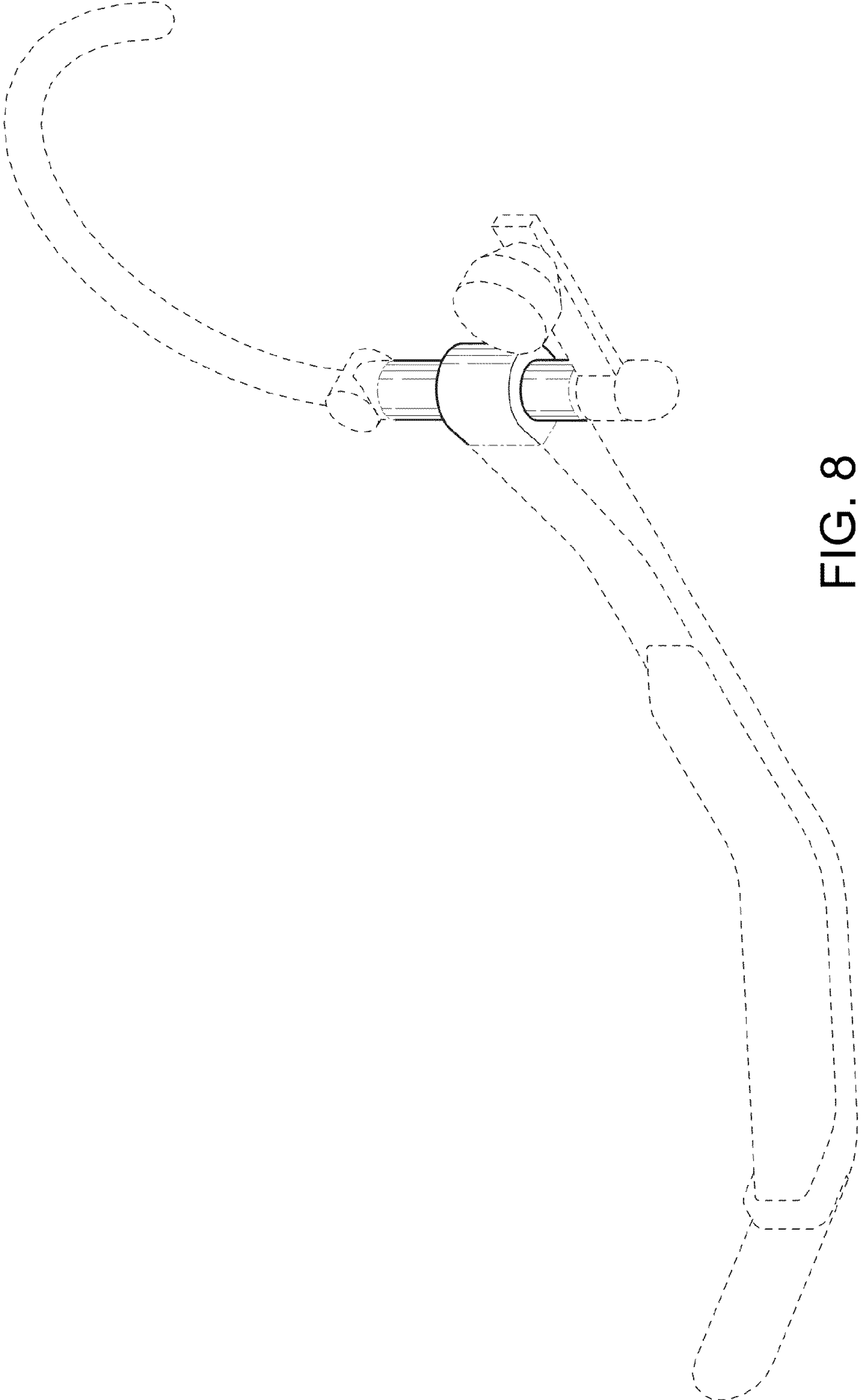


FIG. 8