



US00D687821S

(12) **United States Design Patent**  
**Lee et al.**

(10) **Patent No.:** **US D687,821 S**  
(45) **Date of Patent:** **\*\* Aug. 13, 2013**

(54) **COMMUNICATION DEVICE**

*Primary Examiner* — Barbara Fox

(75) Inventors: **Sang Soo Lee**, Seongnam-si (KR);  
**Sung-Gul Hwang**, Seoul (KR);  
**Sang-Kyu Maeng**, Seoul (KR); **Ho Yeon Won**, Seoul (KR)

(57) **CLAIM**  
The ornamental design for a communication device, as shown and described.

(73) Assignee: **Motorola Mobility LLC**, Libertyville, IL (US)

**DESCRIPTION**

(\*\*) Term: **14 Years**

FIG. 1 is a front perspective view of a first embodiment of a communication device showing the new design;  
FIG. 2 is a rear perspective view of the first embodiment thereof;  
FIG. 3 is a front view of the first embodiment thereof;  
FIG. 4 is a rear view of the first embodiment thereof;  
FIG. 5 is a first side view of the first embodiment thereof;  
FIG. 6 is a second side view of the first embodiment thereof;  
FIG. 7 is a top view of the first embodiment thereof; and  
FIG. 8 is a bottom view of the first embodiment thereof.  
FIG. 9 is a front perspective view of a second embodiment of the communication device;  
FIG. 10 is a rear perspective view of the second embodiment thereof;  
FIG. 11 is a front view of the second embodiment thereof;  
FIG. 12 is a rear view of the second embodiment thereof;  
FIG. 13 is a first side view of the second embodiment thereof;  
FIG. 14 is a second side view of the second embodiment thereof;  
FIG. 15 is a top view of the second embodiment thereof; and,  
FIG. 16 is a bottom view of the second embodiment thereof.  
The broken lines shown in FIGS. 1-8, that are immediately adjacent to the shaded areas, and define unshaded regions, represent the bounds of the first embodiment, while all other broken lines are directed to environment and are for illustrative purposes only; the broken lines form no part of the first embodiment.

(21) Appl. No.: **29/405,616**

(22) Filed: **Nov. 3, 2011**

(51) **LOC (9) Cl.** ..... **14-02**

(52) **U.S. Cl.**  
USPC ..... **D14/341**; D14/138 G

(58) **Field of Classification Search**  
USPC ..... D14/341-347, 137, 138, 138.1, 138 AA, D14/138 R, 138 AB, 138 AD, 138 G, 138 A, D14/496, 426, 429, 129, 130, 420, 439-441, D14/448, 125, 147, 156, 218, 250, 389, 336, D14/203.1, 203.3, 203.4, 203.7, 315; D21/324, D21/329, 330; D10/65, 104; D18/6-7; 345/169, 345/901, 905, 156, 157, 168, 173; 361/814, 361/680, 686, 679.27, 679.3; 341/22; 348/168; 379/433.04, 433.07, 433.11, 916, 433.01, 379/433.06

See application file for complete search history.

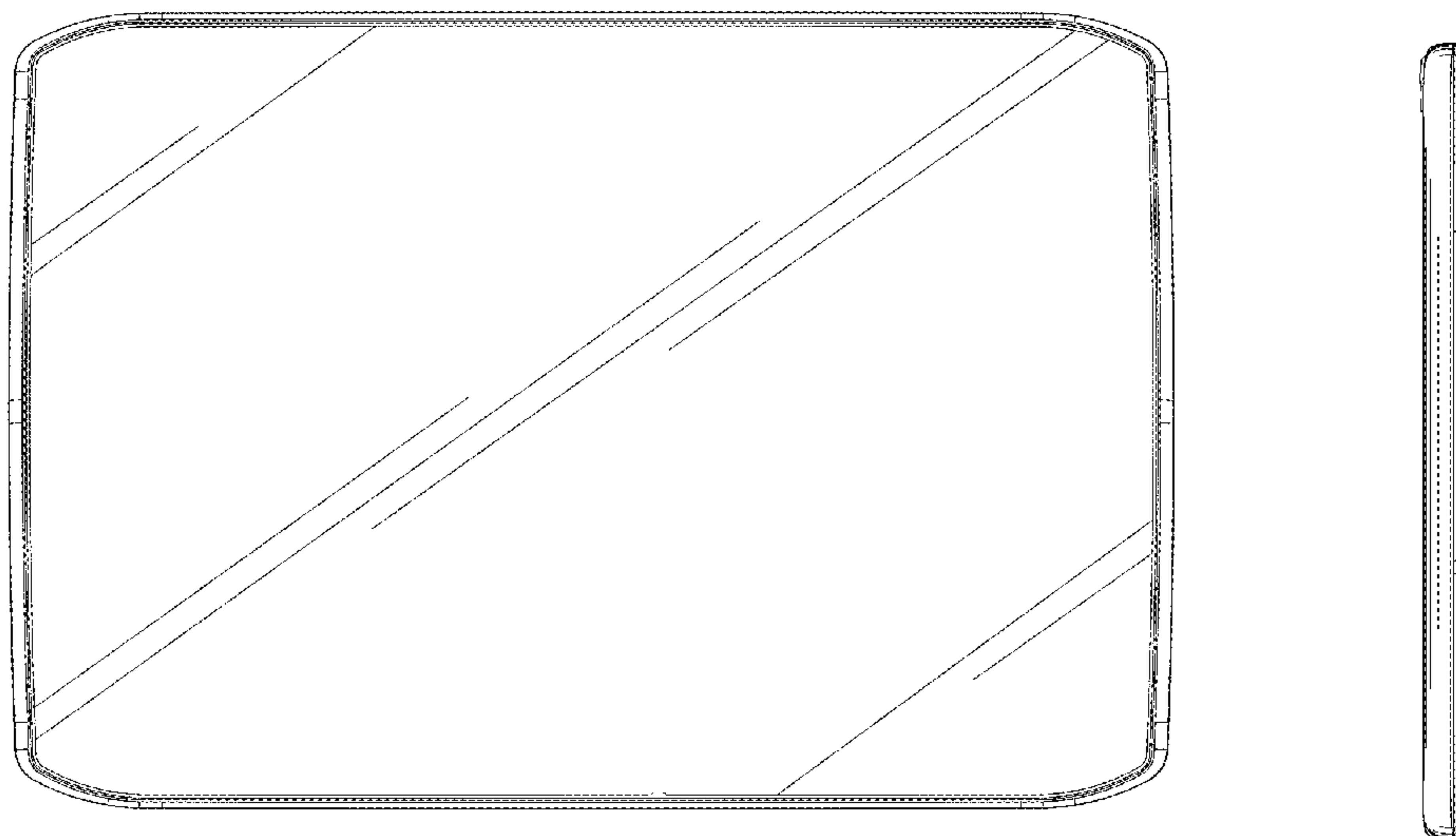
(56) **References Cited**

U.S. PATENT DOCUMENTS

D422,972 S *	4/2000	King	.....	D14/341
D504,889 S *	5/2005	Andre et al.	.....	D14/341
D579,930 S *	11/2008	Maskatia	.....	D14/341
D602,487 S *	10/2009	Maskatia	.....	D14/341

(Continued)

**1 Claim, 12 Drawing Sheets**



(56)

References Cited

U.S. PATENT DOCUMENTS

D604,299 S \* 11/2009 Acevedo ..... D14/346  
 D620,467 S \* 7/2010 Aarras ..... D14/138 G  
 D624,914 S \* 10/2010 Wang ..... D14/371  
 D634,290 S \* 3/2011 Landwehr ..... D14/138 G  
 D634,318 S \* 3/2011 Buckle et al. .... D14/341  
 D635,954 S \* 4/2011 Aarras ..... D14/138 G  
 D636,391 S \* 4/2011 Shen et al. .... D14/341  
 D636,769 S \* 4/2011 Wood et al. .... D14/341  
 D636,770 S \* 4/2011 Li ..... D14/341  
 D637,992 S \* 5/2011 Tom et al. .... D14/138 G  
 D639,266 S \* 6/2011 DeLorenzo et al. .... D14/142  
 D641,018 S \* 7/2011 Lee et al. .... D14/341  
 D645,442 S \* 9/2011 Landwehr ..... D14/138 G  
 D645,833 S \* 9/2011 Seflic et al.  
 D646,902 S \* 10/2011 Woo et al. .... D6/308  
 D650,349 S \* 12/2011 Tom et al. .... D14/138 G  
 D657,336 S \* 4/2012 Nilsen et al. .... D14/138 G  
 D663,298 S \* 7/2012 Song et al. .... D14/341  
 D664,954 S \* 8/2012 Kim et al. .... D14/341  
 D666,198 S \* 8/2012 Van Den  
 Nieuwenhuizen et al. .. D14/341  
 D667,396 S \* 9/2012 Koh ..... D14/341  
 D667,397 S \* 9/2012 Koh ..... D14/341  
 D667,398 S \* 9/2012 Koh ..... D14/341

D667,399 S \* 9/2012 Koh ..... D14/341  
 D667,825 S \* 9/2012 Jung ..... D14/341  
 D668,650 S \* 10/2012 Han ..... D14/341  
 D668,651 S \* 10/2012 Kim et al. .... D14/341  
 D669,447 S \* 10/2012 Hong ..... D14/138 G  
 D669,468 S \* 10/2012 Akana et al. .... D14/341  
 D669,469 S \* 10/2012 Kang ..... D14/341  
 D669,892 S \* 10/2012 Hofer et al. .... D14/341  
 D670,262 S \* 11/2012 Mitchell et al. .... D14/138 G  
 D670,286 S \* 11/2012 Akana et al. .... D14/341  
 D670,692 S \* 11/2012 Akana et al. .... D14/341  
 D671,514 S \* 11/2012 Kim et al. .... D14/138 G  
 D672,344 S \* 12/2012 Li ..... D14/341  
 D672,345 S \* 12/2012 Li ..... D14/341  
 D672,768 S \* 12/2012 Huang et al. .... D14/341  
 D673,561 S \* 1/2013 Hyun et al. .... D14/341  
 D673,924 S \* 1/2013 Mitchell et al. .... D14/138 G  
 D673,950 S \* 1/2013 Li et al. .... D14/341  
 D675,203 S \* 1/2013 Yang ..... D14/341  
 D675,204 S \* 1/2013 Hofer et al. .... D14/341  
 D675,205 S \* 1/2013 Hofer et al. .... D14/341  
 D677,181 S \* 3/2013 Lenz et al. .... D10/65  
 D677,255 S \* 3/2013 McManigal et al. .... D14/341  
 D677,660 S \* 3/2013 Groene et al. .... D14/341  
 D678,232 S \* 3/2013 Harmon et al. .... D14/138 G  
 D678,271 S \* 3/2013 Chiu ..... D14/341

\* cited by examiner

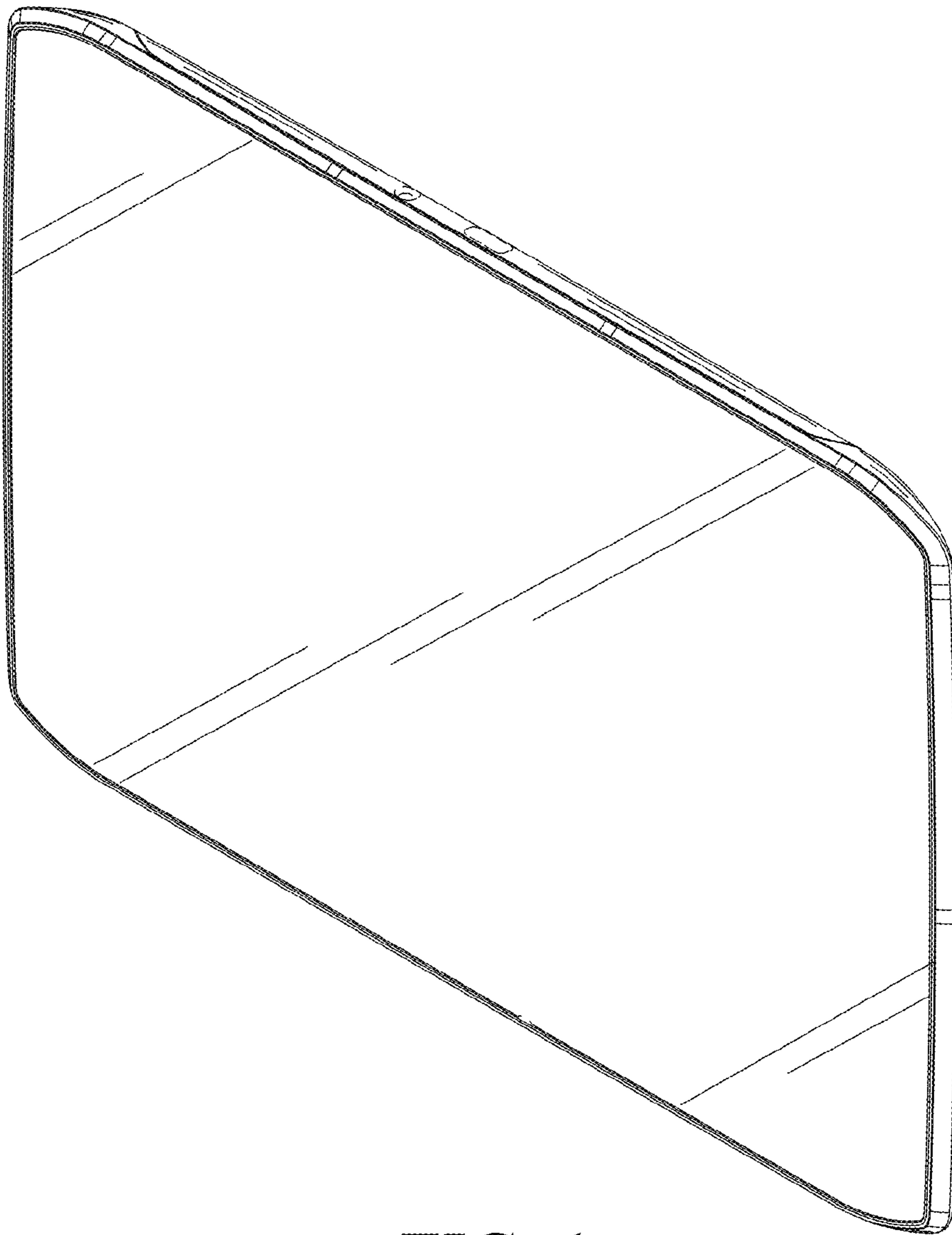


FIG. 1

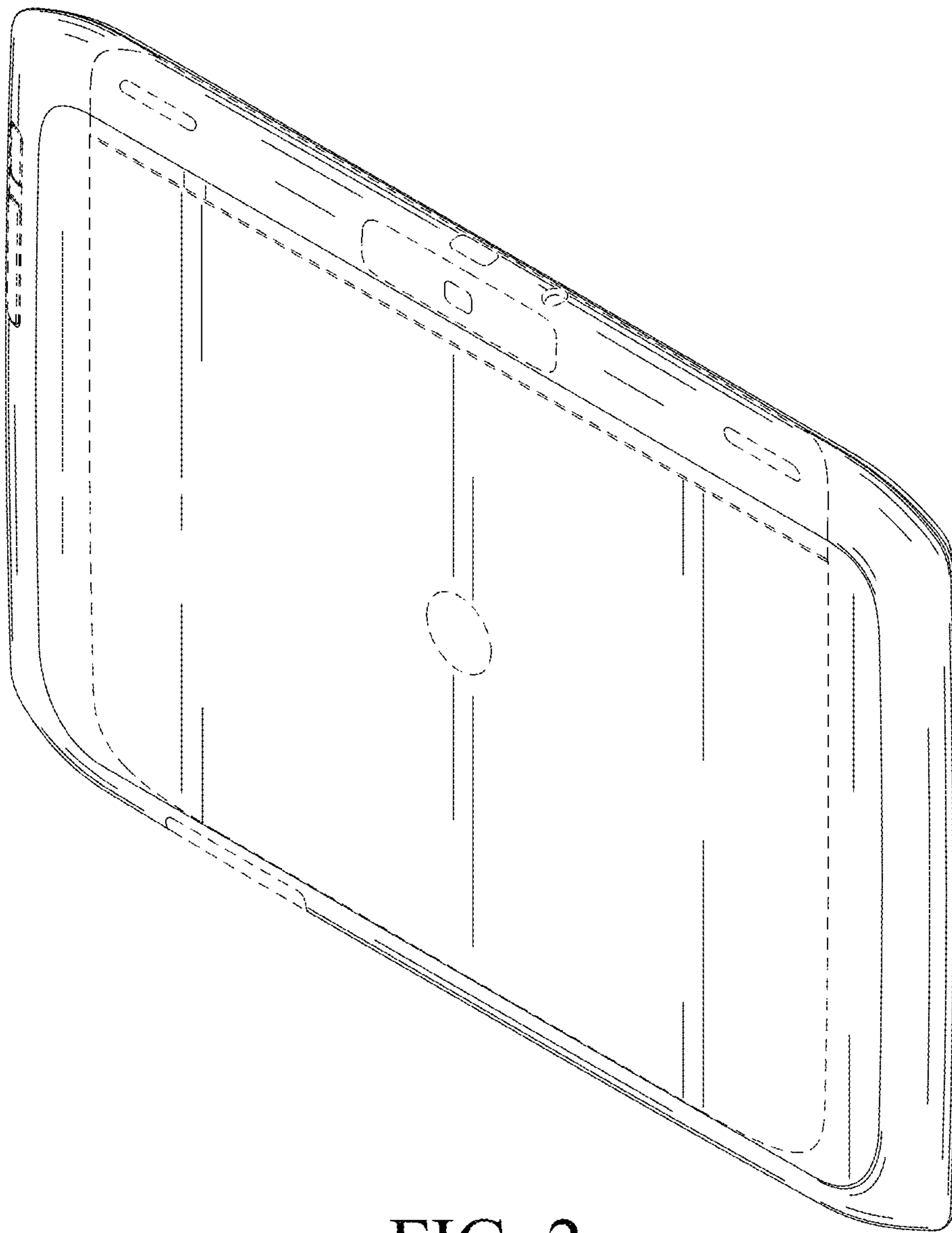


FIG. 2



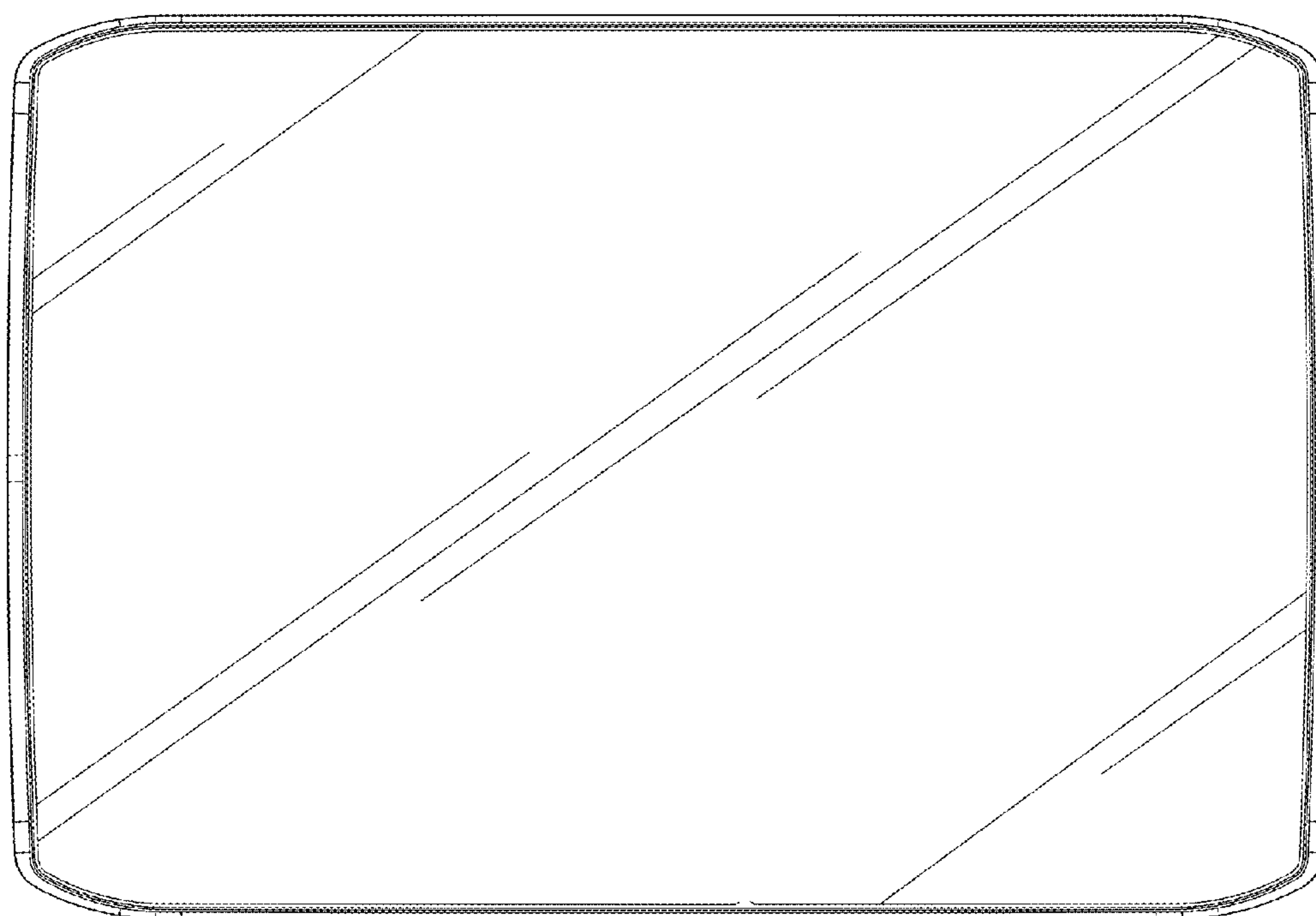


FIG. 3

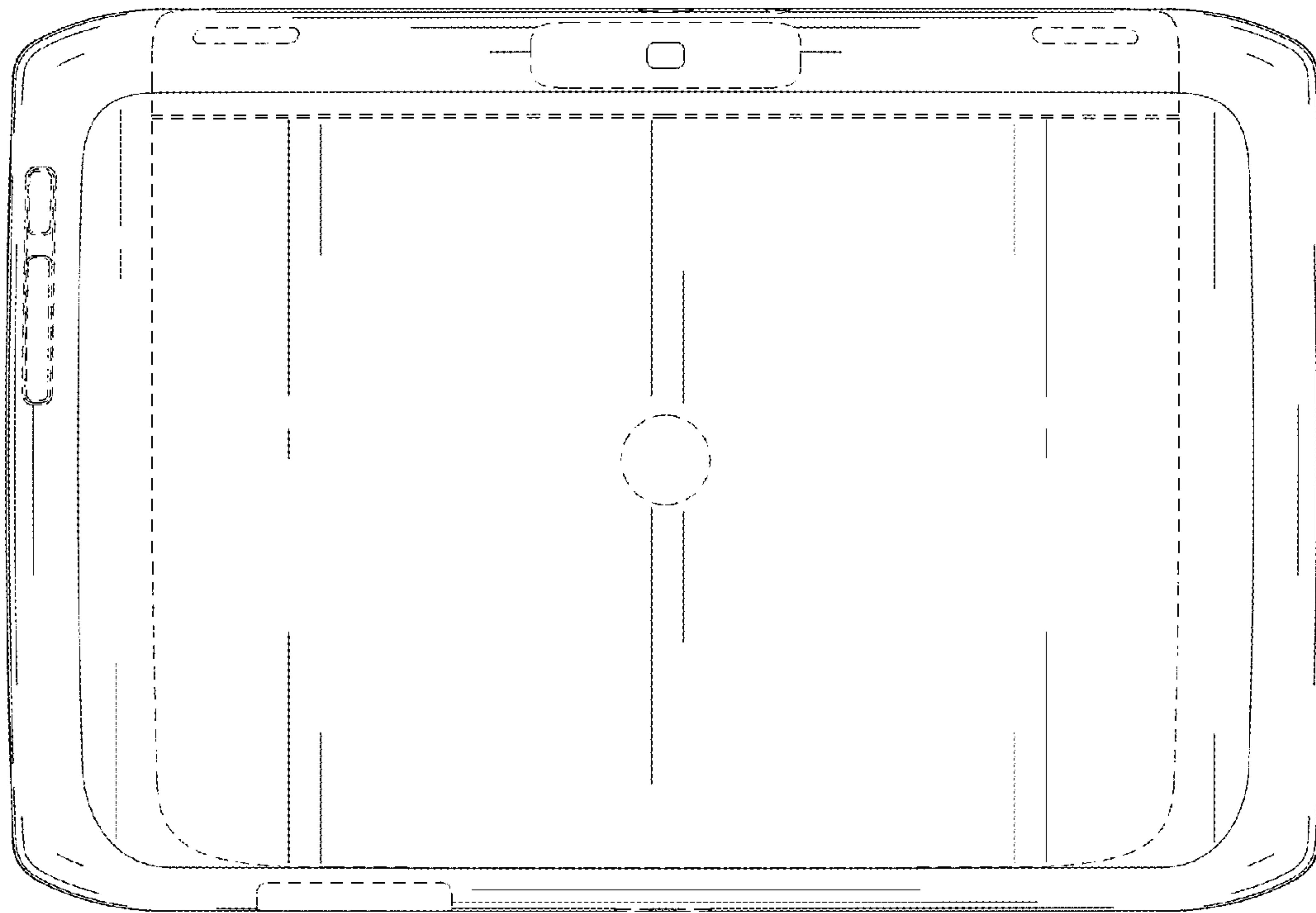


FIG. 4

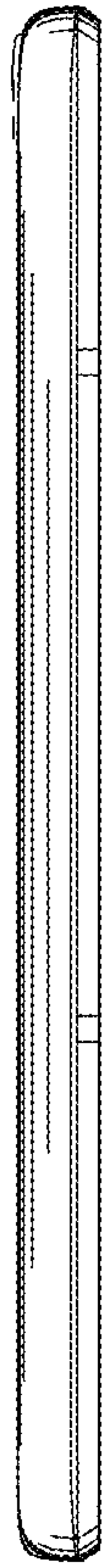


FIG. 5

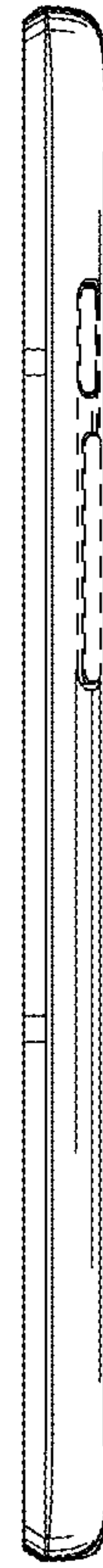


FIG. 6

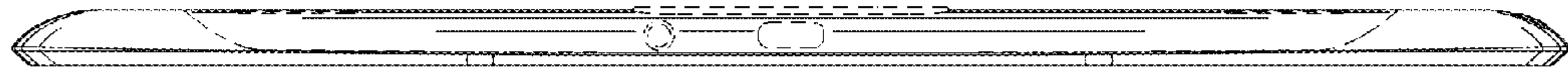


FIG. 7

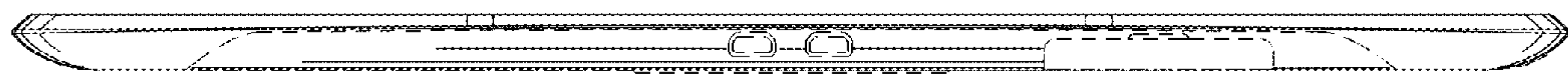


FIG. 8



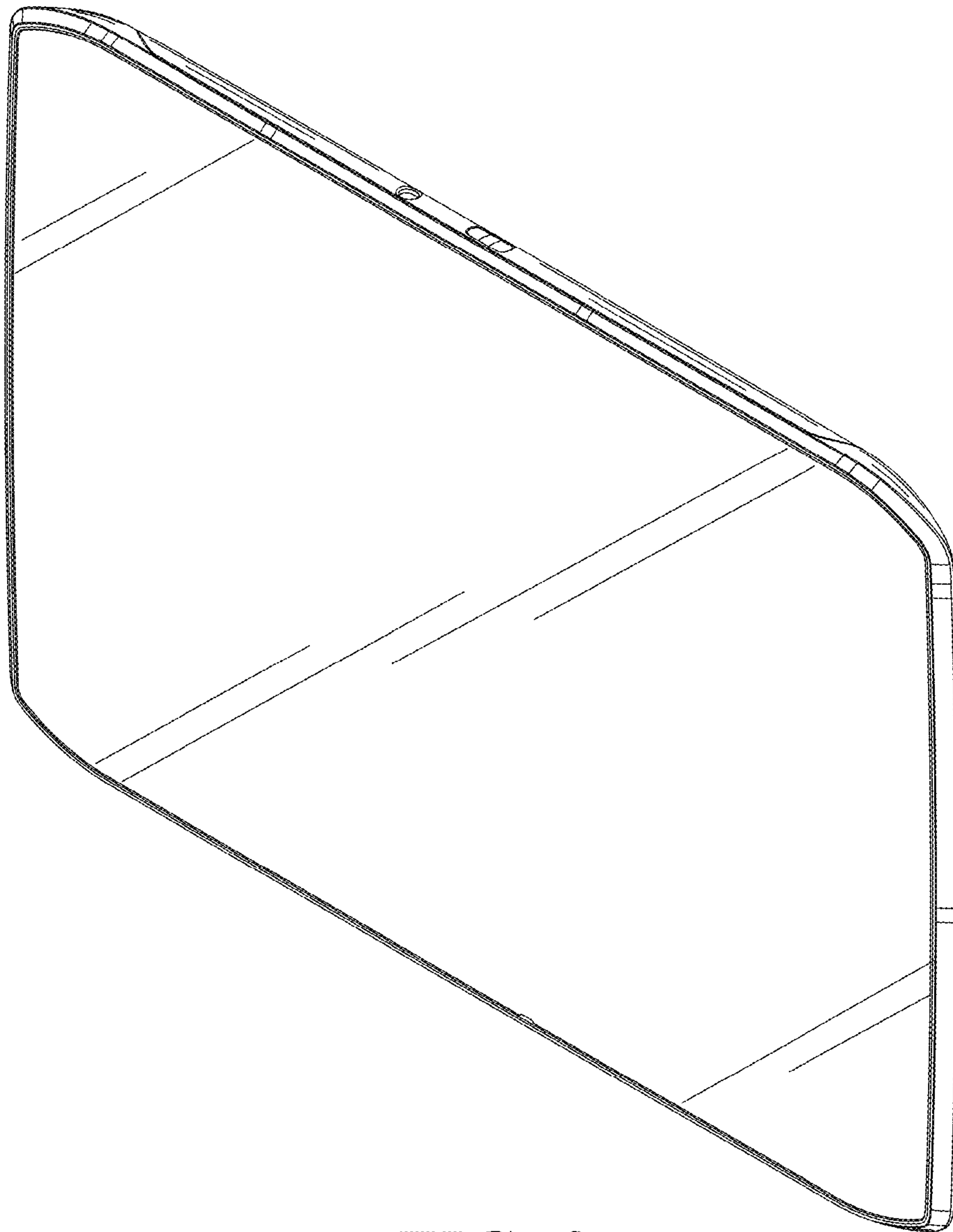


FIG. 9

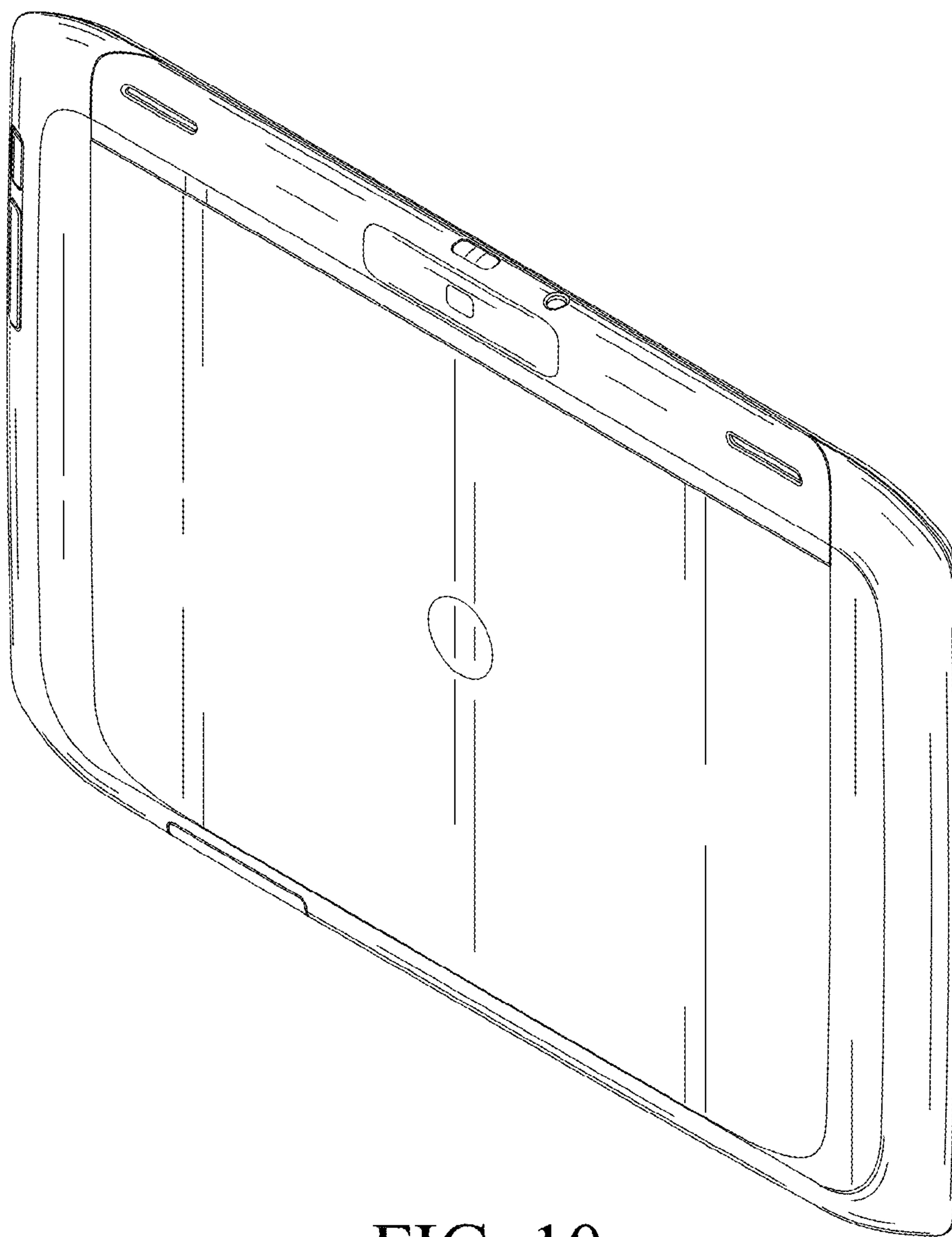


FIG. 10

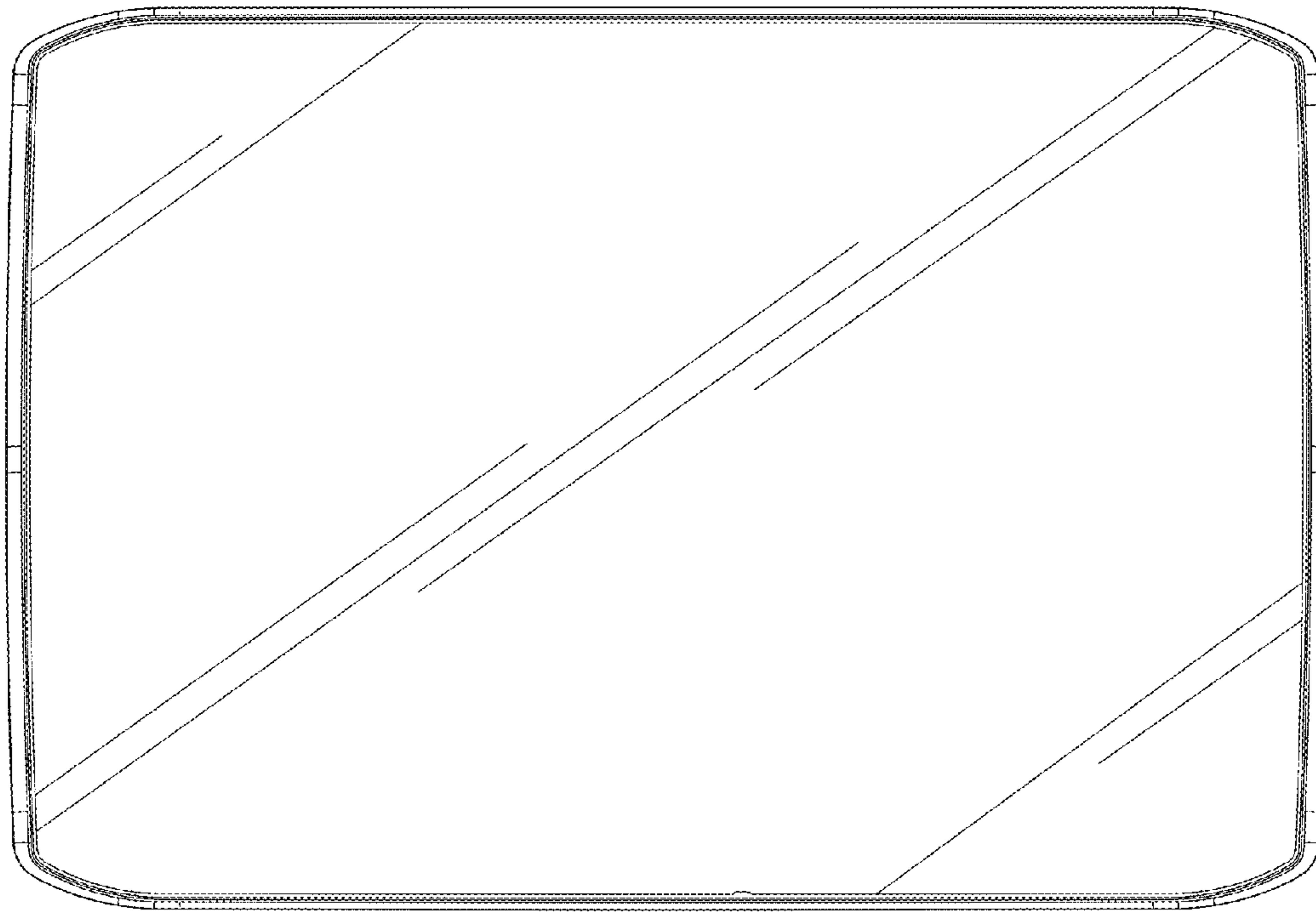


FIG. 11

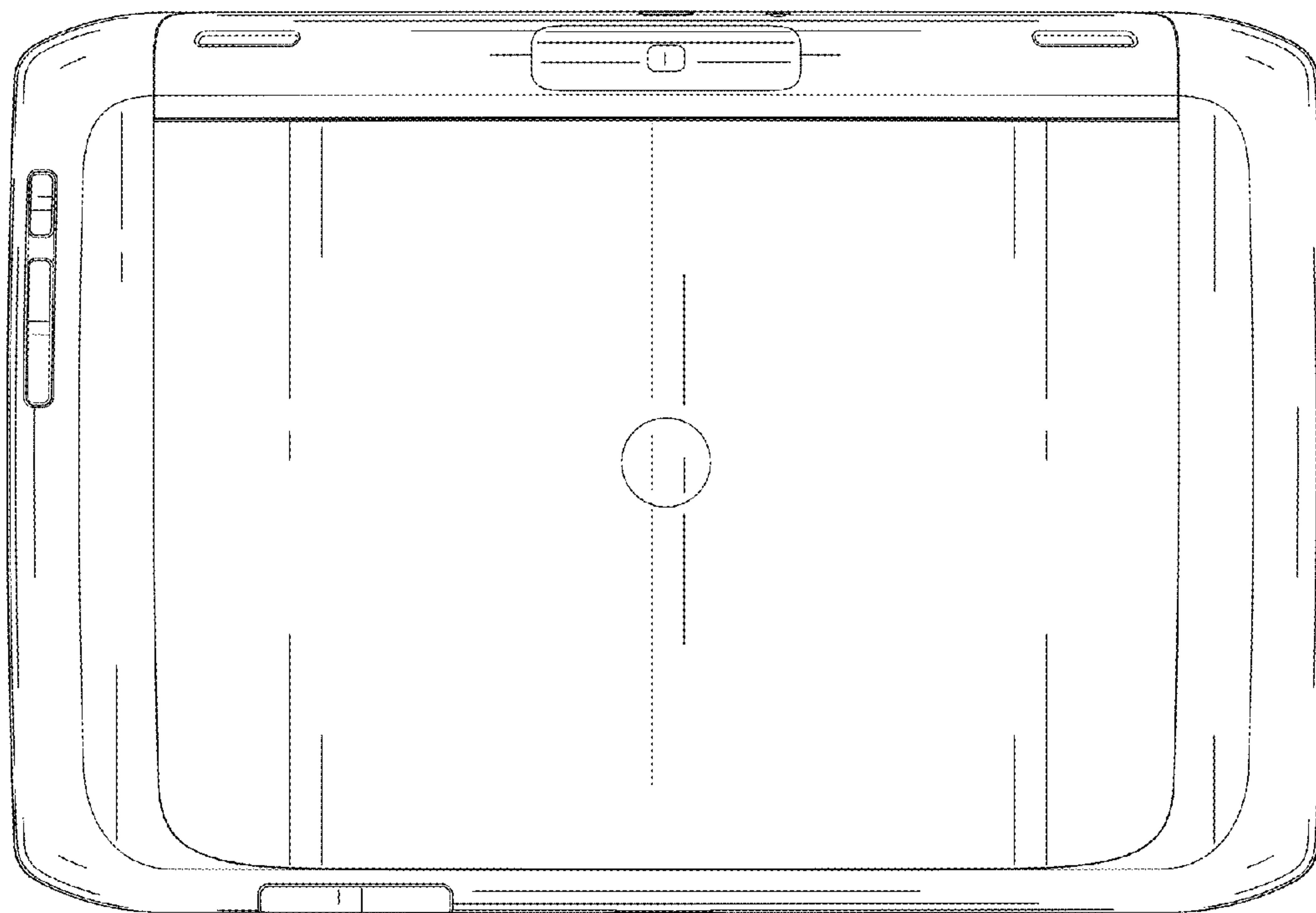


FIG. 12

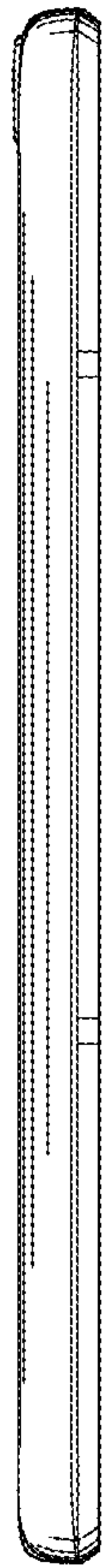


FIG. 13

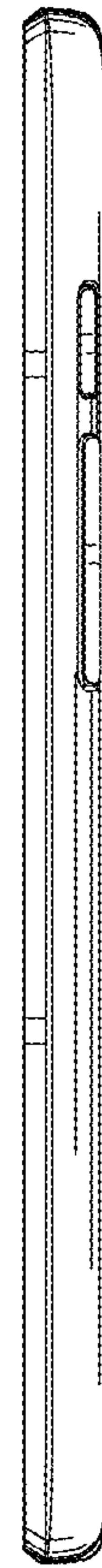


FIG. 14



FIG. 15

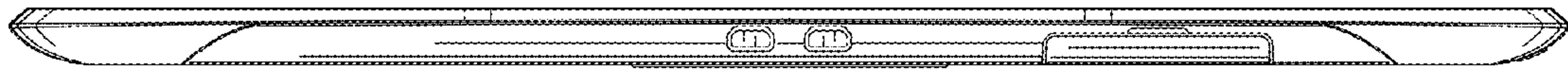


FIG. 16