



US00D687813S

(12) **United States Design Patent**
Lee

(10) **Patent No.:** **US D687,813 S**
(45) **Date of Patent:** **** Aug. 13, 2013**

(54) **SPEAKER**

(75) Inventor: **Gil-Jae Lee**, Seoul (KR)

(73) Assignee: **Samsung Electronics Co., Ltd.**,
Suwon-Si (KR)

(**) Term: **14 Years**

(21) Appl. No.: **29/431,755**

(22) Filed: **Sep. 11, 2012**

(30) **Foreign Application Priority Data**

Apr. 27, 2012 (KR) 30-2012-0020558

(51) **LOC (9) Cl.** **14-03**

(52) **U.S. Cl.**
USPC **D14/211; D14/213; D14/215**

(58) **Field of Classification Search**
USPC D14/168, 172, 194-196, 204, 207,
D14/209.1, 210-216, 221, 222; 181/143,
181/144, 147, 148, 150, 153, 157, 198, 199;
381/300-303, 306, 332, 333, 336, 345,
381/361-364, 386-388

See application file for complete search history.

(56) **References Cited**

U.S. PATENT DOCUMENTS

D284,084 S	6/1986	Ferrara, Jr.	
D306,583 S	3/1990	Krolopp et al.	
D319,242 S *	8/1991	Furuno	D14/204
D333,574 S	3/1993	Ackeret	
D337,569 S	7/1993	Kando	
D471,893 S	3/2003	Jung	
D500,991 S	1/2005	Niitsu	
D504,889 S	5/2005	Andre et al.	
D507,790 S *	7/2005	Dayan	D14/215
D520,975 S	5/2006	Kim et al.	
D529,019 S	9/2006	Lim	

D532,791 S	11/2006	Kim	
D537,072 S	2/2007	Kim et al.	
D540,780 S	4/2007	Kim	
D542,268 S *	5/2007	Heath	D14/211
D545,300 S	6/2007	Hong et al.	
D548,222 S	8/2007	Kim	
D551,655 S	9/2007	Kim	
D551,665 S	9/2007	Tom et al.	
D560,209 S	1/2008	Kim et al.	
D560,211 S	1/2008	Kim et al.	

(Continued)

FOREIGN PATENT DOCUMENTS

KR	3004583830000	8/2007
KR	3004602570000	8/2007

(Continued)

OTHER PUBLICATIONS

U.S. Appl. No. 29/393,984, Applicant: Lee, et al., filed Jun. 10, 2011
entitled Speaker.

(Continued)

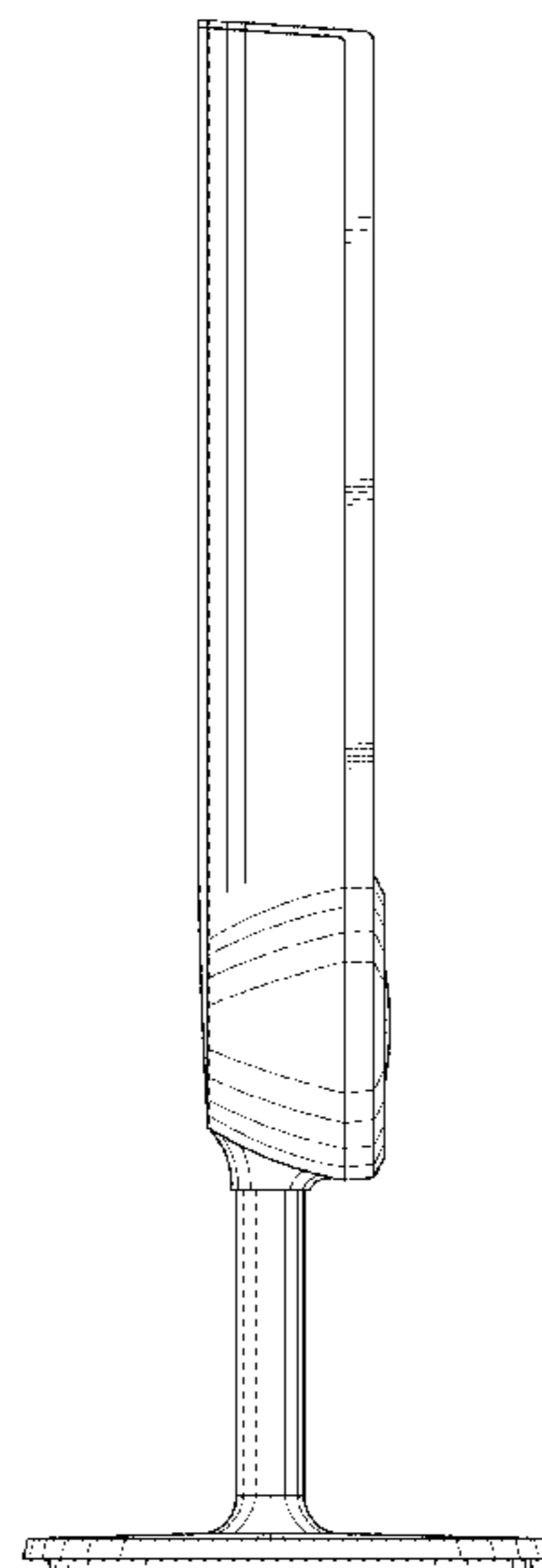
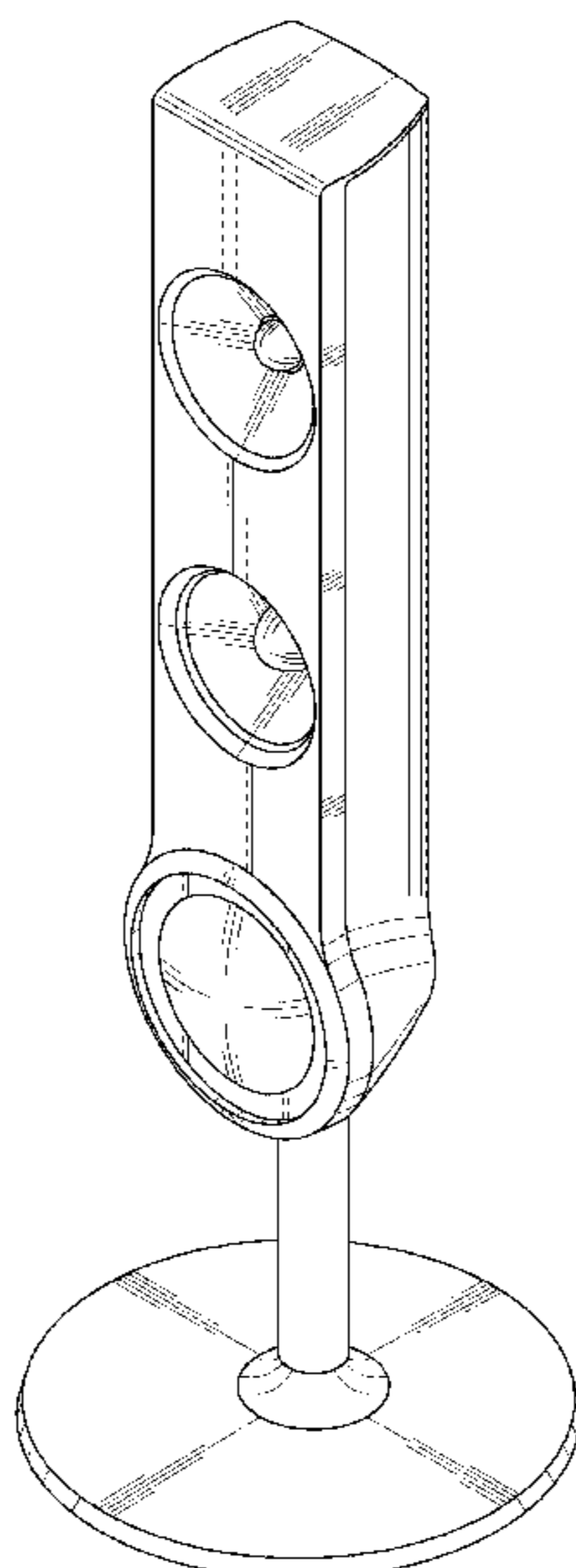
Primary Examiner — Keli L Hill
(74) *Attorney, Agent, or Firm* — Wood, Herron & Evans,
LLP

(57) **CLAIM**
The ornamental design for a speaker, as shown and described.

DESCRIPTION

FIG. 1 is a top front perspective view of a speaker showing my
new design;
FIG. 2 is a front elevational view thereof;
FIG. 3 is a rear elevational view thereof;
FIG. 4 is a left side elevational view thereof;
FIG. 5 is a right side elevational view thereof;
FIG. 6 is a top plan view thereof; and,
FIG. 7 is a bottom plan view thereof.

1 Claim, 4 Drawing Sheets



US D687,813 S

Page 2

U.S. PATENT DOCUMENTS

D560,686 S	1/2008	Kim	
D561,141 S	2/2008	Cho et al.	
D561,142 S	2/2008	Oh	
D561,161 S	2/2008	Cho	
D563,804 S	3/2008	Kimura et al.	
D567,203 S	4/2008	Park	
D570,333 S	6/2008	Cho	
D570,828 S	6/2008	Cho	
D571,785 S	6/2008	Kim	
D571,786 S	6/2008	Cho	
D573,584 S	7/2008	Kim	
D576,150 S	* 9/2008	Lim et al. D14/211
D579,003 S	10/2008	Kim et al.	
D579,915 S	11/2008	Yeo	
D579,930 S	11/2008	Maskatia	
D583,801 S	12/2008	Son et al.	
D584,286 S	1/2009	Kim	
D584,288 S	1/2009	Kim	
D584,738 S	1/2009	Kim et al.	
D586,781 S	2/2009	Kim	
D586,782 S	2/2009	Kim	
D586,785 S	2/2009	Kim	
D587,237 S	2/2009	Son et al.	
D588,103 S	3/2009	Lee et al.	
D588,104 S	3/2009	Lee et al.	
D588,576 S	3/2009	Son et al.	
D590,374 S	4/2009	Madonna et al.	
D591,269 S	4/2009	Kim et al.	
D592,179 S	5/2009	Ichinose et al.	
D592,214 S	5/2009	Bradford	
D593,068 S	5/2009	Kim et al.	
D593,069 S	5/2009	Son et al.	
D598,899 S	8/2009	Tkachuk	
D602,014 S	10/2009	Andre et al.	
D602,487 S	10/2009	Maskatia	
D605,626 S	12/2009	Park	
D610,582 S	2/2010	Sugitani et al.	
D611,364 S	3/2010	Lenz et al.	
D613,310 S	4/2010	Kim	
D613,311 S	4/2010	Kim	
D613,510 S	4/2010	Tzeng et al.	
D613,951 S	4/2010	Tang et al.	
D615,963 S	5/2010	Cho et al.	
D617,793 S	6/2010	Chiang et al.	
D622,270 S	8/2010	Andre et al.	
D624,047 S	9/2010	Kim	
D624,048 S	9/2010	Kim	
D627,667 S	11/2010	Lenz et al.	
D628,556 S	12/2010	Lee et al.	
D628,913 S	12/2010	Cheng	

D629,388 S	12/2010	Son et al.	
D629,799 S	12/2010	Andre et al.	
D631,868 S	2/2011	Chung	
D633,076 S	2/2011	Kim et al.	
D634,302 S	* 3/2011	Chung et al. D14/211
D640,255 S	6/2011	Lee et al.	
D657,774 S	4/2012	Chung et al.	
D660,285 S	5/2012	Lee et al.	
D660,286 S	5/2012	Lee et al.	
D671,525 S	11/2012	Chung	
D672,751 S	* 12/2012	Davies et al. D14/215
D676,025 S	* 2/2013	Davies et al. D14/215
D676,422 S	* 2/2013	Onoue D14/214
D678,246 S	* 3/2013	Davies et al. D14/215
2009/0231292 A1	9/2009	Hsieh et al.	

FOREIGN PATENT DOCUMENTS

KR	3004608520000	8/2007
KR	3004659690000	10/2007
KR	3005005060000	7/2008
KR	3005992810000	5/2011
KR	3006052260000	7/2011
KR	3006060320000	7/2011
KR	3006063520000	7/2011
KR	3006067150000	7/2011
KR	3006067180000	7/2011
KR	3006067290000	7/2011
KR	3006067430000	7/2011
KR	3006067570000	7/2011
KR	3006076710000	8/2011

OTHER PUBLICATIONS

U.S. Appl. No. 29/393,985, Applicant: Lee, et al., filed Jun. 10, 2011 entitled Speaker.

U.S. Appl. No. 29/430,828, Applicant: Lee, Gwon-Gak, filed Sep. 30, 2012 entitled Speaker.

U.S. Appl. No. 29/419,031, Applicant: Shim et al., filed Apr. 24, 2012 entitled Speaker.

U.S. Appl. No. 29/419,036, Applicant: Lee et al., filed Apr. 24, 2012 entitled Speaker.

U.S. Appl. No. 29/428,264, Applicant: Son et al., filed Jul. 27, 2012 entitled Speaker.

U.S. Appl. No. 29/430,812, Applicant: Lee, Gil-Jae., filed Aug. 30, 2012 entitled Speaker.

U.S. Appl. No. 29/431,753, Applicant: Lee et al., filed Sep. 11, 2012 entitled Speaker.

U.S. Appl. No. 29/430,822, Applicant: Lee, Gwon-Gak, filed Sep. 30, 2012 entitled Speaker.

* cited by examiner

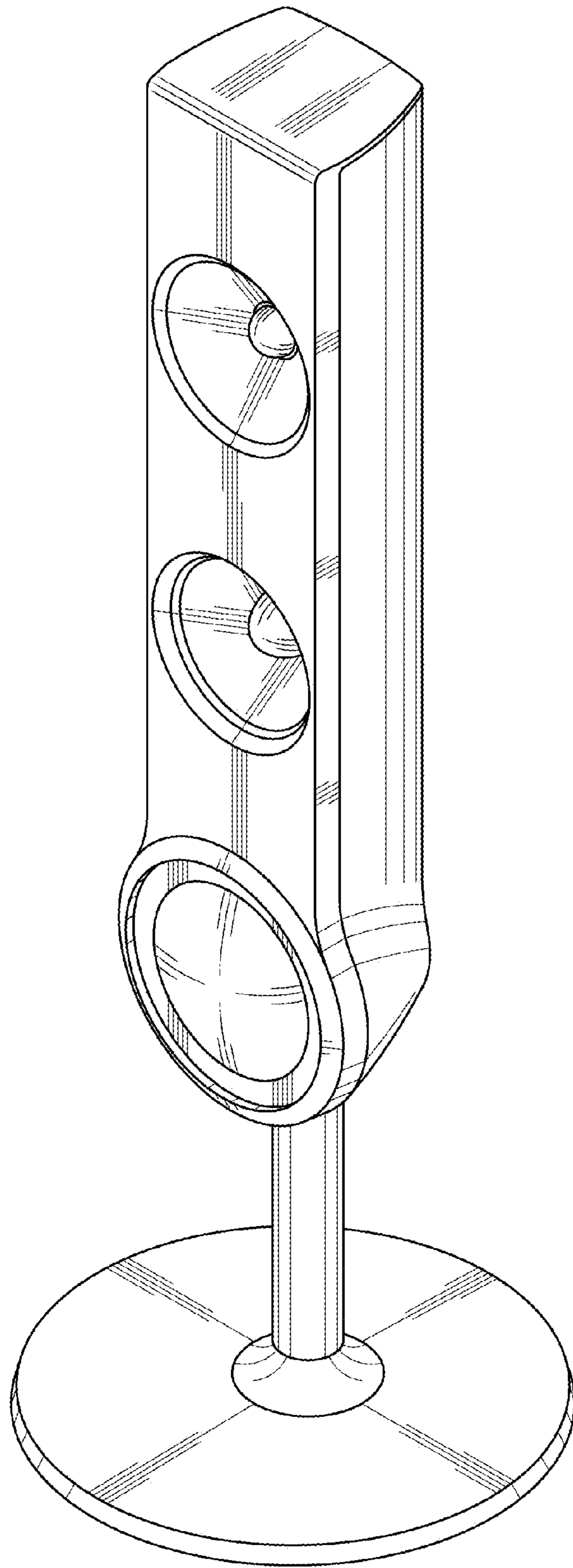


FIG.1

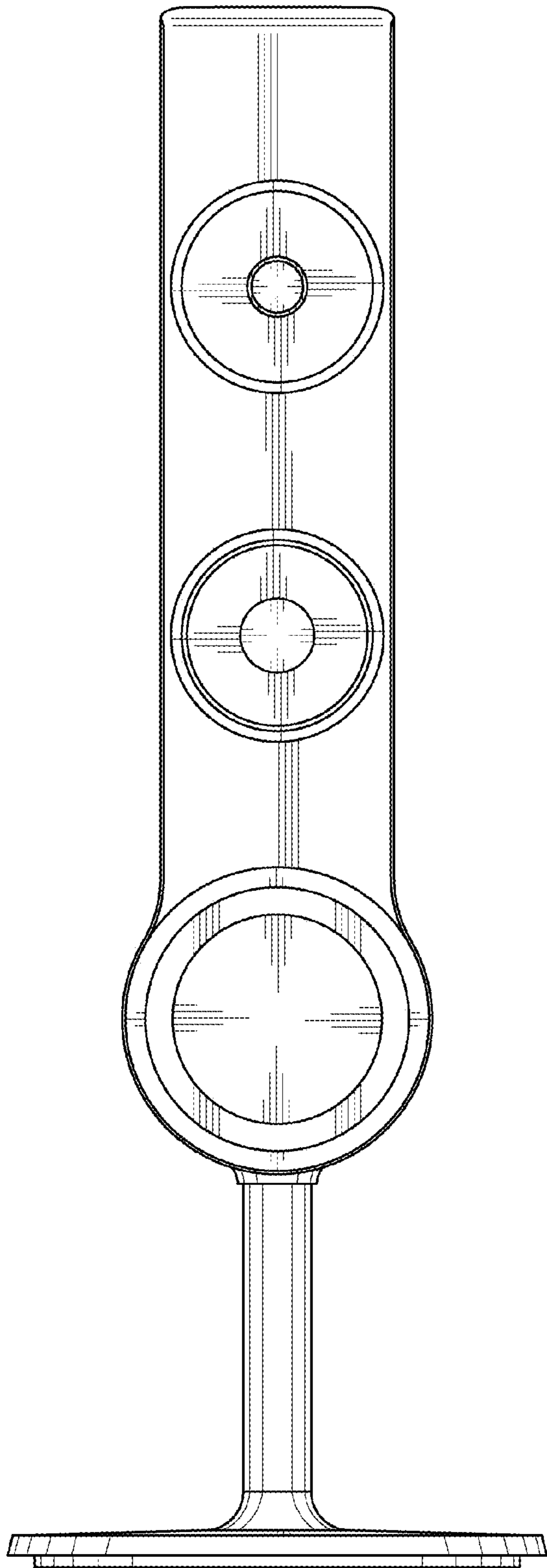


FIG. 2

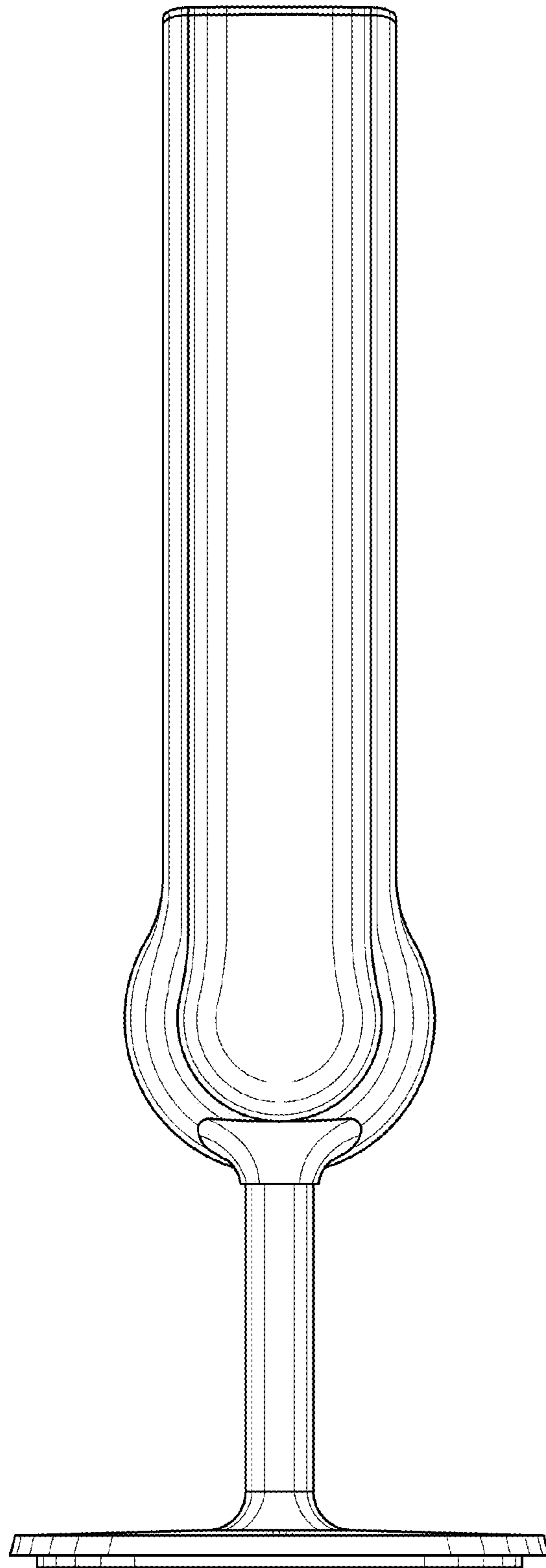


FIG. 3

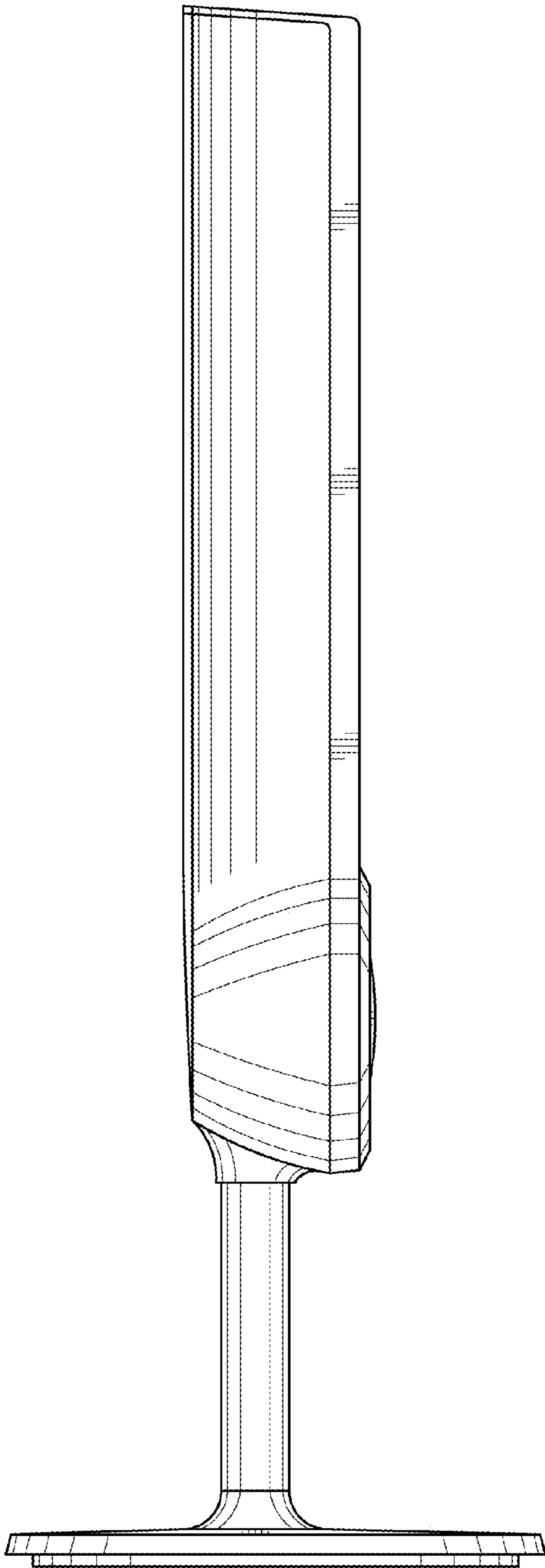


FIG. 4

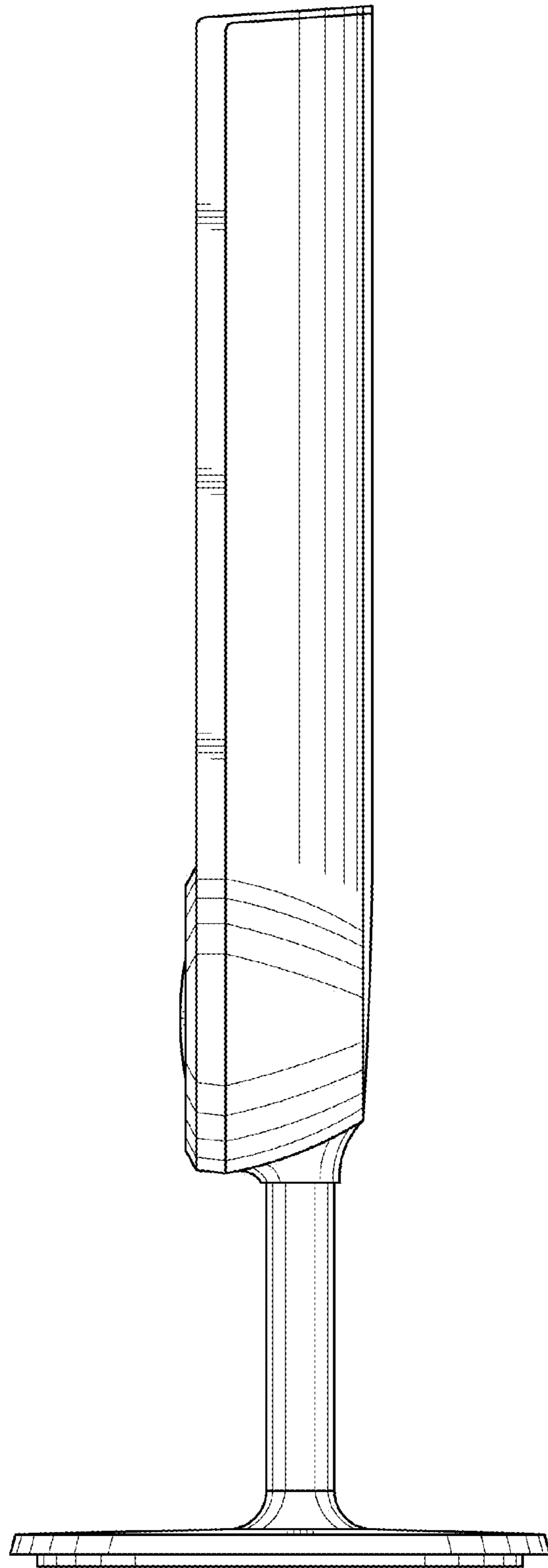


FIG. 5

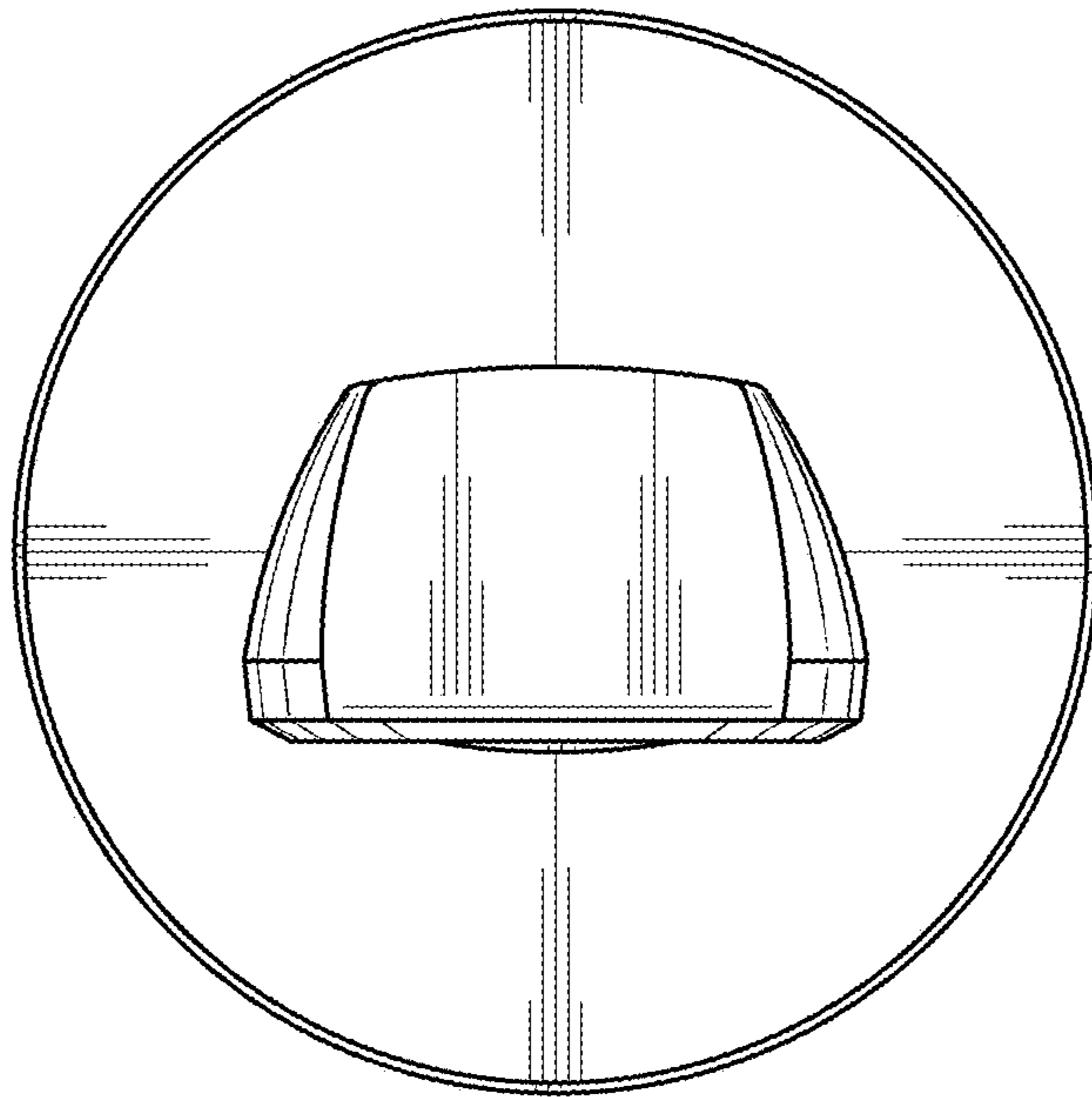


FIG. 6

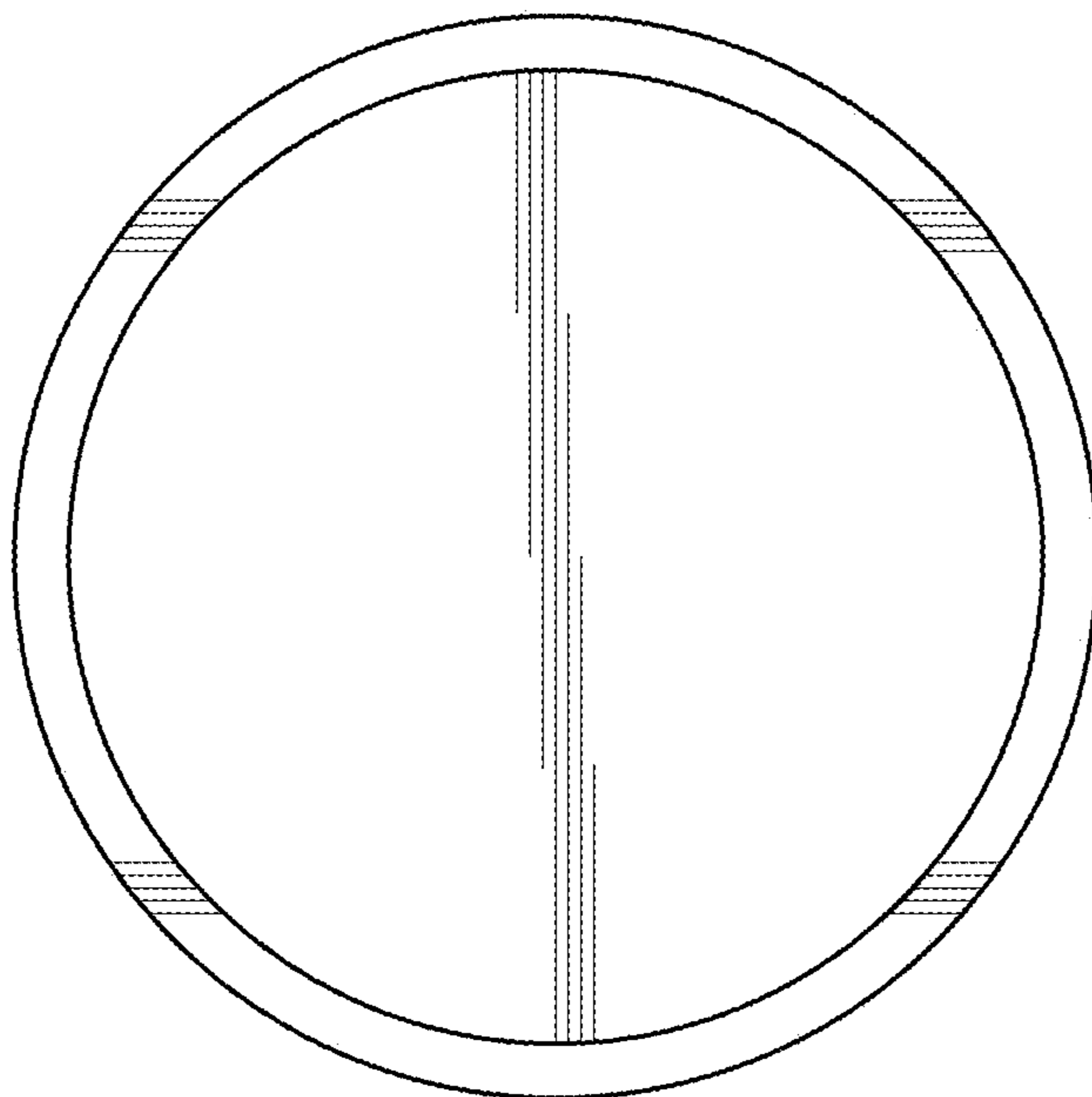


FIG. 7