



US00D687812S

(12) **United States Design Patent**  
**Lee**

(10) **Patent No.:** **US D687,812 S**  
(45) **Date of Patent:** **\*\* Aug. 13, 2013**

(54) **SPEAKER**

(75) Inventor: **Gil-Jae Lee**, Seoul (KR)

(73) Assignee: **Samsung Electronics Co., Ltd.**,  
Suwon-Si (KR)

(\*\*) Term: **14 Years**

(21) Appl. No.: **29/431,753**

(22) Filed: **Sep. 11, 2012**

(30) **Foreign Application Priority Data**

Apr. 25, 2012 (KR) ..... 30-2012-0019815

(51) **LOC (9) Cl.** ..... **14-03**

(52) **U.S. Cl.**  
USPC ..... **D14/211; D14/213**

(58) **Field of Classification Search**  
USPC ..... D14/168, 172, 194-196, 204, 207,  
D14/209.1, 210-216, 221, 222; 181/143,  
181/144, 147, 148, 150, 153, 157, 198, 199;  
381/300-303, 306, 332, 333, 336, 345,  
361-364, 386-388

See application file for complete search history.

(56) **References Cited**

**U.S. PATENT DOCUMENTS**

D284,084 S	6/1986	Ferrara, Jr.	
D306,583 S	3/1990	Krolopp et al.	
D319,242 S *	8/1991	Furuno	D14/204
D333,574 S	3/1993	Ackeret	
D337,569 S	7/1993	Kando	
D368,710 S *	4/1996	Althans	D14/128
D471,893 S	3/2003	Jung	
D494,565 S *	8/2004	Yao	D14/215
D500,991 S	1/2005	Niitsu	
D504,889 S	5/2005	Andre et al.	
D520,975 S	5/2006	Kim et al.	

D529,019 S	9/2006	Lim
D532,791 S	11/2006	Kim
D537,072 S	2/2007	Kim et al.
D540,780 S	4/2007	Kim
D545,300 S	6/2007	Hong et al.
D548,222 S	8/2007	Kim
D551,655 S	9/2007	Kim
D551,665 S	9/2007	Tom et al.
D560,209 S	1/2008	Kim et al.
D560,211 S	1/2008	Kim et al.

(Continued)

**FOREIGN PATENT DOCUMENTS**

KR	3004583830000	8/2007
KR	3004602570000	8/2007

(Continued)

**OTHER PUBLICATIONS**

U.S. Appl. No. 29/393,984, Applicant: Lee, et al., filed Jun. 10, 2011  
entitled Speaker.

(Continued)

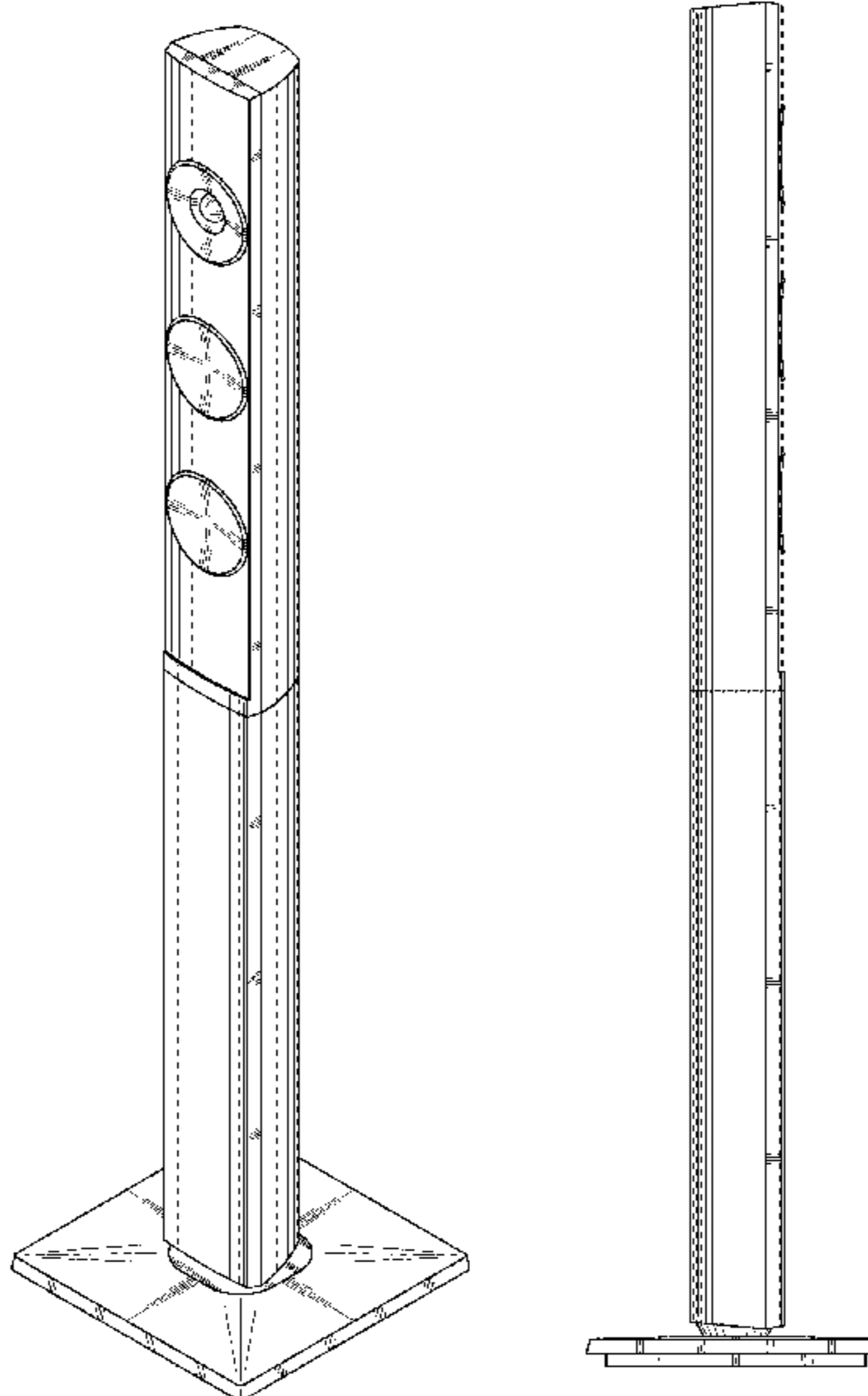
*Primary Examiner* — Keli L Hill  
(74) *Attorney, Agent, or Firm* — Wood, Herron & Evans,  
LLP

(57) **CLAIM**  
The ornamental design for a speaker, as shown and described.

**DESCRIPTION**

FIG. 1 is a top front perspective view of a speaker showing my  
new design;  
FIG. 2 is a front elevational view thereof;  
FIG. 3 is a rear elevational view thereof;  
FIG. 4 is a left side elevational view thereof;  
FIG. 5 is a right side elevational view thereof;  
FIG. 6 is a top plan view thereof; and,  
FIG. 7 is a bottom plan view thereof.

**1 Claim, 4 Drawing Sheets**



# US D687,812 S

Page 2

## U.S. PATENT DOCUMENTS

D560,686 S 1/2008 Kim  
D561,141 S 2/2008 Cho et al.  
D561,142 S 2/2008 Oh  
D561,161 S 2/2008 Cho  
D563,804 S 3/2008 Kimura et al.  
D567,203 S 4/2008 Park  
D570,333 S 6/2008 Cho  
D570,828 S 6/2008 Cho  
D571,785 S 6/2008 Kim  
D571,786 S 6/2008 Cho  
D573,584 S 7/2008 Kim  
D579,003 S 10/2008 Kim et al.  
D579,915 S 11/2008 Yeo  
D579,930 S 11/2008 Maskatia  
D583,801 S 12/2008 Son et al.  
D584,286 S 1/2009 Kim  
D584,288 S 1/2009 Kim  
D584,738 S 1/2009 Kim et al.  
D586,781 S 2/2009 Kim  
D586,782 S 2/2009 Kim  
D586,785 S 2/2009 Kim  
D587,237 S 2/2009 Son et al.  
D588,103 S 3/2009 Lee et al.  
D588,104 S 3/2009 Lee et al.  
D588,576 S 3/2009 Son et al.  
D590,374 S 4/2009 Madonna et al.  
D591,269 S 4/2009 Kim et al.  
D592,179 S 5/2009 Ichinose et al.  
D592,214 S 5/2009 Bradford  
D593,068 S 5/2009 Kim et al.  
D593,069 S 5/2009 Son et al.  
D598,899 S 8/2009 Tkachuk  
D602,014 S 10/2009 Andre et al.  
D602,487 S 10/2009 Maskatia  
D605,626 S 12/2009 Park  
D610,582 S 2/2010 Sugitani et al.  
D611,364 S 3/2010 Lenz et al.  
D613,310 S 4/2010 Kim  
D613,311 S 4/2010 Kim  
D613,510 S 4/2010 Tzeng et al.  
D613,951 S 4/2010 Tang et al.  
D615,963 S 5/2010 Cho et al.  
D617,793 S 6/2010 Chiang et al.  
D622,270 S 8/2010 Andre et al.  
D624,047 S 9/2010 Kim  
D624,048 S 9/2010 Kim  
D627,667 S 11/2010 Lenz et al.  
D628,556 S 12/2010 Lee et al.  
D628,913 S 12/2010 Cheng  
D629,388 S 12/2010 Son et al.

D629,799 S 12/2010 Andre et al.  
D631,868 S 2/2011 Chung  
D633,076 S 2/2011 Kim et al.  
D634,302 S 3/2011 Chung et al.  
D640,255 S 6/2011 Lee et al.  
D657,774 S 4/2012 Chung et al.  
D660,285 S 5/2012 Lee et al.  
D660,286 S 5/2012 Lee et al.  
D671,525 S 11/2012 Chung  
D672,751 S \* 12/2012 Davies et al. .... D14/215  
D676,422 S \* 2/2013 Onoue ..... D14/214  
2009/0231292 A1 9/2009 Hsieh et al.

## FOREIGN PATENT DOCUMENTS

KR 3004608520000 8/2007  
KR 3004659690000 10/2007  
KR 3005005060000 7/2008  
KR 3005992810000 5/2011  
KR 3006052260000 7/2011  
KR 3006060320000 7/2011  
KR 3006063520000 7/2011  
KR 3006067150000 7/2011  
KR 3006067180000 7/2011  
KR 3006067290000 7/2011  
KR 3006067430000 7/2011  
KR 3006067570000 7/2011  
KR 3006076710000 8/2011

## OTHER PUBLICATIONS

U.S. Appl. No. 29/393,985, Applicant: Lee, et al., filed Jun. 10, 2011 entitled Speaker.  
U.S. Appl. No. 29/430,828, Applicant: Lee, Gwon-Gak, filed Sep. 30, 2012 entitled Speaker.  
U.S. Appl. No. 29/419,031, Applicant: Shim et al., filed Apr. 24, 2012 entitled Speaker.  
U.S. Appl. No. 29/419,036, Applicant: Lee et al., filed Apr. 24, 2012 entitled Speaker.  
U.S. Appl. No. 29/428,264, Applicant: Son et al., filed Jul. 27, 2012 entitled Speaker.  
U.S. Appl. No. 29/430,812, Applicant: Lee, Gil-Jae., filed Aug. 30, 2012 entitled Speaker.  
U.S. Appl. No. 29/431,755, Applicant: Lee, Gil-Jae, filed Sep. 11, 2012 entitled Speaker.  
U.S. Appl. No. 29/430,822, Applicant: Lee, Gwon-Gak, filed Sep. 30, 2012 entitled Speaker.

\* cited by examiner

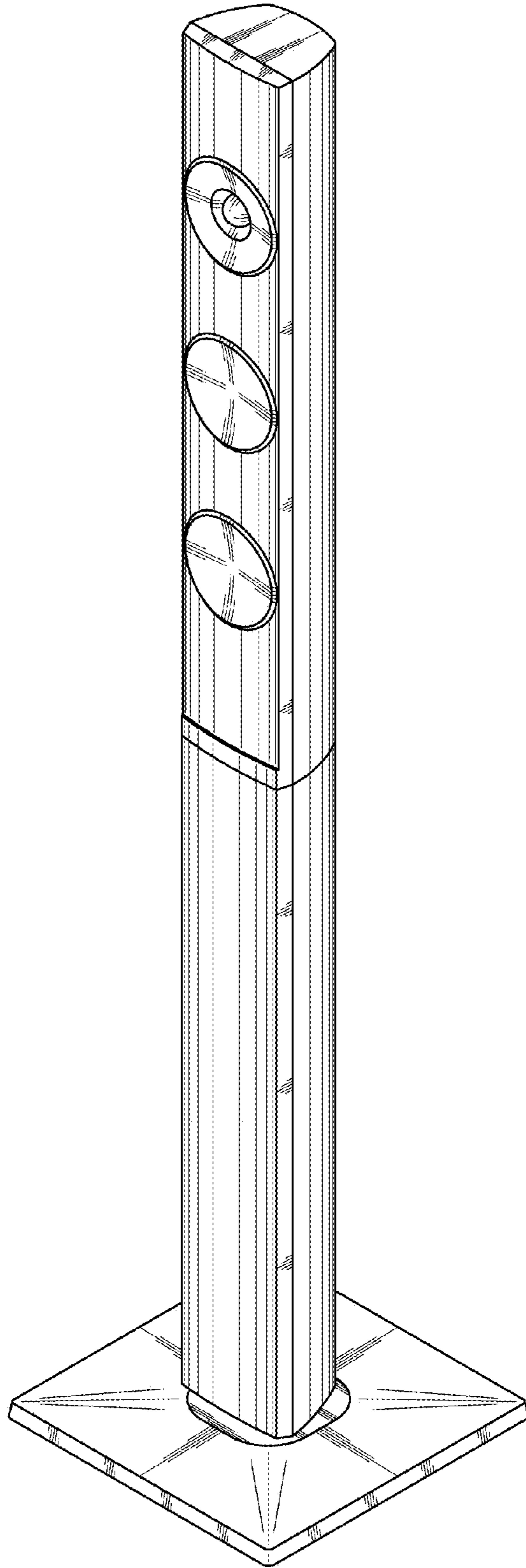


FIG.1

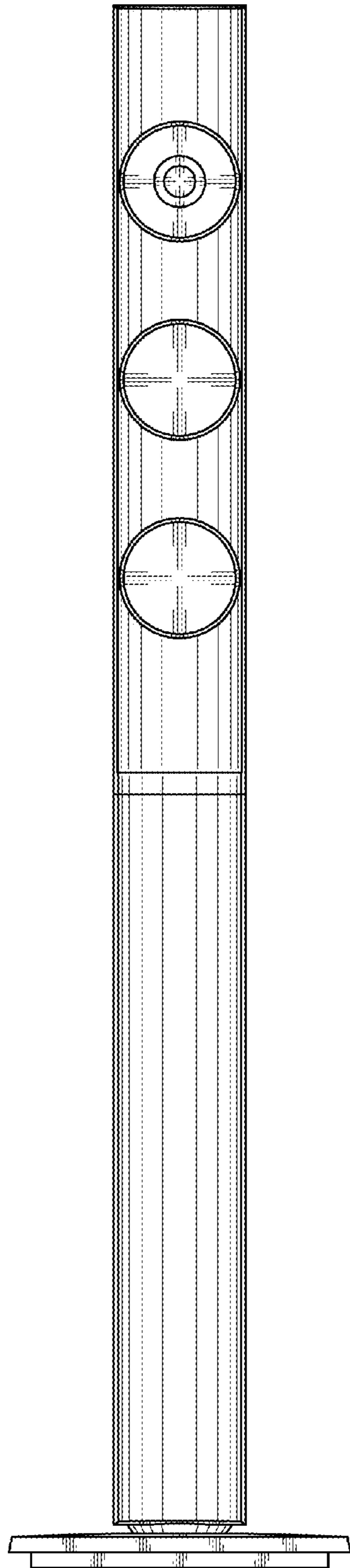


FIG. 2

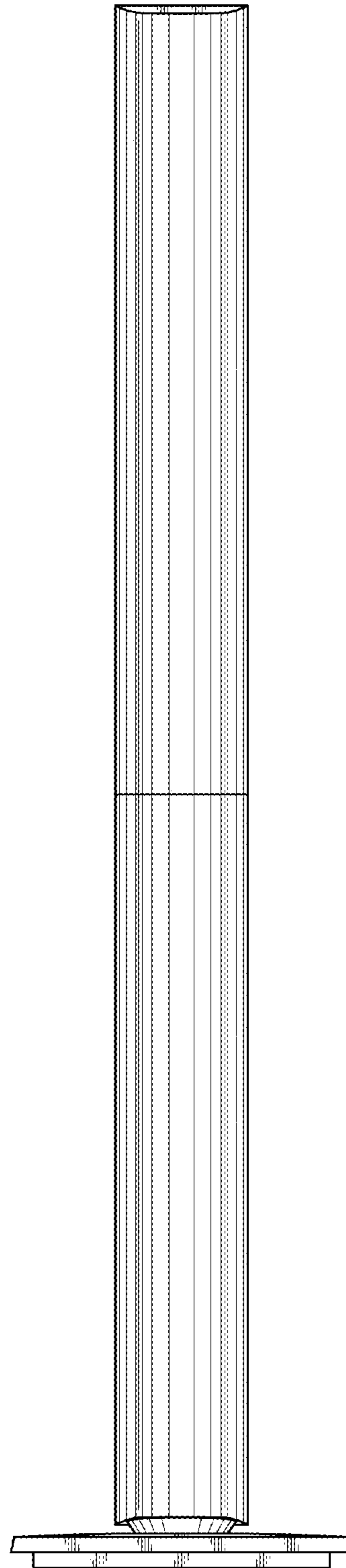


FIG. 3



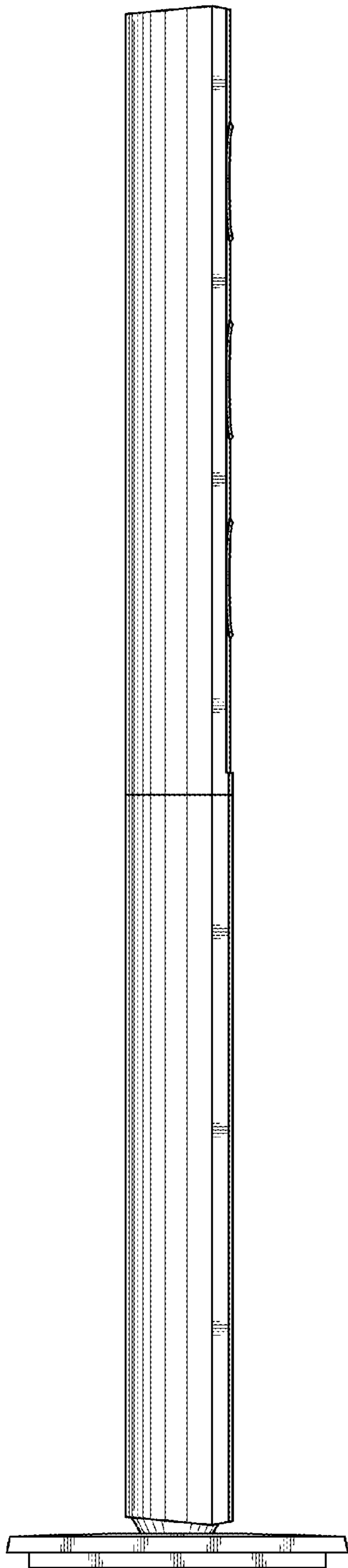


FIG. 4

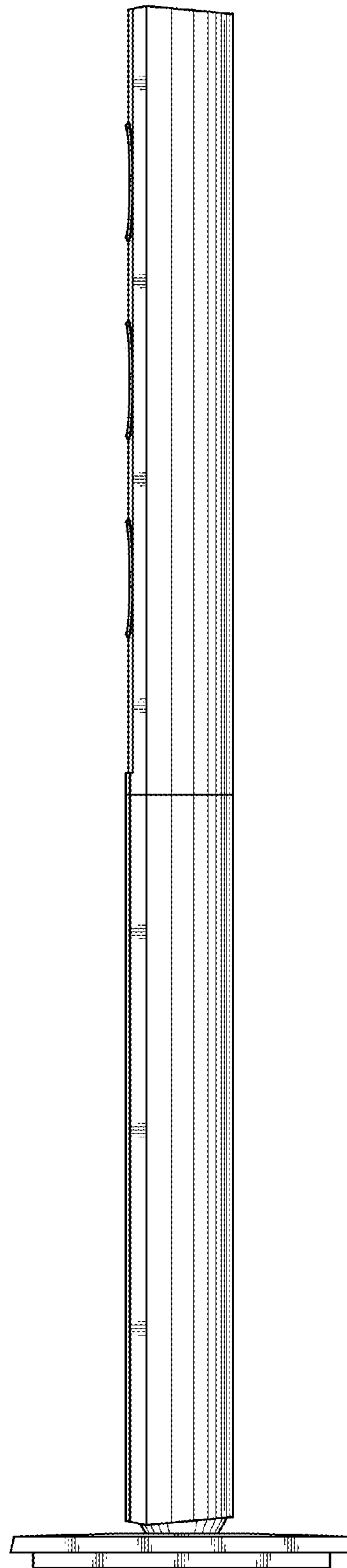


FIG. 5

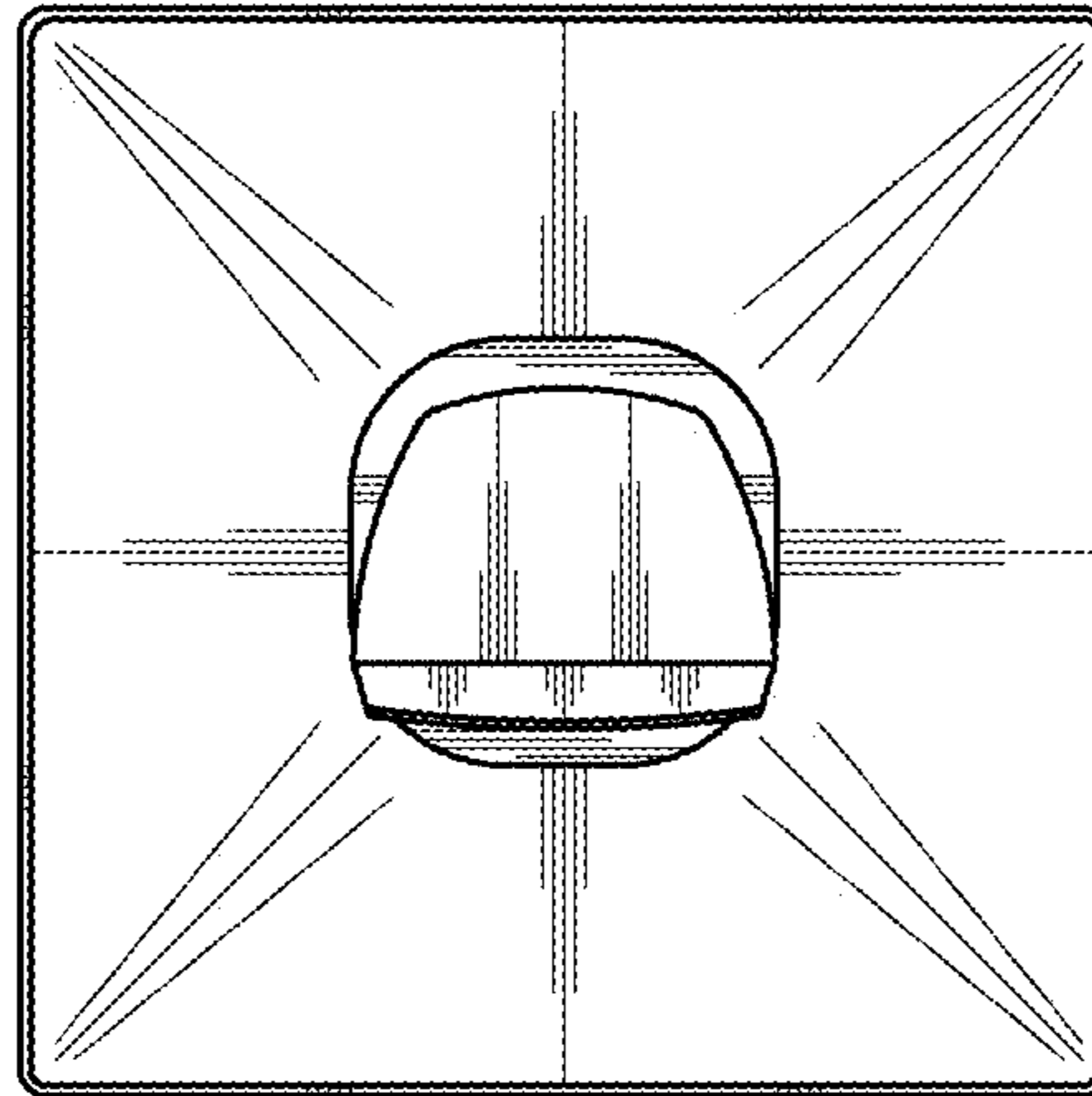


FIG. 6

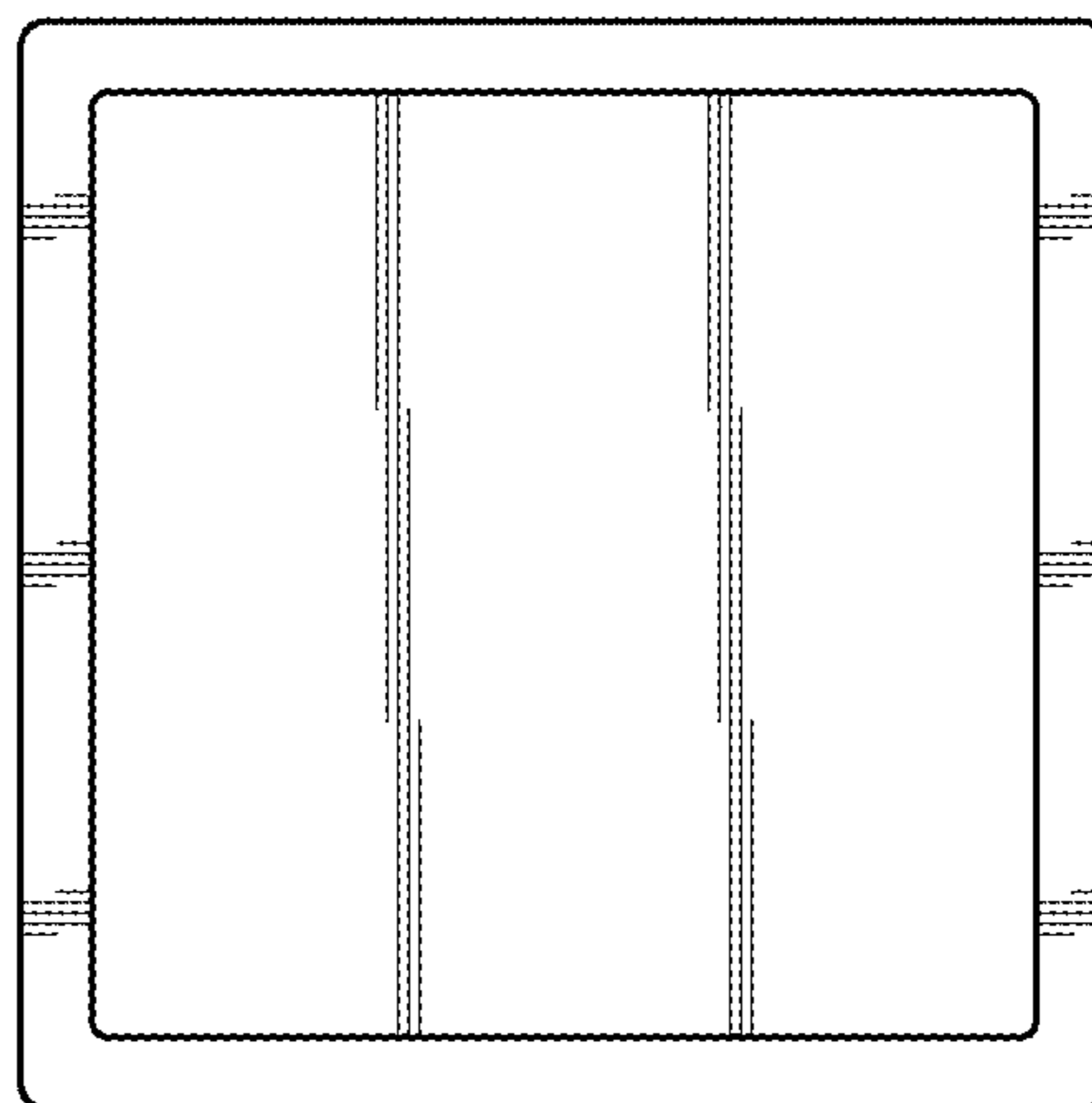


FIG. 7