



US00D687811S

(12) **United States Design Patent**
Lee et al.

(10) **Patent No.:** **US D687,811 S**
(45) **Date of Patent:** **** Aug. 13, 2013**

(54) **SPEAKER**
(75) Inventors: **Soo-Jung Lee**, Hwaseong (KR);
Sang-Min Hyun, Seoul (KR)
(73) Assignee: **Samsung Electronics Co., Ltd.**,
Suwon-Si (KR)

D551,665 S 9/2007 Tom et al.
D560,209 S 1/2008 Kim et al.
D560,211 S 1/2008 Kim et al.
D560,686 S 1/2008 Kim
D561,141 S 2/2008 Cho et al.
D561,142 S 2/2008 Oh
D561,161 S 2/2008 Cho
D567,203 S 4/2008 Park

(Continued)

(**) Term: **14 Years**

FOREIGN PATENT DOCUMENTS

(21) Appl. No.: **29/419,036**

KR 3004583830000 8/2007
KR 3004602570000 8/2007

(22) Filed: **Apr. 24, 2012**

(Continued)

(30) **Foreign Application Priority Data**

OTHER PUBLICATIONS

Oct. 25, 2011 (KR) 30-2011-0044567

U.S. Appl. No. 29/419,031, Applicant: Shim et al., filed Apr. 24, 2012
entitled Speaker.

(51) **LOC (9) Cl.** **14-03**

(Continued)

(52) **U.S. Cl.**
USPC **D14/211**

(58) **Field of Classification Search**
USPC D14/168, 172, 194-196, 204, 207,
D14/209.1, 210-216, 221, 222; 181/143,
181/144, 147, 148, 150, 153, 157, 198, 199;
381/300-303, 306, 332, 333, 336, 345,
361-364, 386-388

Primary Examiner — Keli L Hill
(74) *Attorney, Agent, or Firm* — Wood, Herron & Evans,
LLP

See application file for complete search history.

(57) **CLAIM**
The ornamental design for a speaker, as shown and described.

(56) **References Cited**

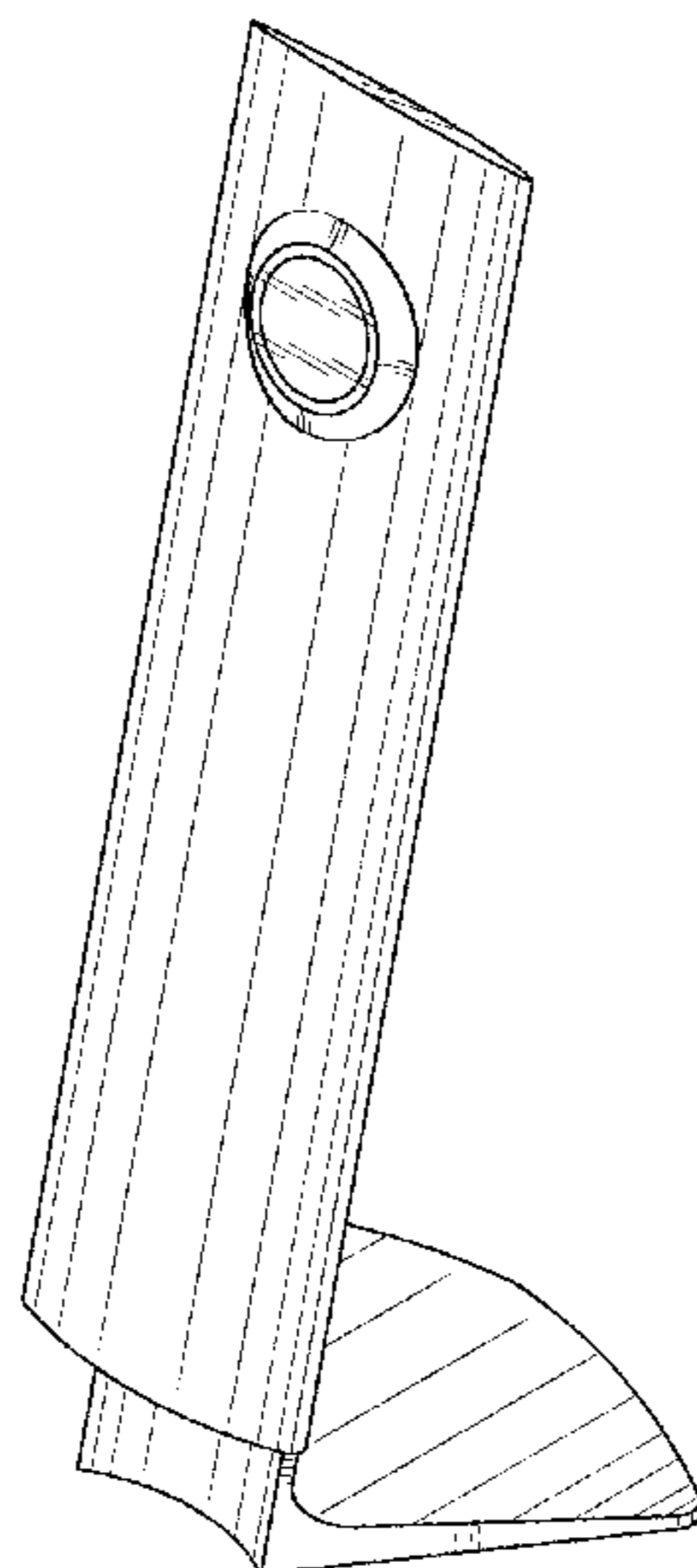
DESCRIPTION

U.S. PATENT DOCUMENTS

D302,979 S * 8/1989 Sanders D14/214
D471,893 S 3/2003 Jung
D491,552 S * 6/2004 Niitsu D14/211
D520,975 S 5/2006 Kim et al.
D529,019 S 9/2006 Lim
D537,072 S 2/2007 Kim et al.
D540,780 S 4/2007 Kim
D545,300 S 6/2007 Hong et al.
D548,222 S 8/2007 Kim
D551,655 S 9/2007 Kim

FIG. 1 is a top front perspective view of a speaker showing our
new design;
FIG. 2 is a front elevational view thereof;
FIG. 3 is a rear elevational view thereof;
FIG. 4 is a left side elevational view thereof;
FIG. 5 is a right side elevational view thereof;
FIG. 6 is a top plan view thereof;
FIG. 7 is a bottom plan view thereof; and,
FIG. 8 is a right side view thereof when the control button is
intruded into the speaker body.

1 Claim, 4 Drawing Sheets



US D687,811 S

Page 2

U.S. PATENT DOCUMENTS

D570,333 S 6/2008 Cho
D570,828 S 6/2008 Cho
D571,785 S 6/2008 Kim
D571,786 S 6/2008 Cho
D573,584 S 7/2008 Kim
D576,150 S * 9/2008 Lim et al. D14/211
D579,003 S 10/2008 Kim et al.
D579,915 S 11/2008 Yeo
D583,801 S 12/2008 Son et al.
D584,286 S 1/2009 Kim
D584,288 S 1/2009 Kim
D586,781 S 2/2009 Kim
D586,782 S 2/2009 Kim
D586,785 S 2/2009 Kim
D587,237 S 2/2009 Son et al.
D588,103 S 3/2009 Lee et al.
D588,104 S 3/2009 Lee et al.
D588,576 S 3/2009 Son et al.
D591,269 S 4/2009 Kim et al.
D592,179 S 5/2009 Ichinose et al.
D593,068 S 5/2009 Kim et al.
D593,069 S 5/2009 Son et al.
D597,528 S * 8/2009 Kira D14/211
D598,899 S 8/2009 Tkachuk
D613,310 S 4/2010 Kim
D613,311 S 4/2010 Kim
D615,963 S 5/2010 Cho et al.
D624,047 S 9/2010 Kim
D624,048 S 9/2010 Kim
D628,556 S 12/2010 Lee et al.
D629,388 S 12/2010 Son et al.
D631,868 S 2/2011 Chung
D633,076 S 2/2011 Kim et al.

D634,302 S 3/2011 Chung et al.
D645,448 S * 9/2011 Kim et al. D14/211
D657,774 S 4/2012 Chung et al.
D660,285 S 5/2012 Lee et al.
D660,286 S 5/2012 Lee et al.
D670,268 S * 11/2012 Allen D14/211
D671,524 S * 11/2012 Fathollahi D14/211

FOREIGN PATENT DOCUMENTS

KR 3004608520000 8/2007
KR 3004659690000 10/2007
KR 3005005060000 7/2008
KR 3005992810000 5/2011
KR 3006052260000 7/2011
KR 3006060320000 7/2011
KR 3006063520000 7/2011
KR 3006067150000 7/2011
KR 3006067180000 7/2011
KR 3006067290000 7/2011
KR 3006067430000 7/2011
KR 3006067570000 7/2011
KR 3006076710000 8/2011

OTHER PUBLICATIONS

U.S. Appl. No. 29/393,944, Applicant: Yeon-Moo Chung, filed Jun. 10, 2011 entitled Speaker.
U.S. Appl. No. 29/393,984, Applicant: Lee, et al., filed Jun. 10, 2011 entitled Speaker.
U.S. Appl. No. 29/393,985, Applicant: Lee, et al., filed Jun. 10, 2011 entitled Speaker.

* cited by examiner

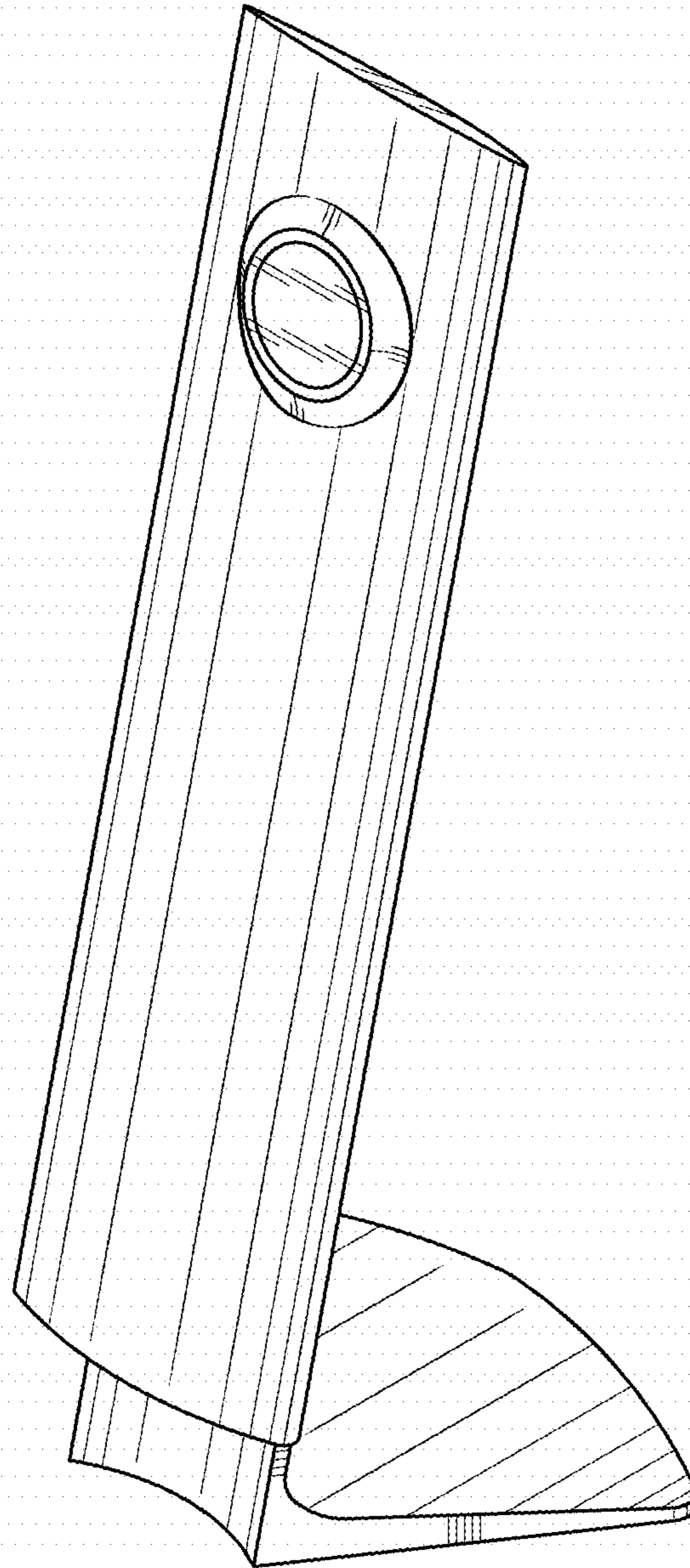


FIG. 1

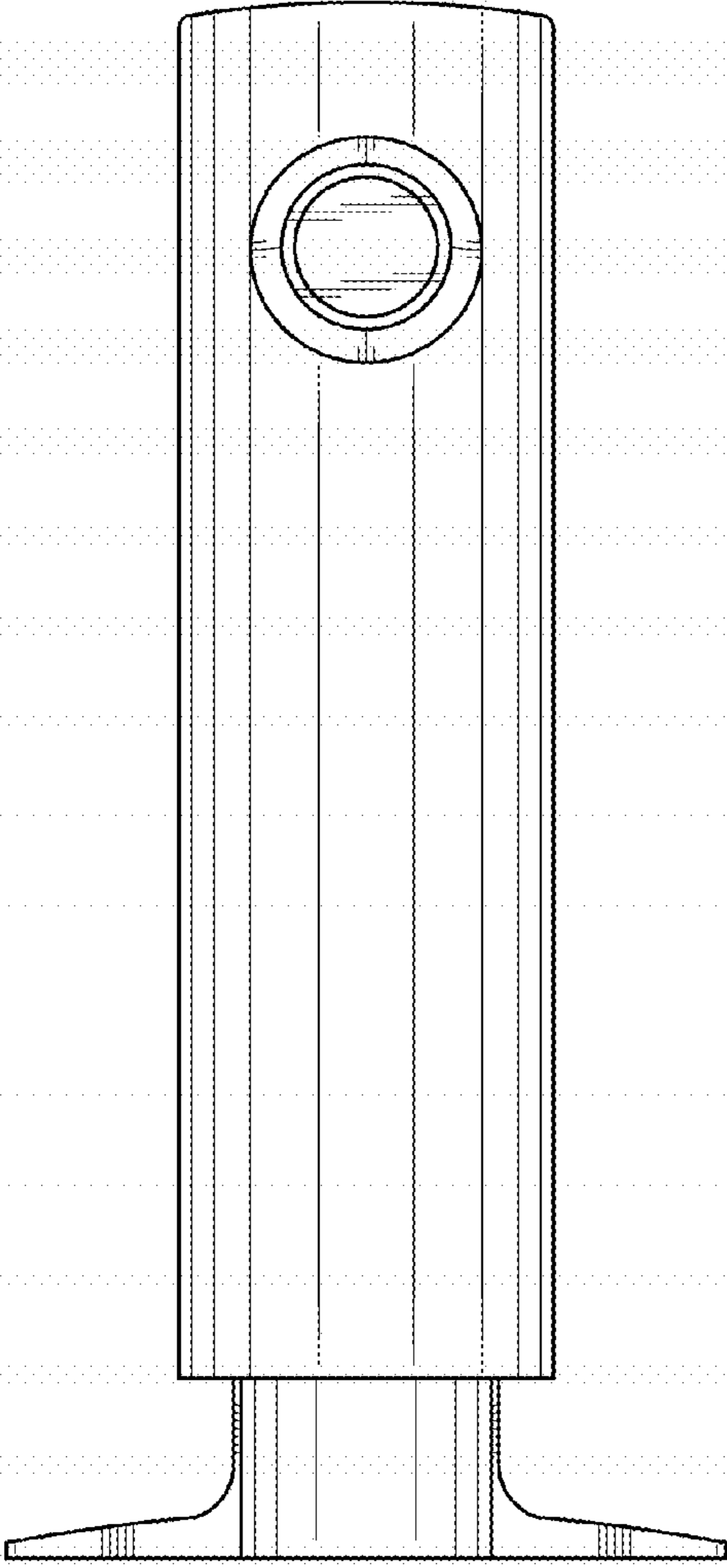


FIG. 2

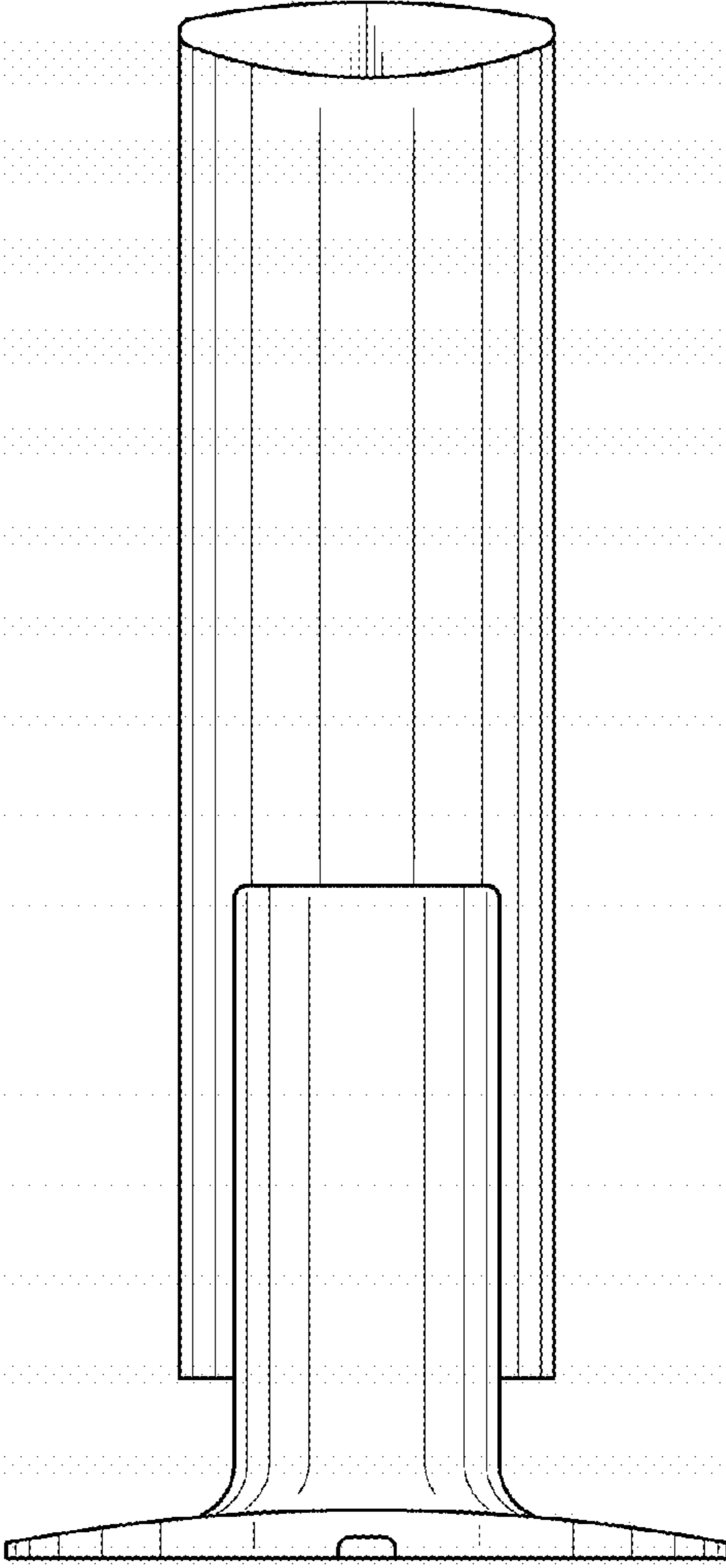


FIG. 3

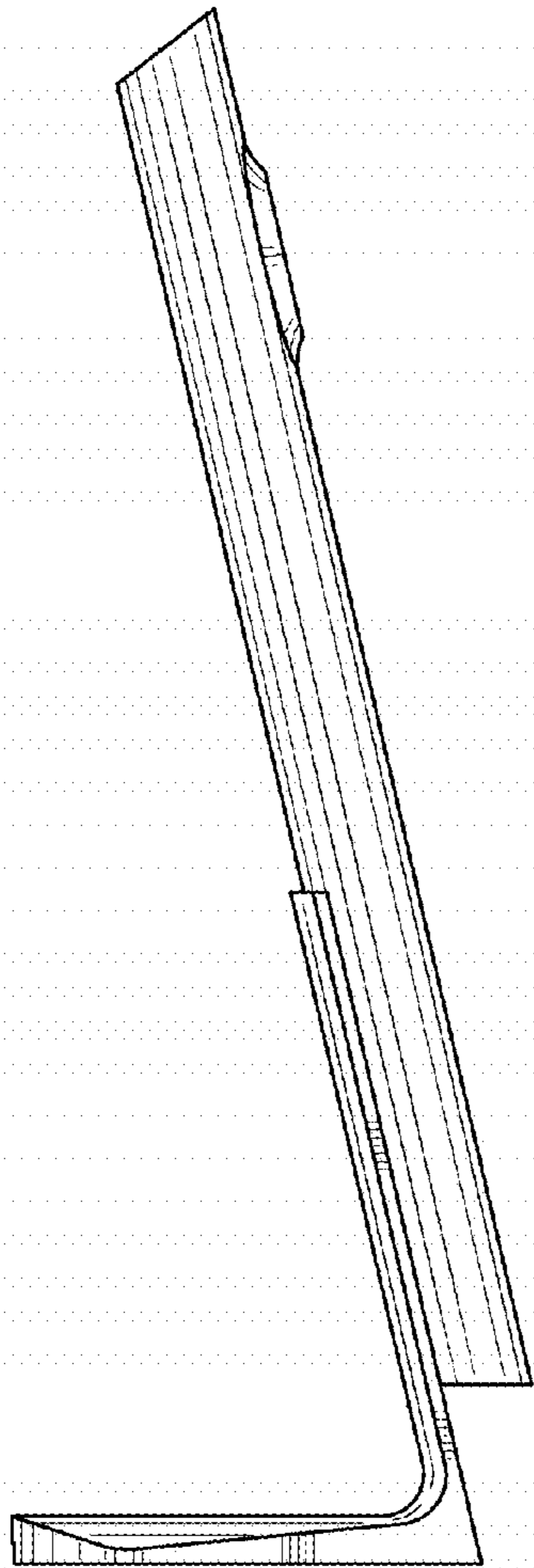


FIG. 4

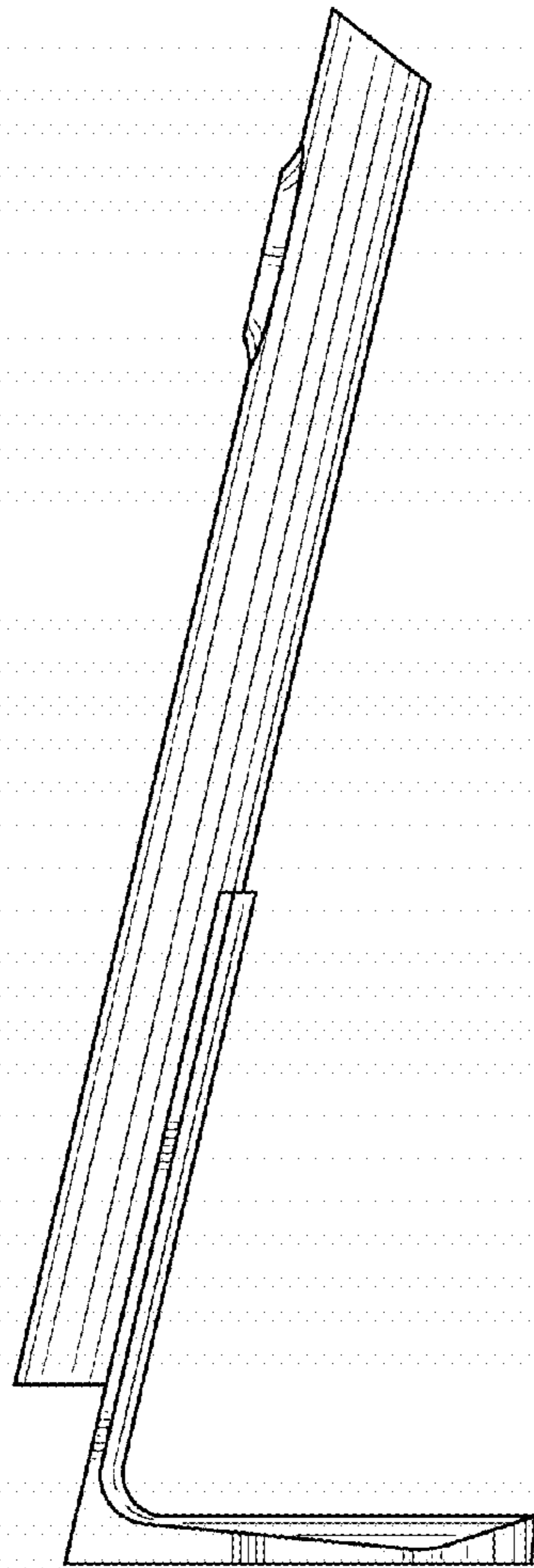


FIG. 5

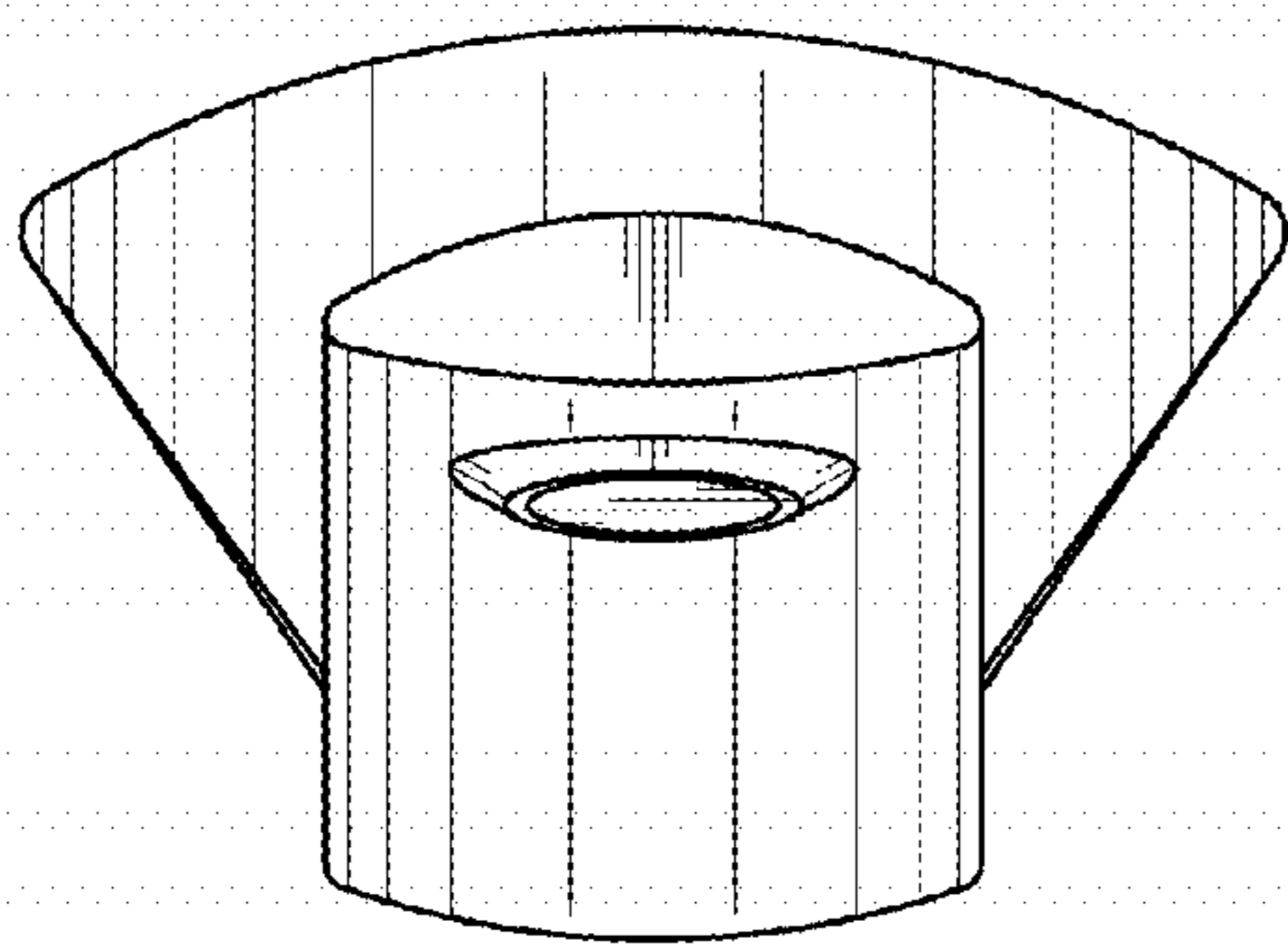


FIG. 6

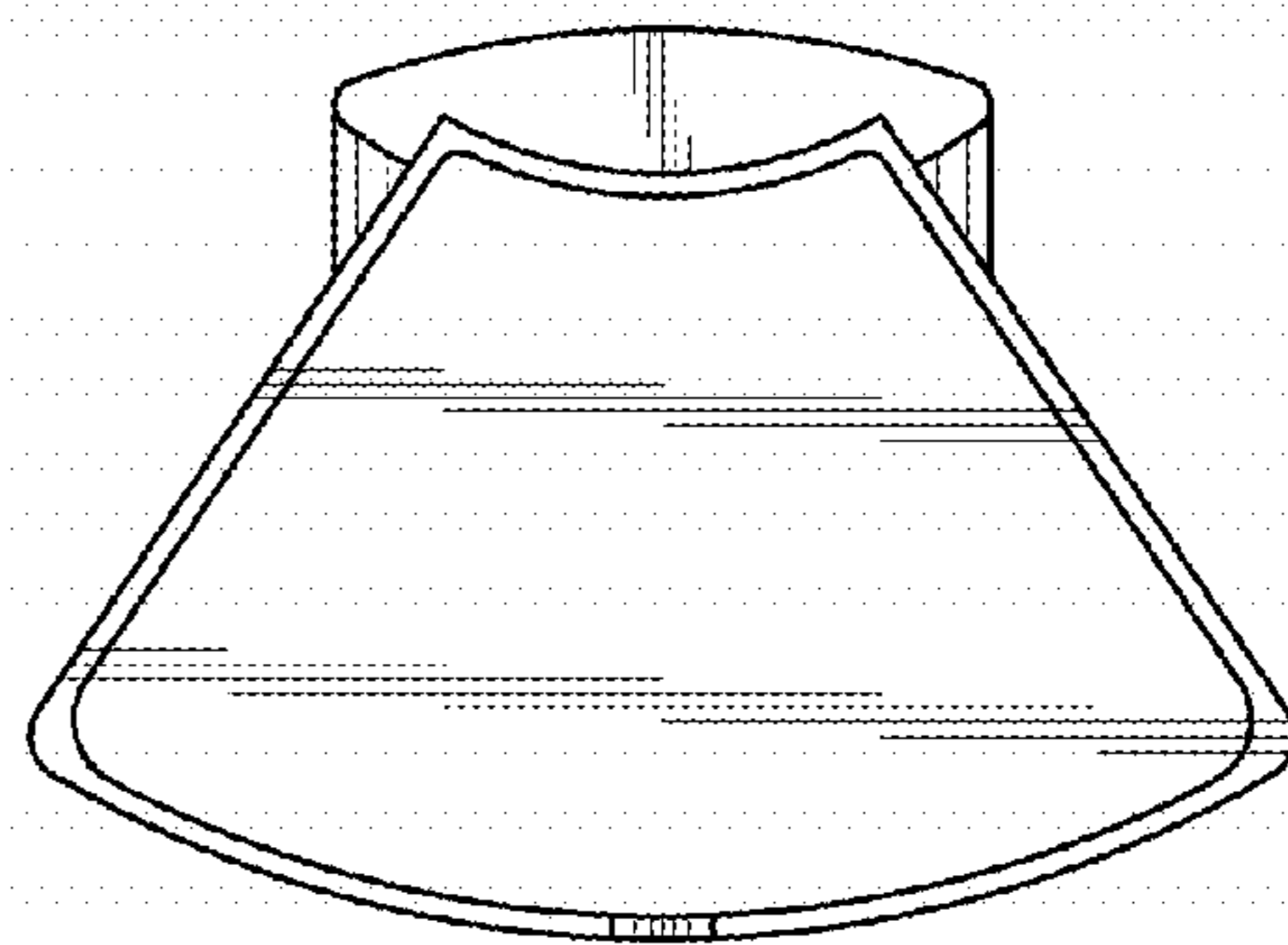


FIG. 7

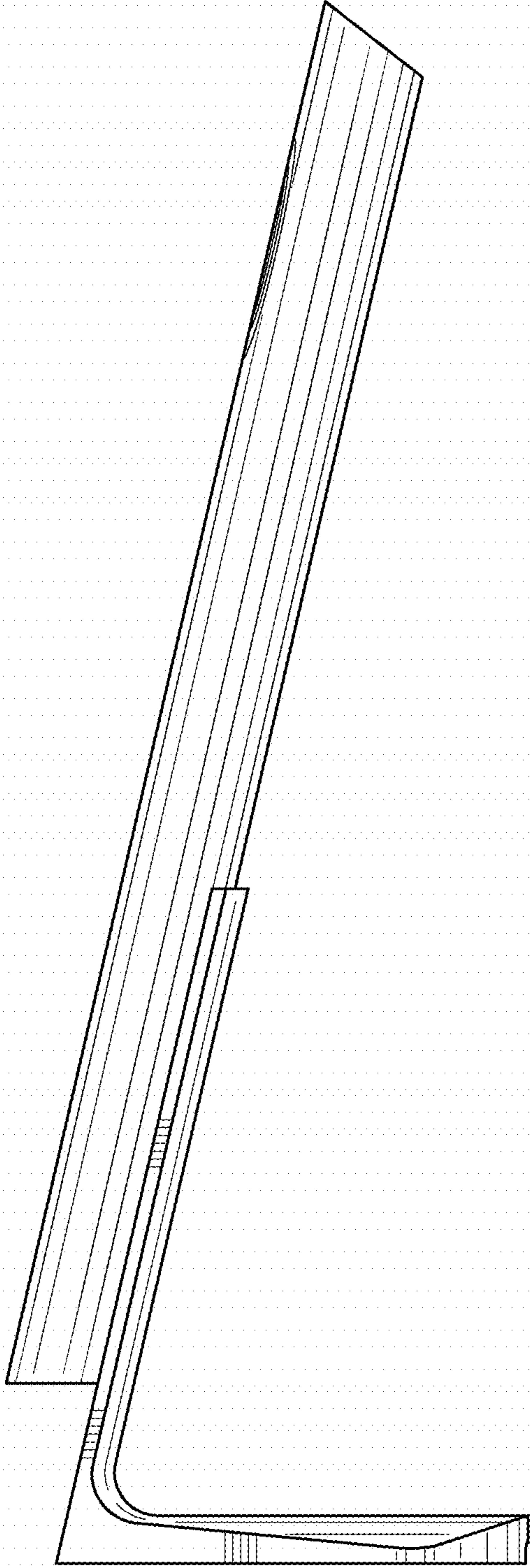


FIG.8