



US00D687810S

(12) **United States Design Patent**
Son et al.

(10) **Patent No.:** **US D687,810 S**
(45) **Date of Patent:** **** Aug. 13, 2013**

(54) **SPEAKER**
(75) Inventors: **Chae-Joo Son**, Namyangju (KR);
Jun-Ho Yang, Seongnam (KR)
(73) Assignee: **Samsung Electronics Co., Ltd.**,
Suwon-Si (KR)

D519,491 S * 4/2006 Allen D14/212
D520,975 S 5/2006 Kim et al.
D529,019 S 9/2006 Lim
D532,791 S 11/2006 Kim
D537,072 S 2/2007 Kim et al.
D540,780 S 4/2007 Kim
D545,300 S 6/2007 Hong et al.
D548,222 S 8/2007 Kim

(Continued)

(**) Term: **14 Years**

FOREIGN PATENT DOCUMENTS

(21) Appl. No.: **29/428,264**

KR 3004583830000 8/2007
KR 3004602570000 8/2007

(22) Filed: **Jul. 27, 2012**

(Continued)

(30) **Foreign Application Priority Data**

OTHER PUBLICATIONS

Feb. 3, 2012 (KR) 30-2012-0005135

U.S. Appl. No. 29/393,984, Applicant: Lee, et al., filed Jun. 10, 2011
entitled Speaker.

(51) **LOC (9) Cl.** **14-03**

(Continued)

(52) **U.S. Cl.**
USPC **D14/210**

(58) **Field of Classification Search**
USPC D14/168, 172, 194–196, 204, 207,
D14/209.1, 210–216, 221, 222; 181/143,
181/144, 147, 148, 150, 153, 157, 198, 199;
381/300–303, 306, 332, 333, 336, 345,
361–364, 386–388
See application file for complete search history.

Primary Examiner — Keli L Hill
(74) *Attorney, Agent, or Firm* — Wood, Herron & Evans,
LLP

(57) **CLAIM**
The ornamental design for a speaker, as shown and described.

DESCRIPTION

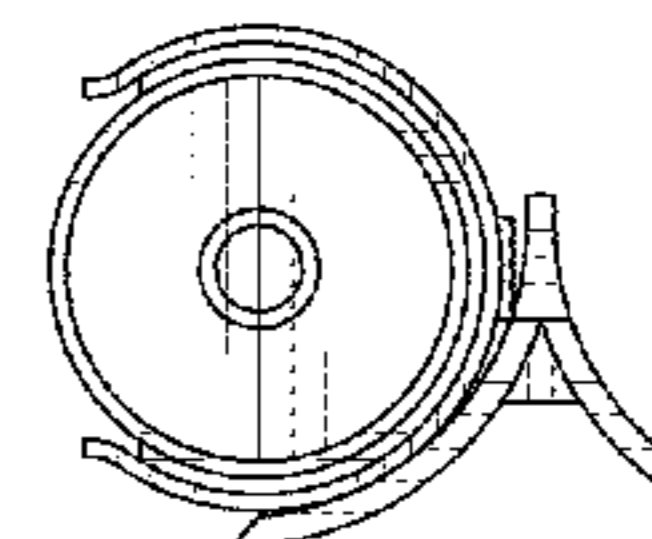
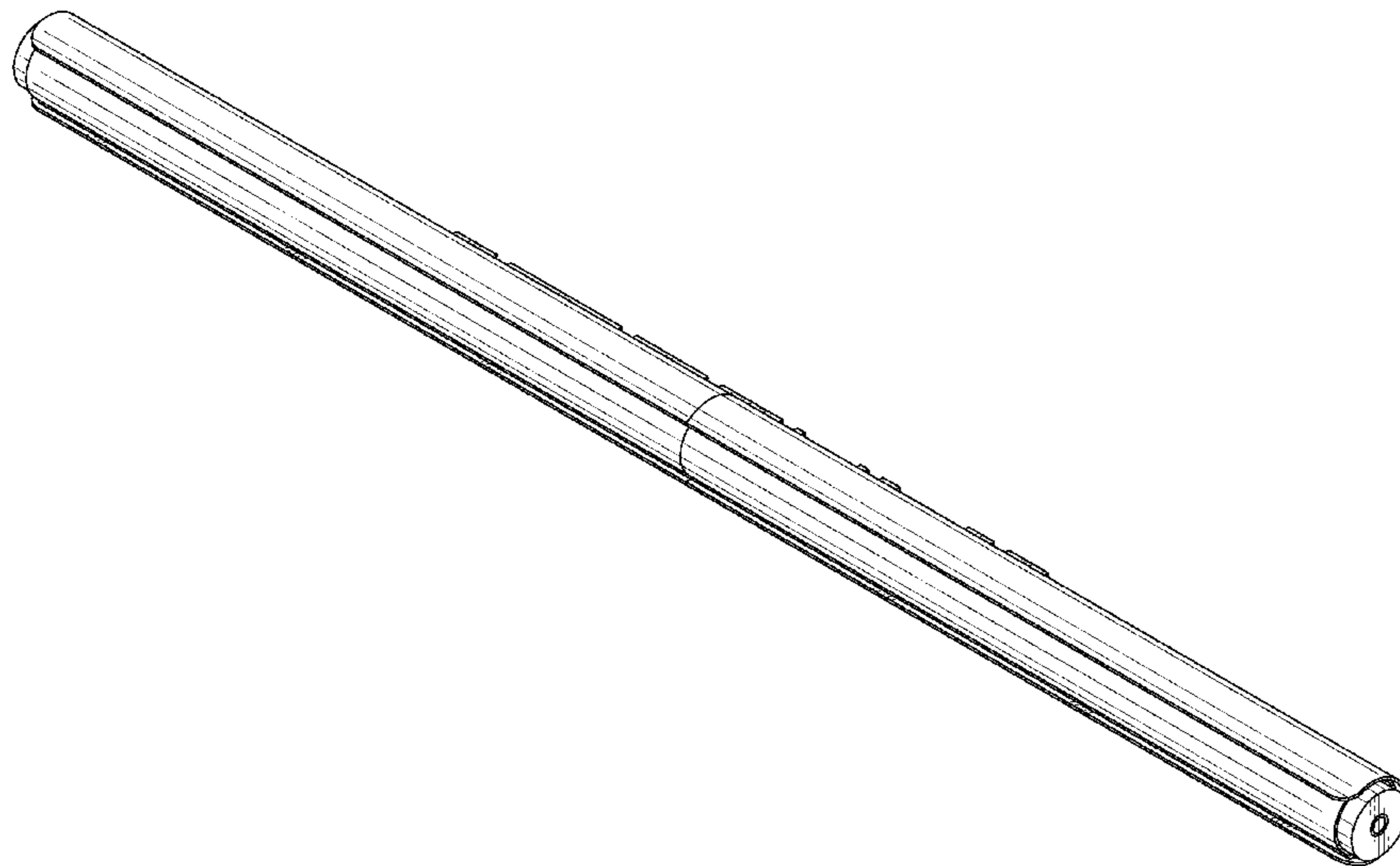
(56) **References Cited**

FIG. 1 is a top front perspective view of a speaker showing our
new design;
FIG. 2 is a front elevational view thereof;
FIG. 3 is a rear elevational view thereof;
FIG. 4 is a left side elevational view thereof;
FIG. 5 is a right side elevational view thereof;
FIG. 6 is a top plan view thereof;
FIG. 7 is a bottom plan view thereof; and,
FIG. 8 is an enlarged detail view of the right side of the
speaker as shown in FIG. 5.

U.S. PATENT DOCUMENTS

D284,084 S 6/1986 Ferrara, Jr.
D306,583 S 3/1990 Krolopp et al.
D333,574 S 3/1993 Ackeret
D337,569 S 7/1993 Kando
5,286,928 A * 2/1994 Borland 181/153
D466,492 S * 12/2002 Matsuoka D14/162
D471,893 S 3/2003 Jung
D500,991 S 1/2005 Niitsu
D504,889 S 5/2005 Andre et al.
D505,131 S * 5/2005 Lee et al. D14/215

1 Claim, 3 Drawing Sheets



US D687,810 S

Page 2

U.S. PATENT DOCUMENTS

D549,690 S	*	8/2007	Kimura	D14/211
D551,655 S		9/2007	Kim	
D551,665 S		9/2007	Tom et al.	
D555,636 S	*	11/2007	Chen et al.	D14/216
D560,209 S		1/2008	Kim et al.	
D560,211 S		1/2008	Kim et al.	
D560,686 S		1/2008	Kim	
D561,141 S		2/2008	Cho et al.	
D561,142 S		2/2008	Oh	
D561,161 S		2/2008	Cho	
D563,804 S		3/2008	Kimura et al.	
D567,203 S		4/2008	Park	
D570,333 S		6/2008	Cho	
D570,828 S		6/2008	Cho	
D570,847 S	*	6/2008	Chern	D14/434
D571,785 S		6/2008	Kim	
D571,786 S		6/2008	Cho	
D573,584 S		7/2008	Kim	
D579,003 S		10/2008	Kim et al.	
D579,915 S		11/2008	Yeo	
D579,930 S		11/2008	Maskatia	
D583,801 S		12/2008	Son et al.	
D584,286 S		1/2009	Kim	
D584,288 S		1/2009	Kim	
D584,738 S		1/2009	Kim et al.	
D586,781 S		2/2009	Kim	
D586,782 S		2/2009	Kim	
D586,785 S		2/2009	Kim	
D587,237 S		2/2009	Son et al.	
D588,103 S		3/2009	Lee et al.	
D588,104 S		3/2009	Lee et al.	
D588,576 S		3/2009	Son et al.	
D590,374 S		4/2009	Madonna et al.	
D591,269 S		4/2009	Kim et al.	
D592,179 S		5/2009	Ichinose et al.	
D592,214 S		5/2009	Bradford	
D593,068 S		5/2009	Kim et al.	
D593,069 S		5/2009	Son et al.	
D598,899 S		8/2009	Tkachuk	
D602,014 S		10/2009	Andre et al.	
D602,487 S		10/2009	Maskatia	
D605,626 S		12/2009	Park	
D610,582 S		2/2010	Sugitani et al.	
D611,364 S		3/2010	Lenz et al.	
D613,310 S		4/2010	Kim	
D613,311 S		4/2010	Kim	
D613,510 S		4/2010	Tzeng et al.	
D613,951 S		4/2010	Tang et al.	
D615,963 S		5/2010	Cho et al.	
D617,305 S	*	6/2010	Chen et al.	D14/172
D617,793 S		6/2010	Chiang et al.	
D622,270 S		8/2010	Andre et al.	

D624,047 S	9/2010	Kim
D624,048 S	9/2010	Kim
D627,667 S	11/2010	Lenz et al.
D628,556 S	12/2010	Lee et al.
D628,913 S	12/2010	Cheng
D629,388 S	12/2010	Son et al.
D629,799 S	12/2010	Andre et al.
D631,868 S	2/2011	Chung
D633,076 S	2/2011	Kim et al.
D634,302 S	3/2011	Chung et al.
D640,255 S	6/2011	Lee et al.
D657,774 S	4/2012	Chung et al.
D660,285 S	5/2012	Lee et al.
D660,286 S	5/2012	Lee et al.
D671,525 S	11/2012	Chung
2003/0923129	9/2009	Hsieh et al.

FOREIGN PATENT DOCUMENTS

KR	3004608520000	8/2007
KR	3004659690000	10/2007
KR	3005005060000	7/2008
KR	3005992810000	5/2011
KR	3006052260000	7/2011
KR	3006060320000	7/2011
KR	3006063520000	7/2011
KR	3006067150000	7/2011
KR	3006067180000	7/2011
KR	3006067290000	7/2011
KR	3006067430000	7/2011
KR	3006067570000	7/2011
KR	3006076710000	8/2011

OTHER PUBLICATIONS

U.S. Appl. No. 29/393,985, Applicant: Lee, et al., filed Jun. 10, 2011 entitled Speaker.

U.S. Appl. No. 29/430,828, Applicant: Lee, Gwon-Gak, filed Sep. 30, 2012 entitled Speaker.

U.S. Appl. No. 29/419,031, Applicant: Shim et al., filed Apr. 24, 2012 entitled Speaker.

U.S. Appl. No. 29/419,036, Applicant: Lee et al., filed Apr. 24, 2012 entitled Speaker.

U.S. Appl. No. 29/430,812, Applicant: Lee, Gil-Jae., filed Aug. 30, 2012 entitled Speaker.

U.S. Appl. No. 29/431,755, Applicant: Lee, Gil-Jae, filed Sep. 11, 2012 entitled Speaker.

U.S. Appl. No. 29/431,753, Applicant: Lee et al., filed Sep. 11, 2012 entitled Speaker.

U.S. Appl. No. 29/430,822, Applicant: Lee, Gwon-Gak, filed Sep. 30, 2012 entitled Speaker.

* cited by examiner

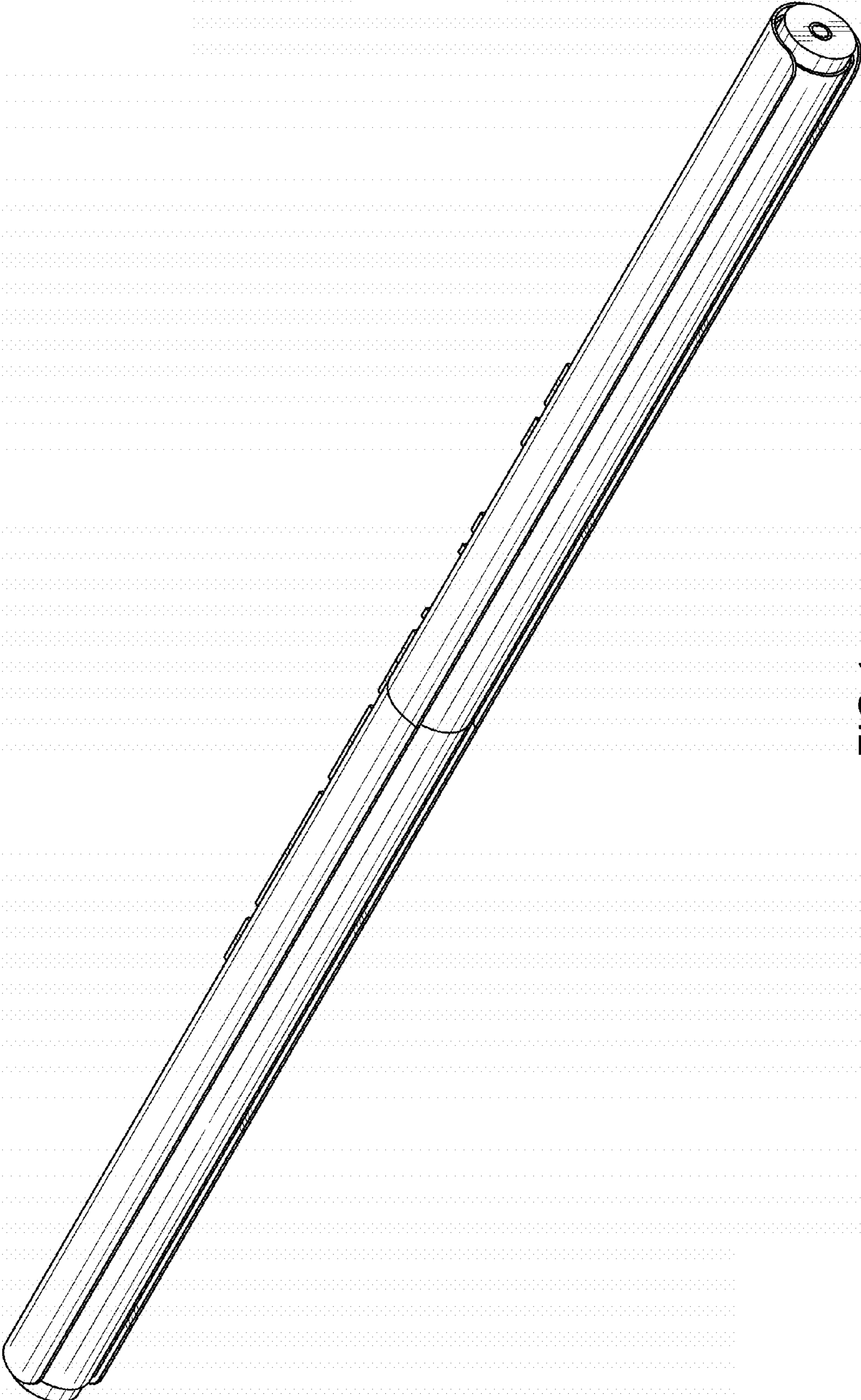


FIG.1

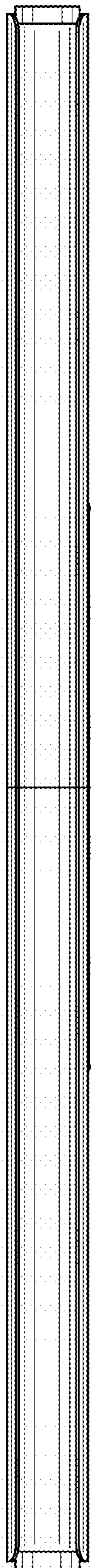


FIG. 2

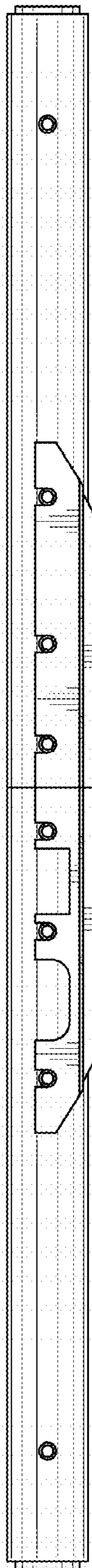


FIG. 3

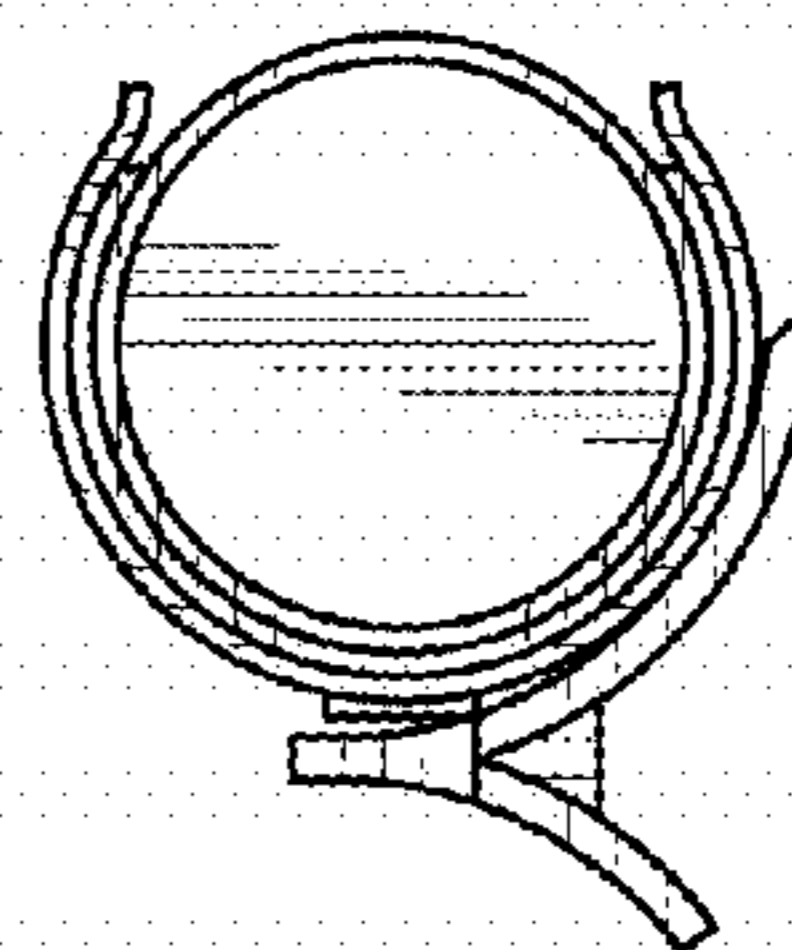


FIG. 4

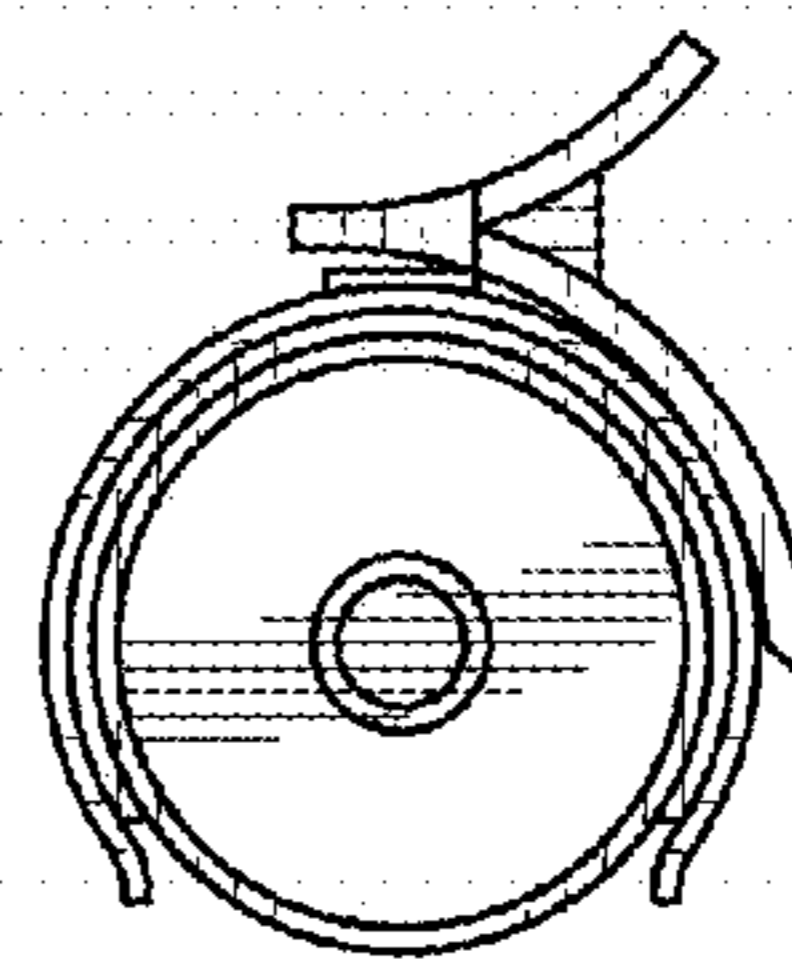


FIG. 5

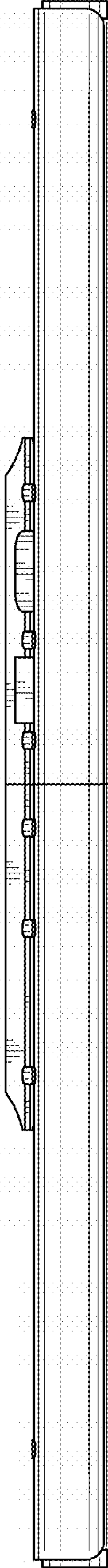


FIG. 6

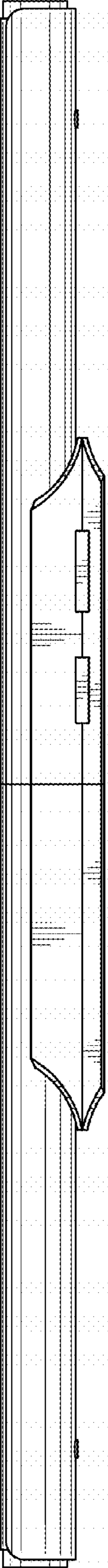


FIG. 7

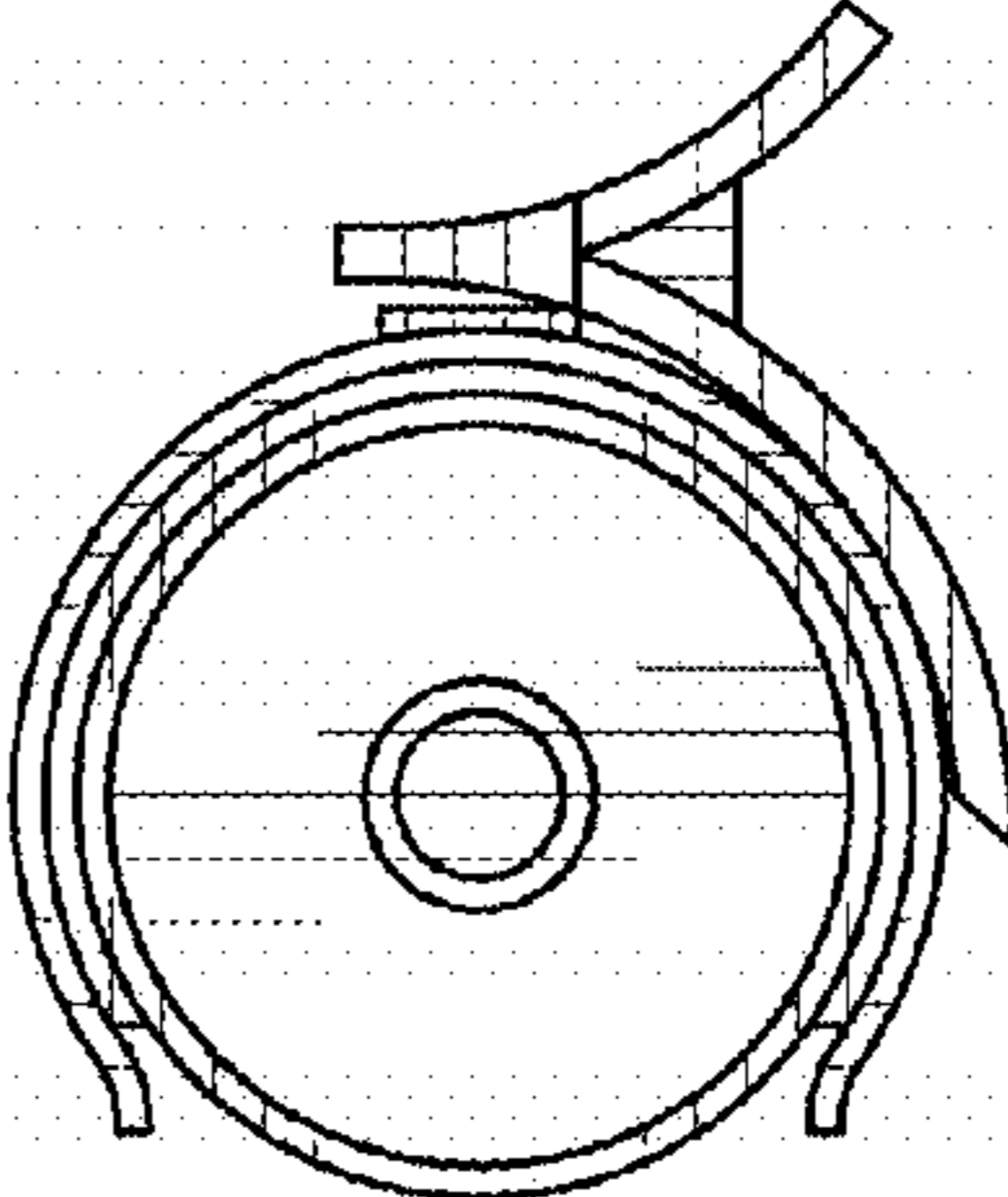


FIG. 8