



US00D687806S

(12) **United States Design Patent**
Hachiya

(10) **Patent No.:** **US D687,806 S**

(45) **Date of Patent:** **** Aug. 13, 2013**

(54) **PORTABLE TERMINAL**

(71) Applicant: **Kyocera Corporation**, Kyoto (JP)

(72) Inventor: **Hidetoshi Hachiya**, Osaka (JP)

(73) Assignee: **Kyocera Corporation**, Kyoto (JP)

(**) Term: **14 Years**

(21) Appl. No.: **29/438,453**

(22) Filed: **Nov. 29, 2012**

(30) **Foreign Application Priority Data**

Oct. 1, 2012 (JP) 2012-023927

(51) **LOC (9) Cl.** **14-03**

(52) **U.S. Cl.**
USPC **D14/138 G**

(58) **Field of Classification Search**

USPC D14/138 G, 138 AD, 341, 346, 138 R,
D14/138 AC, 496, 203.1, 203.4, 203.7, 248,
D14/218; 455/575.1, 556.2, 575.3, 575.4;
D21/517; 379/433.01, 433.04; D10/65,
D10/78, 104; D13/168

See application file for complete search history.

(56) **References Cited**

U.S. PATENT DOCUMENTS

D498,754 S * 11/2004 Blyth D14/341
7,577,466 B2 * 8/2009 Kim 455/575.4
D603,356 S * 11/2009 Sterzick et al. D14/138 G
D616,855 S * 6/2010 Song et al. D14/138 AD
D619,556 S * 7/2010 Han et al. D14/138 G
D619,984 S * 7/2010 Han et al. D14/138 AD
D619,985 S * 7/2010 Choi et al. D14/138 G
D631,464 S * 1/2011 Kim D14/138 G
D633,068 S * 2/2011 Chen et al. D14/138 G
D633,070 S * 2/2011 Tzeng D14/138 G

D636,368 S * 4/2011 Kim D14/138 AD
D639,767 S * 6/2011 Finney et al. D14/138 G
D640,221 S * 6/2011 Lee et al. D14/138 AD
D644,195 S * 8/2011 Kim et al. D14/138 G
D644,542 S * 9/2011 Henne et al. D10/65
D648,696 S * 11/2011 Hirota et al. D14/138 AB
D649,131 S * 11/2011 Jyonoshita D14/138 AD
D649,547 S * 11/2011 Huang D14/341
D651,186 S * 12/2011 Park et al. D14/138 G
D654,462 S * 2/2012 Nara et al. D14/138 G
D659,667 S * 5/2012 Jung et al. D14/138 AD
D663,284 S * 7/2012 Sparks D14/138 G
D669,052 S * 10/2012 Kim et al. D14/138 G
D677,231 S * 3/2013 Behling D14/138 G

OTHER PUBLICATIONS

Samsung S7710 Galaxy Xcover 2 telephone, announced Jan. 2013, [online], [site visited Mar. 19, 2013]. Available from Internet, <URL: http://www.gsmarena.com/samsung_s7710_galaxy_xcover_2-5263.php>.*

(Continued)

Primary Examiner — Jeffrey D Asch

(74) *Attorney, Agent, or Firm* — DLA Piper LLP (US)

(57) **CLAIM**

The ornamental design for portable terminal, as shown and described.

DESCRIPTION

FIG. 1 is a front perspective view of a portable terminal showing my new design;

FIG. 2 is a rear perspective view thereof;

FIG. 3 is a front view thereof;

FIG. 4 is a rear view thereof;

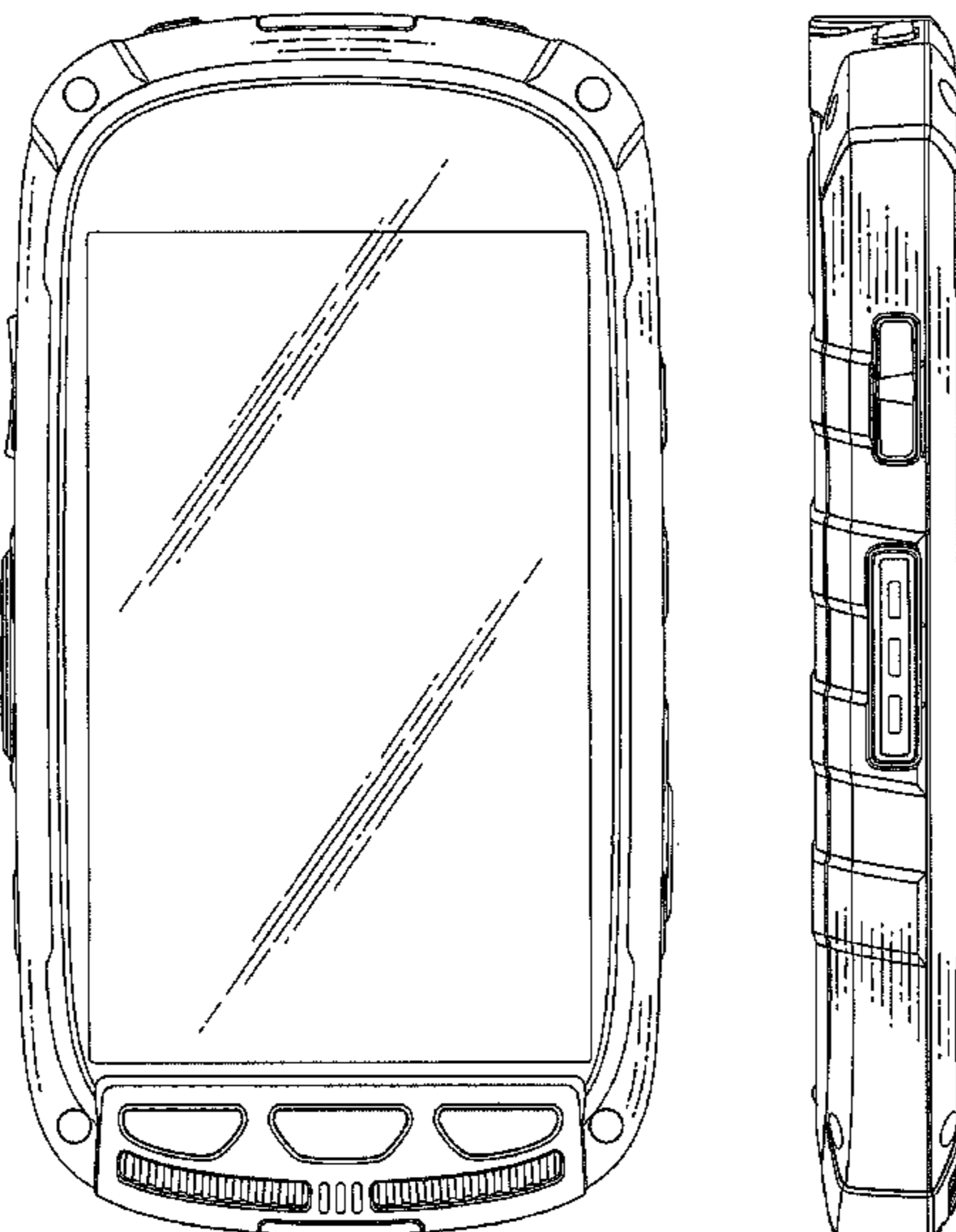
FIG. 5 is a top plan view thereof;

FIG. 6 is a bottom view thereof;

FIG. 7 is a left side view thereof; and,

FIG. 8 is a right side view thereof.

1 Claim, 6 Drawing Sheets



(56)

References Cited

OTHER PUBLICATIONS

Samsung Galaxy Rugby Pro I547 telephone, announced Oct. 2012, [online], [site visited Mar. 19, 2013]. Available from Internet, <URL: http://www.gsmarena.com/samsung_galaxy_rugby_pro_i547-5019.php>.*

Kyocera Torque E6710 telephone, announced Jan. 2013, [online], [site visited Mar. 19, 2013]. Available from Internet, <URL: http://www.gsmarena.com/kyocera_torque_e6710-5270.php>.*

LG US760 Genesis telephone, announced May 2011, [online], [site visited Mar. 19, 2013]. Available from Internet, <URL: http://www.gsmarena.com/lg_us760_genesis-4033.php>.*
<http://gpad.tv/phone/nec-casio-gz-one-c771/>.

* cited by examiner

FIG. 1

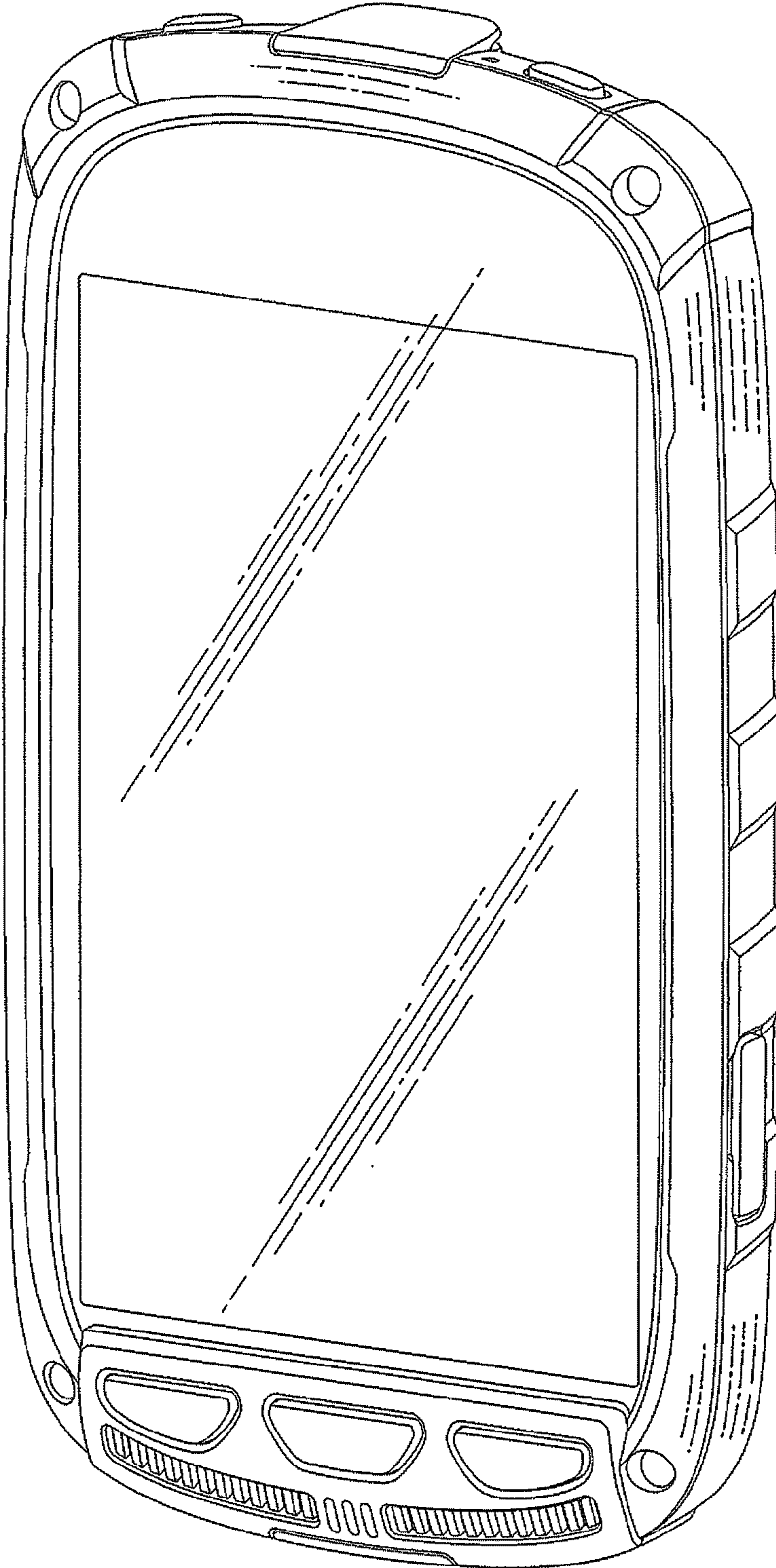


FIG. 2

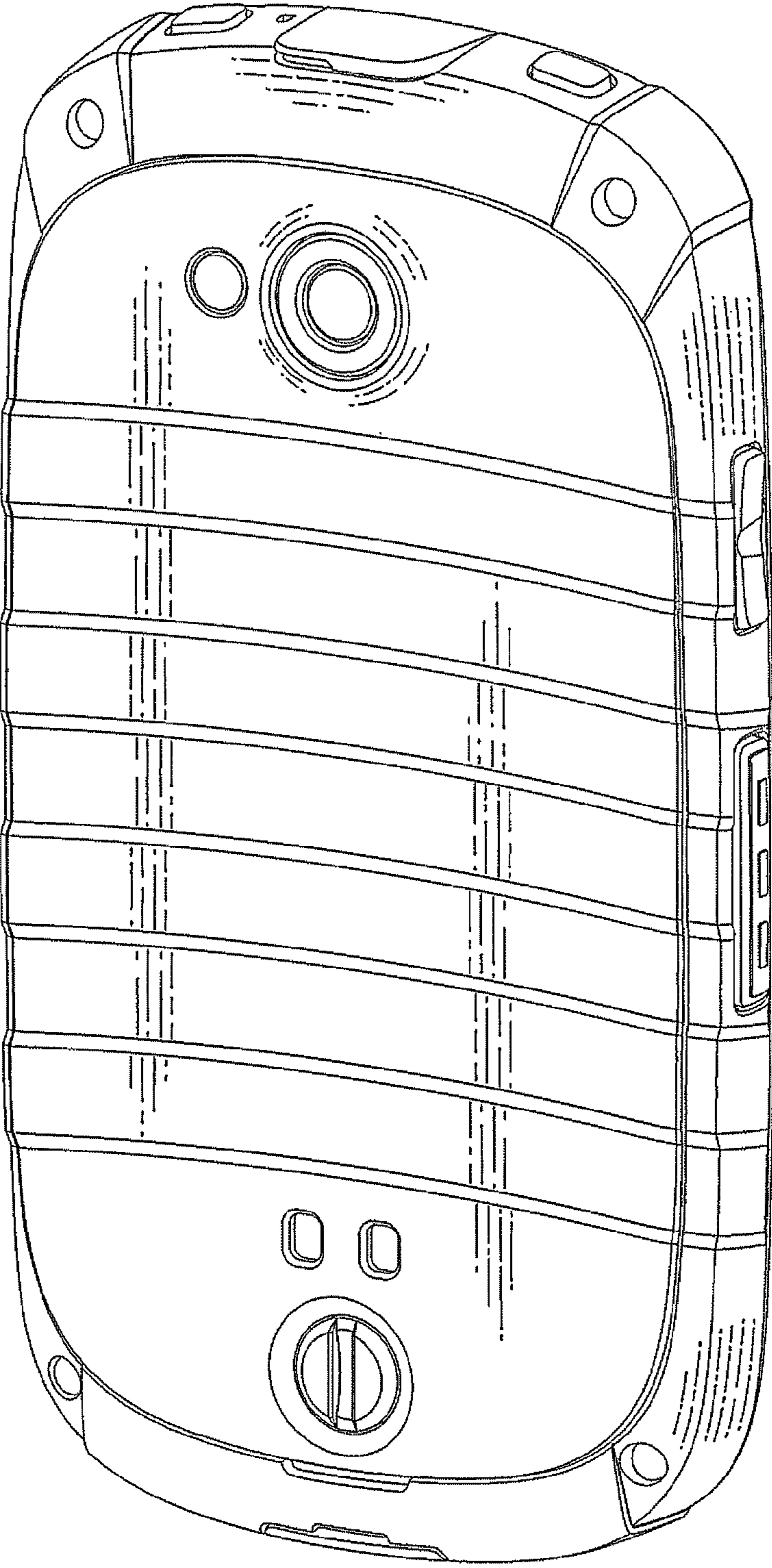


FIG. 3

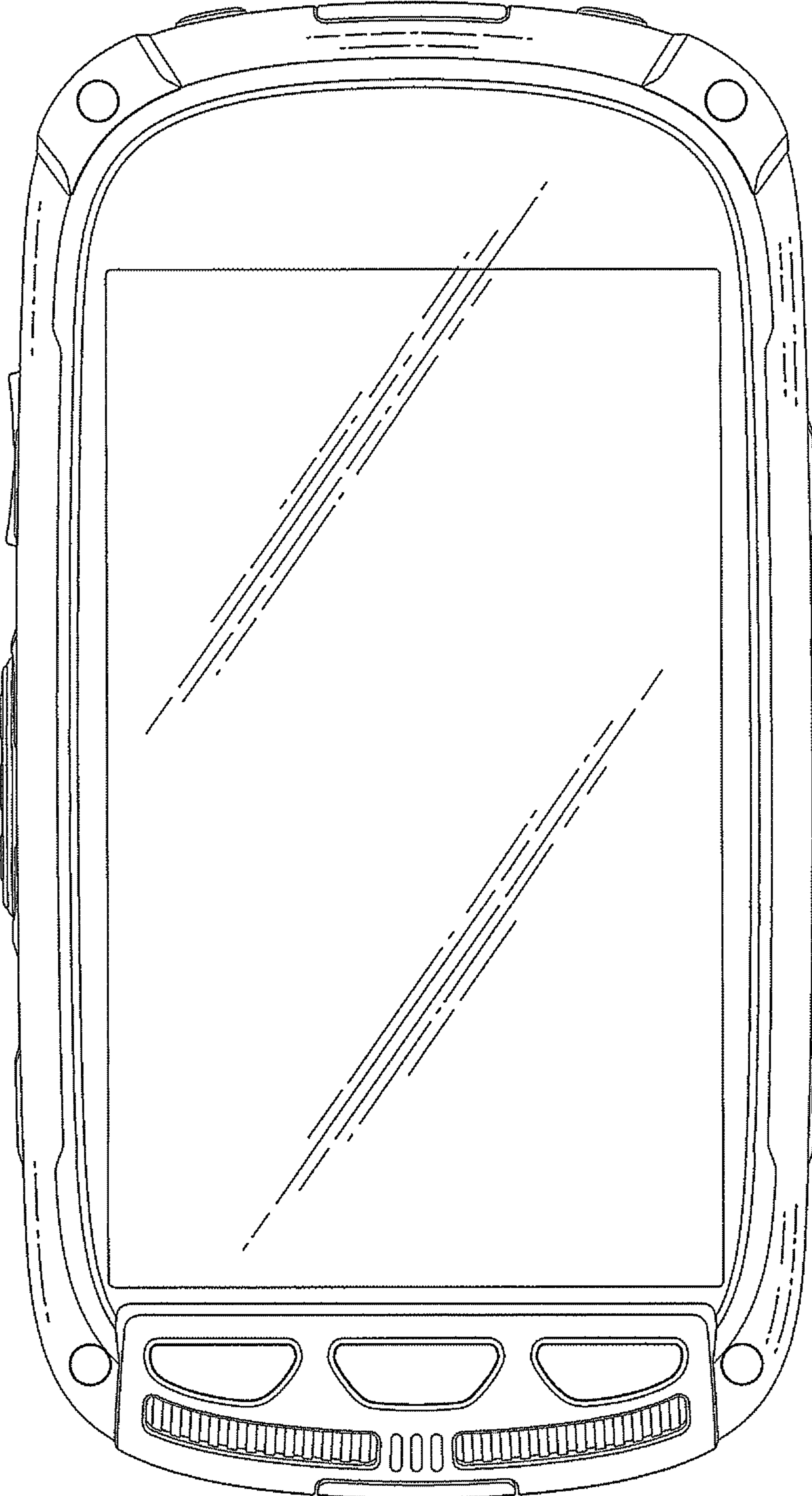


FIG. 4

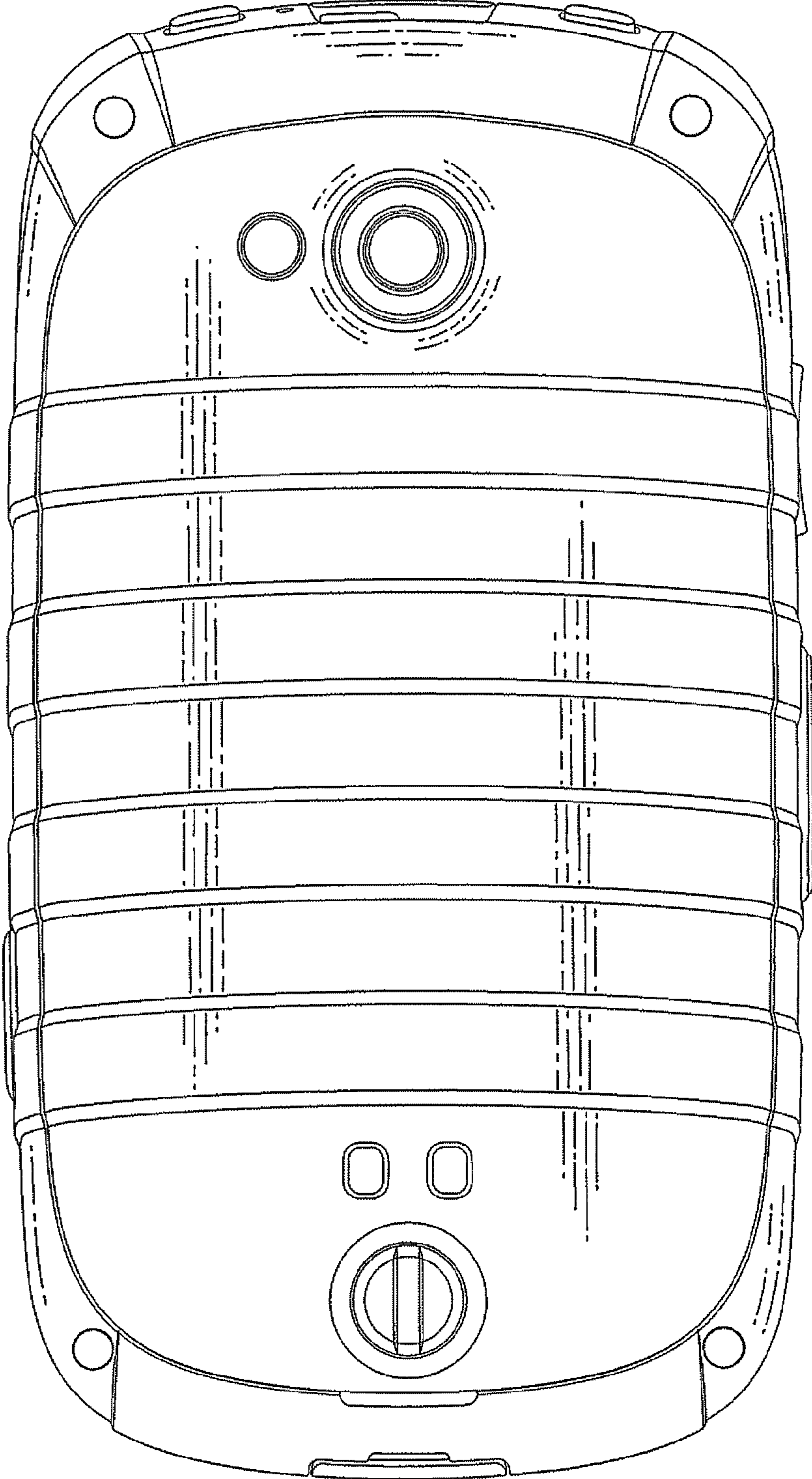


FIG. 5

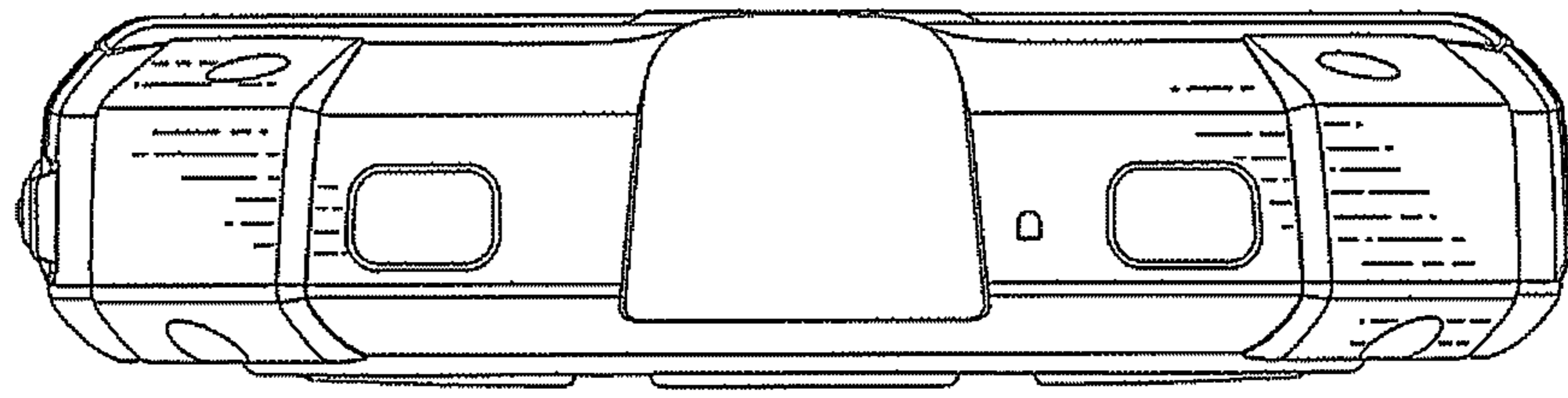


FIG. 6

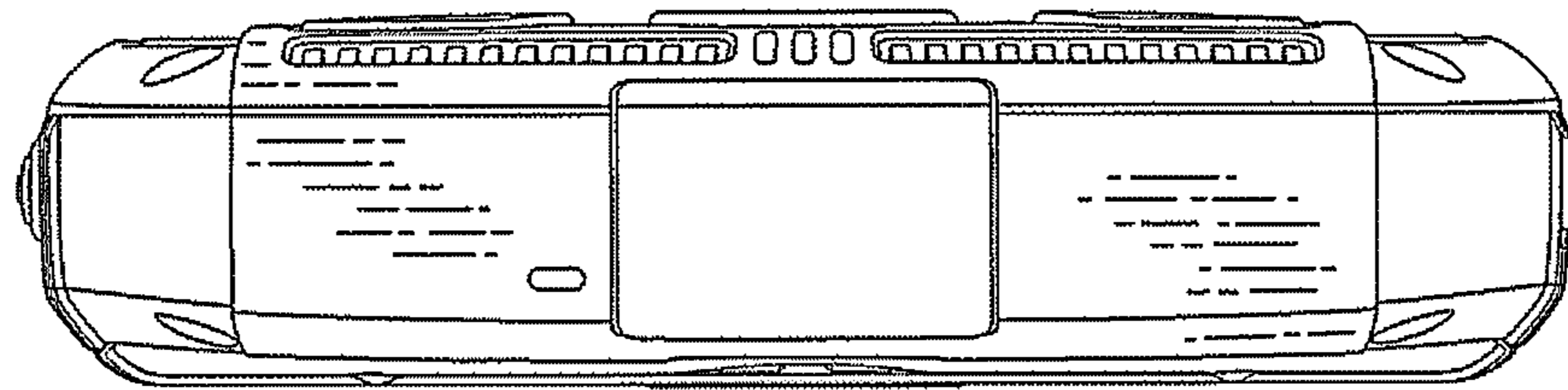


FIG. 7

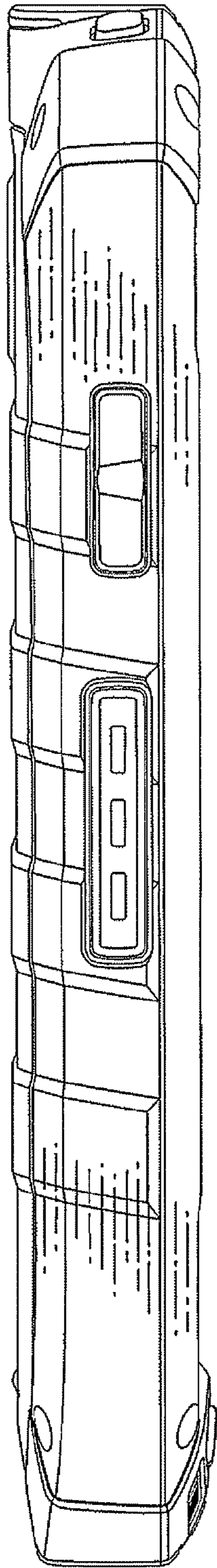


FIG. 8

