



US00D687805S

(12) **United States Design Patent**
Son

(10) **Patent No.:** **US D687,805 S**

(45) **Date of Patent:** **** Aug. 13, 2013**

(54) **MOBILE PHONE**

(75) Inventor: **Jong-Deuk Son**, Incheon (KR)

(73) Assignee: **Samsung Electronics Co., Ltd.**,
Suwon-Si (KR)

(**) Term: **14 Years**

(21) Appl. No.: **29/431,769**

(22) Filed: **Sep. 11, 2012**

(30) **Foreign Application Priority Data**

Jun. 14, 2012 (KR) 30-2012-0029003

(51) **LOC (9) Cl.** **14-03**

(52) **U.S. Cl.**
USPC **D14/138 G**

(58) **Field of Classification Search**
USPC D14/138 G, 138 AD, 341, 346, 138 R,
D14/138 AC, 496, 203.1, 203.4, 203.7, 248,
D14/218; 455/575.1, 556.2, 575.3, 575.4;
D21/517; 379/433.01, 433.04; D10/65, 78,
D10/104; D13/168
See application file for complete search history.

(56) **References Cited**

U.S. PATENT DOCUMENTS

D594,437 S *	6/2009	Kim et al.	D14/138 AC
D596,608 S *	7/2009	Kim et al.	D14/138 G
D599,320 S *	9/2009	Sterzick et al.	D14/138 AD
D609,681 S *	2/2010	Cho et al.	D14/138 AD
D618,651 S *	6/2010	Lee et al.	D14/138 AD
D621,378 S *	8/2010	Kim et al.	D14/138 AD
D628,184 S *	11/2010	Jung et al.	D14/138 G
D631,456 S *	1/2011	Chung et al.	D14/138 G
D635,951 S *	4/2011	Park et al.	D14/138 G
D636,365 S *	4/2011	Cheng et al.	D14/138 G
D652,404 S *	1/2012	Okada et al.	D14/138 G
D653,639 S *	2/2012	Kim et al.	D14/138 G

D666,980 S *	9/2012	Faoro	D14/138 G
D666,985 S *	9/2012	Kim	D14/138 G
D669,447 S *	10/2012	Hong	D14/138 G
D676,010 S *	2/2013	Matsumoto	D14/138 G
D676,820 S *	2/2013	Jeong	D14/138 G
D676,821 S *	2/2013	Jeong	D14/138 G

OTHER PUBLICATIONS

Samsung Exhibit 4G telephone, announced Jun. 2011, [online], [site visited Mar. 19, 2013]. Available from Internet, <URL: http://www.gsmarena.com/samsung_exhibit_4g-3968.php>.*

Samsung Wave Y S5380 telephone, announced Aug. 2011, [online], [site visited Mar. 19, 2013]. Available from Internet, <URL: http://www.gsmarena.com/samsung_wave_y_s5380-4127.php>.*

(Continued)

Primary Examiner — Jeffrey D Asch

(74) *Attorney, Agent, or Firm* — Staas & Halsey LLP

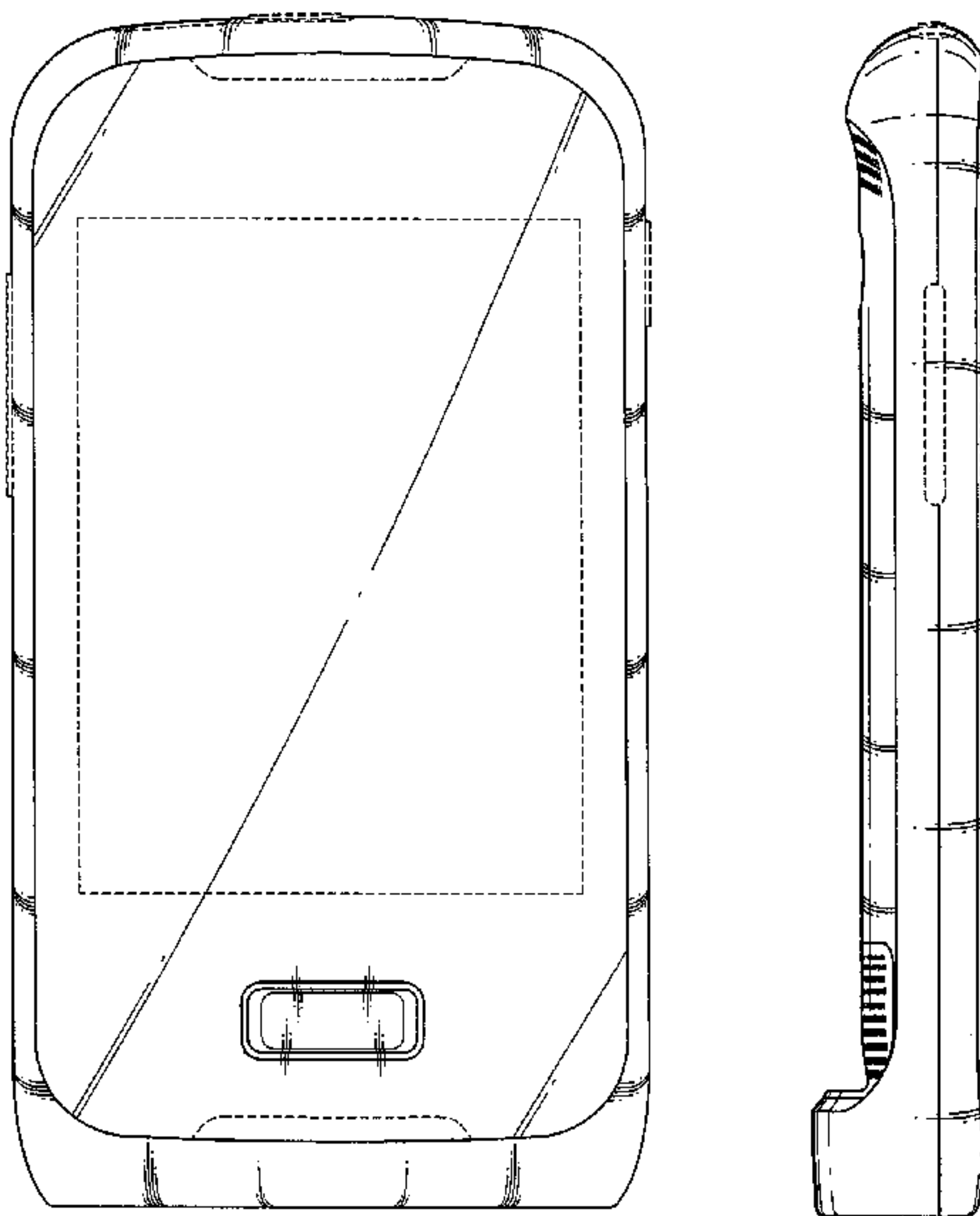
(57) **CLAIM**

The ornamental design for a mobile phone, as shown and described.

DESCRIPTION

FIG. 1 is a front perspective view of a mobile phone; FIG. 2 is a front view of the mobile phone of FIG. 1; FIG. 3 is a rear view of the mobile phone of FIG. 1; FIG. 4 is a left-side view of the mobile phone of FIG. 1; FIG. 5 is a right-side view of the mobile phone of FIG. 1; FIG. 6 is a top plan view of the mobile phone of FIG. 1; and, FIG. 7 is a bottom plan view of the mobile phone of FIG. 1. The broken lines shown in the figures that are immediately adjacent to the shaded areas and define regions that are consistently unshaded, represent the bounds of the claim, while all other broken lines, including those beneath the transparent panel on the front, are directed to environment and are for illustrative purposes only; the broken lines form no part of the claimed design.

1 Claim, 7 Drawing Sheets



US D687,805 S

Page 2

OTHER PUBLICATIONS

Karbons A1+ telephone, announced 2012, [online], [site visited Mar. 19, 2013]. Available from Internet, <URL: http://www.gsmarena.com/karbons_a1+-5188.php>.*

Dell XCD35 telephone, announced Nov. 2010, [online], [site visited Mar. 19, 2013]. Available from Internet, <URL: http://www.gsmarena.com/dell_xcd35-3623.php>.*

* cited by examiner

FIG. 1

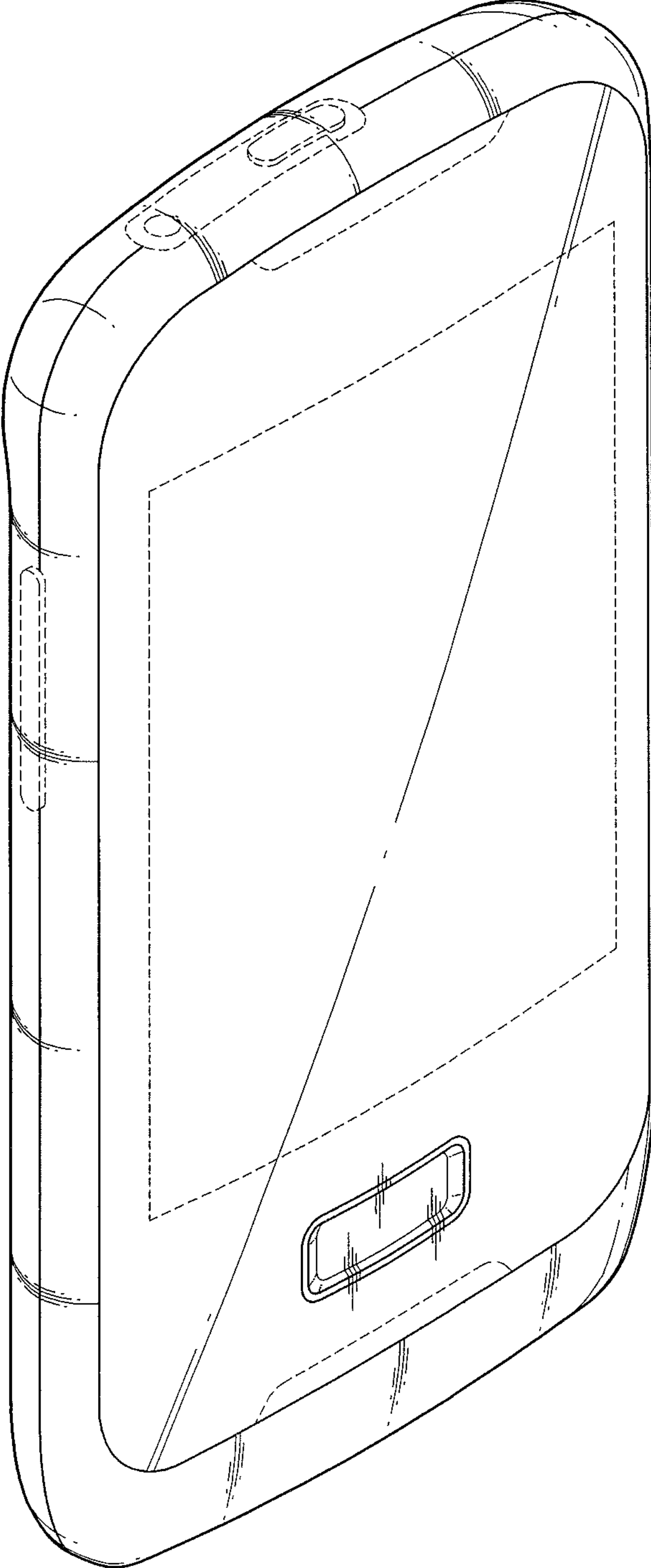


FIG. 2

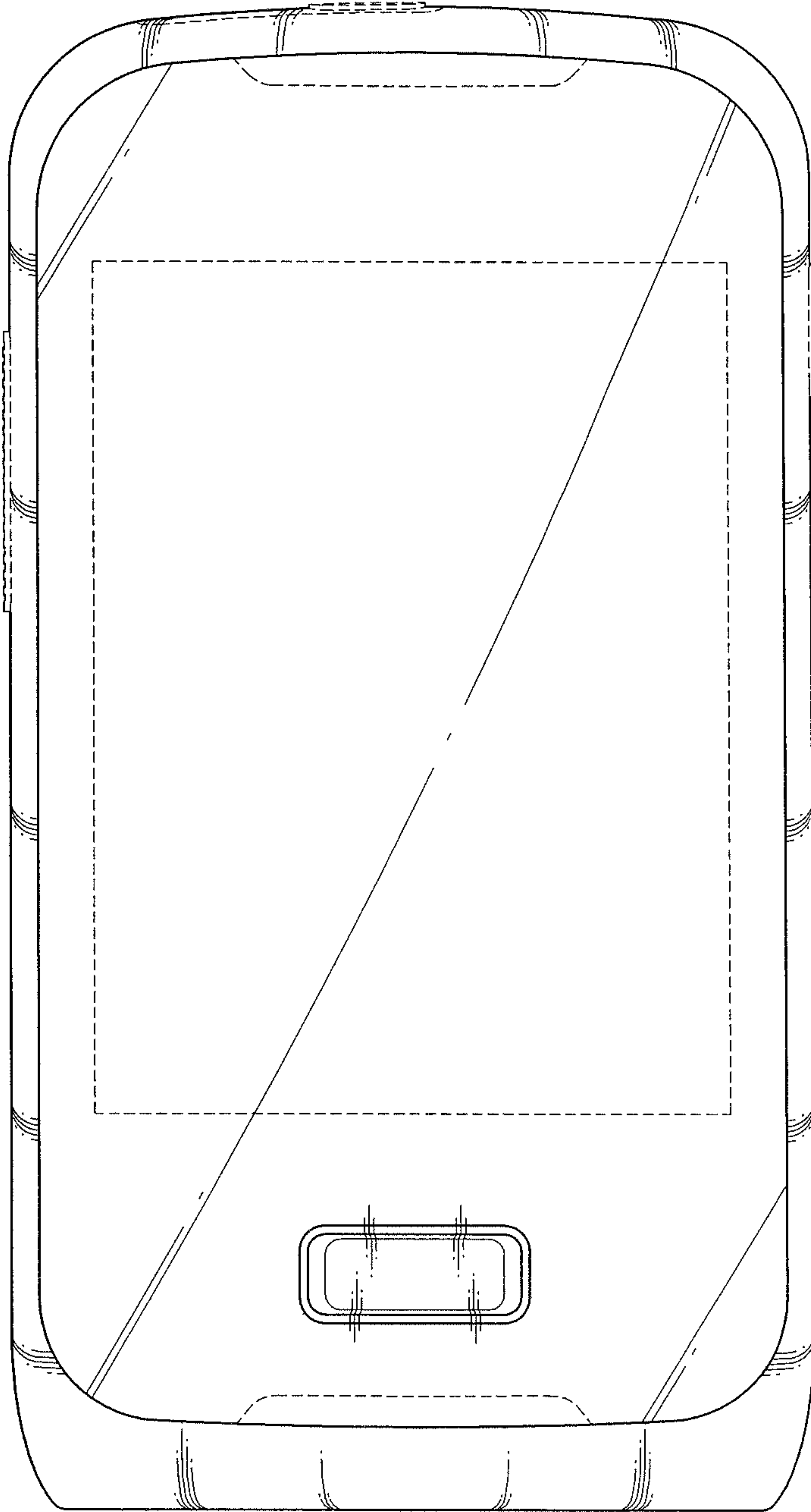


FIG. 3

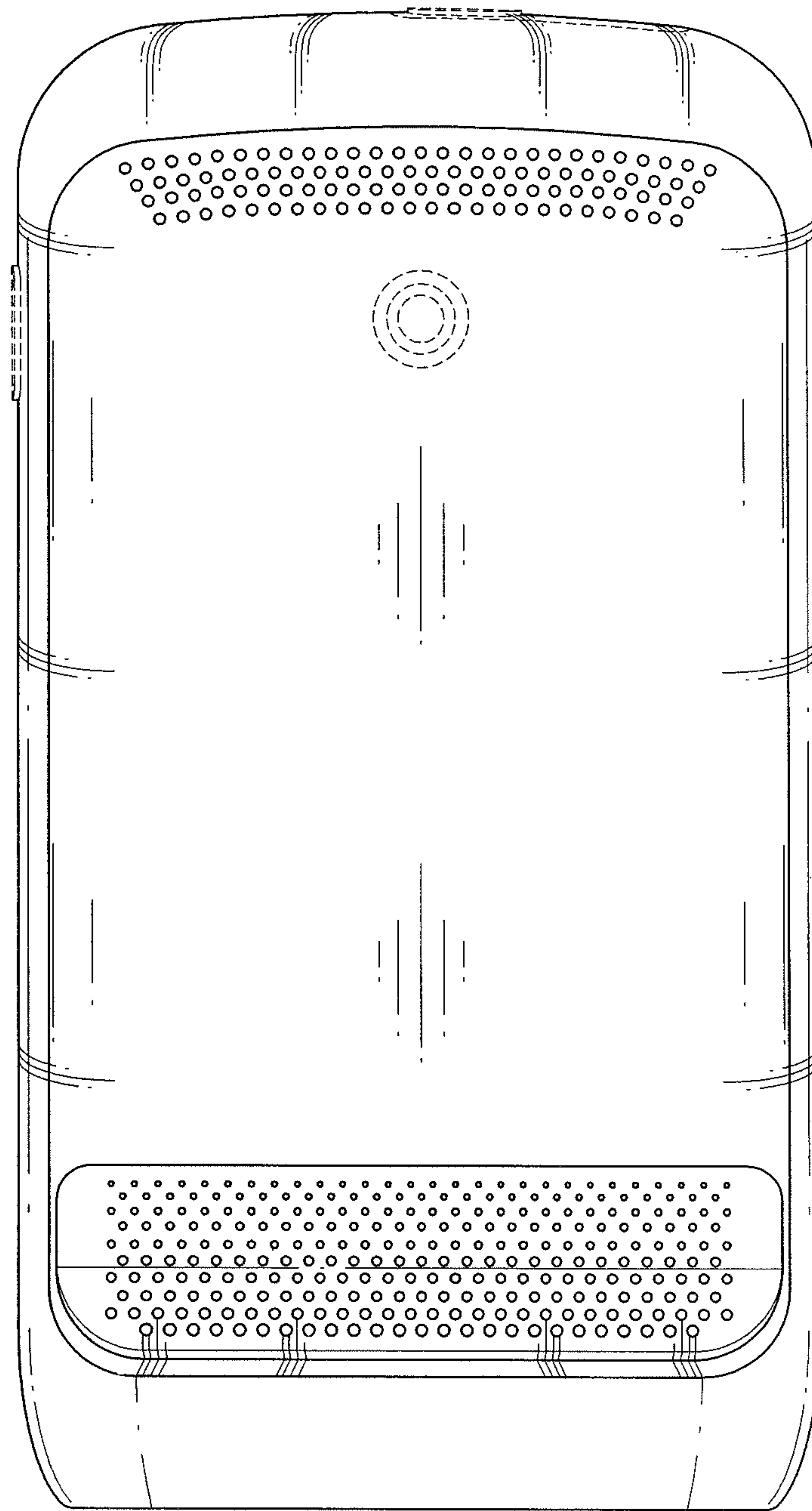


FIG. 4

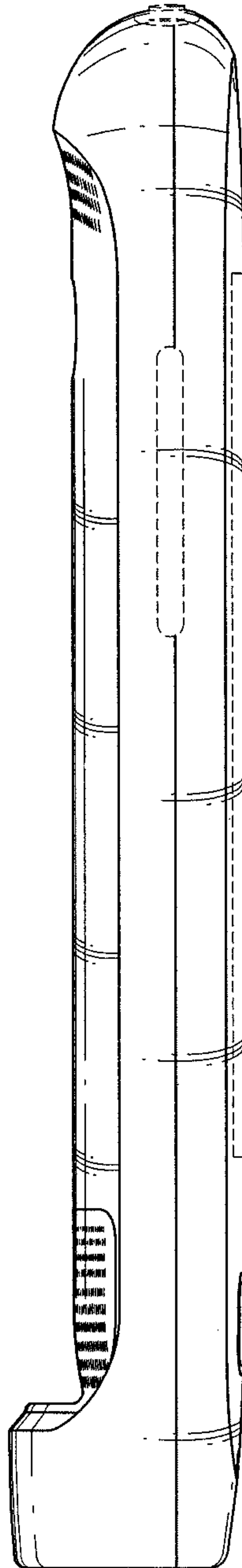


FIG. 5

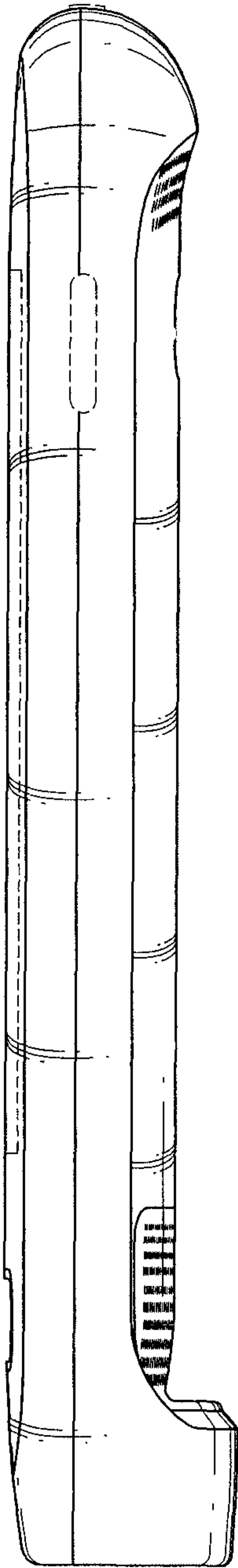


FIG. 6

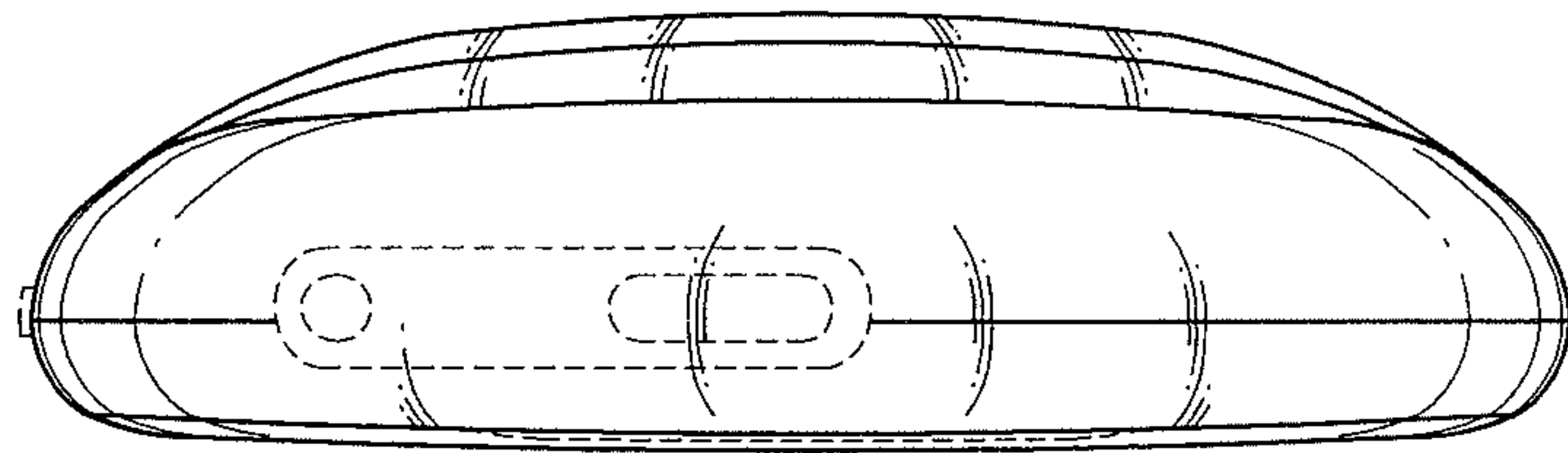


FIG. 7

