

US00D687784S

(12) **United States Design Patent**
Sakai et al.

(10) **Patent No.:** **US D687,784 S**

(45) **Date of Patent:** **** Aug. 13, 2013**

(54) **REMOTE CONTROLLER**

(75) Inventors: **Yuki Sakai**, Chiyoda-ku (JP); **Azumi Shimada**, Chiyoda-ku (JP)

(73) Assignee: **Mitsubishi Electric Corporation**, Tokyo (JP)

(**) Term: **14 Years**

(21) Appl. No.: **29/418,996**

(22) Filed: **Apr. 24, 2012**

(30) **Foreign Application Priority Data**

Nov. 24, 2011 (JP) 2011-027070

(51) **LOC (9) Cl.** **14-03**

(52) **U.S. Cl.**
USPC **D13/168**

(58) **Field of Classification Search**
USPC D13/168; D10/49, 50, 104.1, 106.1;
D14/203.7, 341, 496; 165/238; 315/158,
315/295; 340/4.3, 4.42, 12.22, 12.23, 12.24,
340/12.29, 12.3, 13.2, 13.21, 13.24; 341/176;
236/49.3, 46 R, 51, 1 C, 94; 348/734; 455/352;
700/17, 65, 83, 86, 276, 277
See application file for complete search history.

(56) **References Cited**

U.S. PATENT DOCUMENTS

4,768,230	A *	8/1988	Viebrantz et al.	398/106
4,980,522	A *	12/1990	Murakami et al.	200/5 A
D351,141	S *	10/1994	Van Akkeren et al.	D13/168
D374,693	S *	10/1996	Osborne	D21/513
D409,200	S *	5/1999	Cooper	D14/218
D450,305	S *	11/2001	Masuzoe et al.	D13/168
D493,148	S *	7/2004	Shibata et al.	D13/168
D503,686	S *	4/2005	Knox et al.	D13/162

D606,129	S *	12/2009	Ben-Moshe	D21/517
D623,606	S *	9/2010	Nakai et al.	D13/168
D639,751	S *	6/2011	Tucker et al.	D13/168
D642,544	S *	8/2011	Kataoka et al.	D13/168
D660,809	S *	5/2012	Kern Koskela et al.	D13/168
D661,662	S *	6/2012	Kikuchi et al.	D13/168

* cited by examiner

Primary Examiner — Selina Sikder

(74) *Attorney, Agent, or Firm* — Sughrue Mion, PLLC

(57) **CLAIM**

The ornamental design for a remote controller, as shown and described.

DESCRIPTION

FIG. 1 is a front, top and right side perspective view of a remote controller, showing my new design;
 FIG. 2 is a front elevational view thereof;
 FIG. 3 is a rear elevational view thereof;
 FIG. 4 is a left side elevational view thereof;
 FIG. 5 is a right side elevational view thereof;
 FIG. 6 is a top plan view thereof;
 FIG. 7 is a bottom plan view thereof;
 FIG. 8 is a reference vertical cross-sectional view thereof; taken in the direction of line 8-8 in FIG. 2, the broken line disclosure of internal elements being understood to be part of the article in which the claimed design is embodied, but which forms no part of the claimed design;
 FIG. 9 is a reference front elevational view thereof; and,
 FIG. 10 is a reference cross-sectional view thereof; taken in the direction of line 10-10 in FIG. 9, the broken line disclosure of internal elements being understood to be part of the article in which the claimed design is embodied, but which forms no part of the claimed design.

1 Claim, 8 Drawing Sheets

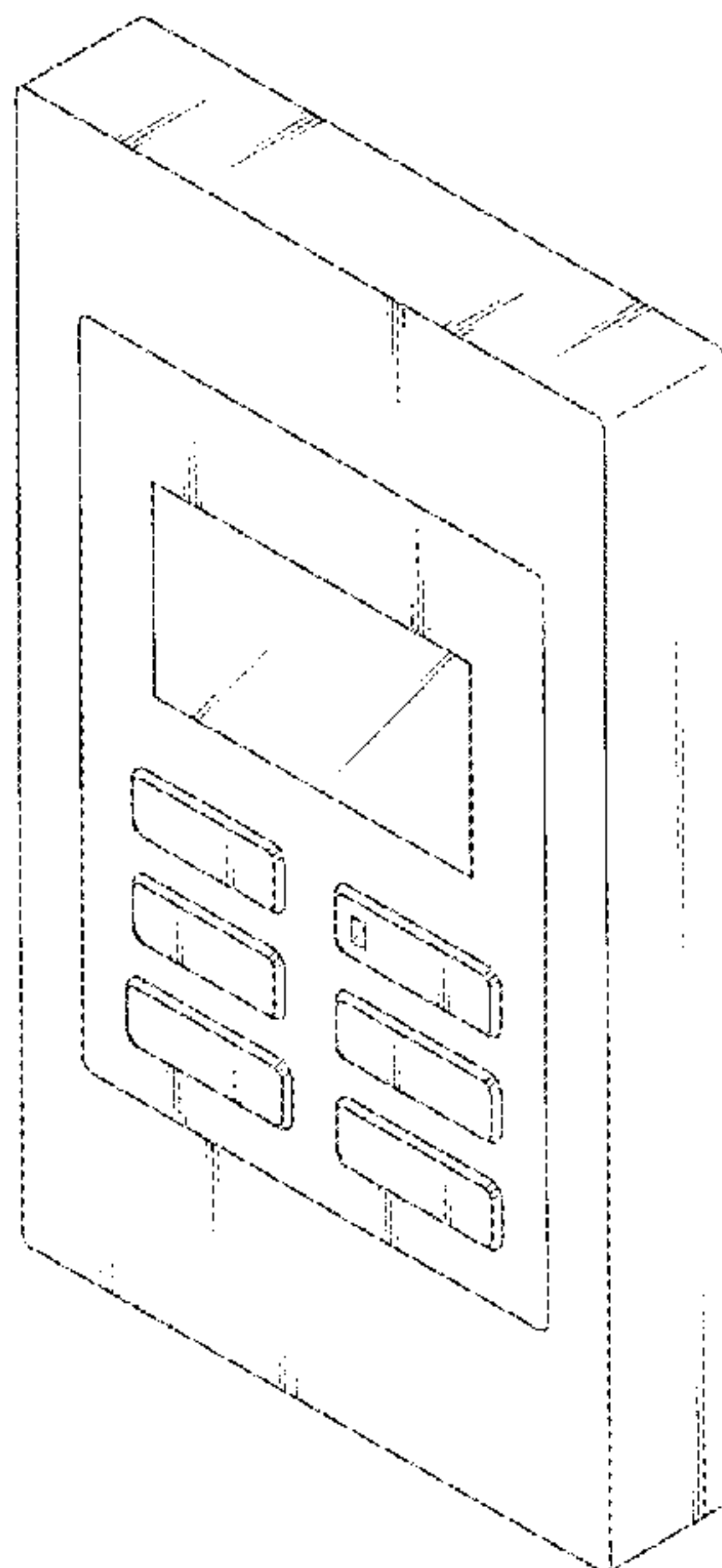


Fig. 1

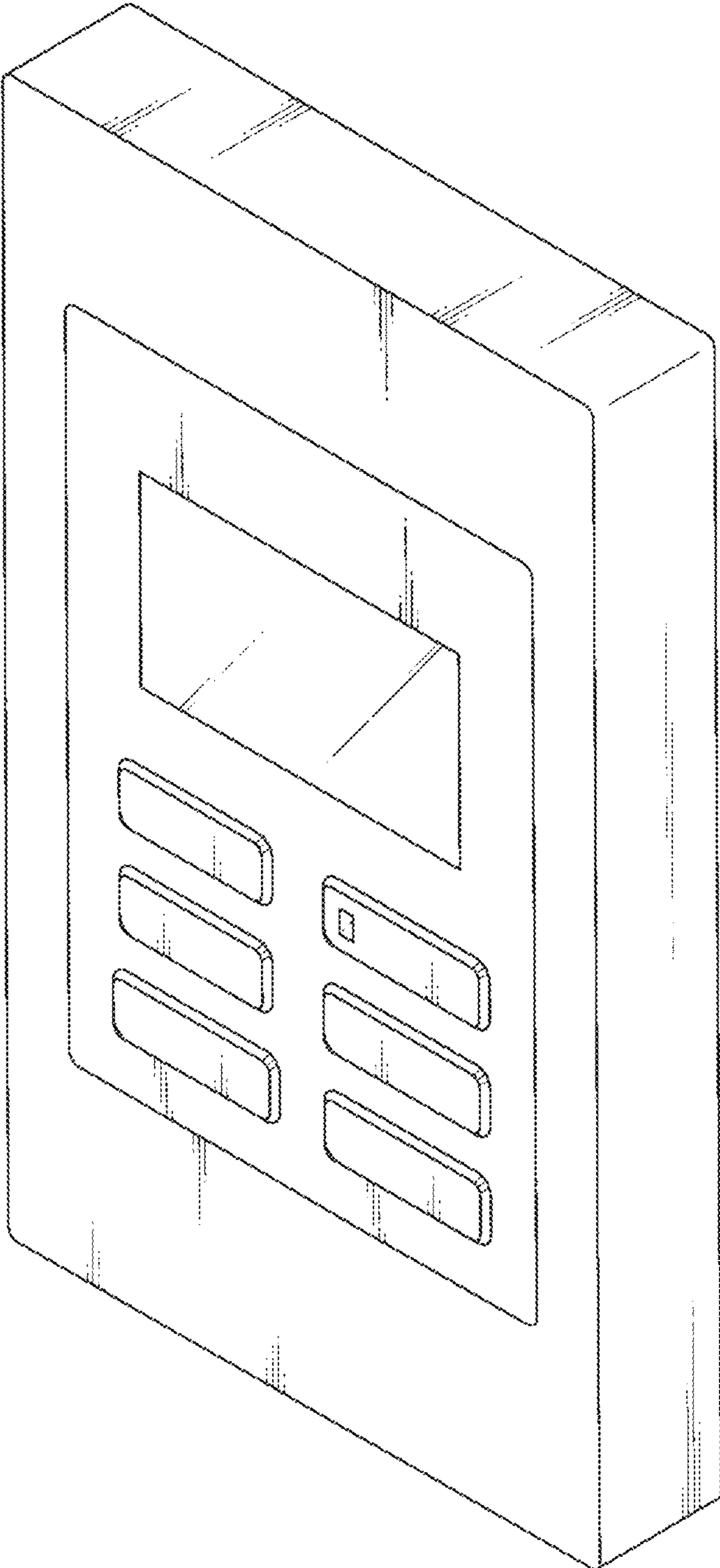


Fig. 2

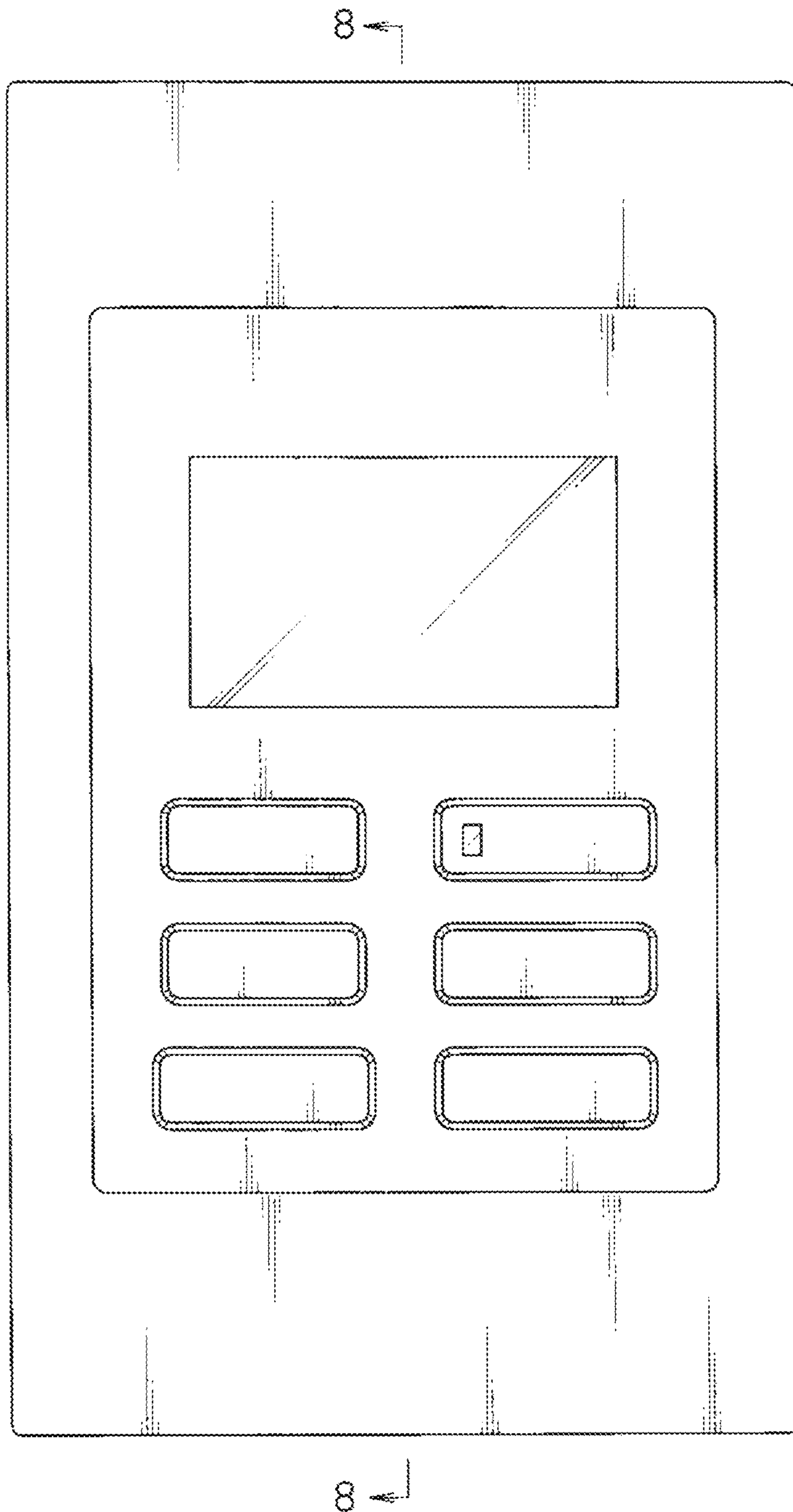


Fig. 3

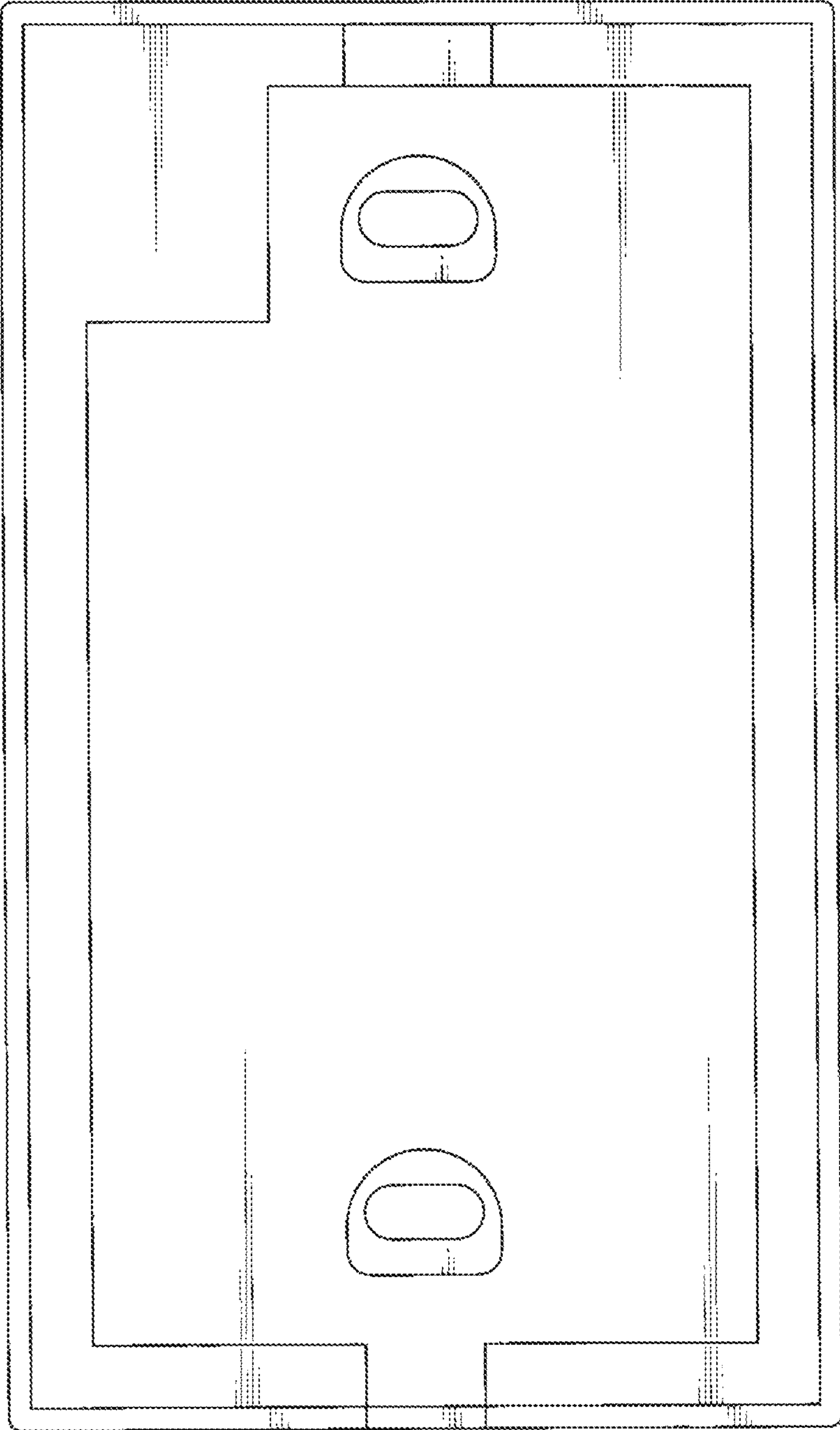


Fig. 4

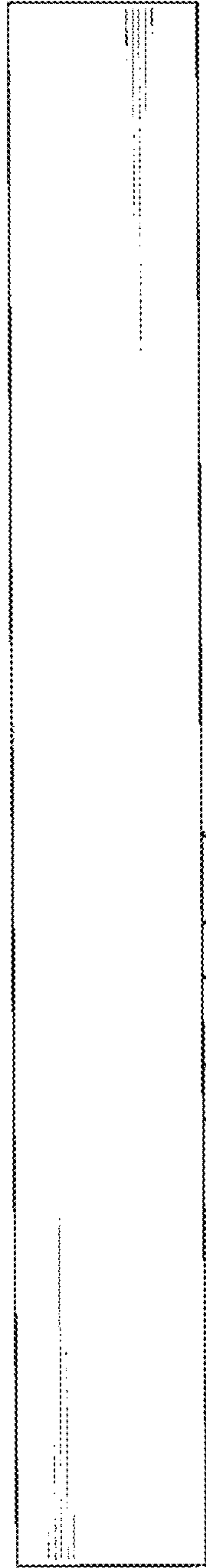


Fig. 5

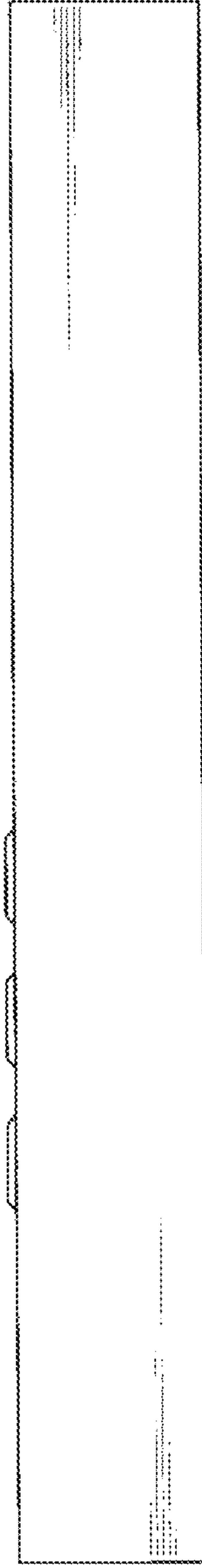


Fig. 6

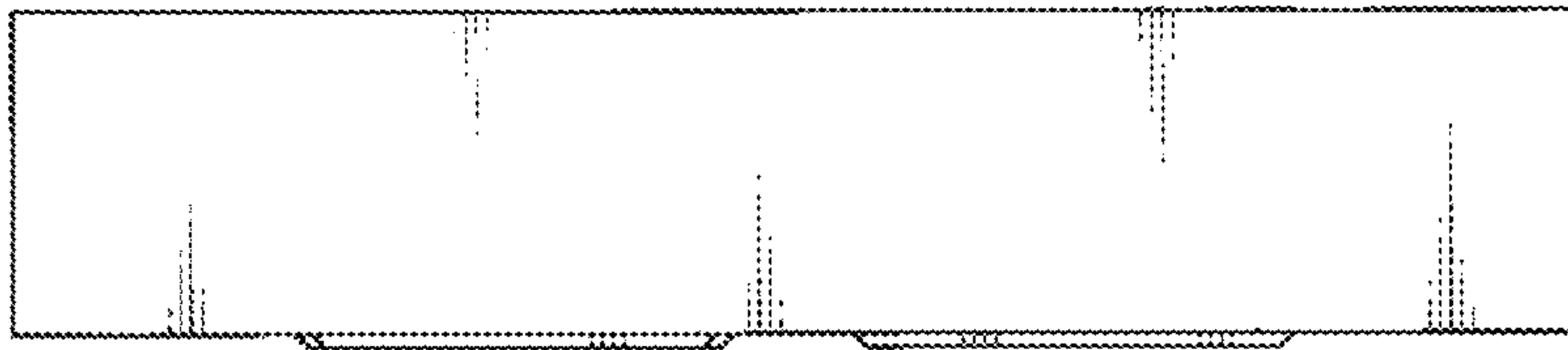


Fig. 7

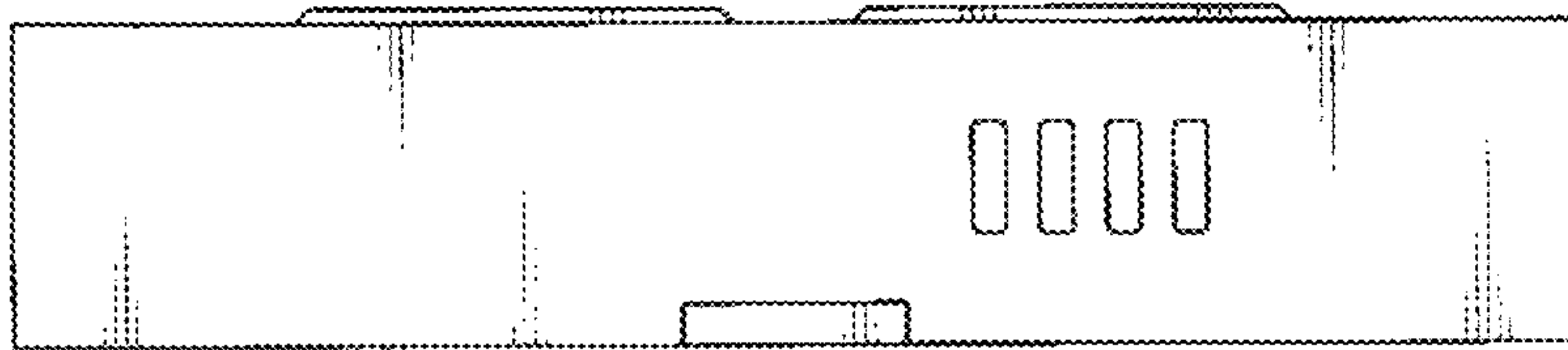


Fig. 8

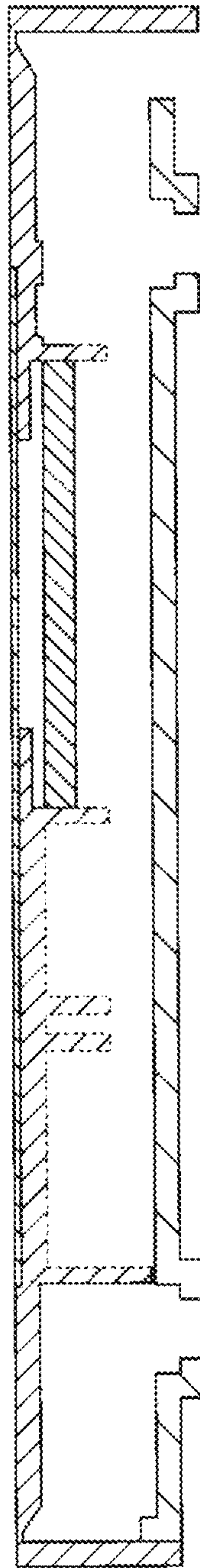


Fig. 9

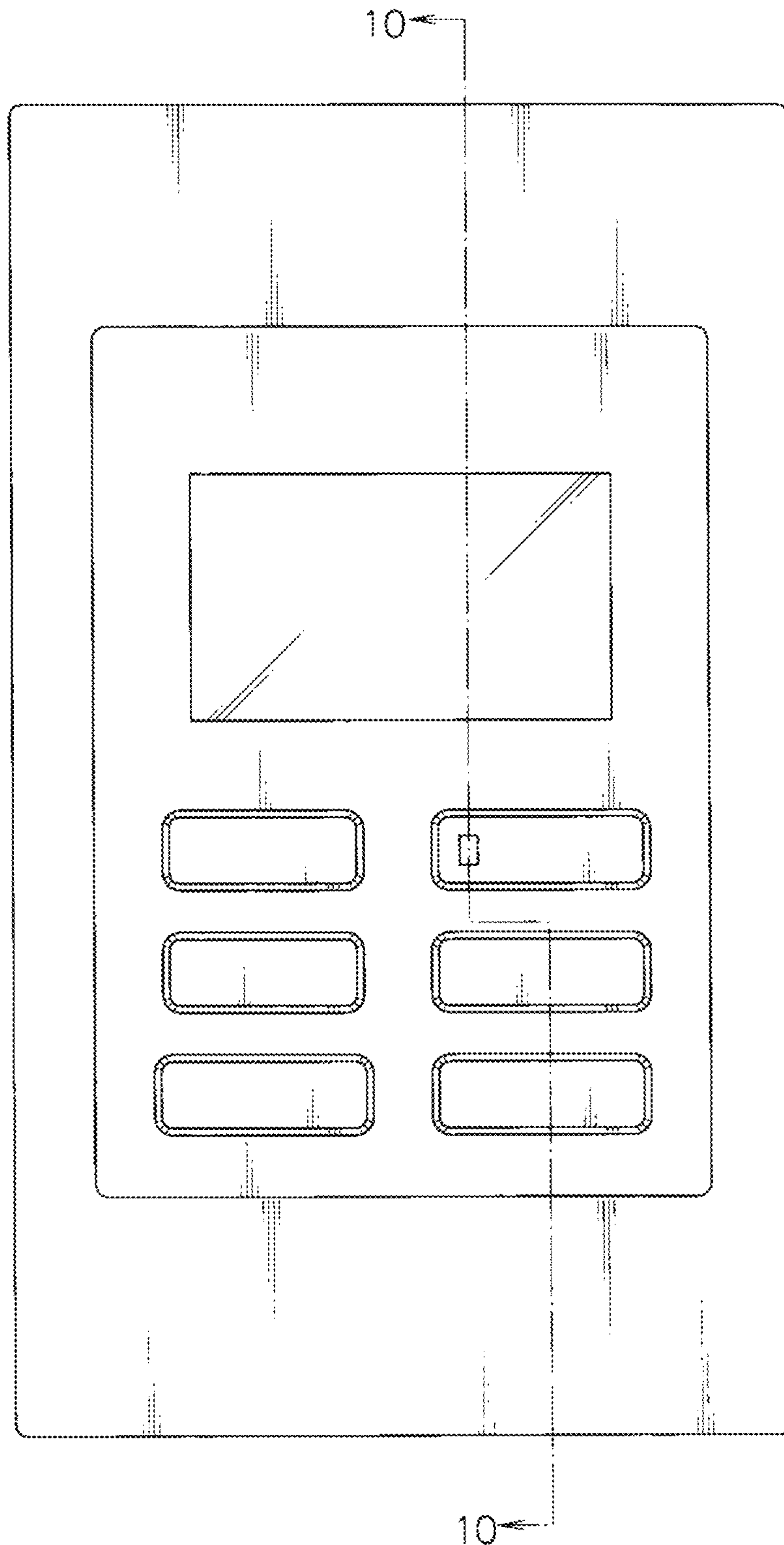


Fig. 10

