



US00D687783S

(12) **United States Design Patent**
Colley et al.

(10) **Patent No.:** **US D687,783 S**

(45) **Date of Patent:** **** Aug. 13, 2013**

(54) **CONTROL DEVICE**

(75) Inventors: **Andrew Colley**, Dundee (GB); **Charles G. V. Rohan**, Edinburgh (GB); **Philip N. Day**, Fife (GB)

(73) Assignee: **NCR Corporation**, Duluth, GA (US)

(**) Term: **14 Years**

(21) Appl. No.: **29/420,721**

(22) Filed: **May 11, 2012**

(51) **LOC (9) Cl.** **13-03**

(52) **U.S. Cl.**
USPC **D13/164**

(58) **Field of Classification Search**
USPC D13/158, 162, 164, 168, 171, 173,
D13/174, 177, 184, 199; 200/5 R, 5 A, 1 B,
200/42.01, 229, 237, 293, 296, 308, 310,
200/313-314, 329, 331, 341, 406, 513, 520,
200/530, 302.1, 302.2, 315, 344; 174/48,
174/52.1, 66; D8/350-353; 361/620, 627;
220/241; 307/125, 139; 315/291-296; 338/68,
338/152, 163, 184, 198-200, 226; D10/108,
D10/116, 118

See application file for complete search history.

(56) **References Cited**

U.S. PATENT DOCUMENTS

D239,394	S	*	3/1976	Adams	D13/169
D534,870	S	*	1/2007	Metschen et al.	D13/162
D559,889	S	*	1/2008	Nakao et al.	D17/22
D571,308	S	*	6/2008	Gastelum et al.	D13/168
D636,352	S	*	4/2011	Rodriguez et al.	D13/164

* cited by examiner

Primary Examiner — Thomas Johannes

(74) *Attorney, Agent, or Firm* — Paul W. Martin

(57) **CLAIM**

The ornamental design for a control device, as shown and described.

DESCRIPTION

FIG. 1 is a front view of a control device showing our new design;

FIG. 2 is a rear view thereof;

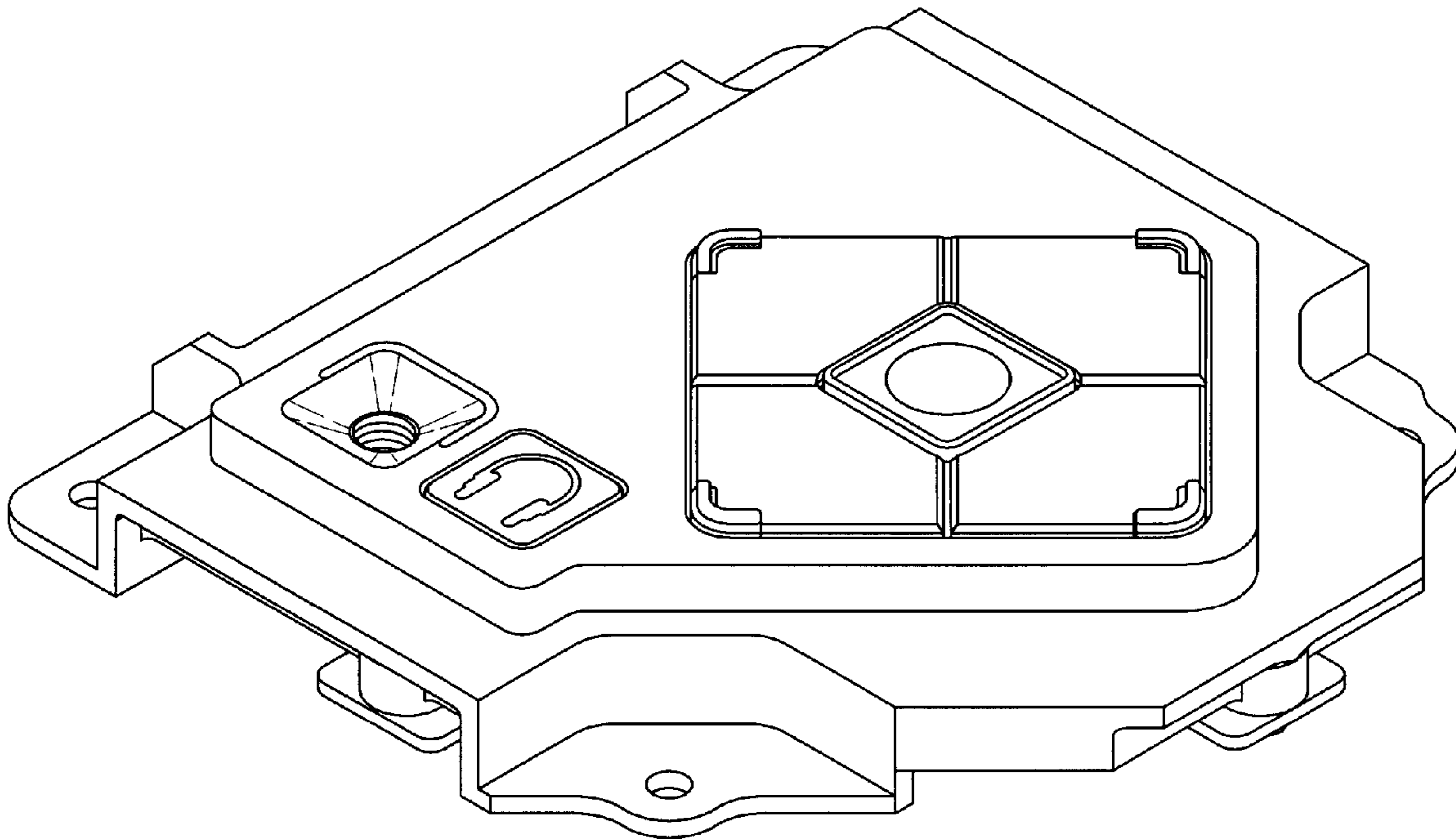
FIG. 3 is a right side view thereof;

FIG. 4 is a left side view thereof; and,

FIG. 5 is a perspective view thereof.

The broken line portion of the figure drawings is included to show unclaimed subject matter only and forms no part of the claimed design.

1 Claim, 4 Drawing Sheets



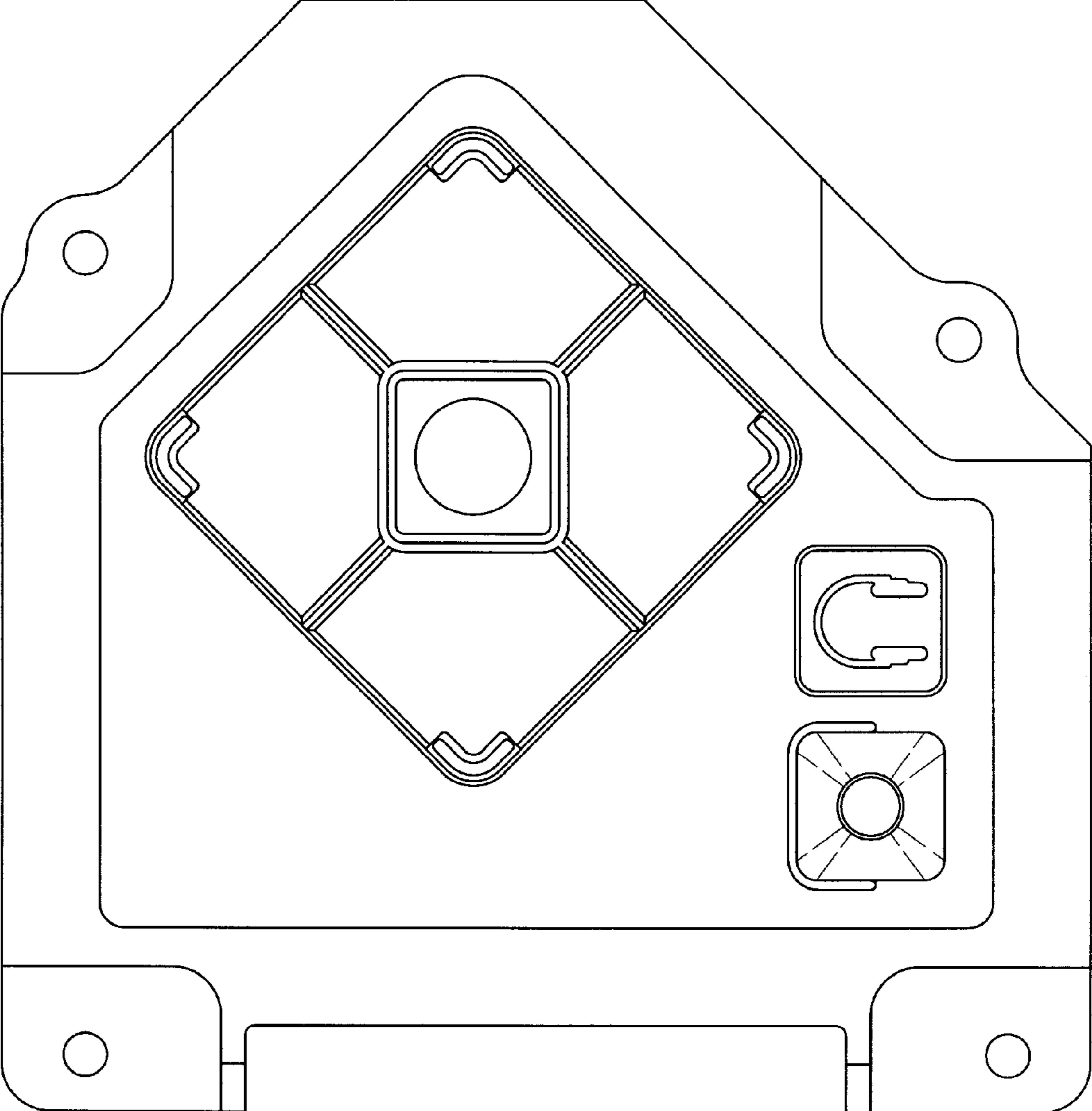


FIG. 1

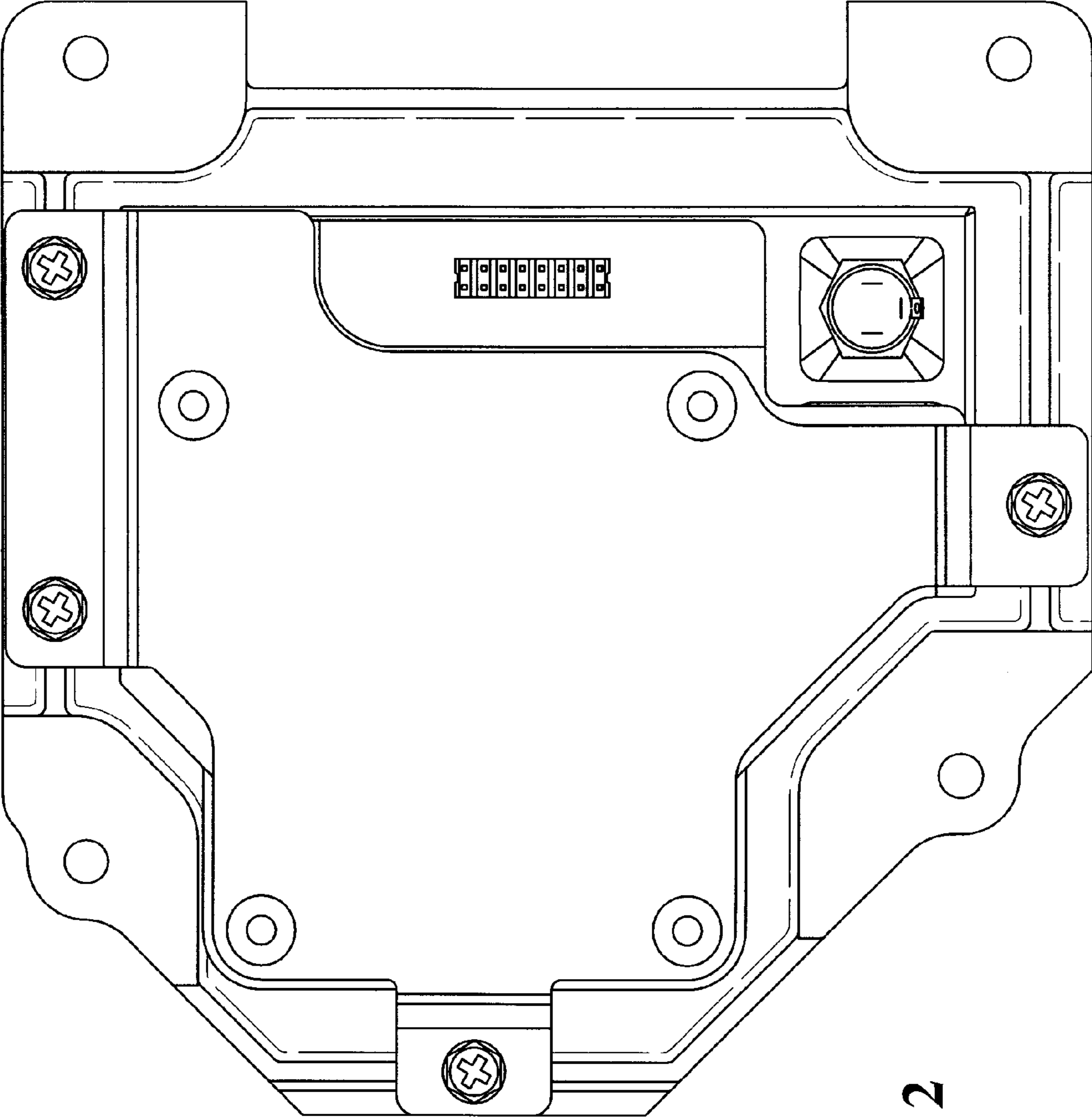


FIG. 2

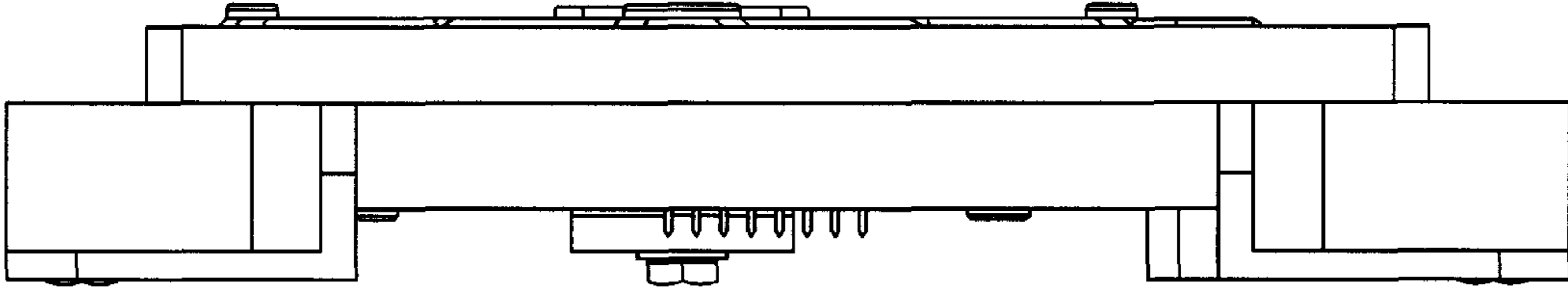


FIG. 4

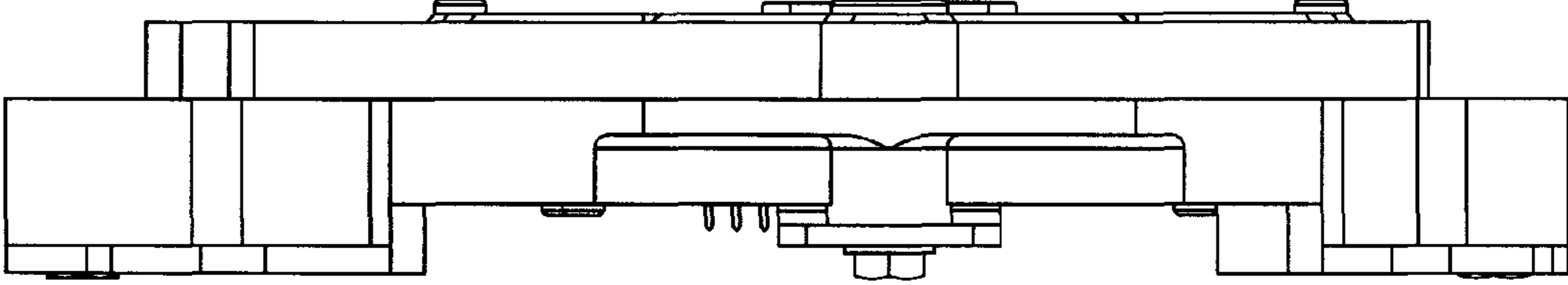


FIG. 3

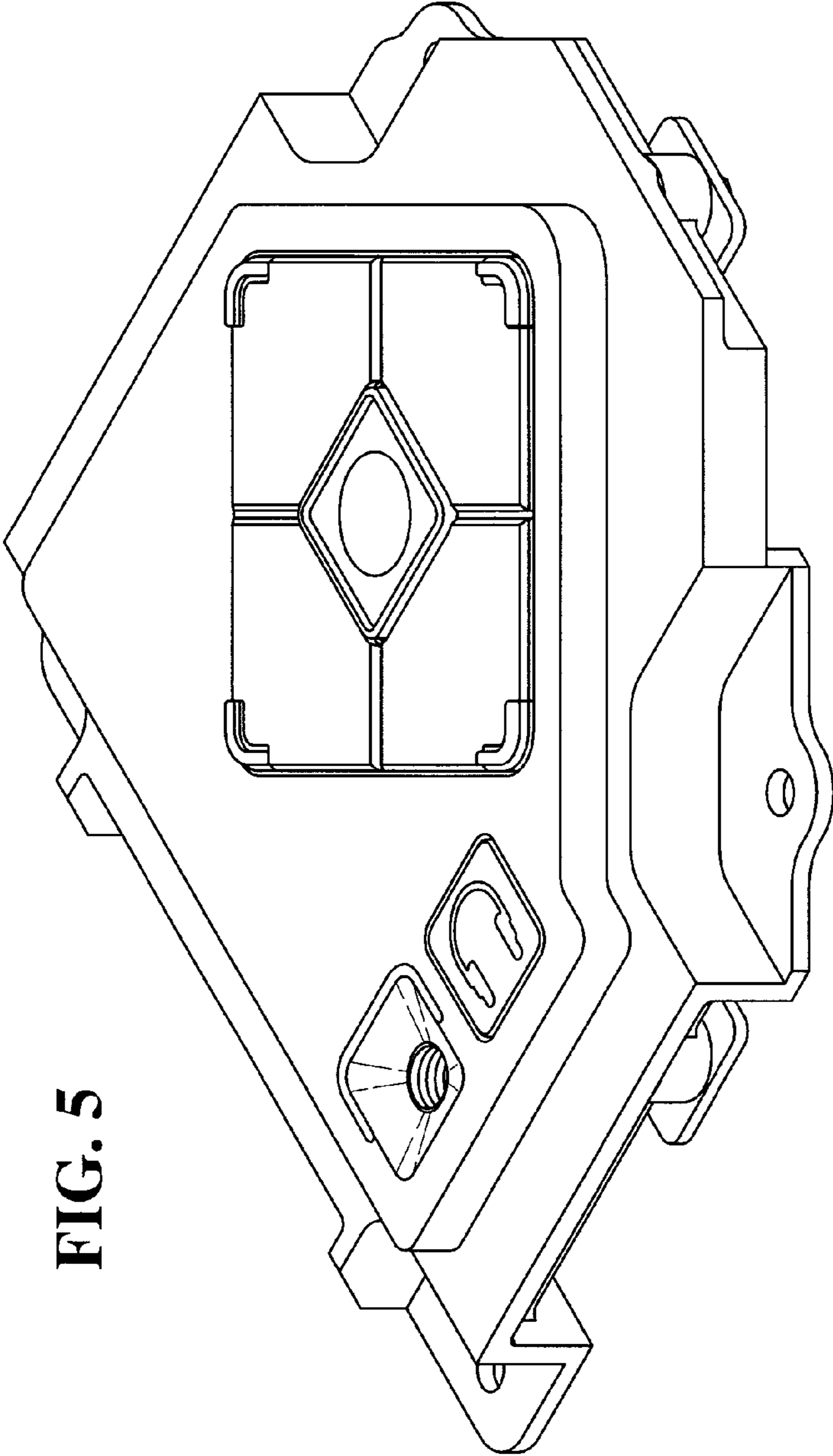


FIG. 5