



US00D687782S

(12) **United States Design Patent**
Woodlief

(10) **Patent No.:** **US D687,782 S**

(45) **Date of Patent:** **** Aug. 13, 2013**

(54) **CONDUIT TRAY**

(75) **Inventor:** **Wallace Sanford Woodlief**, Houston, TX (US)

(73) **Assignee:** **Enduro Composites, Inc.**, Houston, TX (US)

(**) **Term:** **14 Years**

(21) **Appl. No.:** **29/416,025**

(22) **Filed:** **Mar. 16, 2012**

(51) **LOC (9) Cl.** **13-03**

(52) **U.S. Cl.**
USPC **D13/155**

(58) **Field of Classification Search**
USPC D13/133, 149, 151, 153, 154, 155, D13/156, 158, 170, 184, 199; D8/339, 342, D8/343, 344, 349, 354, 364, 366, 376, 377, D8/380, 381; D25/48.2, 119, 120, 121, 123, D25/126, 13, 132, 133, 136, 164; 439/110, 439/115, 116, 119, 120, 121, 122, 207, 209, 439/210, 211; 174/68.2, 74.3, 74.4, 74.2, 174/95, 97, 99 B, 101, 365; 248/55, 65, 67.5, 248/73; 52/653.1

See application file for complete search history.

(56) **References Cited**

U.S. PATENT DOCUMENTS

3,384,702 A * 5/1968 Stevens 174/68.2
3,609,215 A * 9/1971 Giger et al. 174/88 B
4,166,195 A * 8/1979 Schwab 174/95
4,695,019 A 9/1987 Lindberg et al.

5,313,752 A * 5/1994 Hatzinikolas 52/243
5,523,529 A * 6/1996 Holliday 174/101
6,199,341 B1 * 3/2001 Carlin et al. 52/653.1
6,246,004 B1 * 6/2001 Faccin 174/95
7,832,171 B2 * 11/2010 Erickson et al. 52/653.1
8,020,352 B2 * 9/2011 Ahearn 52/242
2004/0003564 A1 * 1/2004 Surowiecki 52/481.1

FOREIGN PATENT DOCUMENTS

ES 2097015 3/1995
FR 2395449 1/1979
WO 2006125907 A2 11/2006

OTHER PUBLICATIONS

cope-glas TM, Fiberglass Cable Tray Product Catalog (2007),
retrieved from www.simrep.com/copeglas.pdf.

* cited by examiner

Primary Examiner — Derrick Holland

Assistant Examiner — Lauren Calve

(74) *Attorney, Agent, or Firm* — Bracewell & Giuliani LLP

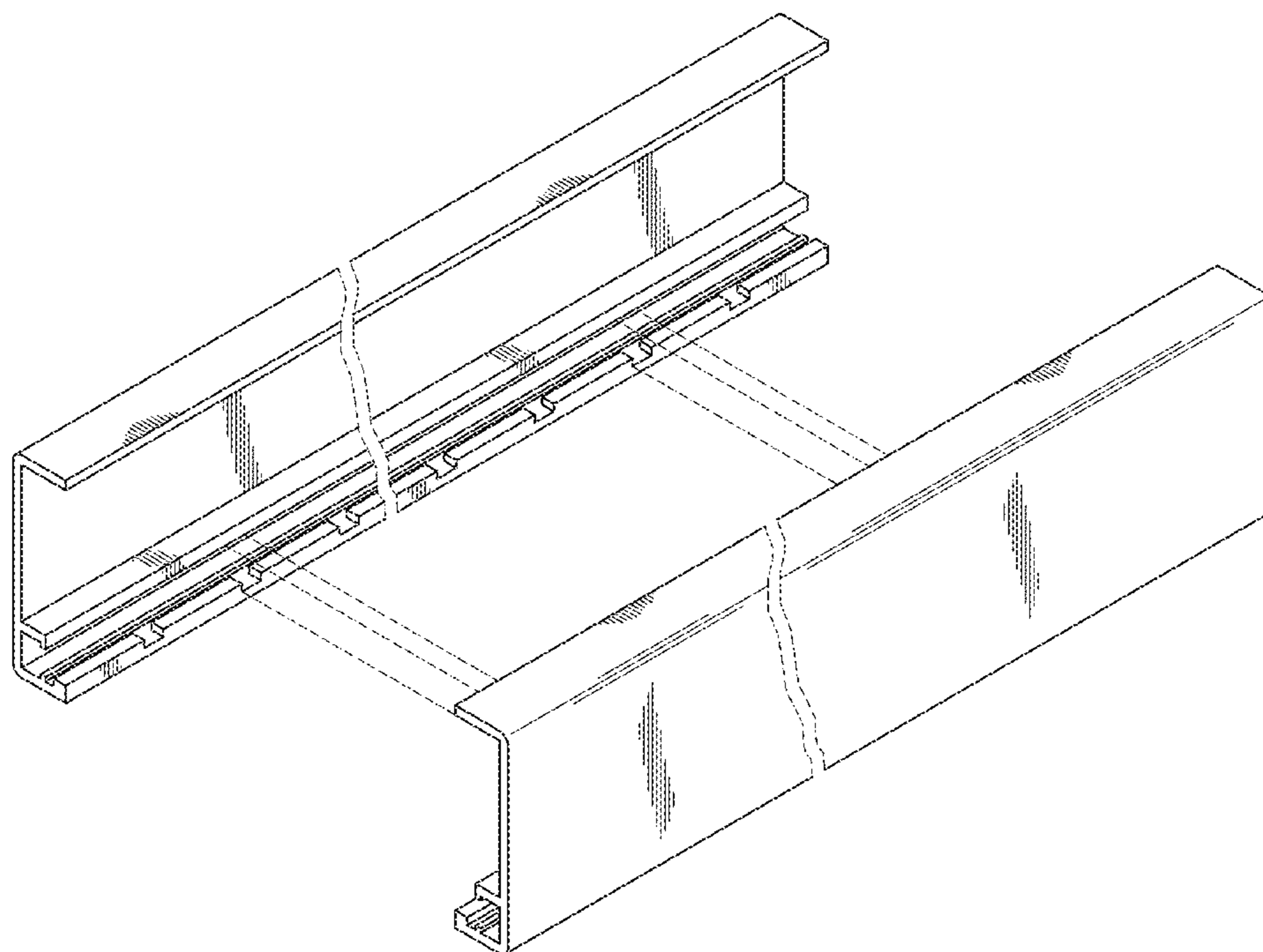
(57) **CLAIM**

I claim the ornamental design for a conduit tray, as shown and described.

DESCRIPTION

FIG. 1 is a perspective view of a conduit tray of my invention; FIG. 2 is a top plan view of the conduit tray of FIG. 1; FIG. 3 is end-elevation view of the conduit tray of FIG. 1; and, FIG. 4 is a side-elevation view of the conduit tray of FIG. 1. The broken lines shown represent unclaimed subject matter and indeterminate length, all of which form no part of the claimed design.

1 Claim, 3 Drawing Sheets



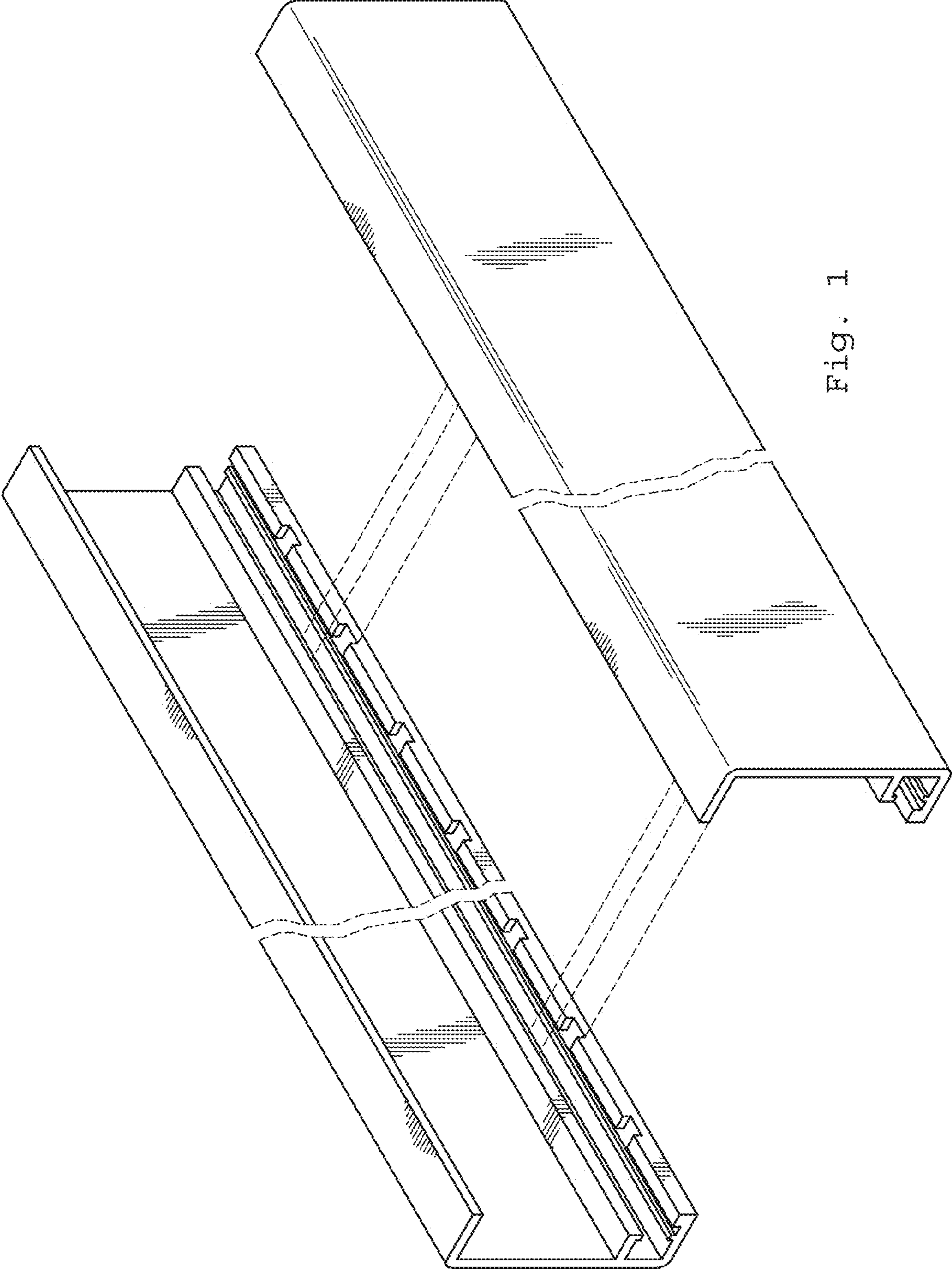


Fig. 1

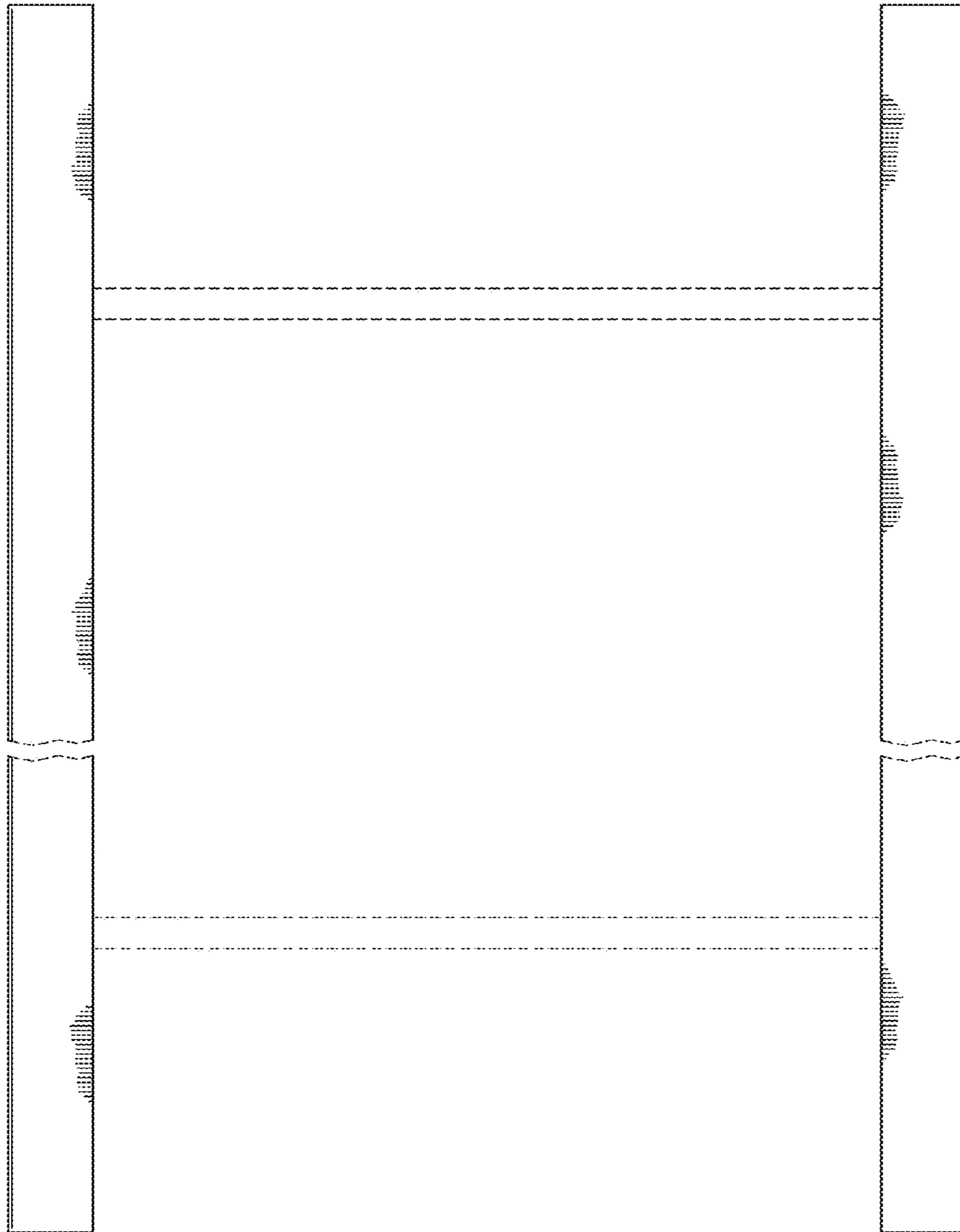


Fig. 2

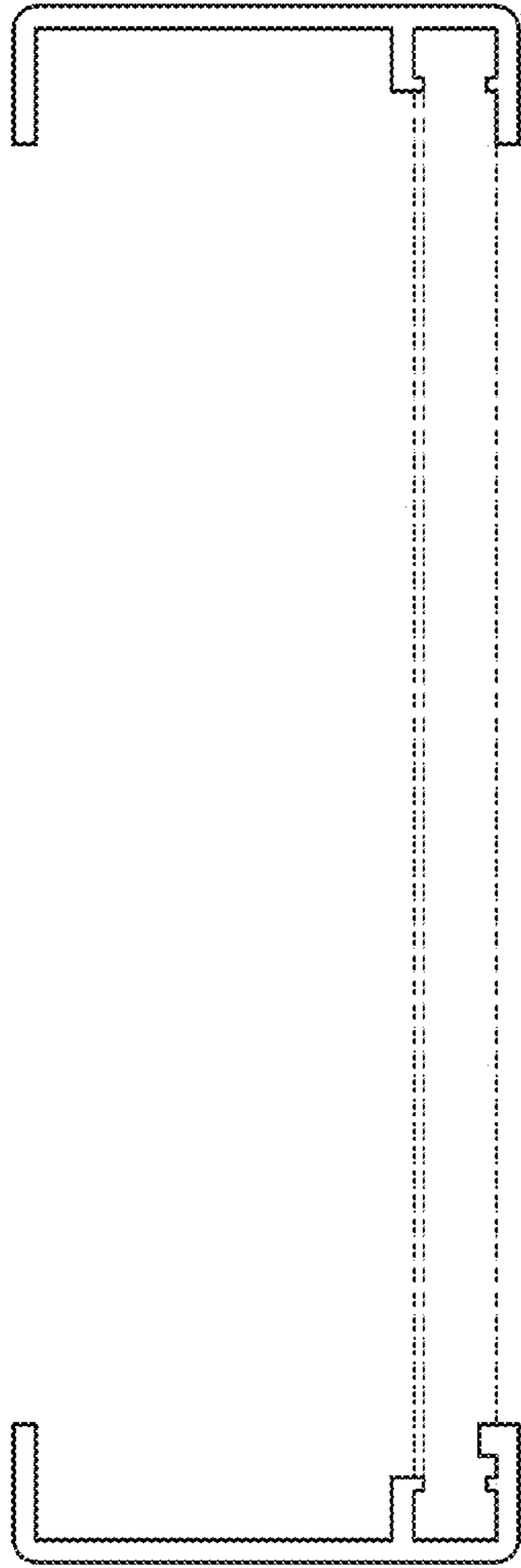


Fig. 3

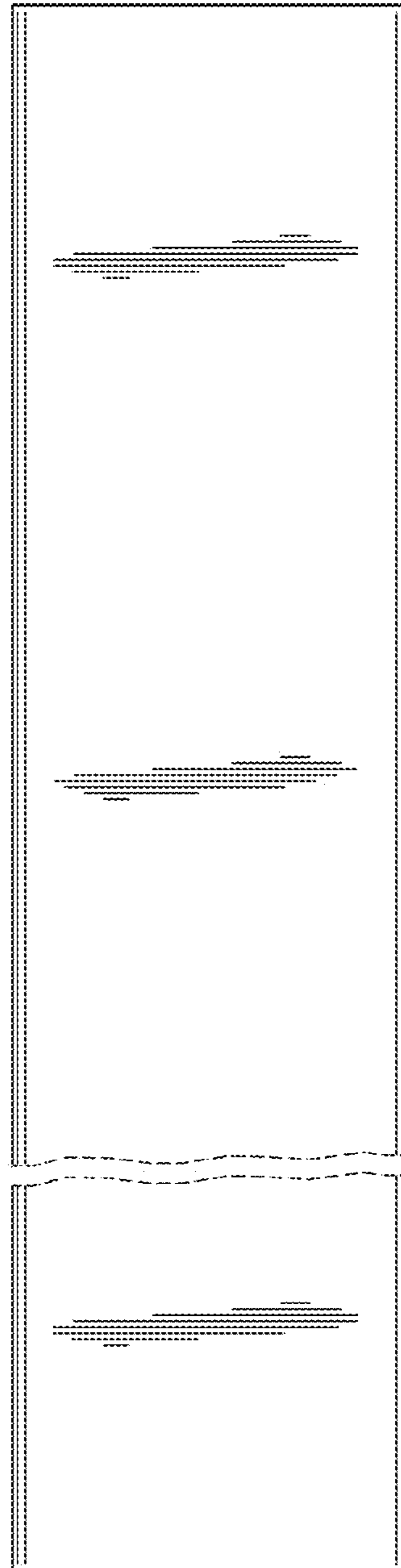


Fig. 4