



US00D687781S

(12) **United States Design Patent**
Du et al.

(10) **Patent No.:** **US D687,781 S**

(45) **Date of Patent:** **** Aug. 13, 2013**

(54) **ELECTRICAL CONNECTOR**

(75) Inventors: **Juan Du**, Kunshan (CN); **Hong-Qiang Han**, Kunshan (CN); **Zi-Qiang Zhu**, Kunshan (CN)

(73) Assignee: **Hon Hai Precision Industry Co., Ltd.**, New Taipei (TW)

(**) Term: **14 Years**

(21) Appl. No.: **29/403,844**

(22) Filed: **Oct. 12, 2011**

(30) **Foreign Application Priority Data**

Apr. 12, 2011 (CN) 2011 3 0073397

(51) **LOC (9) Cl.** **13-03**

(52) **U.S. Cl.**
USPC **D13/147**

(58) **Field of Classification Search**
USPC D13/133, 147, 154, 184, 199; 439/79, 439/108, 180, 246, 374, 488, 527, 529, 530, 439/533, 540.1, 541.5, 607.1, 607.4, 607.5, 439/607.17, 607.25, 607.34, 607.41, 607.53, 439/660, 676, 680, 883, 891, 892, 894
See application file for complete search history.

(56) **References Cited**

U.S. PATENT DOCUMENTS

D590,776 S * 4/2009 Kondo D13/147
D602,873 S * 10/2009 Sasaki et al. D13/147

D622,223 S * 8/2010 Xiong et al. D13/147
D629,756 S * 12/2010 Zhu et al. D13/147
2009/0029600 A1 * 1/2009 Xiong et al. 439/676
2009/0298336 A1 * 12/2009 Xiong et al. 439/607.01
2009/0298351 A1 * 12/2009 Xiong et al. 439/676
2010/0255731 A1 * 10/2010 Oyake et al. 439/660

FOREIGN PATENT DOCUMENTS

TW D139642 3/2009

* cited by examiner

Primary Examiner — Daniel Bui

(74) *Attorney, Agent, or Firm* — Wei Te Chung; Ming Chieh Chang

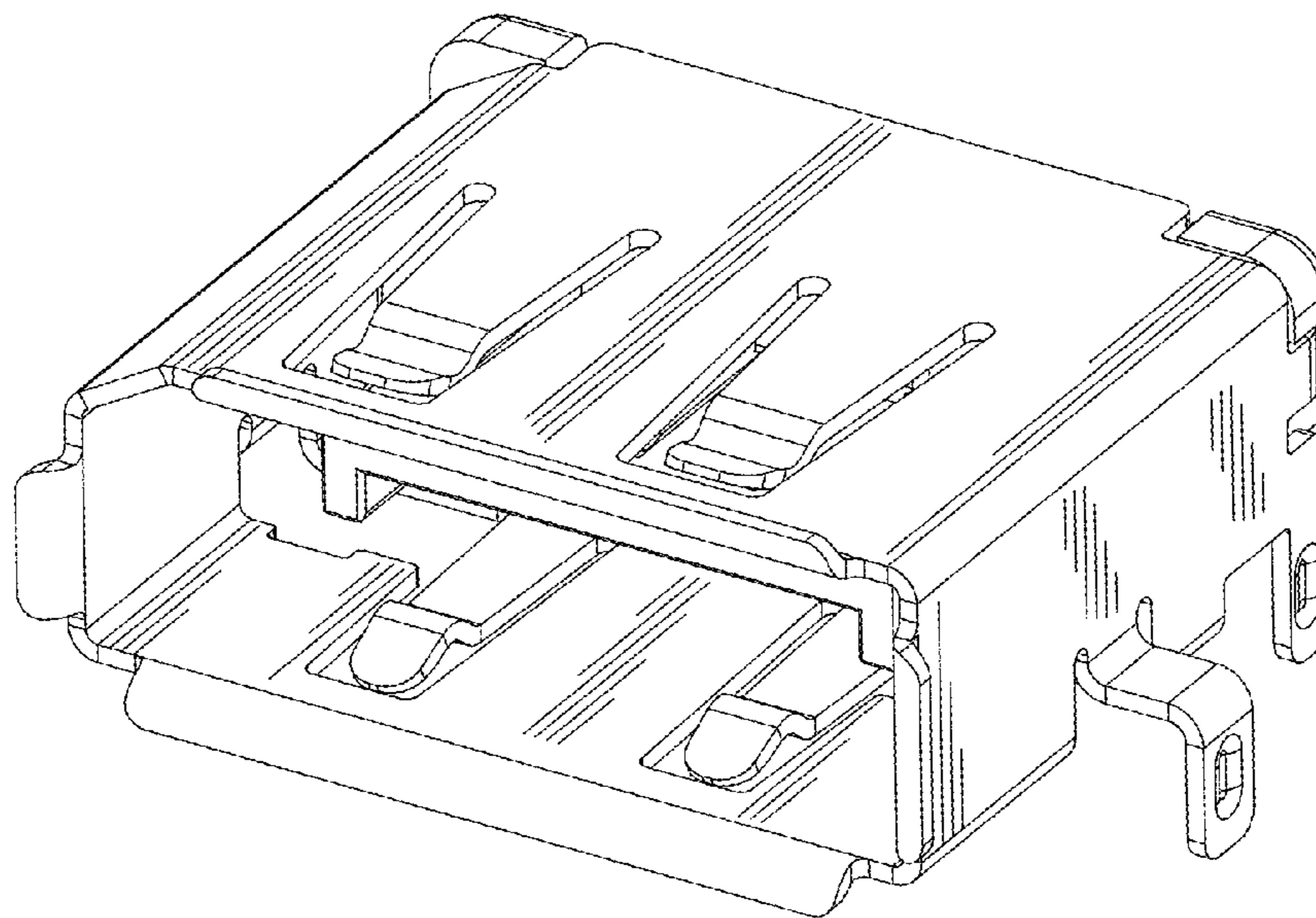
(57) **CLAIM**

The ornamental design for an electrical connector, as shown and described.

DESCRIPTION

FIG. 1 is a front, top and right side perspective view of an electrical connector showing our new design; FIG. 2 is a front elevational view thereof; FIG. 3 is a rear elevational view thereof; FIG. 4 is a left side elevational view thereof; FIG. 5 is a right side elevational view thereof; FIG. 6 is a top plan view thereof; and, FIG. 7 is a bottom plan view thereof. The broken line in the drawing views is included to show unclaimed environment only and forms no part of the claimed design.

1 Claim, 7 Drawing Sheets



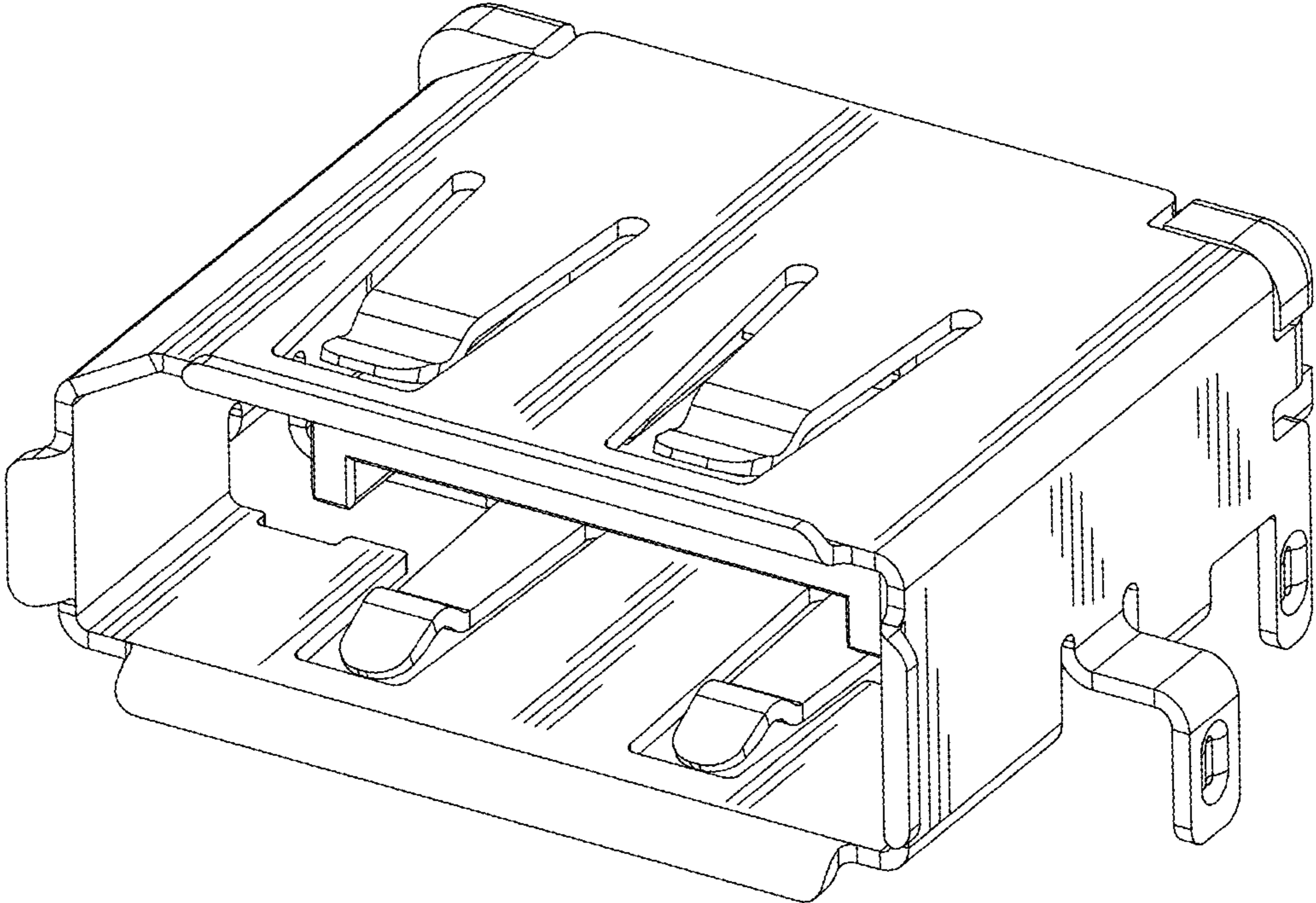


FIG. 1

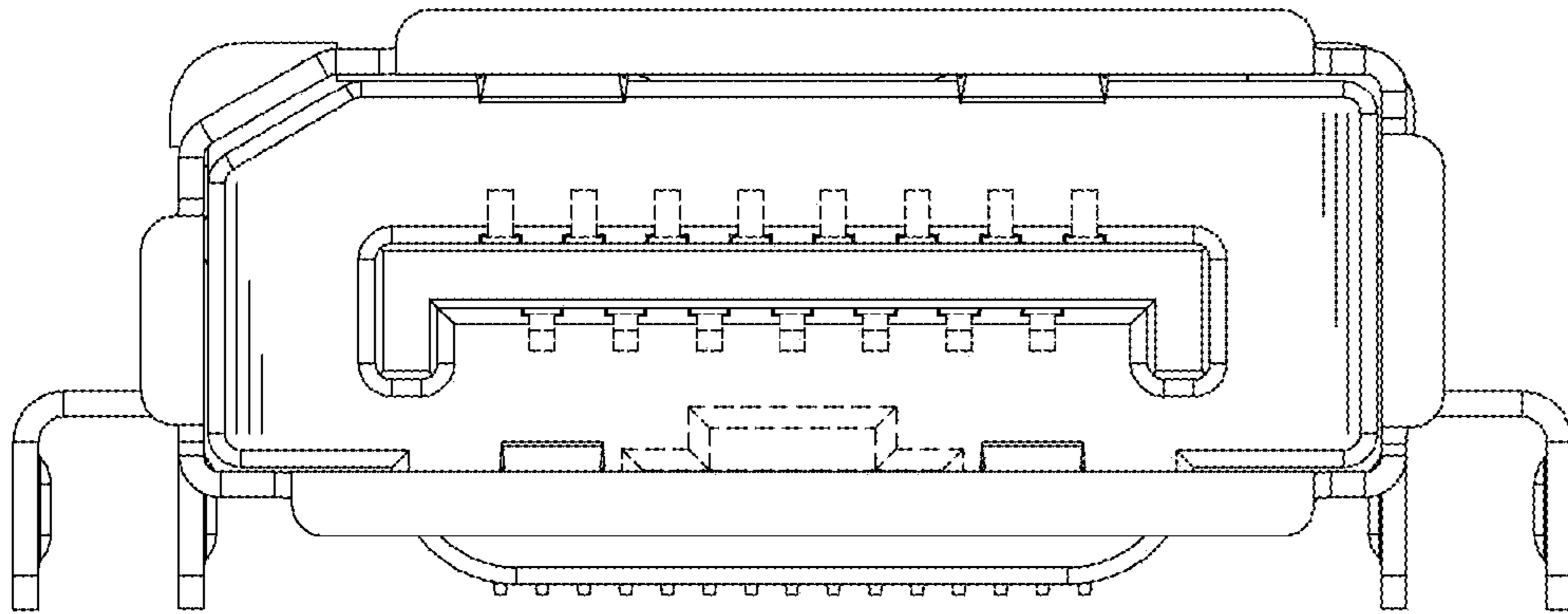


FIG. 2

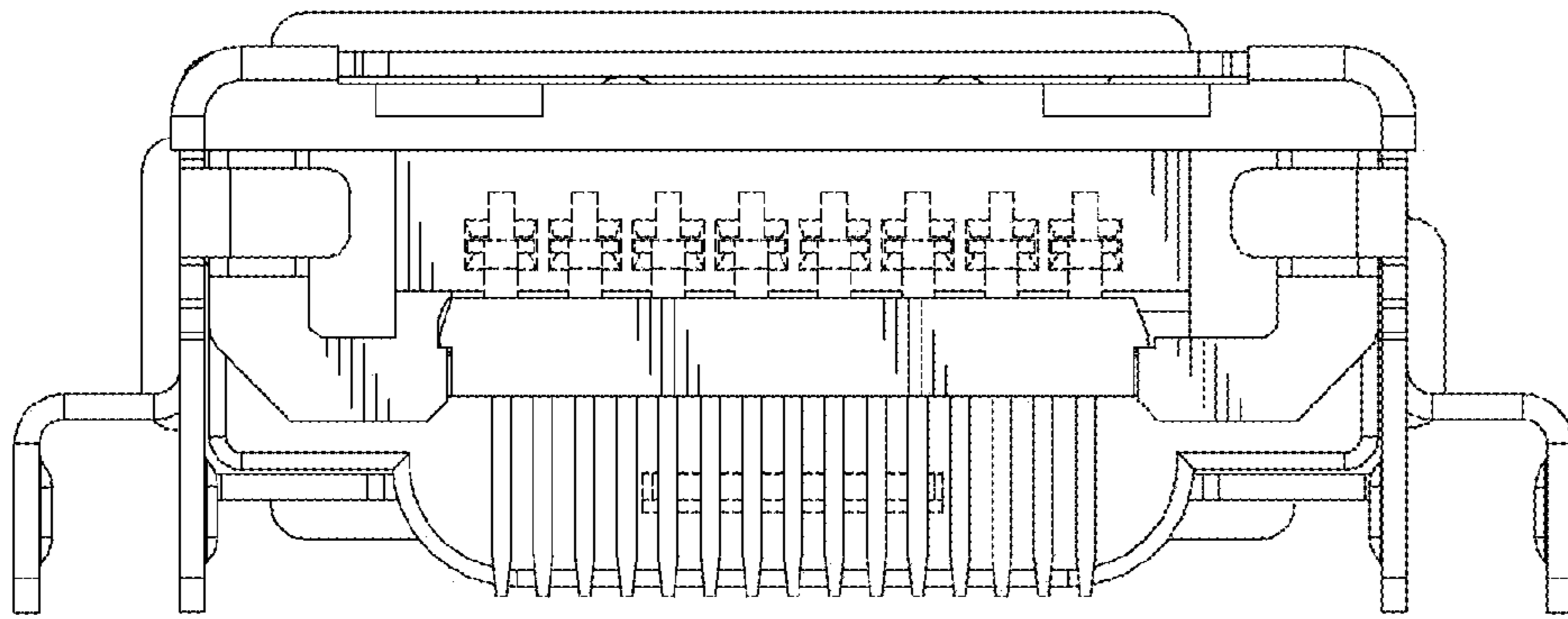


FIG. 3

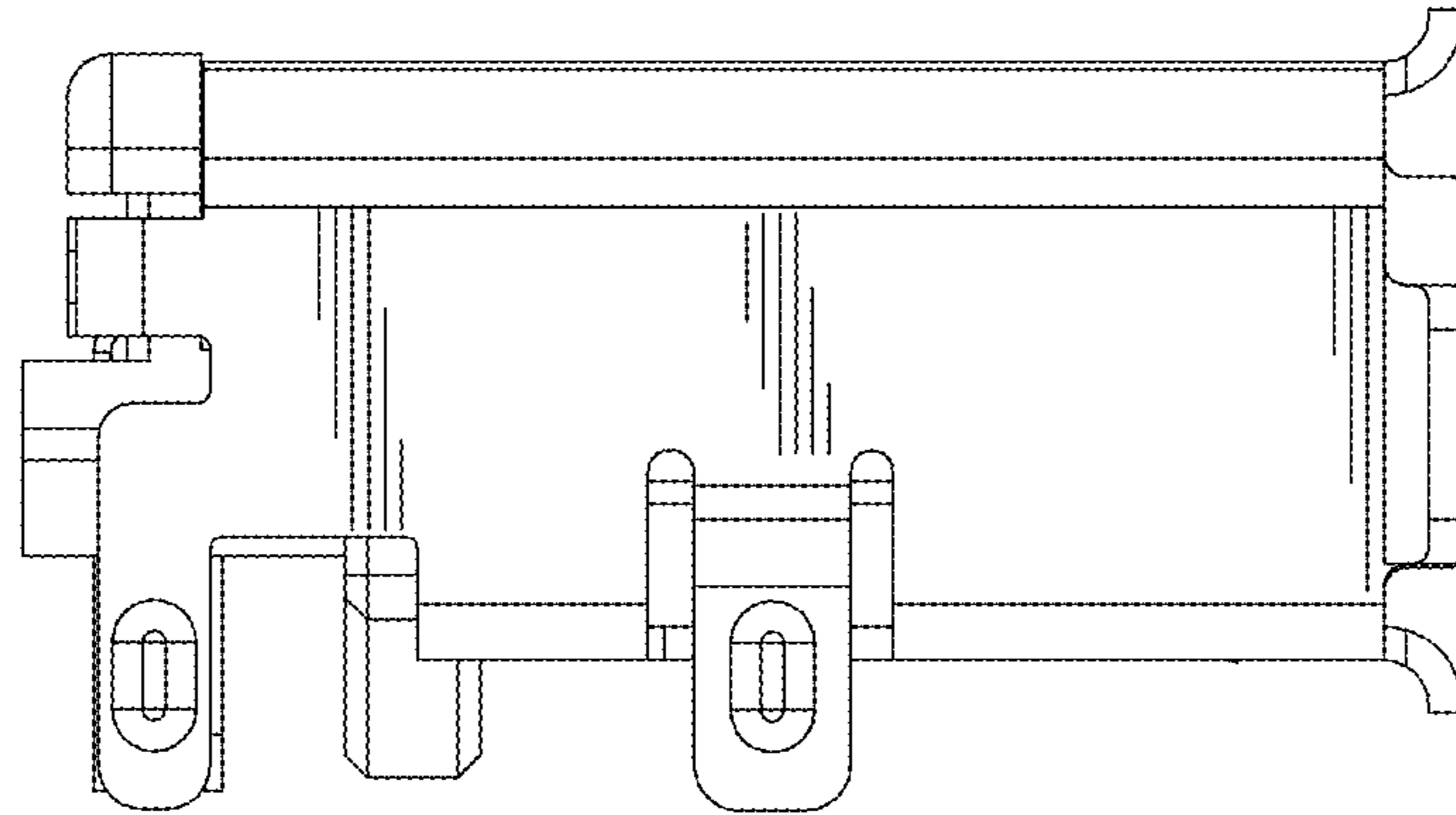


FIG. 4

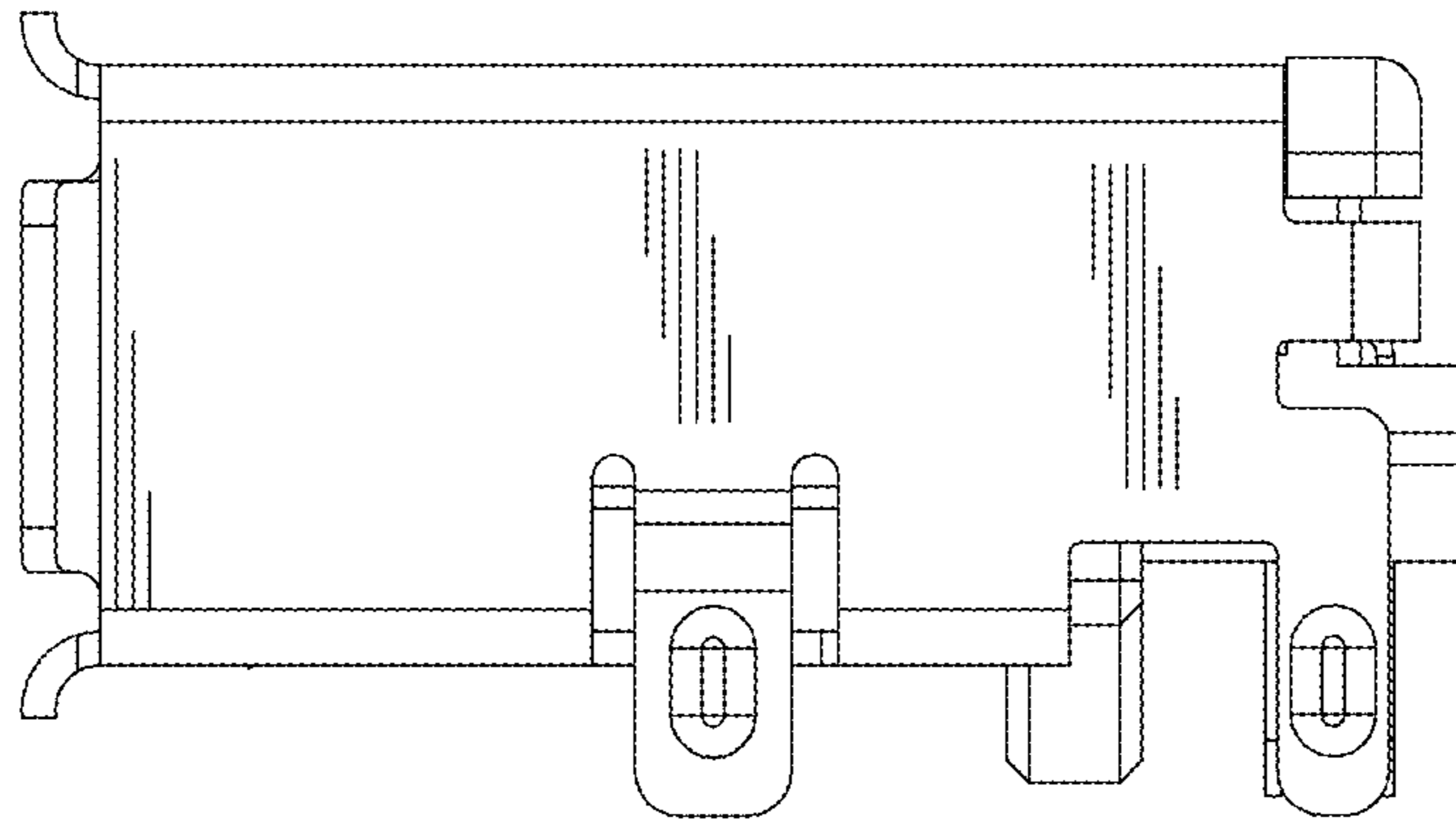


FIG. 5

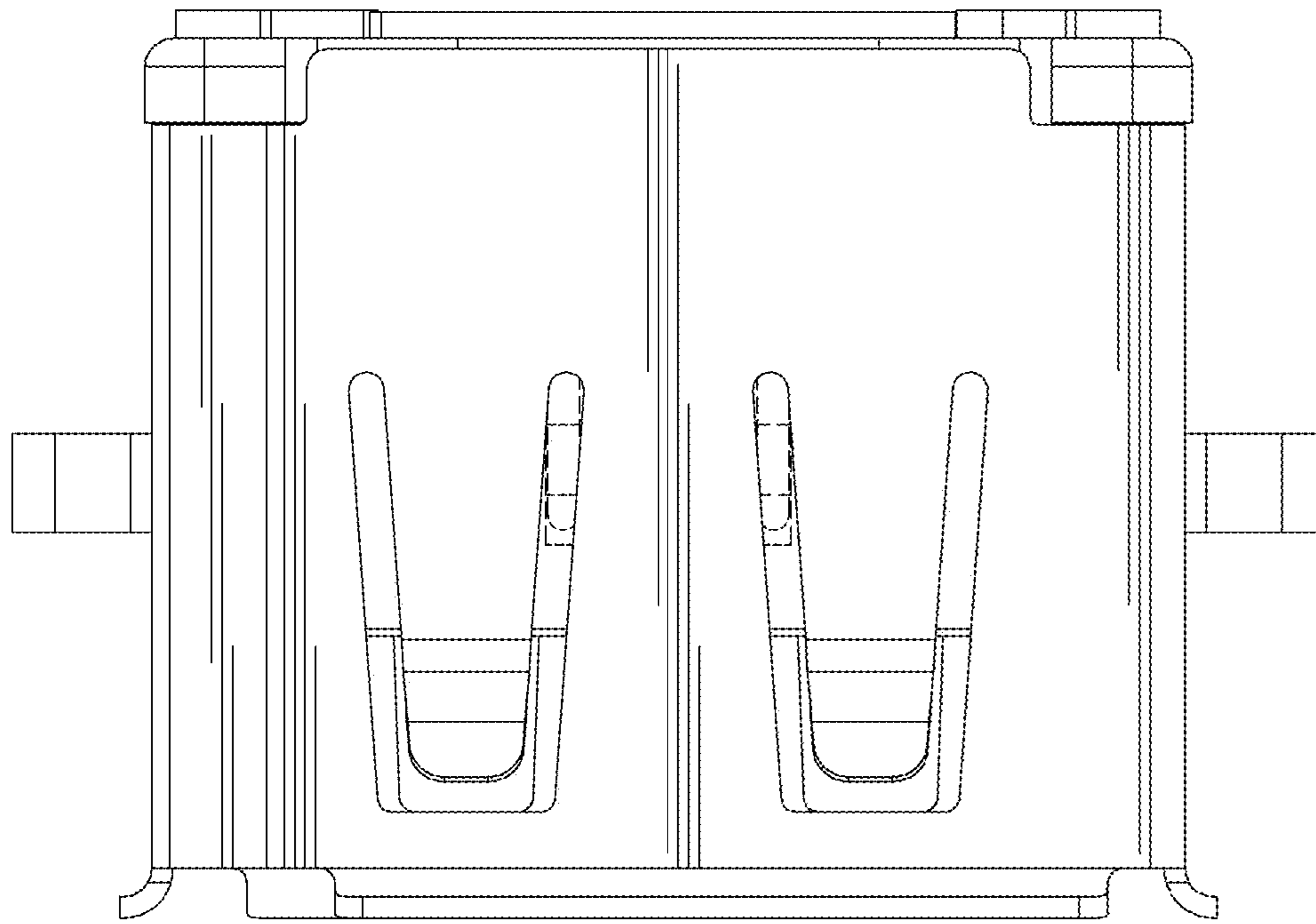


FIG. 6

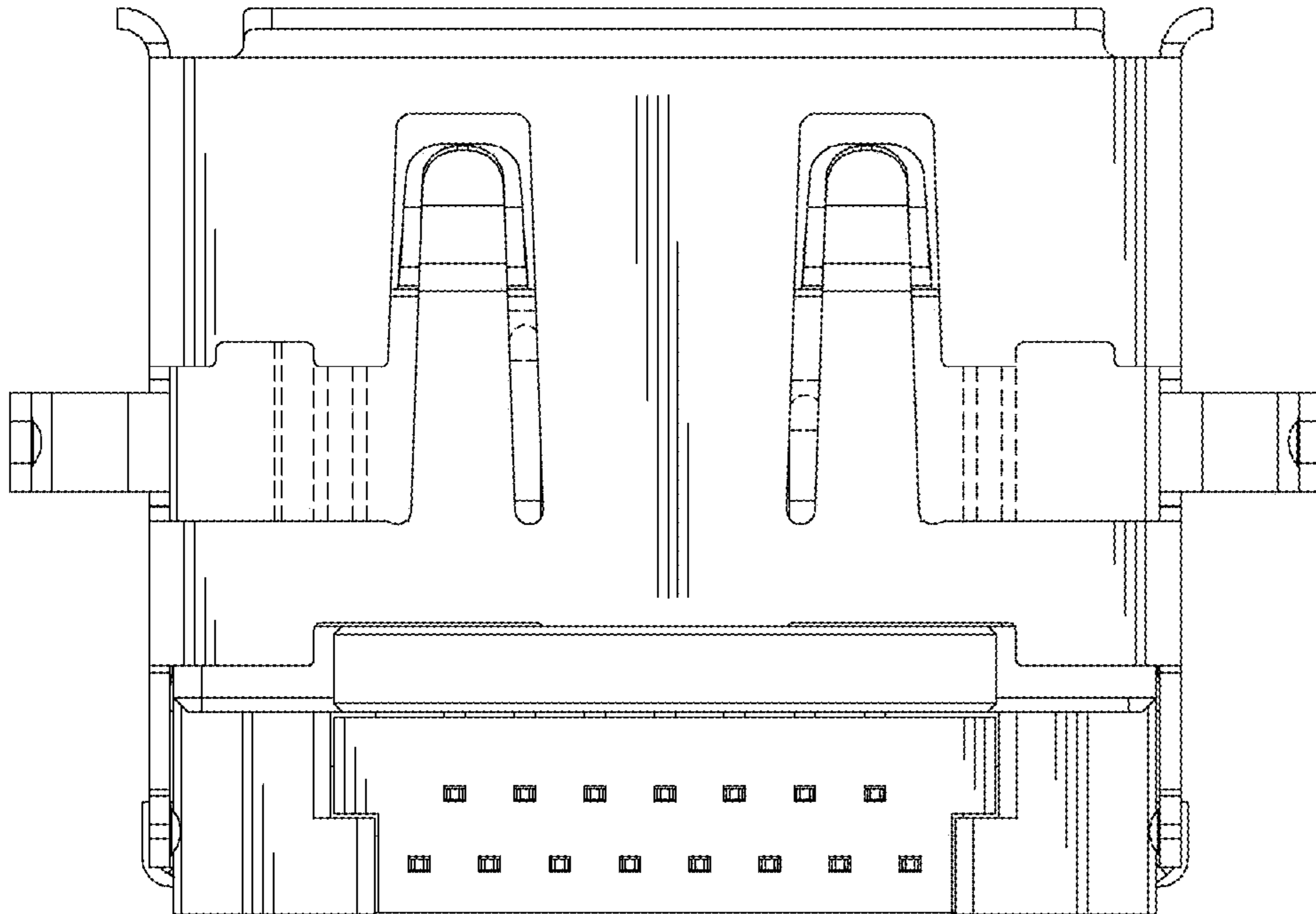


FIG. 7