

US00D687778S

(12) **United States Design Patent**
Utz

(10) **Patent No.:** **US D687,778 S**

(45) **Date of Patent:** **** Aug. 13, 2013**

- (54) **ELECTRICAL POWER COUPLER**
- (75) Inventor: **James Utz**, Round Rock, TX (US)
- (73) Assignee: **Chatsworth Products, Inc.**, Westlake Village, CA (US)
- (**) Term: **14 Years**
- (21) Appl. No.: **29/411,985**
- (22) Filed: **Jan. 27, 2012**
- (51) **LOC (9) Cl.** **13-03**
- (52) **U.S. Cl.**
USPC **D13/133; D13/137.1**
- (58) **Field of Classification Search**
USPC D13/133, 149, 151, 153, 154, 156,
D13/199; 439/79, 248, 258, 274, 35, 352,
439/353, 358, 359, 362, 378, 445, 447, 578,
439/584, 585, 656, 66, 676, 677, 678, 679,
439/68, 681, 682, 686
See application file for complete search history.

(56) **References Cited**

U.S. PATENT DOCUMENTS

5,145,380	A	9/1992	Holcomb et al.	
D375,292	S *	11/1996	D'Amato	D13/137.1
D462,056	S *	8/2002	Chung	D13/137.1
6,461,052	B1	10/2002	Hines et al.	
D549,650	S *	8/2007	Russell et al.	D13/137.2
D559,184	S *	1/2008	Russell et al.	D13/137.1
D562,766	S *	2/2008	Yang	D13/110
D564,964	S *	3/2008	Caine et al.	D13/137.1
D575,237	S *	8/2008	Shiga et al.	D13/151

D576,552	S *	9/2008	Caine et al.	D13/137.2
D660,235	S *	5/2012	Liang-Hsu et al.	D13/138.2
D677,629	S *	3/2013	Corona	D13/133
D678,200	S *	3/2013	Corona	D13/133
D678,202	S *	3/2013	Corona	D13/133
2008/0194137	A1 *	8/2008	Kuo	439/489

* cited by examiner

Primary Examiner — Thomas Johannes

(74) *Attorney, Agent, or Firm* — Tillman Wright, PLLC;
James D. Wright; David R. Higgins

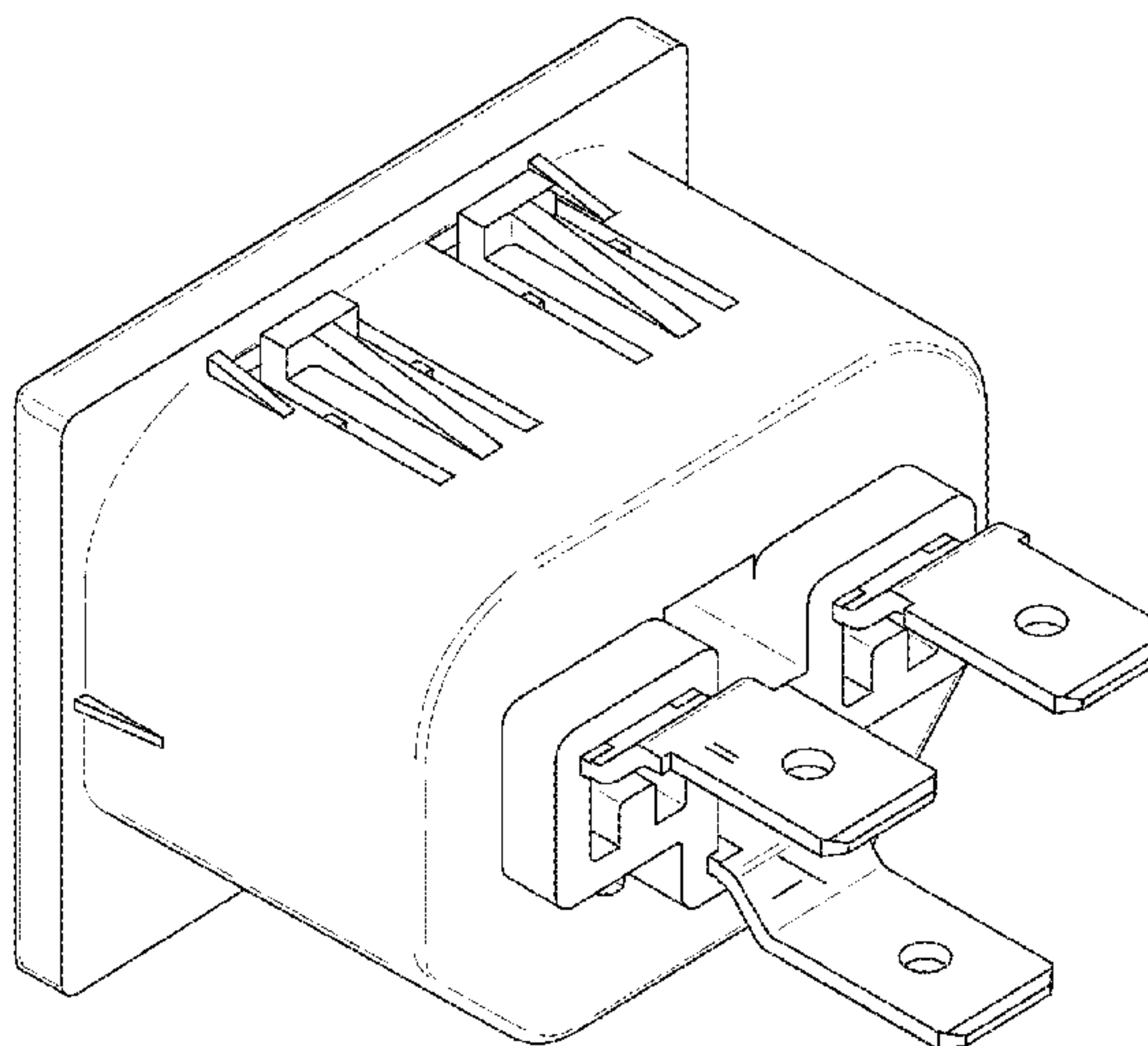
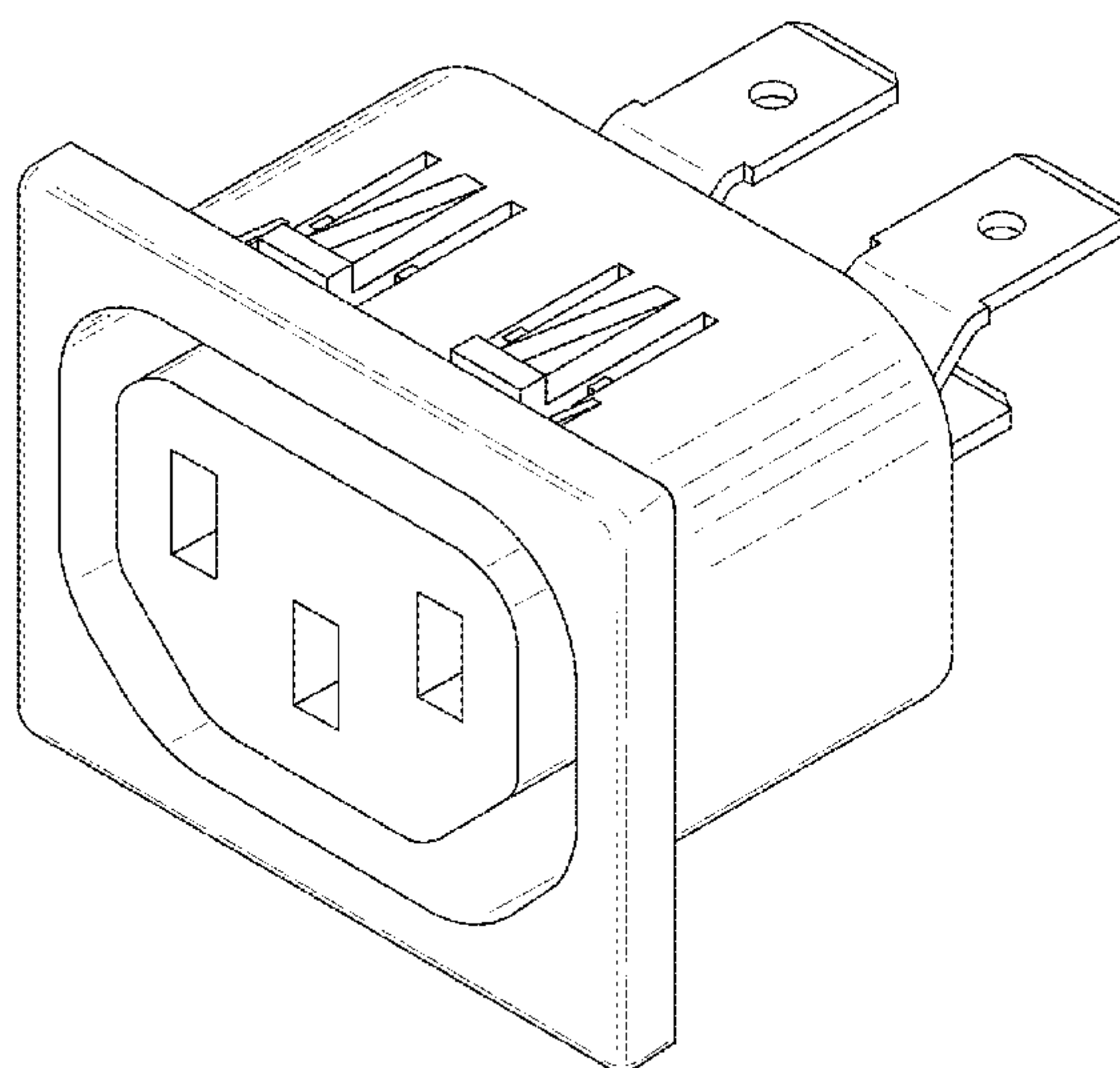
(57) **CLAIM**

The ornamental design for an electrical power coupler, as shown and described.

DESCRIPTION

FIG. 1 is a front isometric view of the design for an electrical power coupler in accordance with the present invention;
 FIG. 2 is a front view thereof;
 FIG. 3 is a rear view thereof;
 FIG. 4 is a top view thereof;
 FIG. 5 is a bottom view thereof;
 FIG. 6 is a left side view thereof;
 FIG. 7 is a right side view thereof; and,
 FIG. 8 is a rear isometric view thereof.
 The broken line portion of the figure drawings is included to show unclaimed subject matter only and forms no part of the claimed design.

1 Claim, 5 Drawing Sheets



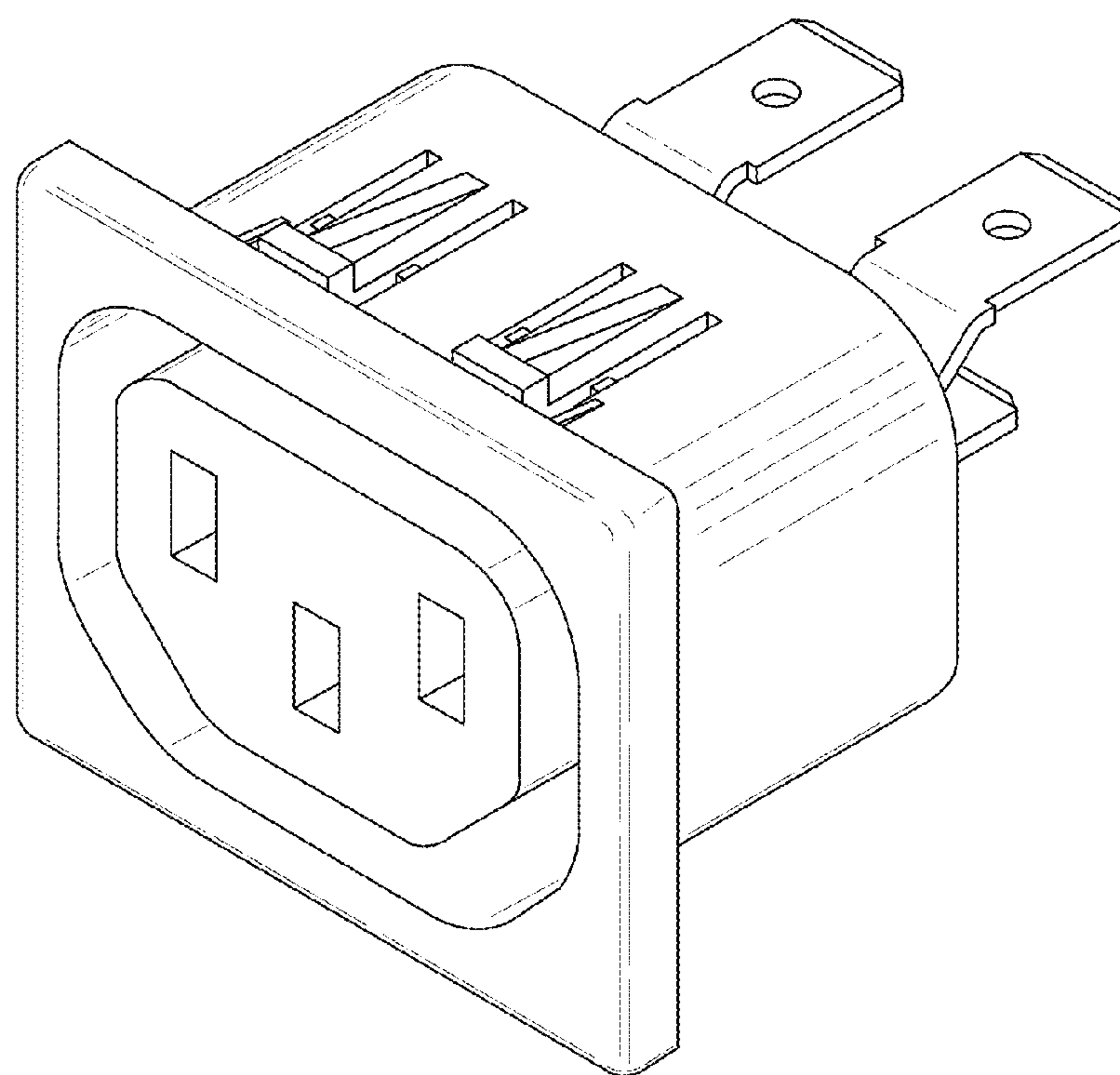


FIG. 1

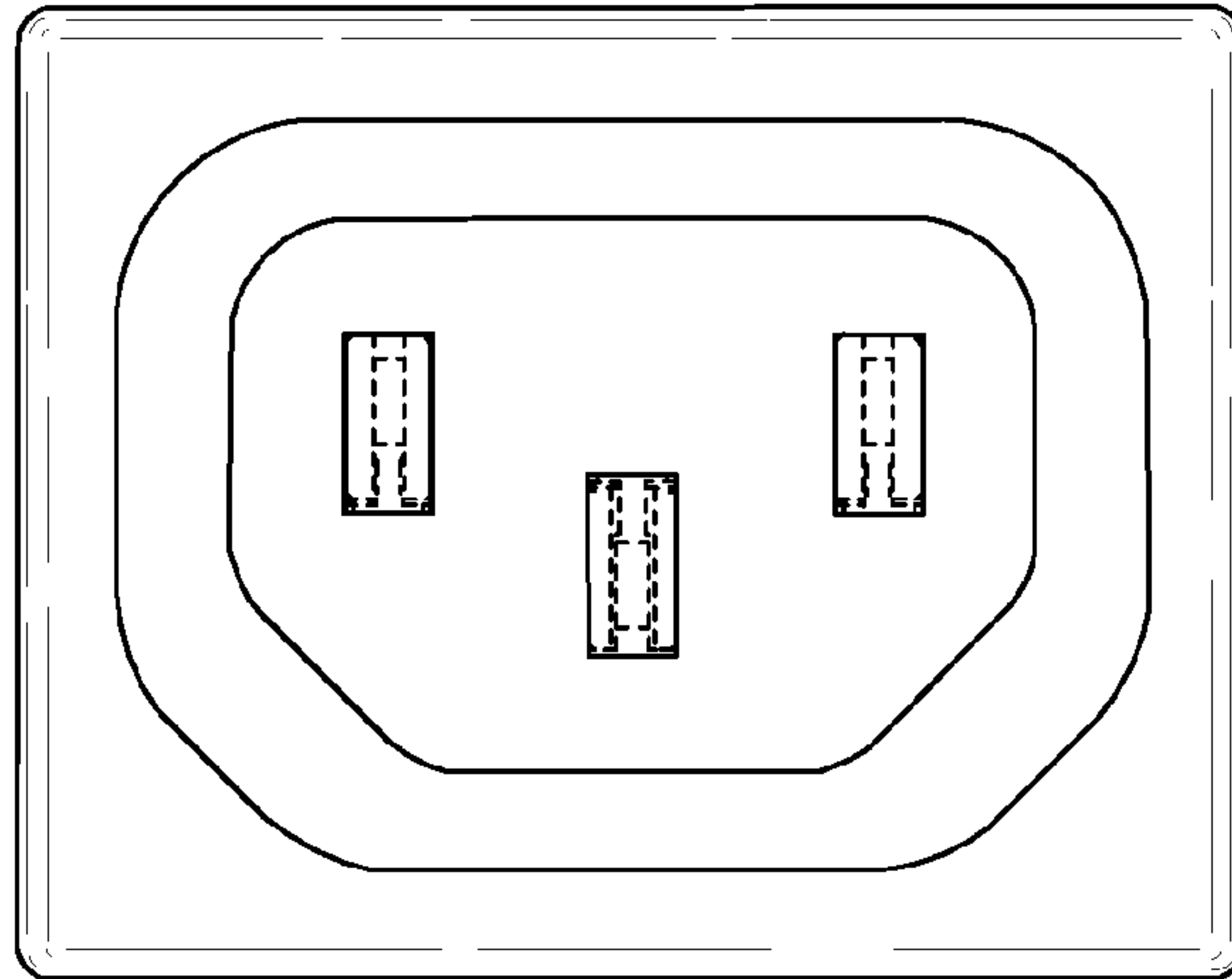


FIG. 2

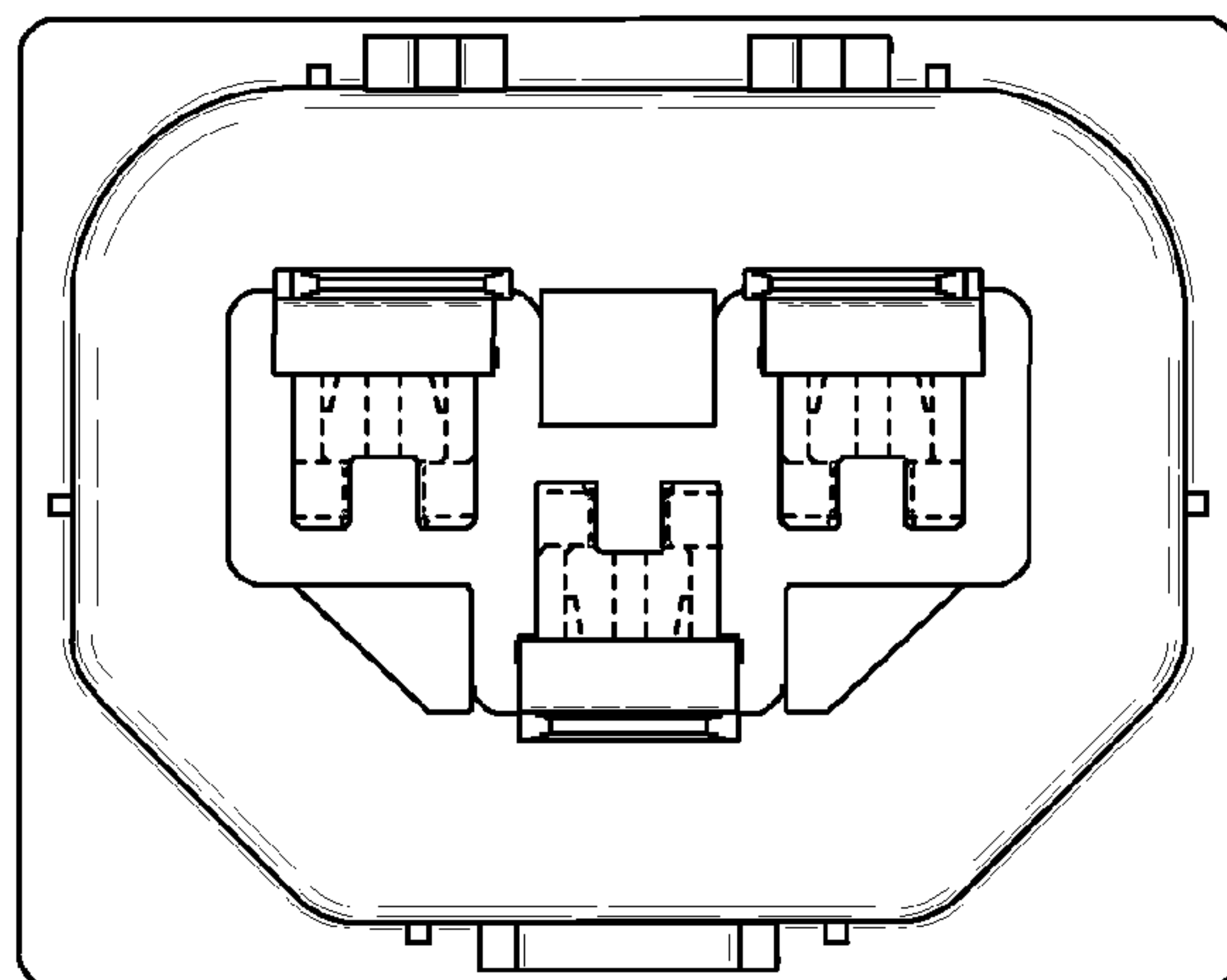


FIG. 3

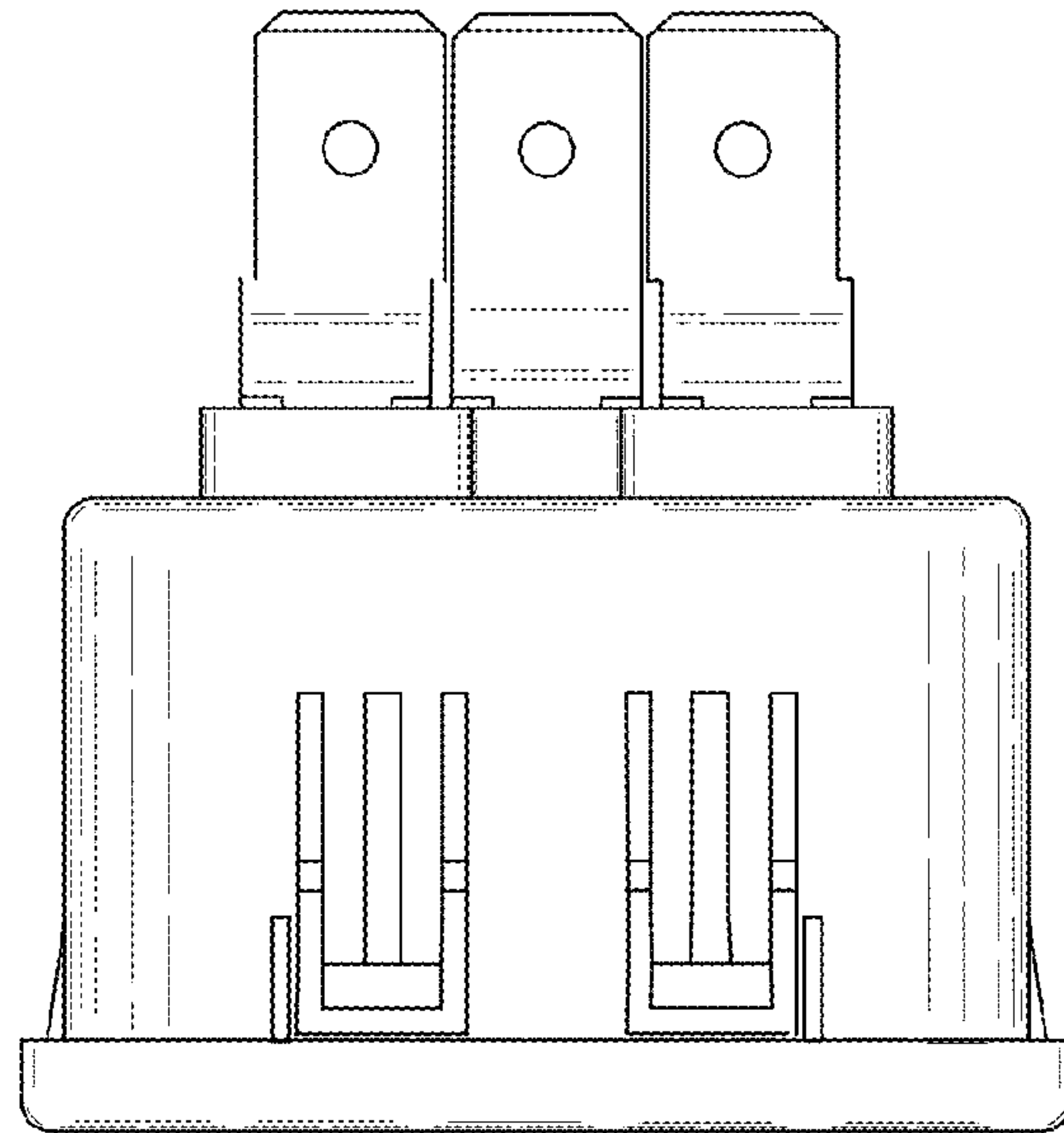


FIG. 4

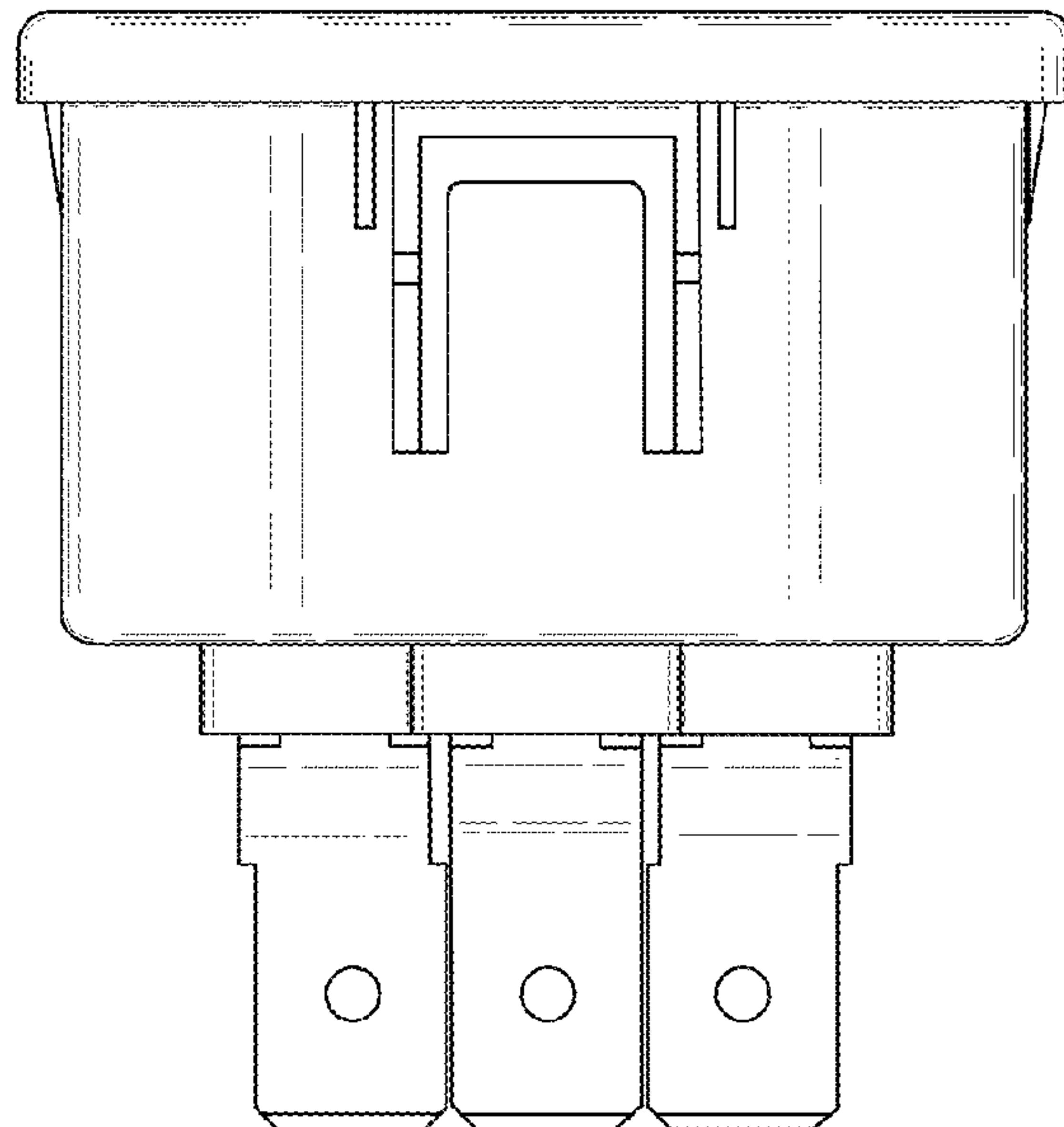


FIG. 5

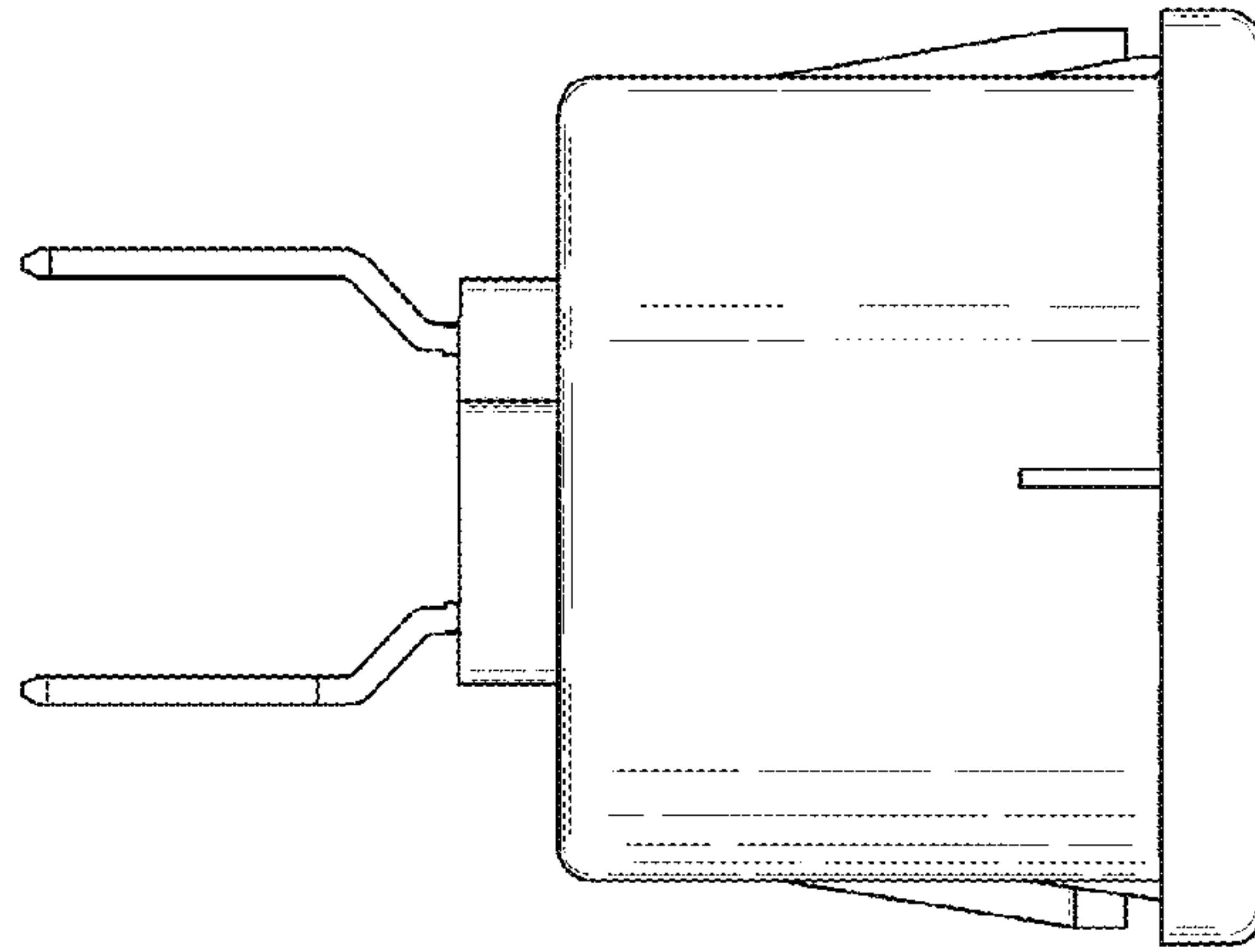


FIG. 6

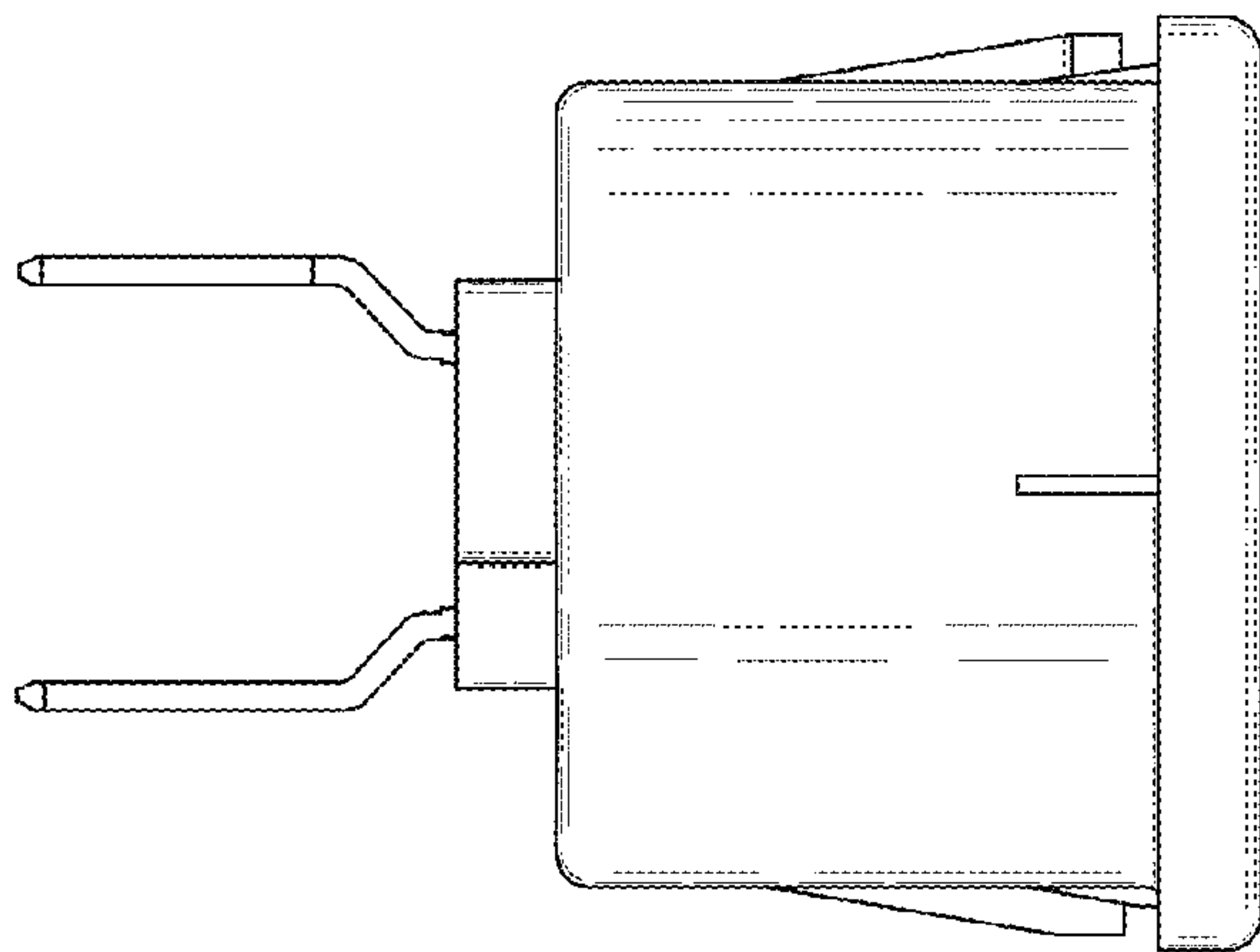


FIG. 7

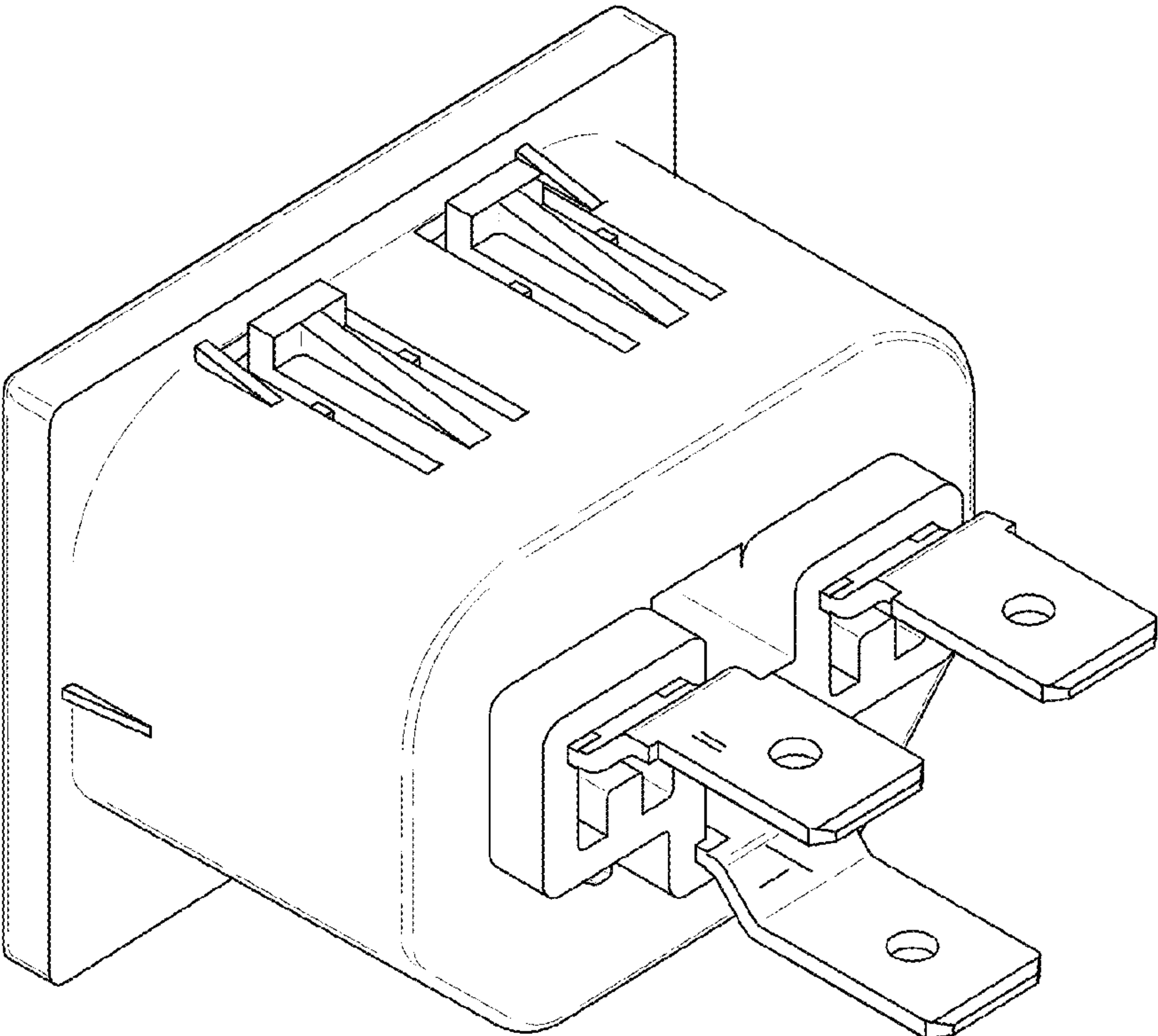


FIG. 8