



US00D687775S

(12) **United States Design Patent**  
**McGuire et al.**

(10) **Patent No.:** **US D687,775 S**  
(45) **Date of Patent:** **\*\* Aug. 13, 2013**

(54) **POWER SUPPLY FOR A TATTOO MACHINE**

(71) Applicant: **Eikon Device Inc.**, Kingston (CA)  
(72) Inventors: **Mike McGuire**, Ottawa (CA); **Roy Eng**,  
Ottawa (CA); **Mett Herlihey**, Ottawa  
(CA)  
(73) Assignee: **Eikon Device Inc.**, Kingston (CA)

(\*\*) Term: **14 Years**

(21) Appl. No.: **29/438,983**

(22) Filed: **Dec. 5, 2012**

(30) **Foreign Application Priority Data**

Jun. 7, 2012 (CA) ..... 146042

(51) **LOC (9) Cl.** ..... **13-02**

(52) **U.S. Cl.**  
USPC ..... **D13/110**

(58) **Field of Classification Search**  
USPC ..... D13/110, 101, 118, 123, 162, 164,  
D13/184, 199; D14/300, 301, 355; 307/150;  
361/601, 622, 695, 714, 724, 725, 726, 730,  
361/752, 753; 363/144; 439/76.1; 340/693.5,  
340/693.12; D24/133, 146  
See application file for complete search history.

(56) **References Cited**

**U.S. PATENT DOCUMENTS**

5,019,767 A \* 5/1991 Shirai et al. .... 320/112  
D355,887 S \* 2/1995 Rodeffer et al. .... D13/110  
D454,110 S \* 3/2002 Andre et al. .... D13/110

D463,363 S \* 9/2002 Veino et al. .... D13/110  
D484,853 S \* 1/2004 Alviar ..... D13/110  
D544,834 S \* 6/2007 Weinstein ..... D13/110  
D568,814 S \* 5/2008 Hung ..... D13/123  
D575,730 S \* 8/2008 Hung ..... D13/110  
D616,815 S \* 6/2010 Jadraque Aznarez  
et al. .... D13/110  
D631,960 S \* 2/2011 Myers ..... D24/133  
D637,163 S \* 5/2011 Rubino, Jr. .... D13/164  
D660,798 S \* 5/2012 Tseng ..... D13/110  
D665,348 S \* 8/2012 Ledbetter et al. .... D13/110  
D667,788 S \* 9/2012 Mai ..... D13/110

\* cited by examiner

*Primary Examiner* — Derrick Holland

(74) *Attorney, Agent, or Firm* — Fox Rothschild LLP

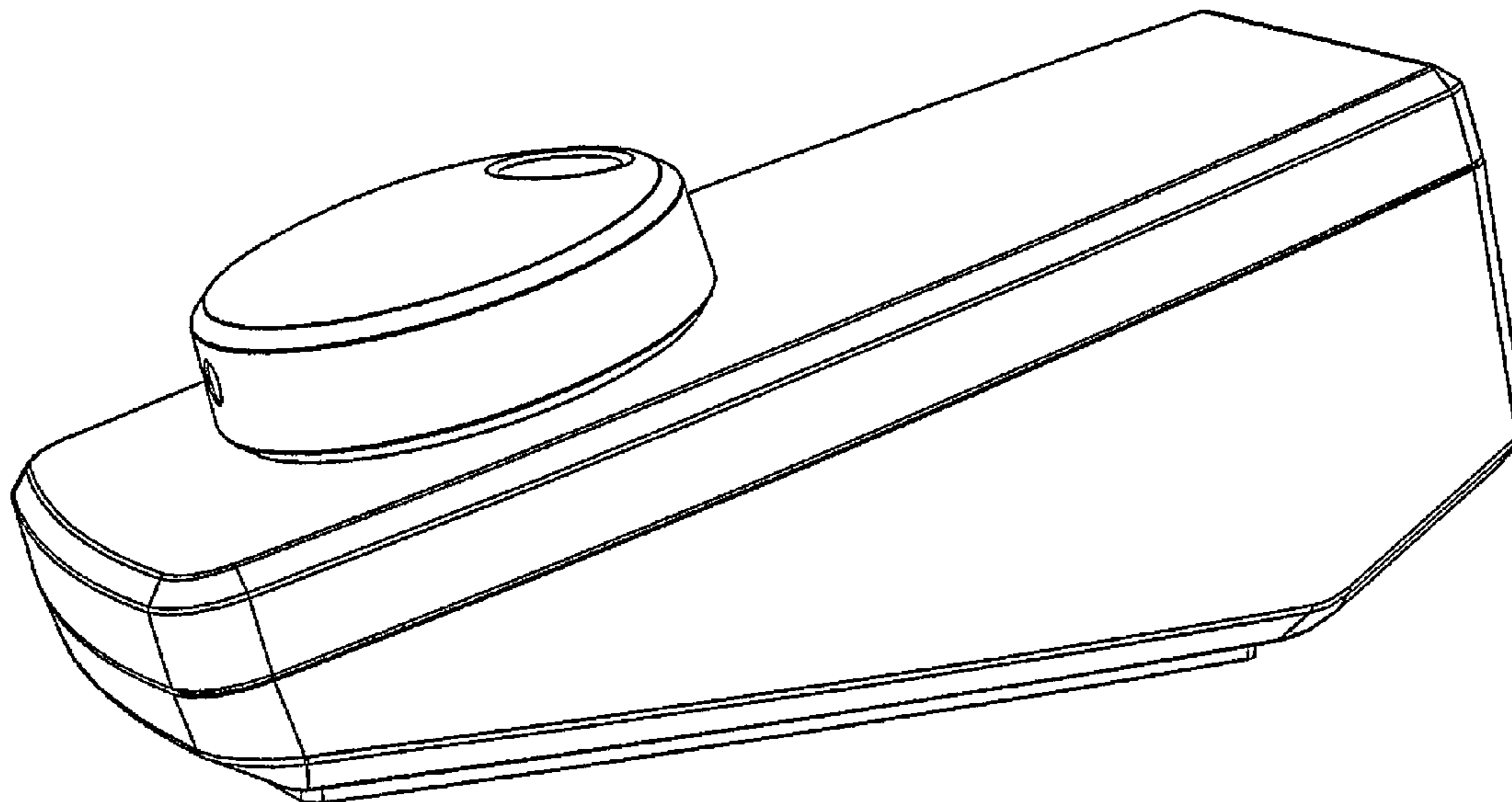
(57) **CLAIM**

The ornamental design for a power supply for a tattoo machine, as shown.

**DESCRIPTION**

FIG. 1 is a side perspective view of a power supply for a tattoo machine according to the present design;  
FIG. 2 is a rear perspective view of the power supply for a tattoo machine;  
FIG. 3 is a bottom perspective view of the power supply for a tattoo machine;  
FIG. 4 is a side view of the power supply for a tattoo machine;  
FIG. 5 is a top view of the power supply for a tattoo machine;  
FIG. 6 is a bottom view of the power supply for a tattoo machine;  
FIG. 7 is a front view of the power supply for a tattoo machine; and,  
FIG. 8 is a rear view of the power supply for a tattoo machine.

**1 Claim, 8 Drawing Sheets**



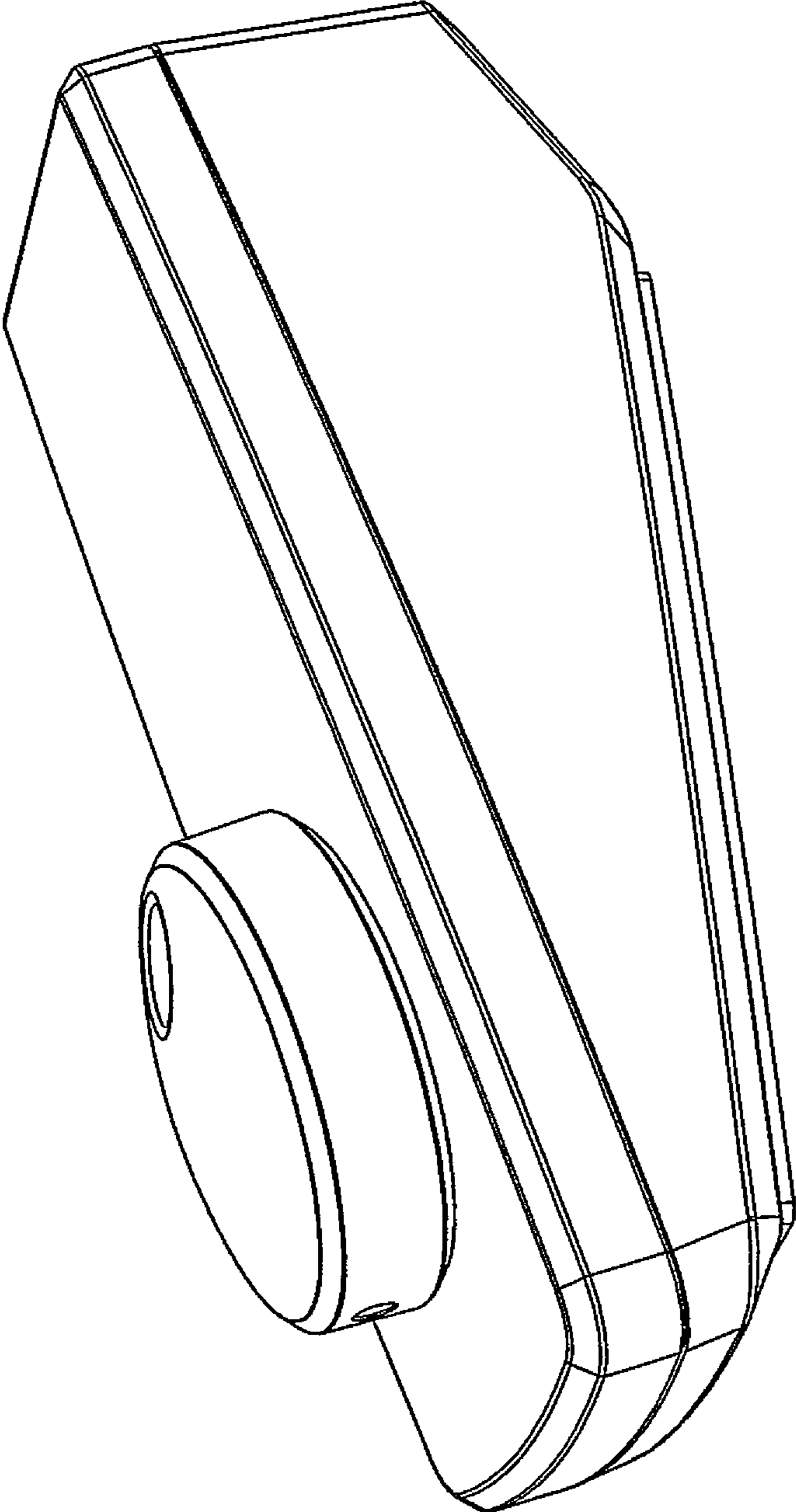


FIGURE 1

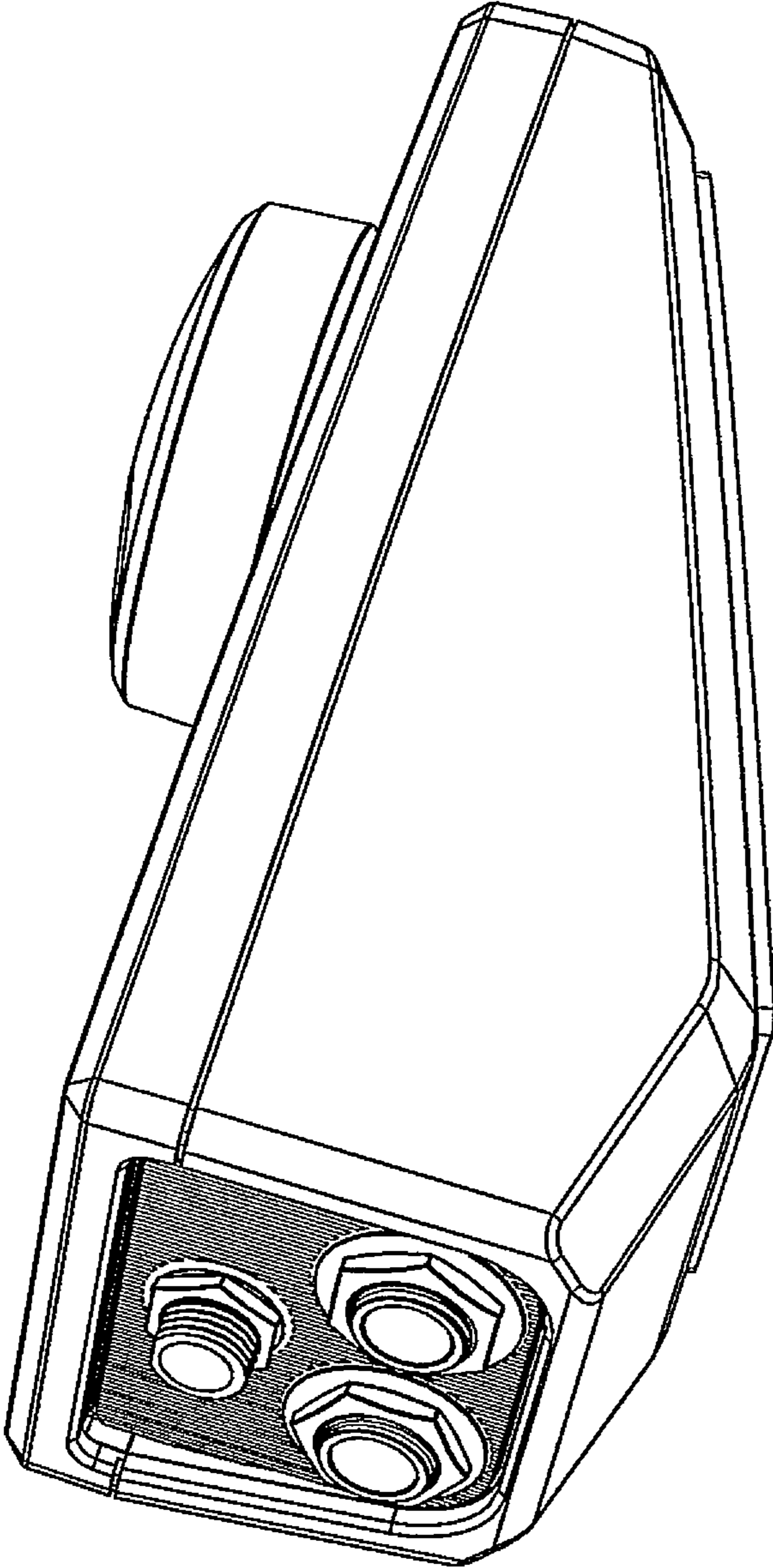


FIGURE 2

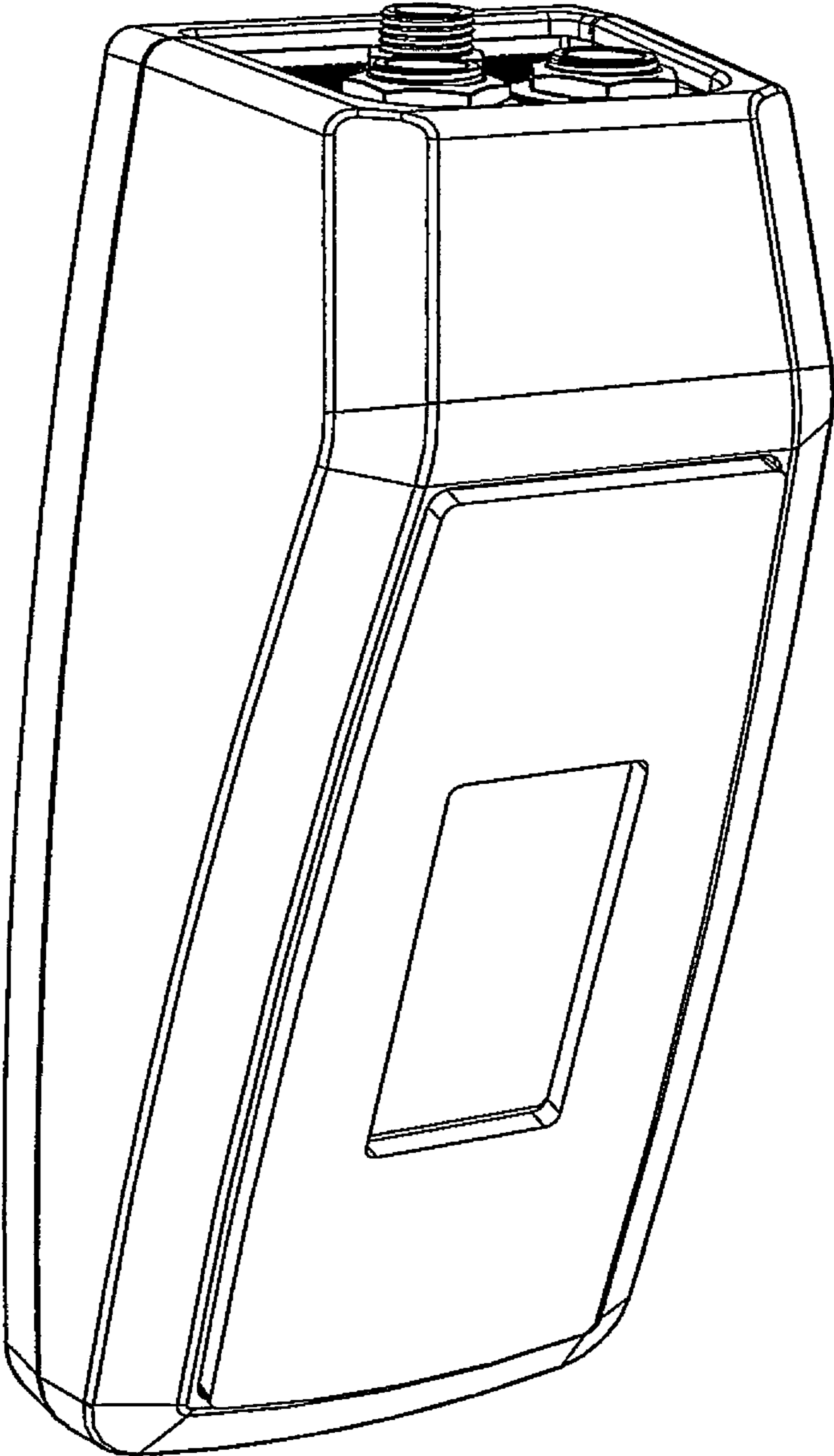


FIGURE 3

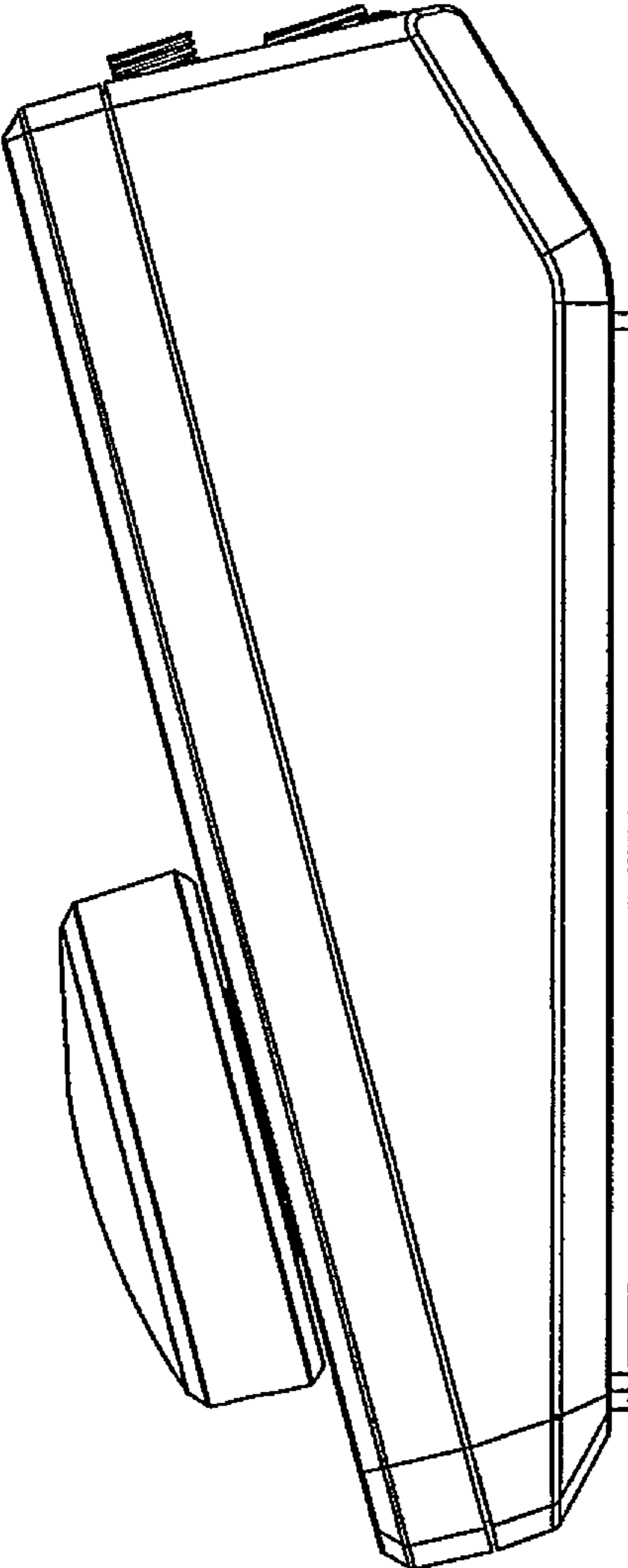


FIGURE 4

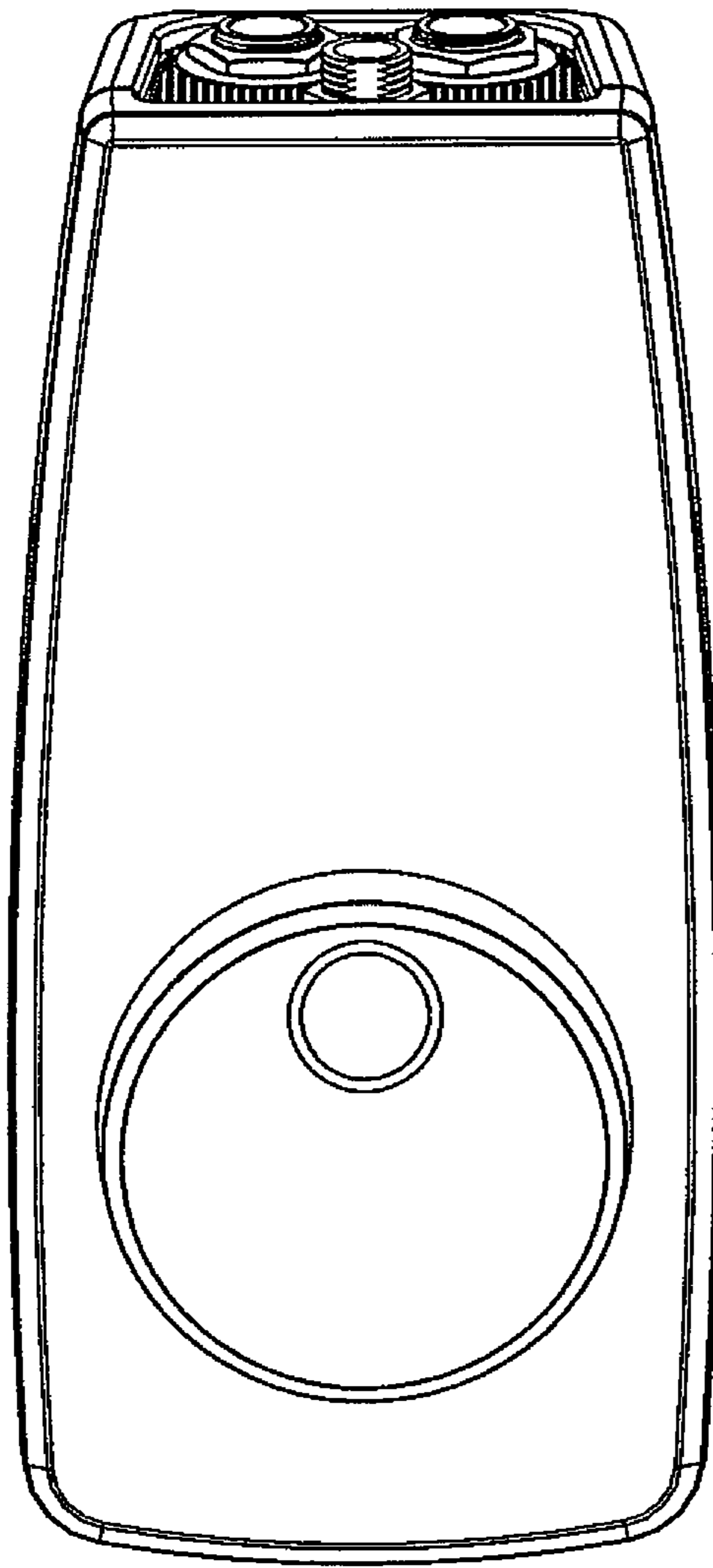


FIGURE 5

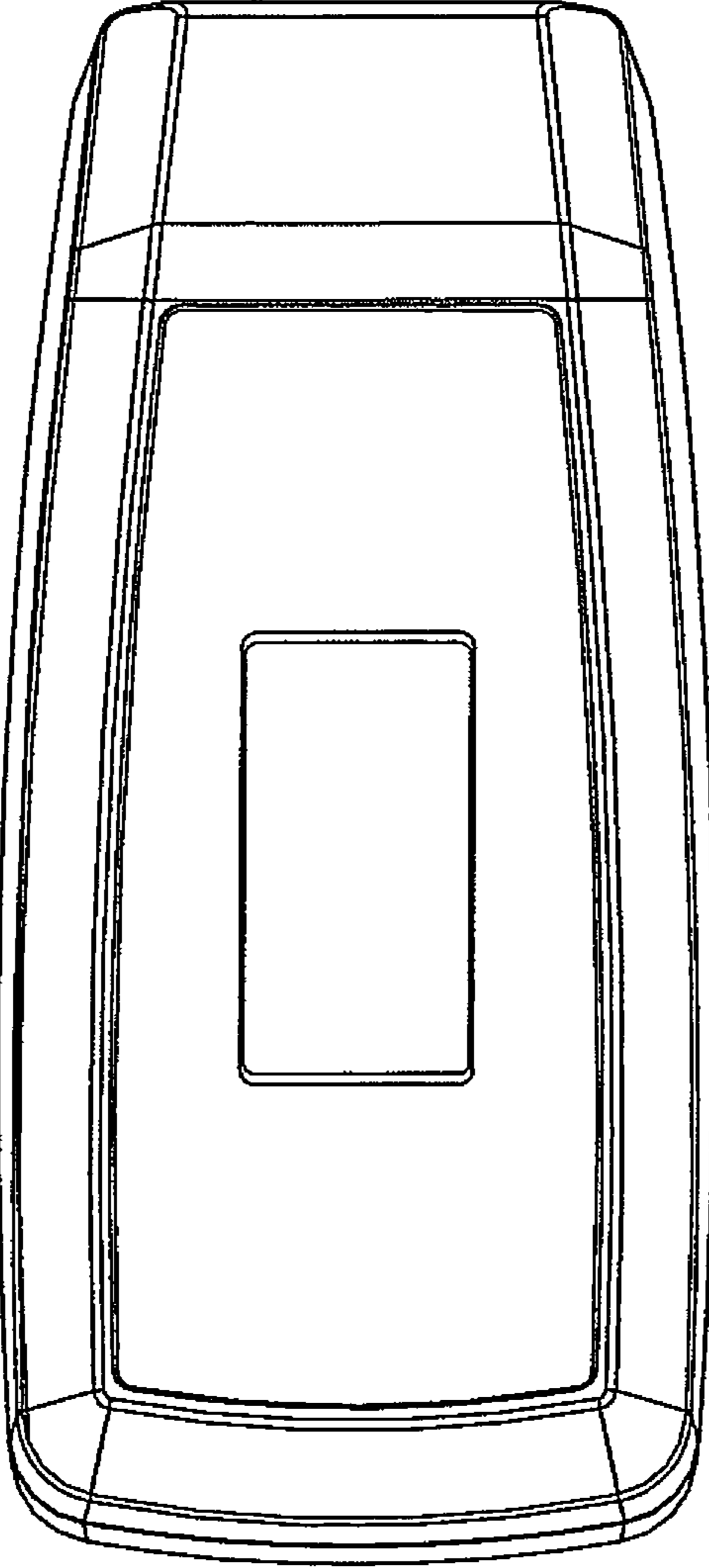


FIGURE 6

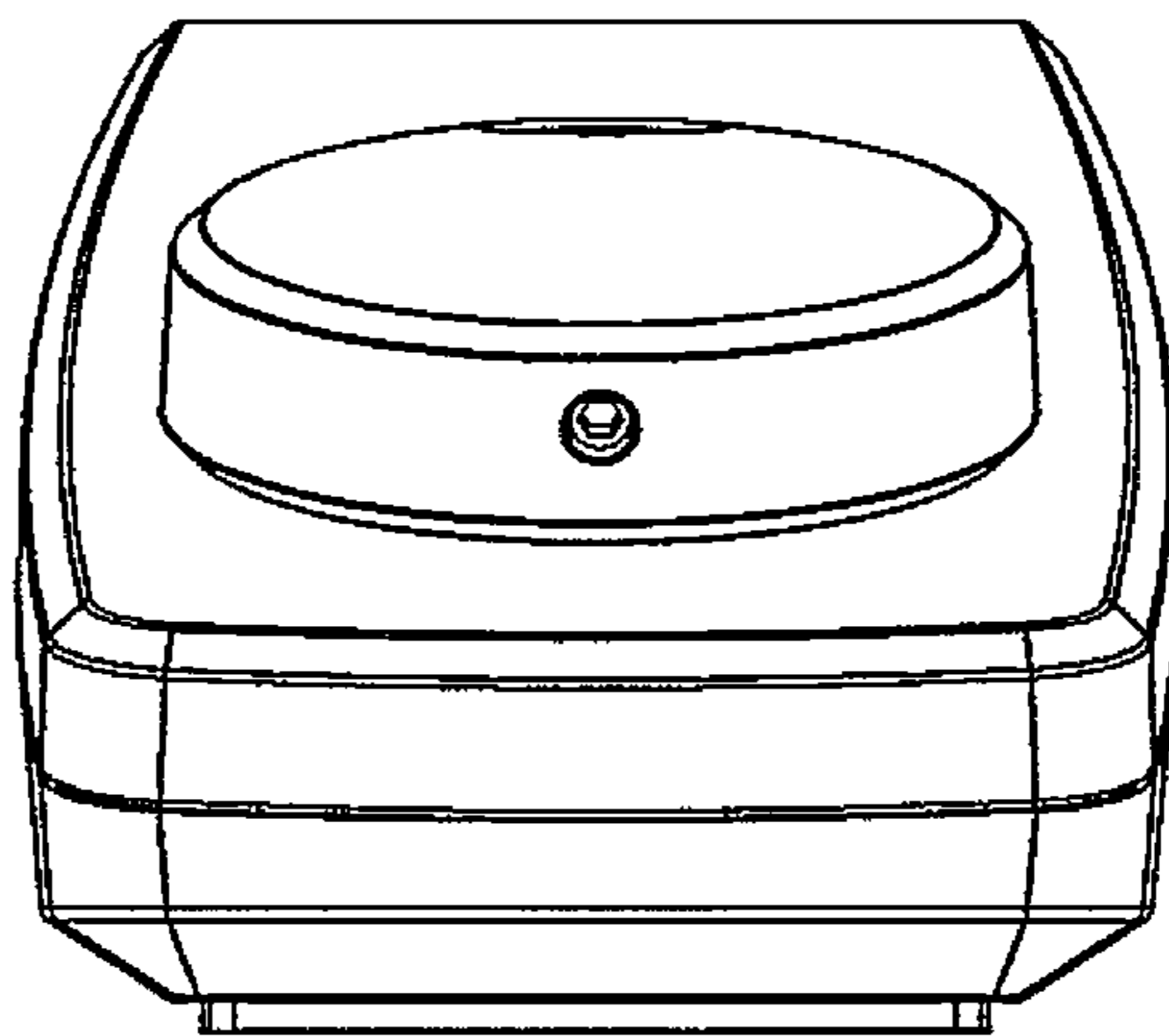


FIGURE 7



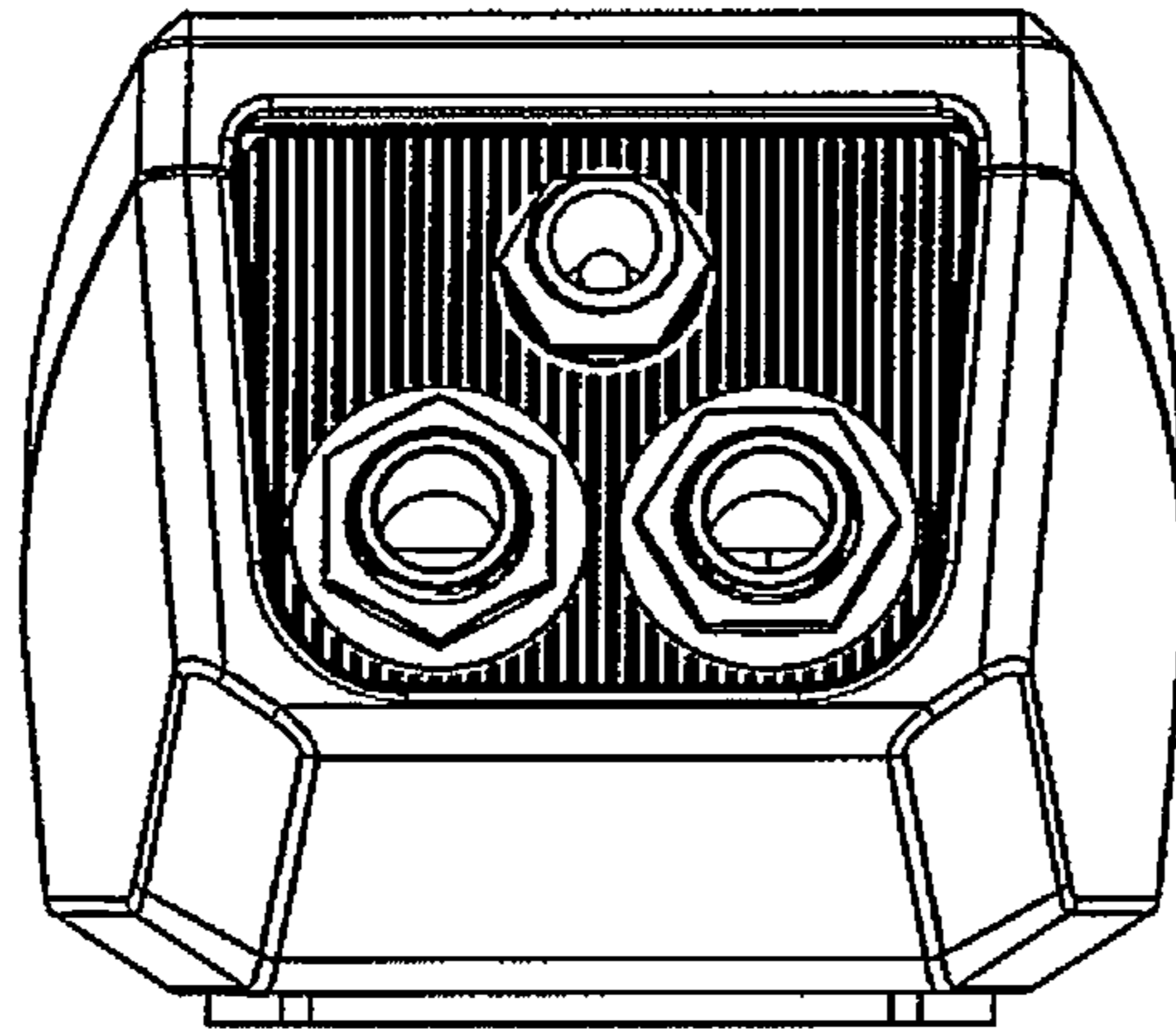


FIGURE 8