



US00D687774S

(12) **United States Design Patent**
Moore et al.

(10) **Patent No.:** **US D687,774 S**
(45) **Date of Patent:** **** Aug. 13, 2013**

(54) **CHARGING CART**

(75) Inventors: **Greg Moore**, Temple, TX (US); **Jairo Zhu**, Temple, TX (US); **Kristen Dixon**, Temple, TX (US); **Chris Eddy**, Temple, TX (US); **John Voltin**, Austin, TX (US)

(73) Assignee: **Mooreco, Inc.**, Temple, TX (US)

(**) Term: **14 Years**

(21) Appl. No.: **29/425,683**

(22) Filed: **Jun. 26, 2012**

(51) **LOC (9) Cl.** **13-02**

(52) **U.S. Cl.**
USPC **D13/109**

(58) **Field of Classification Search**
USPC D13/106–110, 118–119, 184, 199;
D15/9; 320/103–115; 312/249.1, 249.8,
312/249.11

See application file for complete search history.

(56) **References Cited**

U.S. PATENT DOCUMENTS

D129,408	S *	9/1941	Christie	D13/109
D163,645	S *	6/1951	Shuler et al.	D13/109
2,978,596	A *	4/1961	Robirds	307/151
D341,961	S *	12/1993	Howden	D6/448
5,281,020	A *	1/1994	Romick	312/308
5,424,588	A *	6/1995	Cantor et al.	307/154
5,673,983	A *	10/1997	Carlson et al.	312/218
6,008,621	A	12/1999	Madison et al.		
6,218,796	B1	4/2001	Kozlowski		
D462,320	S *	9/2002	Krieger et al.	D13/107
D475,680	S *	6/2003	Krieger et al.	D13/109
7,055,833	B2	6/2006	Wixted et al.		
D527,340	S *	8/2006	Christiani et al.	D13/107
7,160,113	B2 *	1/2007	McConnell et al.	434/365
7,325,891	B1	2/2008	Kinsley et al.		
7,595,995	B2	9/2009	Hock		

7,844,770	B2	11/2010	Petrick et al.		
8,190,806	B2	5/2012	Petrick et al.		
D668,221	S *	10/2012	McKune et al.	D13/110
D674,340	S *	1/2013	Wada	D13/109
2003/0141687	A1	7/2003	Wixted et al.		
2004/0139571	A1	7/2004	Chang et al.		
2005/0110461	A1	5/2005	McConnell et al.		
2009/0096336	A1	4/2009	Petrick et al.		

(Continued)

Primary Examiner — Rosemary K Tarcza

(74) *Attorney, Agent, or Firm* — Nath, Goldberg & Meyer; Jerald L. Meyer; Scott Langford

(57) **CLAIM**

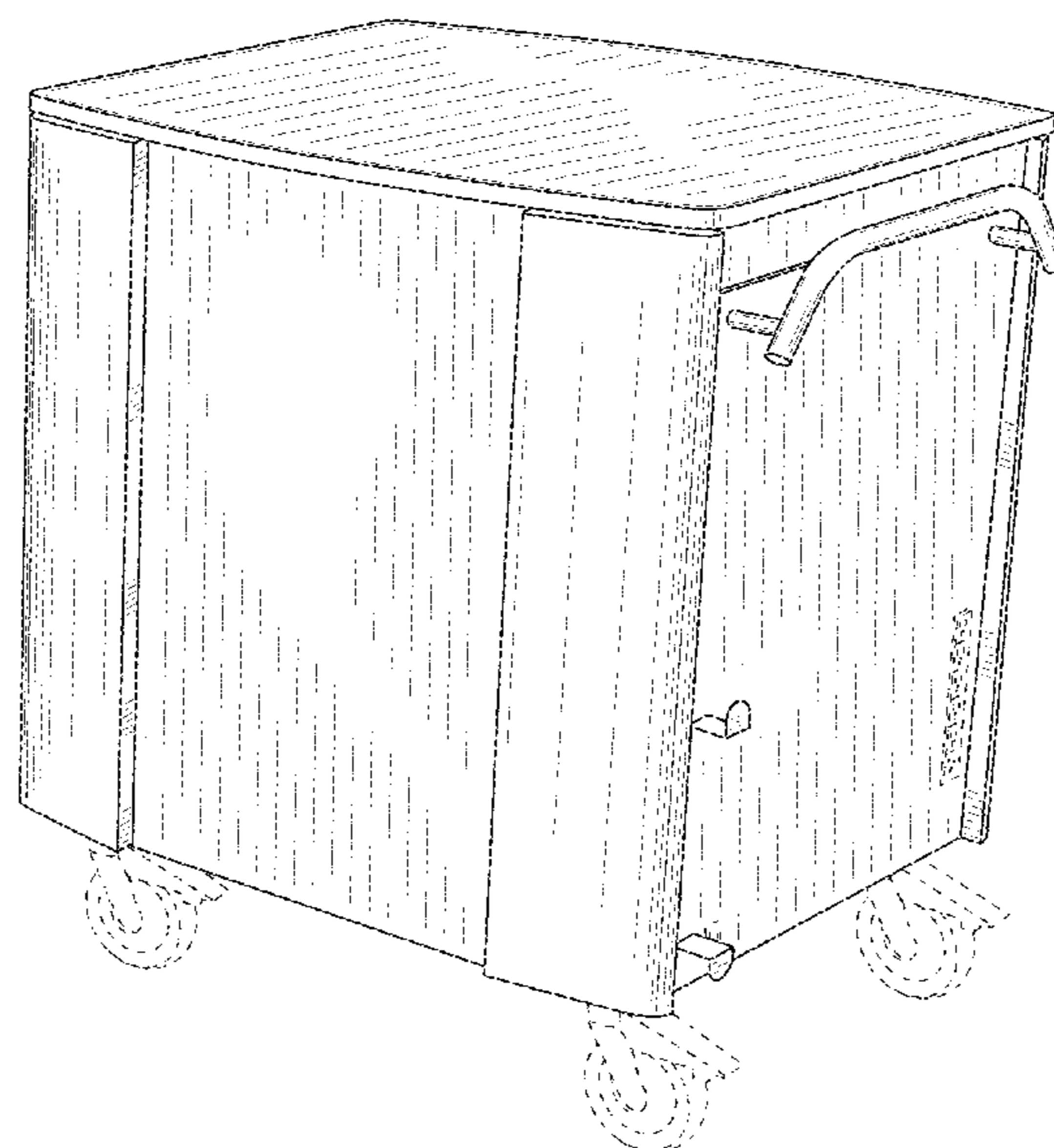
The ornamental design for a charging cart, as shown and described.

DESCRIPTION

FIG. 1 is a perspective view of the charging cart design with the lid in a closed position;
 FIG. 2 is a front view of the charging cart design;
 FIG. 3 is a rear view of the charging cart design;
 FIG. 4 is a left side view of the charging cart design;
 FIG. 5 is a right side of the charging cart design;
 FIG. 6 is an top view of the charging cart design with the lid in a closed position;
 FIG. 7 is a perspective view of the charging cart design with the lid in an open position;
 FIG. 8 is a left side view of the charging cart design with the lid in an open position;
 FIG. 9 is a right side view of the charging cart design with the lid in an open position; and,
 FIG. 10 is a top view of the charging cart design with the lid in an open position.

Broken lines in the figures are used to depict structure that is not part of the claimed design, but is considered necessary to show the environment in which the design is associated.

1 Claim, 10 Drawing Sheets



US D687,774 S

Page 2

(56)

References Cited

U.S. PATENT DOCUMENTS

2009/0230919 A1* 9/2009 Nethken 320/115
2011/0035525 A1 2/2011 Petrick et al.

2011/0084583 A1 4/2011 Petrick et al.
2011/0193524 A1* 8/2011 Hazzard et al. 320/114
2011/0309591 A1 12/2011 Petrick et al.

* cited by examiner

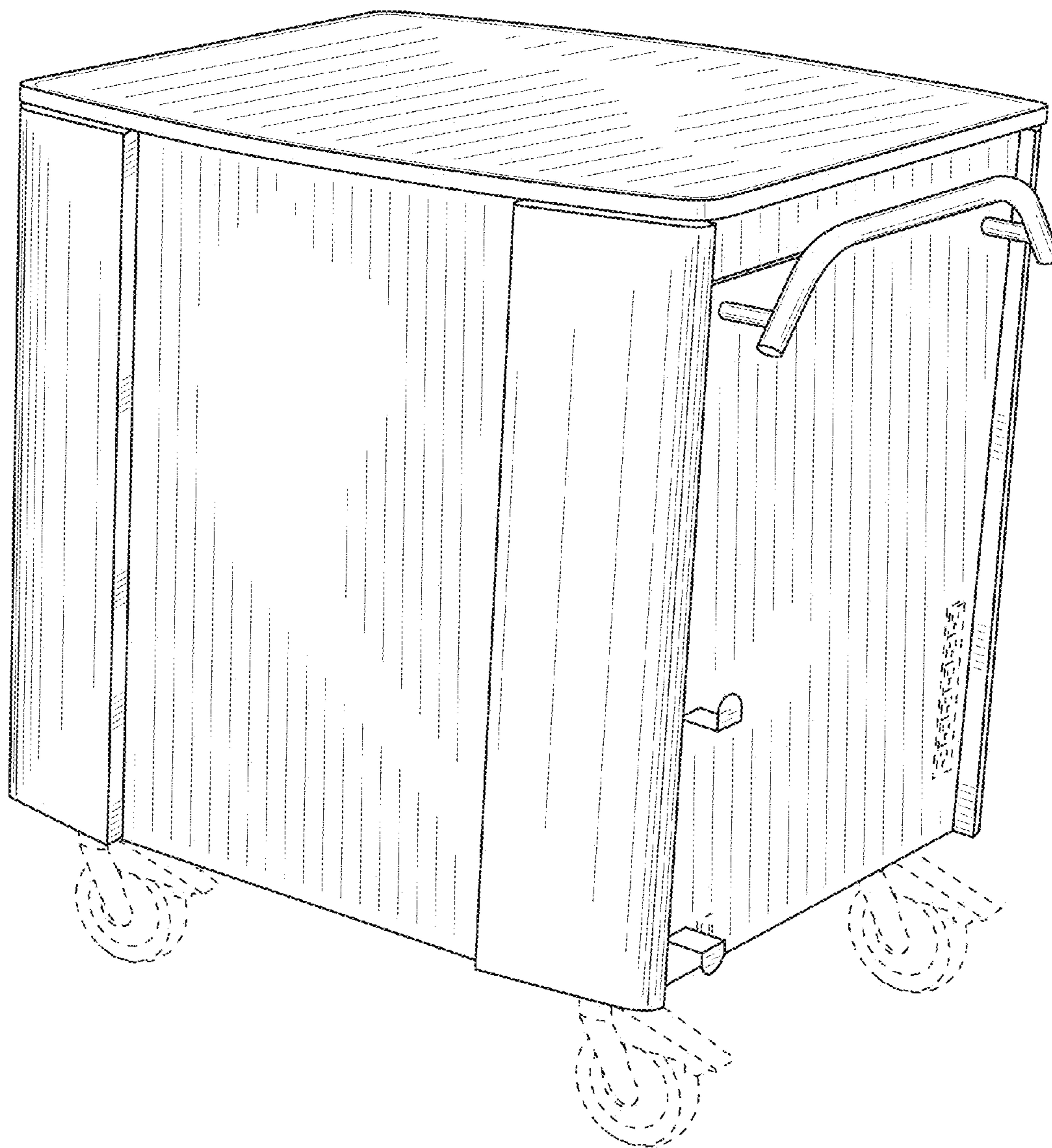


FIG. 1

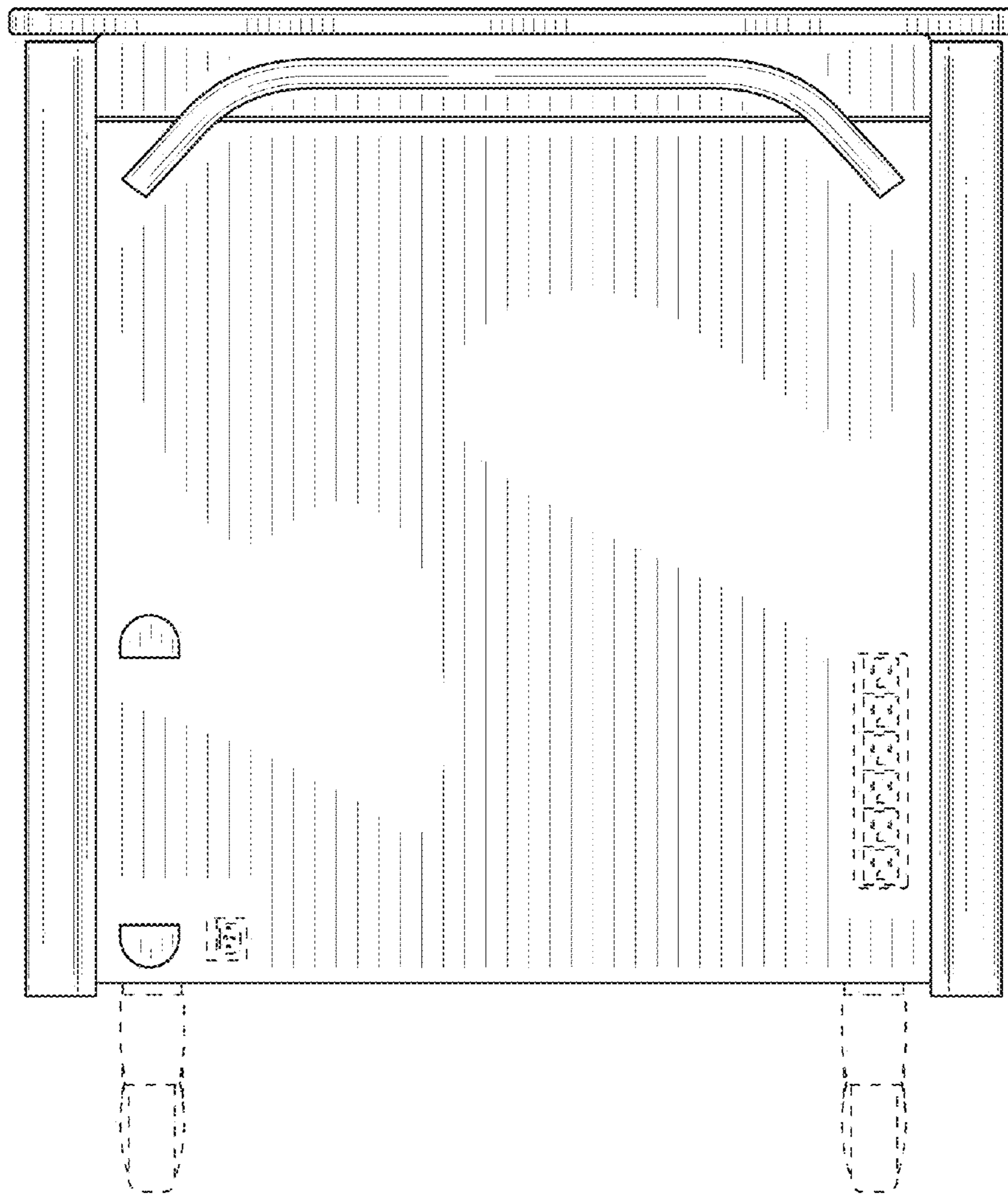


FIG. 2

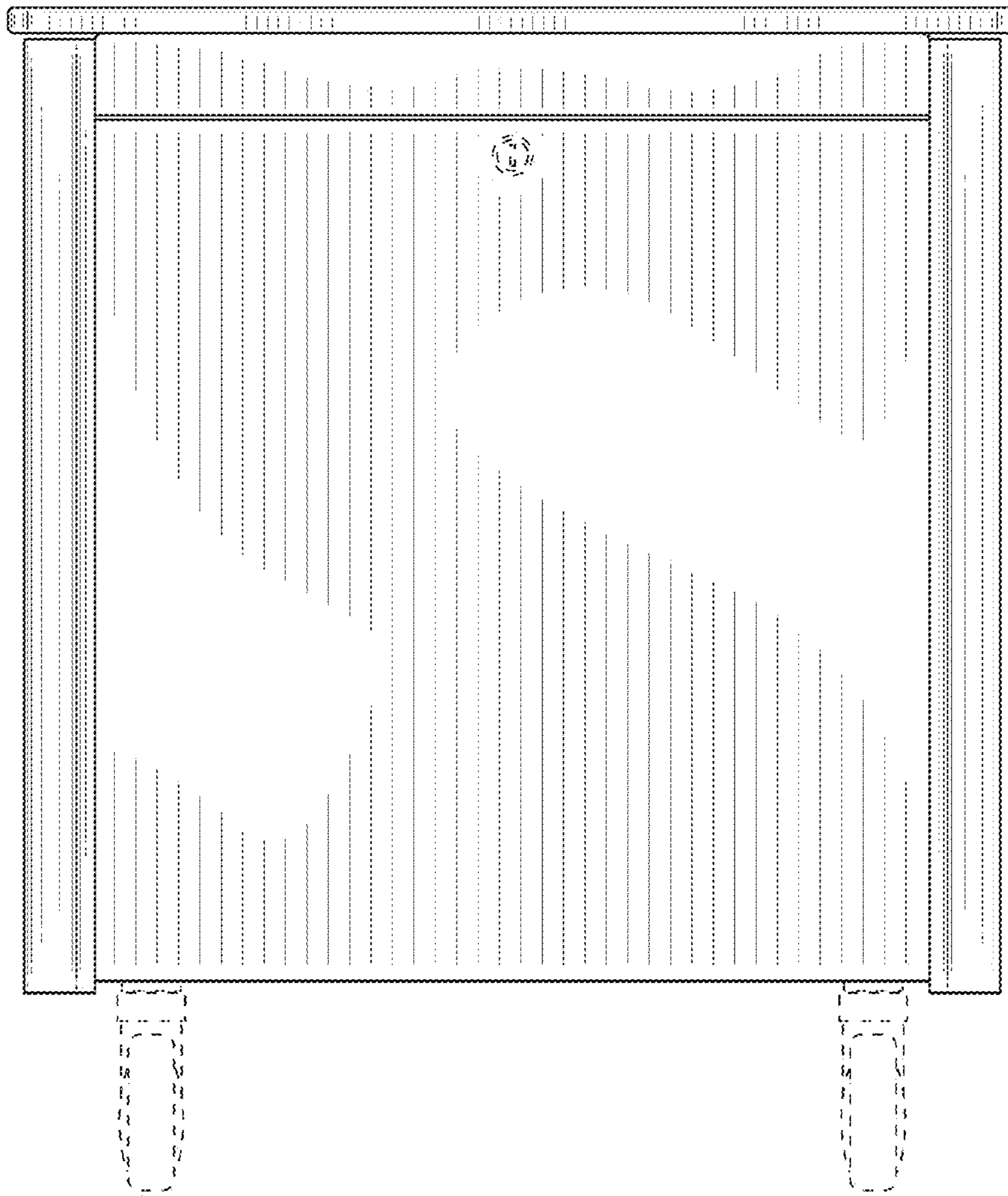


FIG. 3

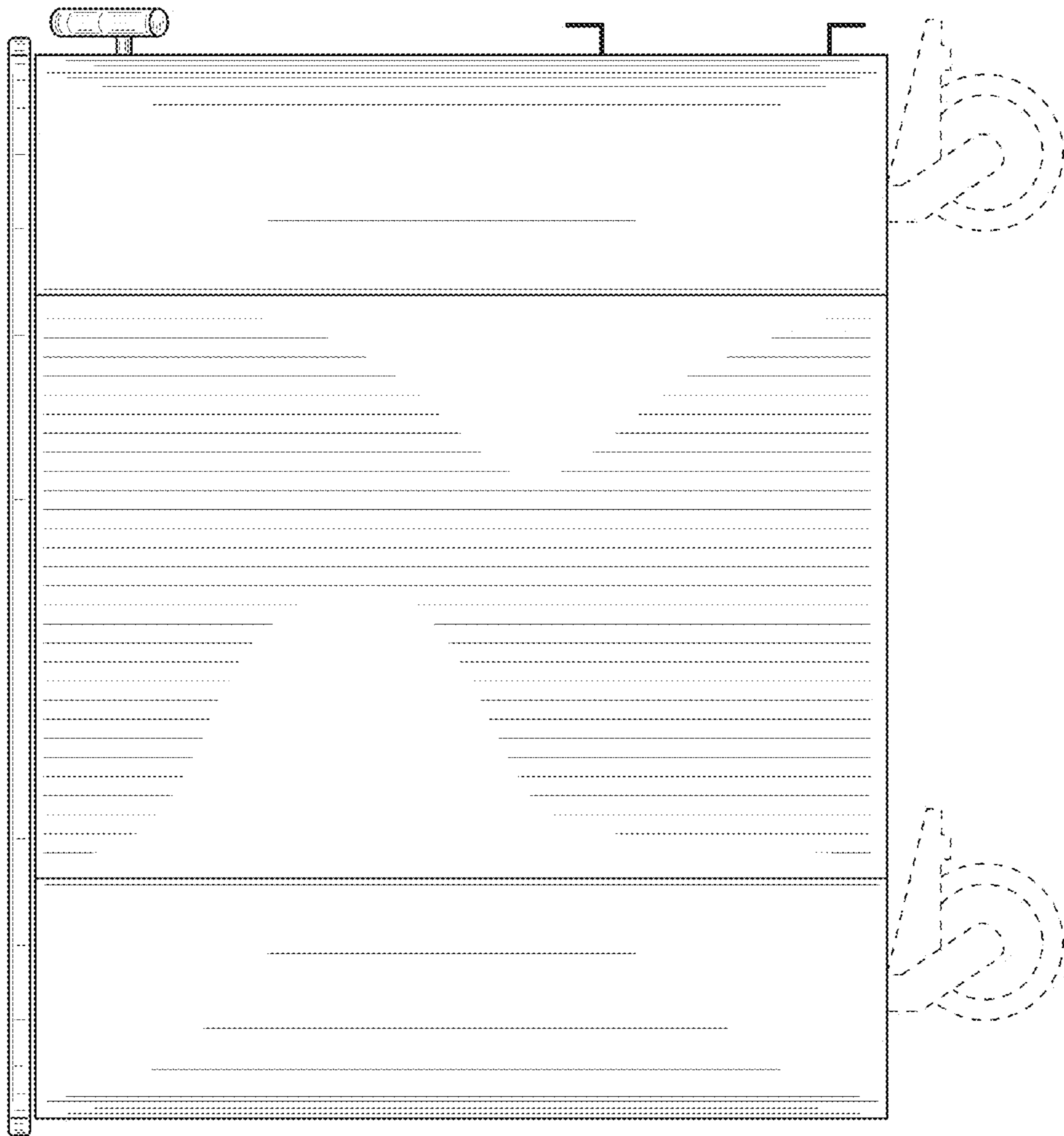


FIG. 4

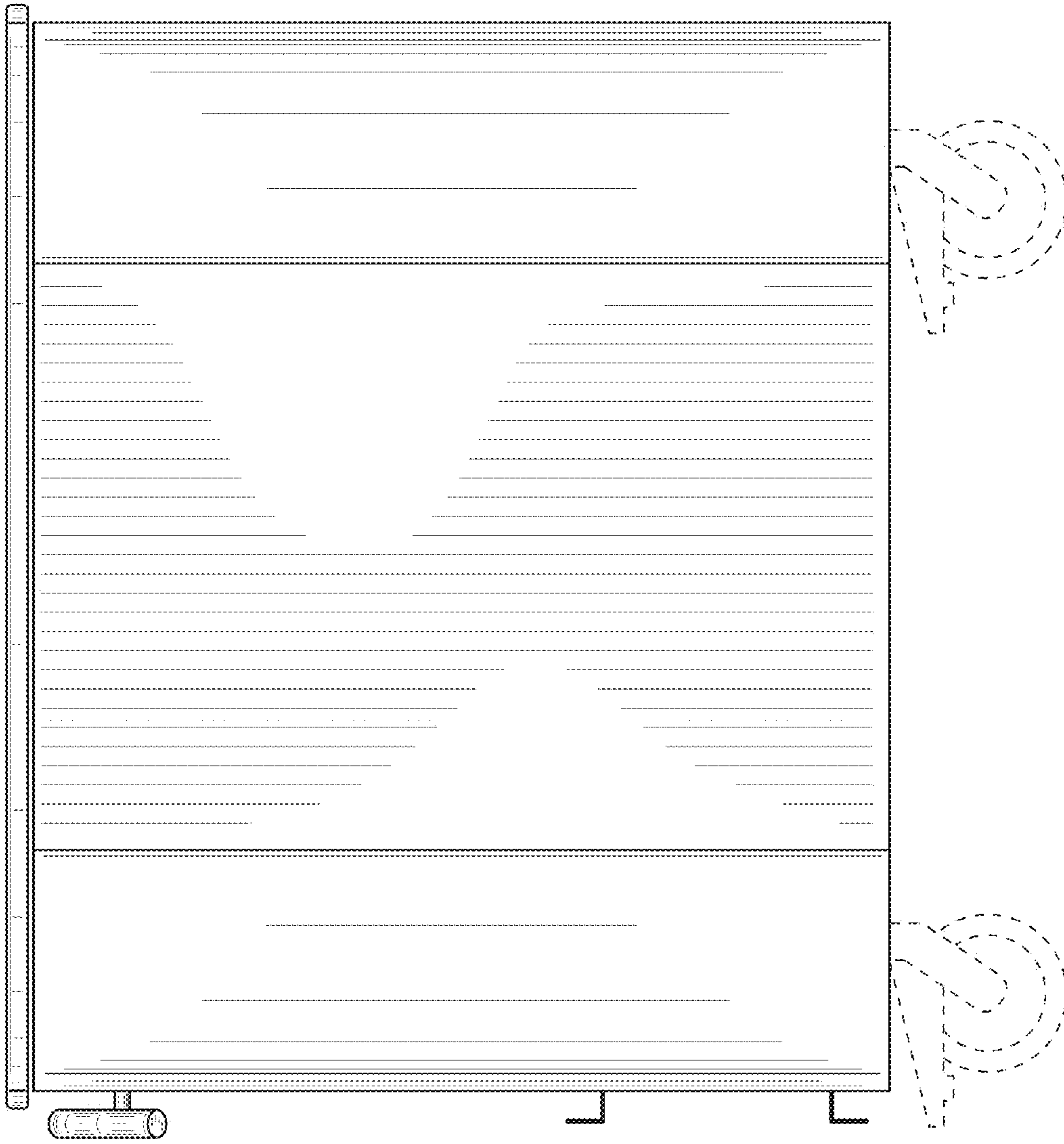


FIG. 5

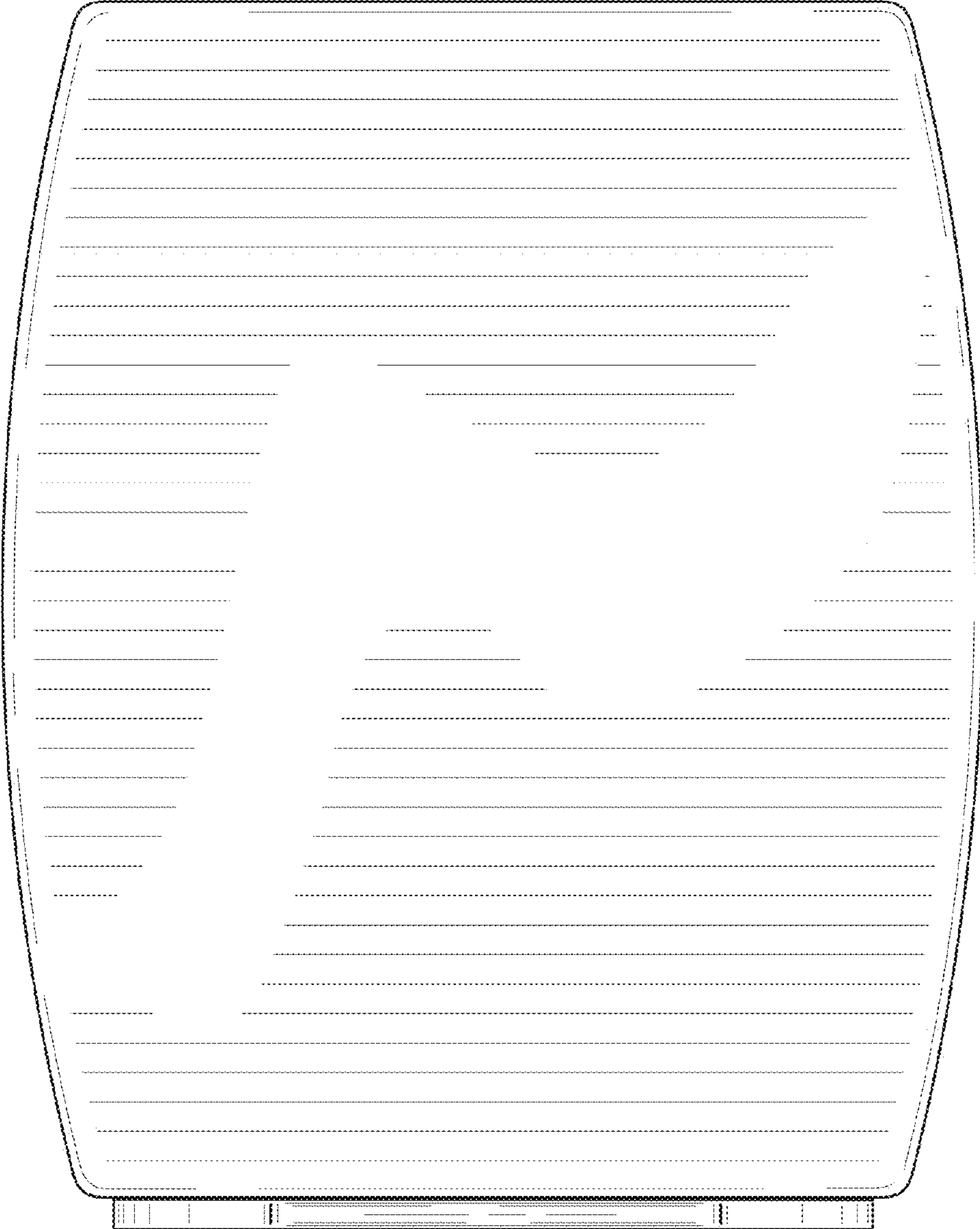


FIG. 6

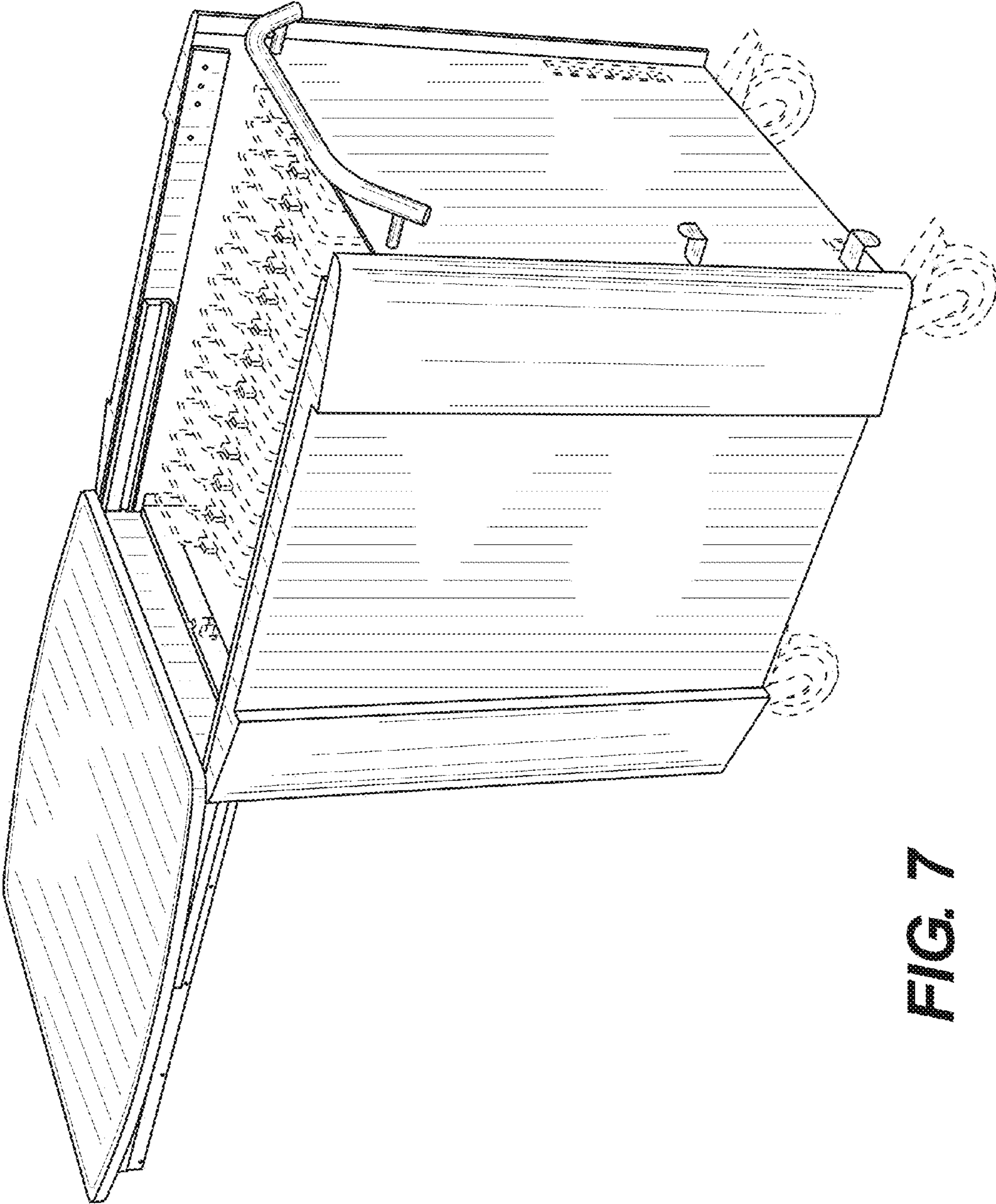


FIG. 7

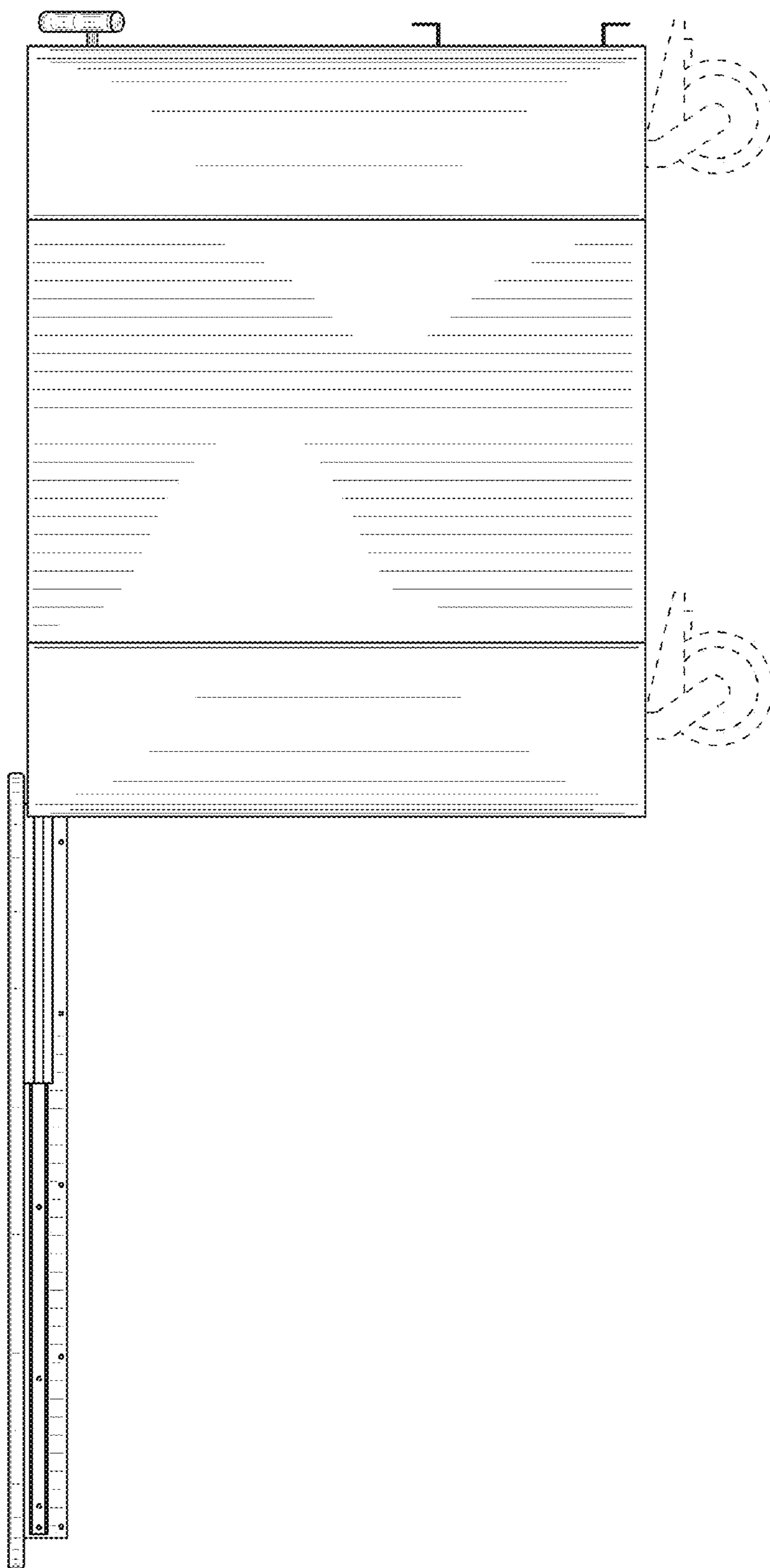


FIG. 8

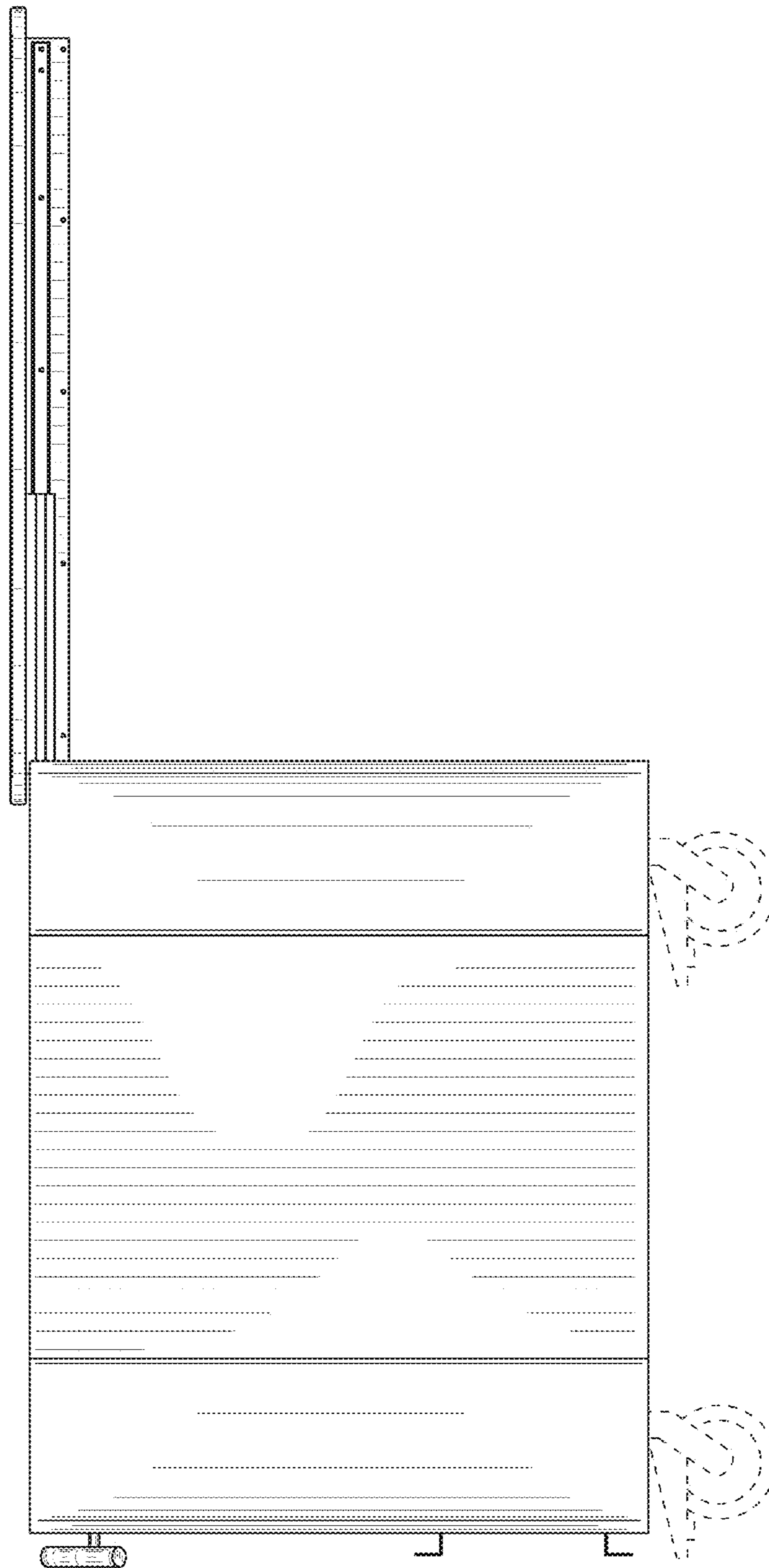


FIG. 9

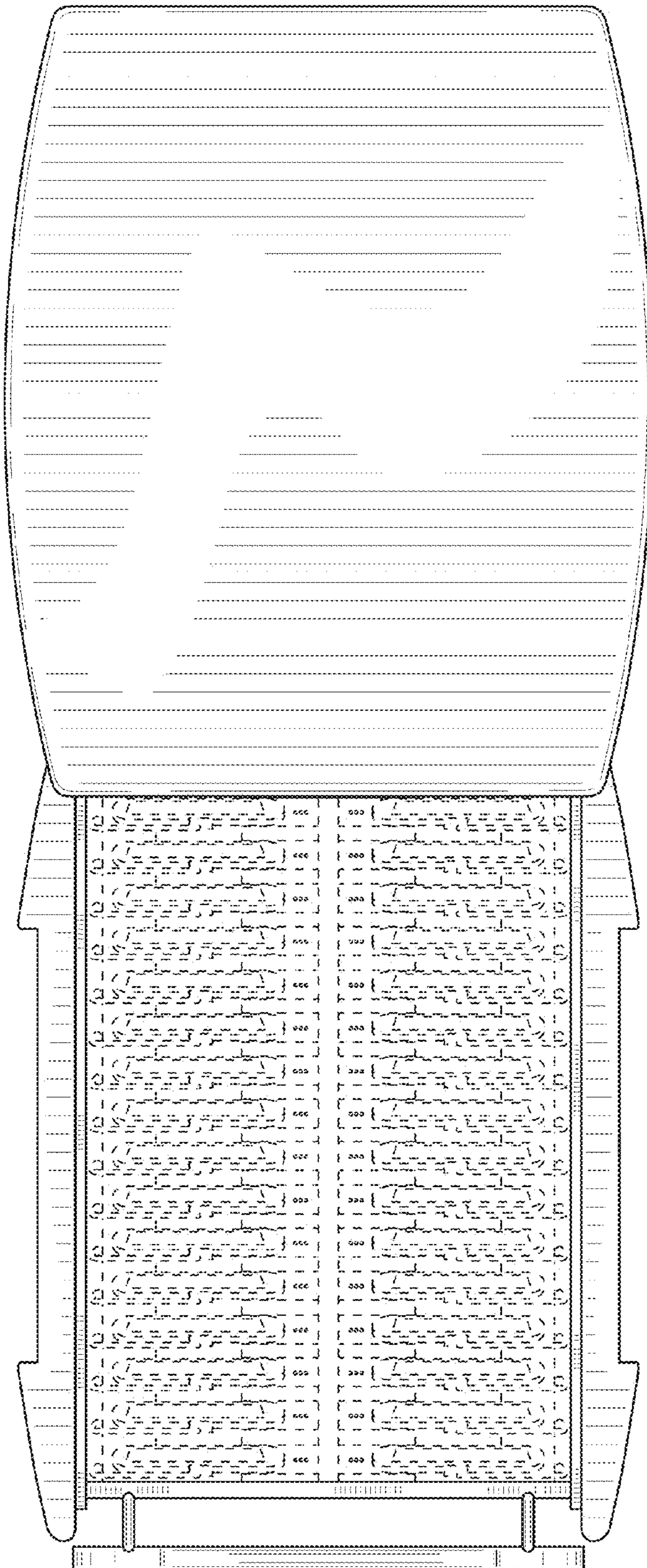


FIG. 10