



US00D687773S

(12) **United States Design Patent**
Huang et al.

(10) **Patent No.:** **US D687,773 S**
(45) **Date of Patent:** **** Aug. 13, 2013**

(54) **CHARGER**

(71) Applicant: **Chi Mei Communication Systems, Inc.,** New Taipei (TW)

(72) Inventors: **Po-Ching Huang,** New Taipei (TW);
Tzu-Cheng Yu, Santa Clara, CA (US)

(73) Assignee: **Chi Mei Communication Systems, Inc.,** New Taipei (TW)

(**) Term: **14 Years**

(21) Appl. No.: **29/440,668**

(22) Filed: **Dec. 25, 2012**

(51) **LOC (9) Cl.** **13-02**

(52) **U.S. Cl.**
USPC **D13/108**

(58) **Field of Classification Search**
USPC D13/107–110, 118–119, 184, 199;
D14/217, 251, 253, 432, 434; 320/107–115
See application file for complete search history.

(56) **References Cited**

U.S. PATENT DOCUMENTS

D440,977 S *	4/2001	Weisz et al.	D14/434
D512,066 S *	11/2005	Solomon et al.	D14/434
D512,418 S *	12/2005	Sarasjoki	D14/253
D543,936 S *	6/2007	Wada	D13/108
D558,666 S *	1/2008	Park et al.	D13/108

D575,786 S *	8/2008	Solomon et al.	D14/434
D598,453 S *	8/2009	Solomon et al.	D14/434
7,675,264 B2 *	3/2010	Lin et al.	320/115
D639,811 S *	6/2011	Hwang et al.	D14/434
D673,567 S *	1/2013	Yang	D14/434

* cited by examiner

Primary Examiner — Rosemary K Tarcza

(74) *Attorney, Agent, or Firm* — Altis Law Group, Inc.

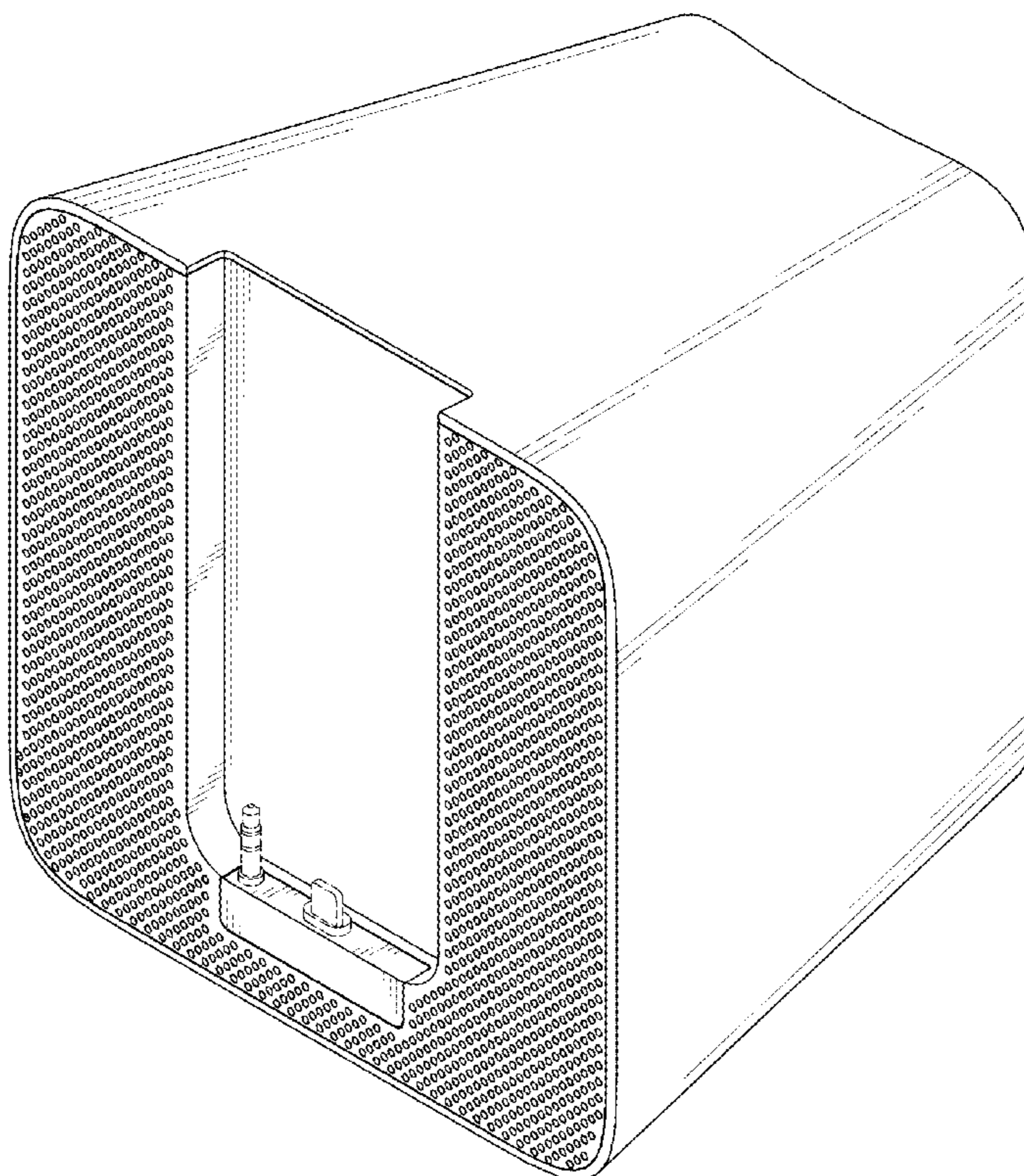
(57) **CLAIM**

The ornamental design for a charger, as shown and described.

DESCRIPTION

FIG. 1 is a perspective view of a charger showing our new design;
 FIG. 2 is a front elevational view thereof;
 FIG. 3 is a rear elevational view thereof;
 FIG. 4 is a left side elevational view thereof;
 FIG. 5 is a right side elevational view thereof;
 FIG. 6 is a top plan view thereof;
 FIG. 7 is a bottom plan view thereof;
 FIG. 8 is a perspective view of the charger of FIG. 1, receiving a portable electronic device shown in broken lines;
 FIG. 9 is another perspective view of the charger of FIG. 1, receiving a portable electronic device shown in broken lines; and,
 FIG. 10 is another perspective view of the charger of FIG. 1, receiving a portable electronic device shown in broken lines.
 The broken lines of all the figures are for the purpose of illustrating environment and forms no part of the claimed design.

1 Claim, 10 Drawing Sheets



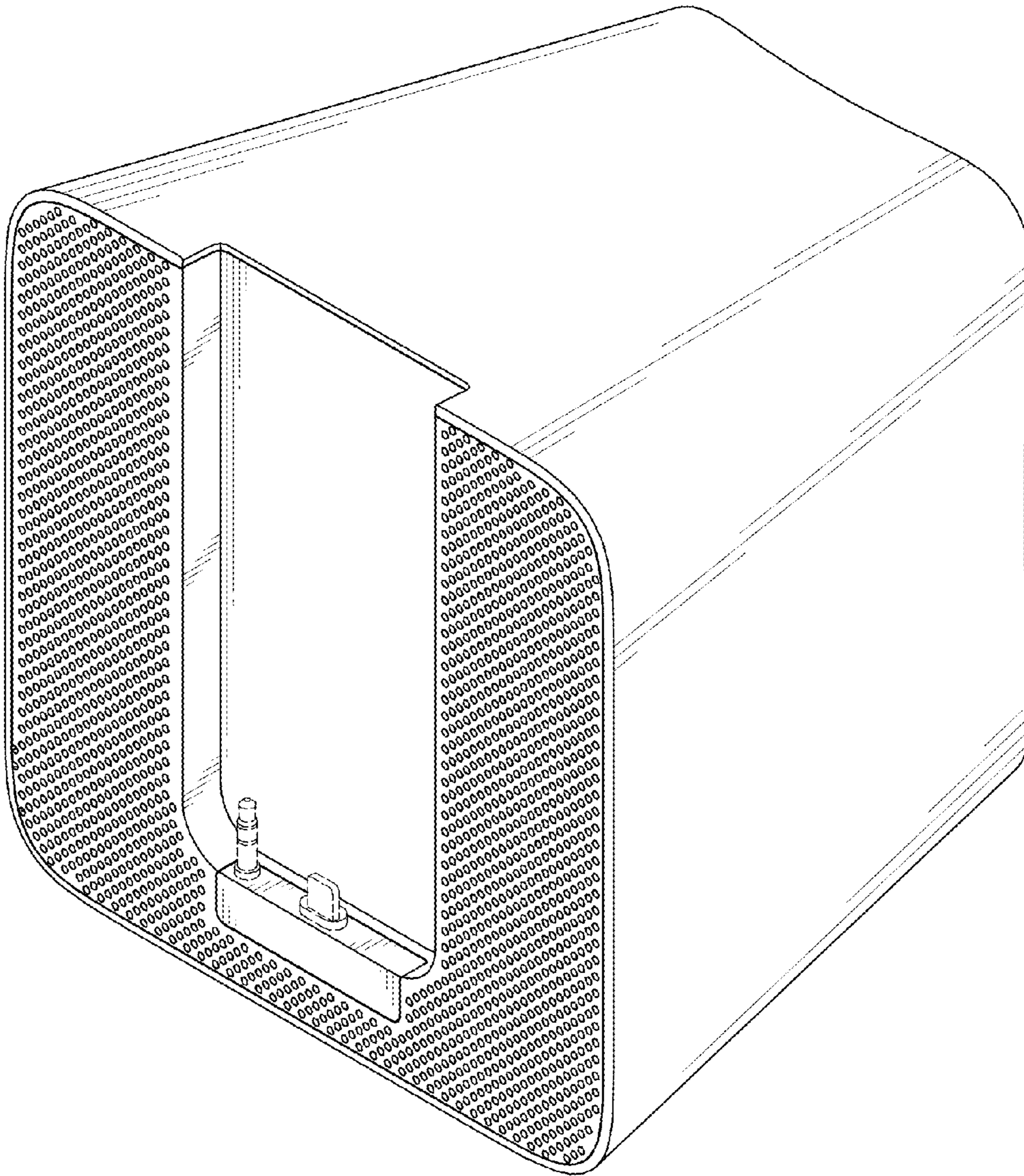


FIG. 1

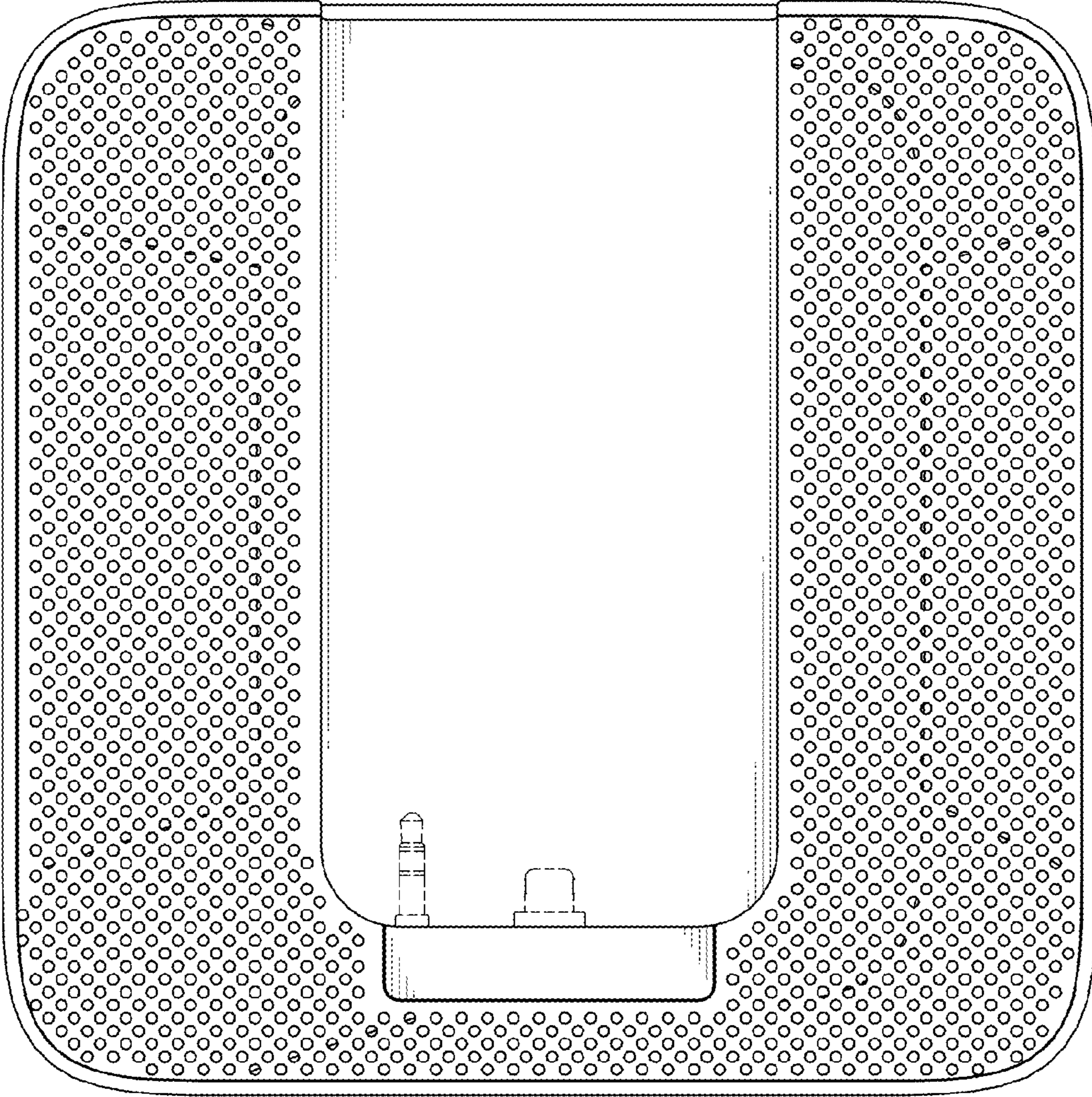


FIG. 2

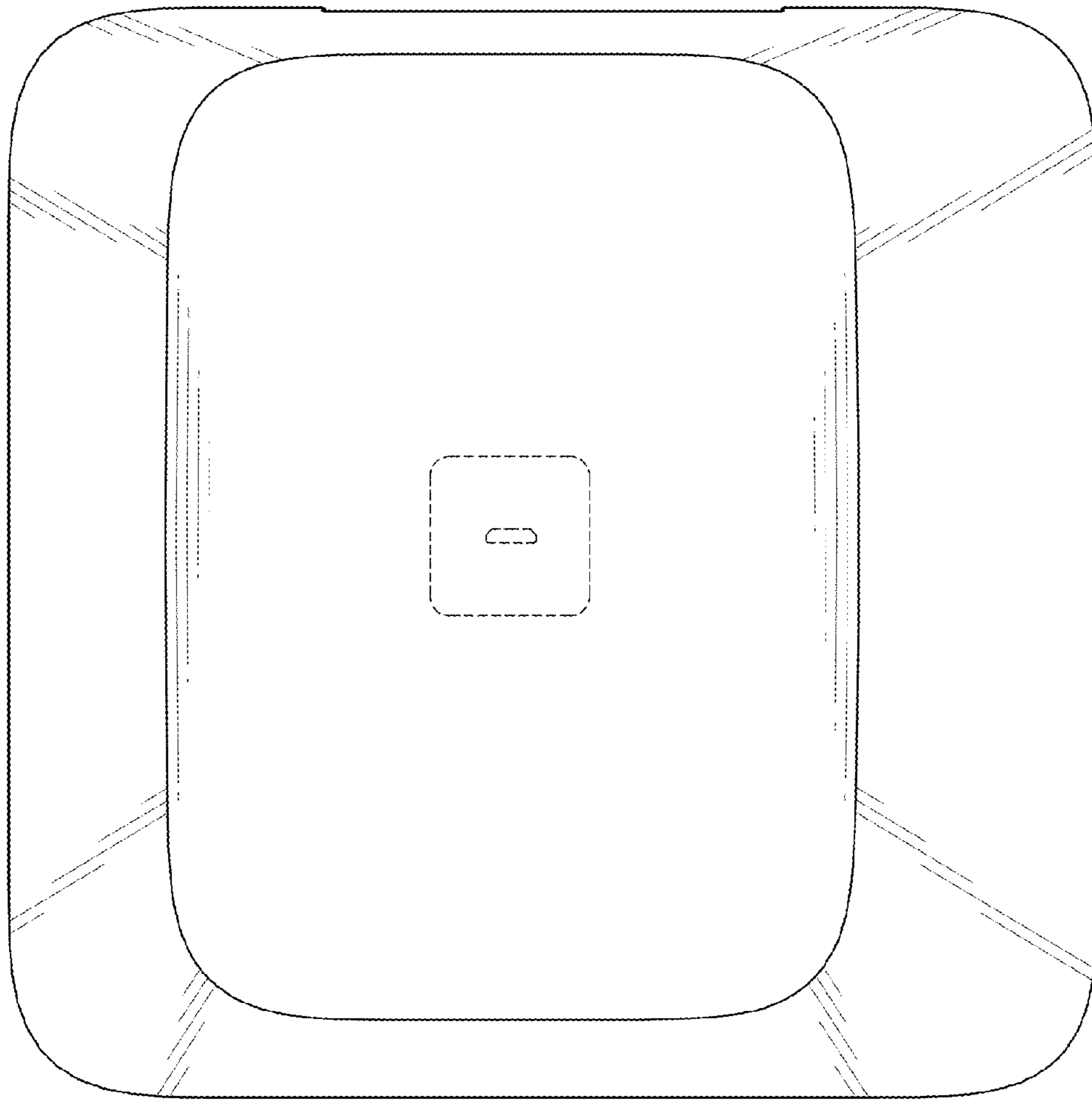


FIG. 3

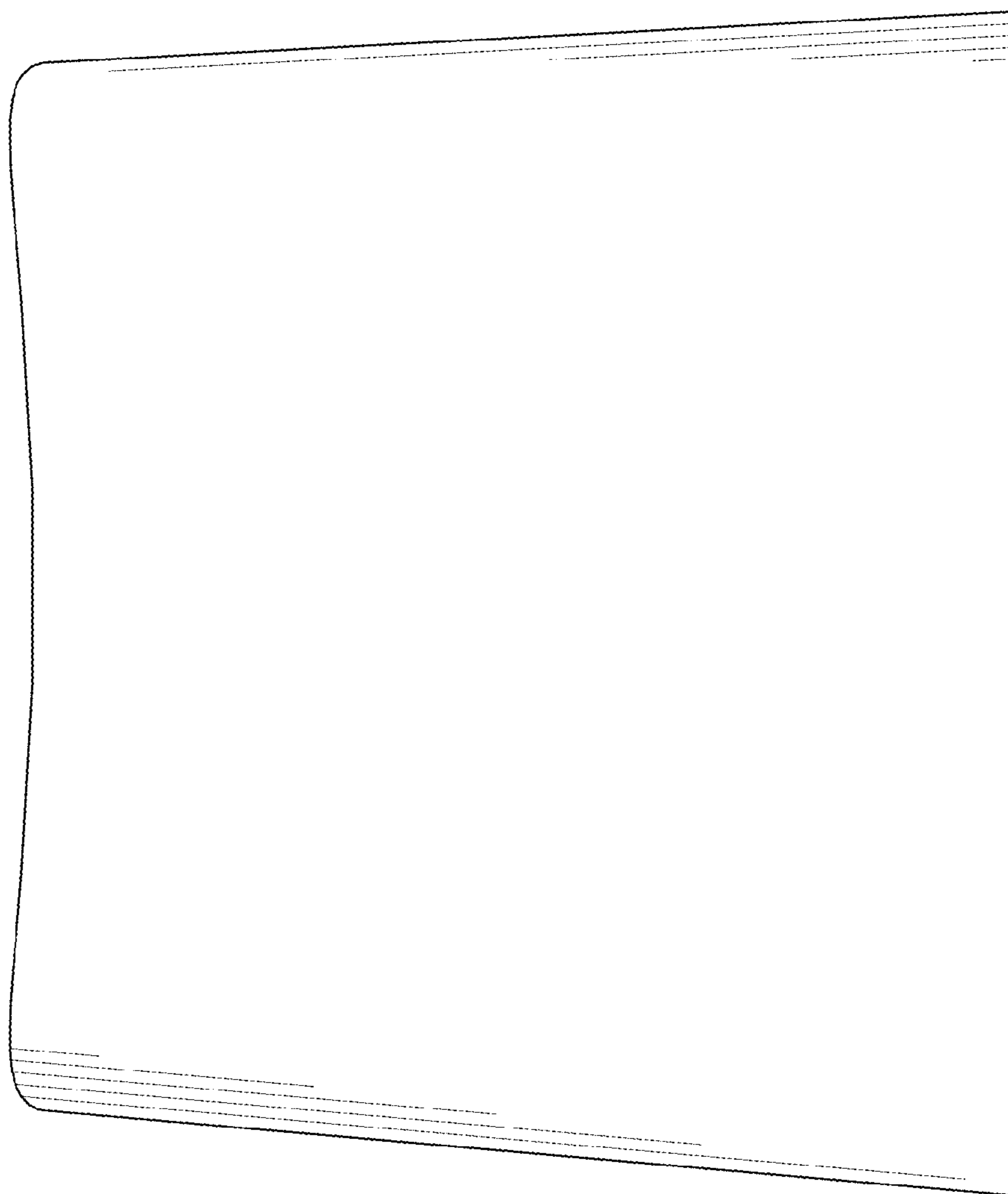


FIG. 4

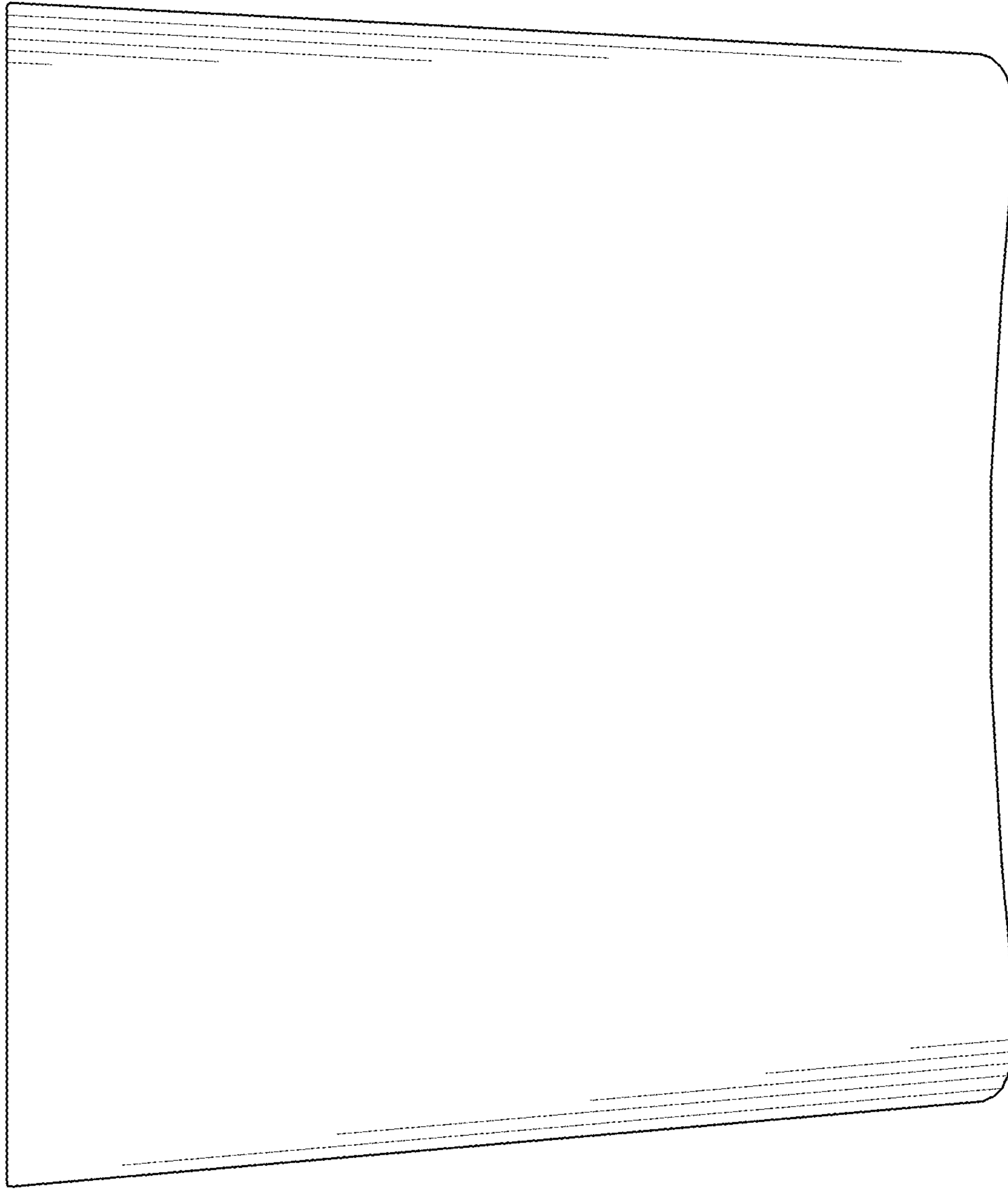


FIG. 5

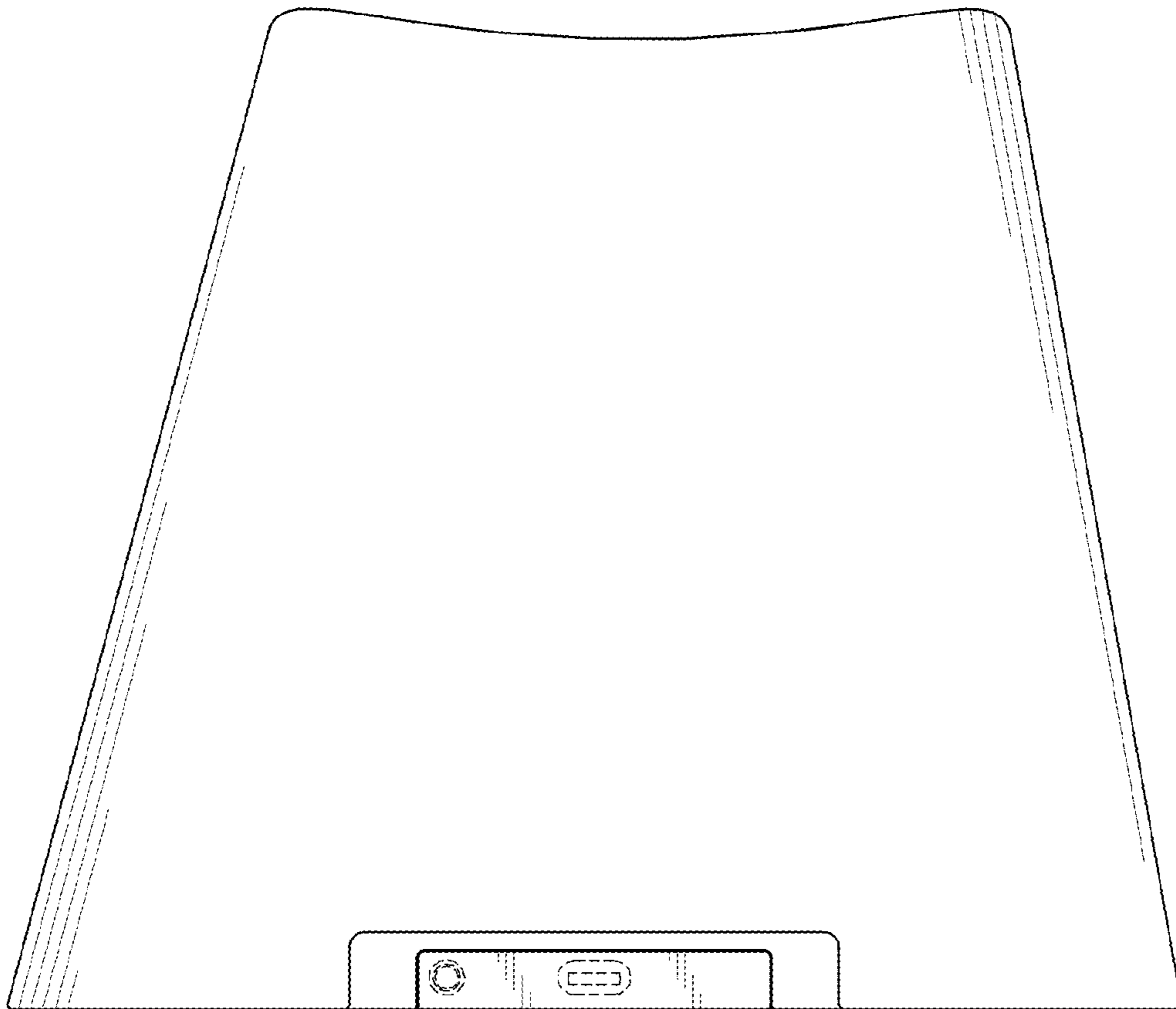


FIG. 6

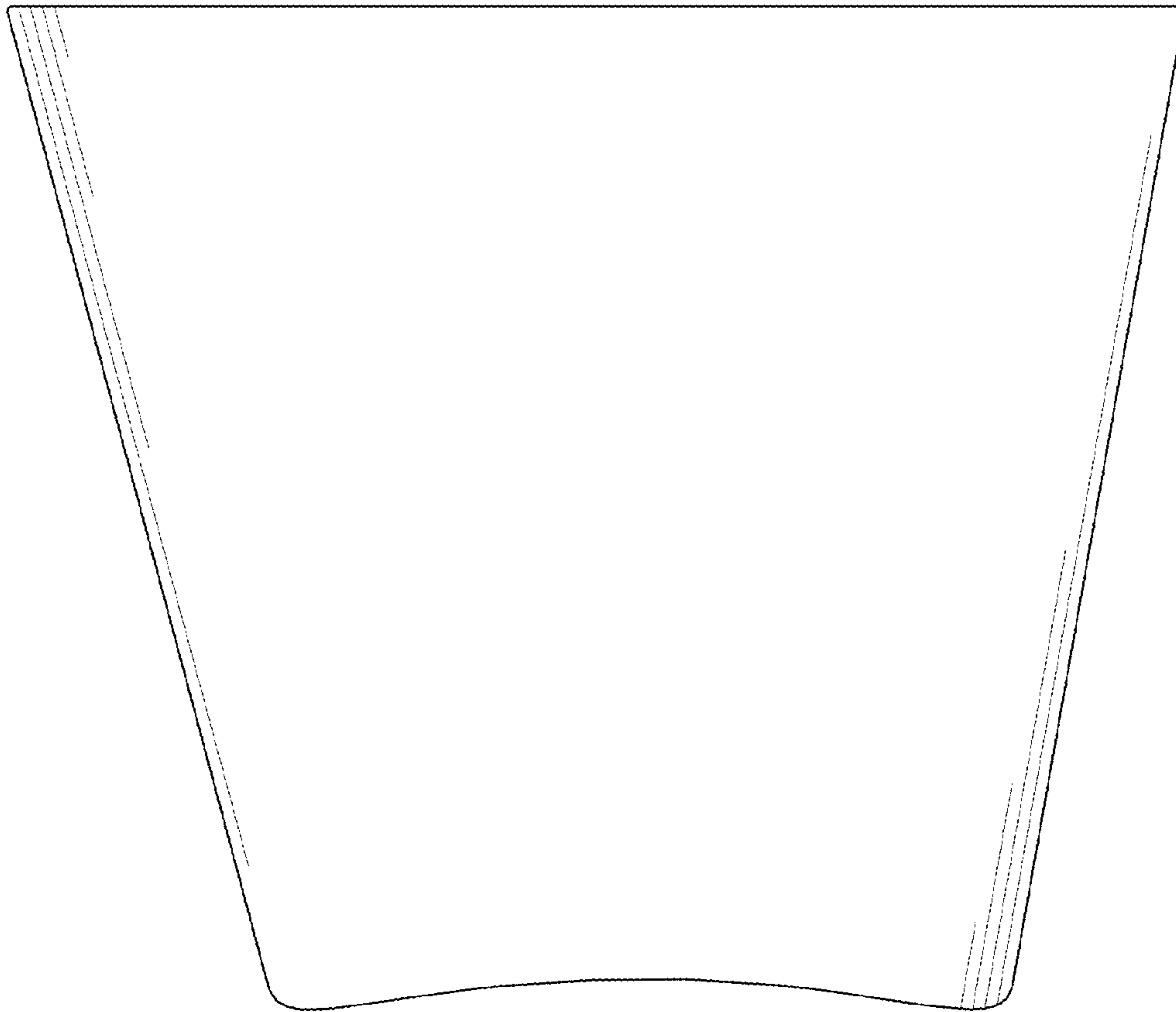


FIG. 7

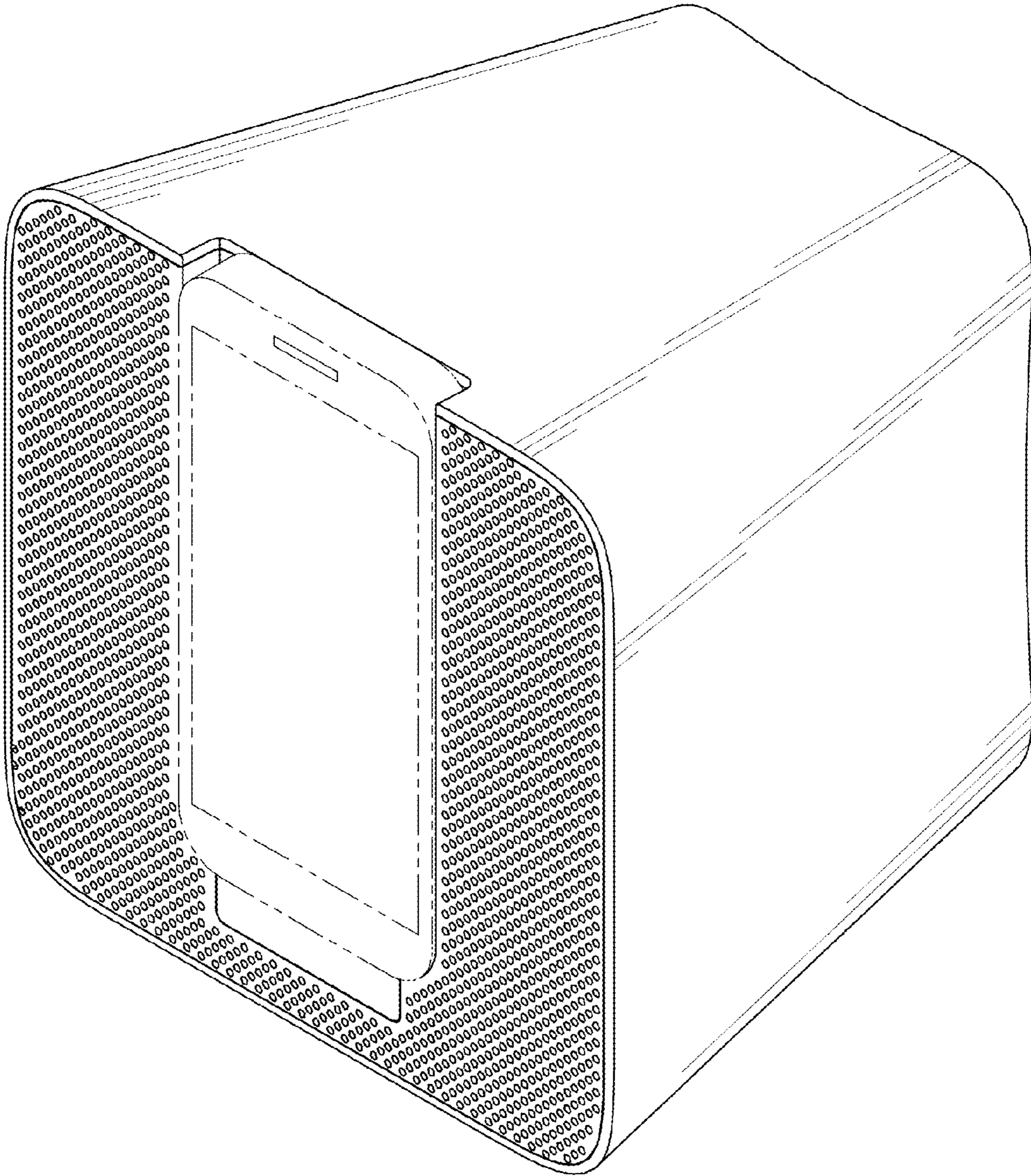


FIG. 8

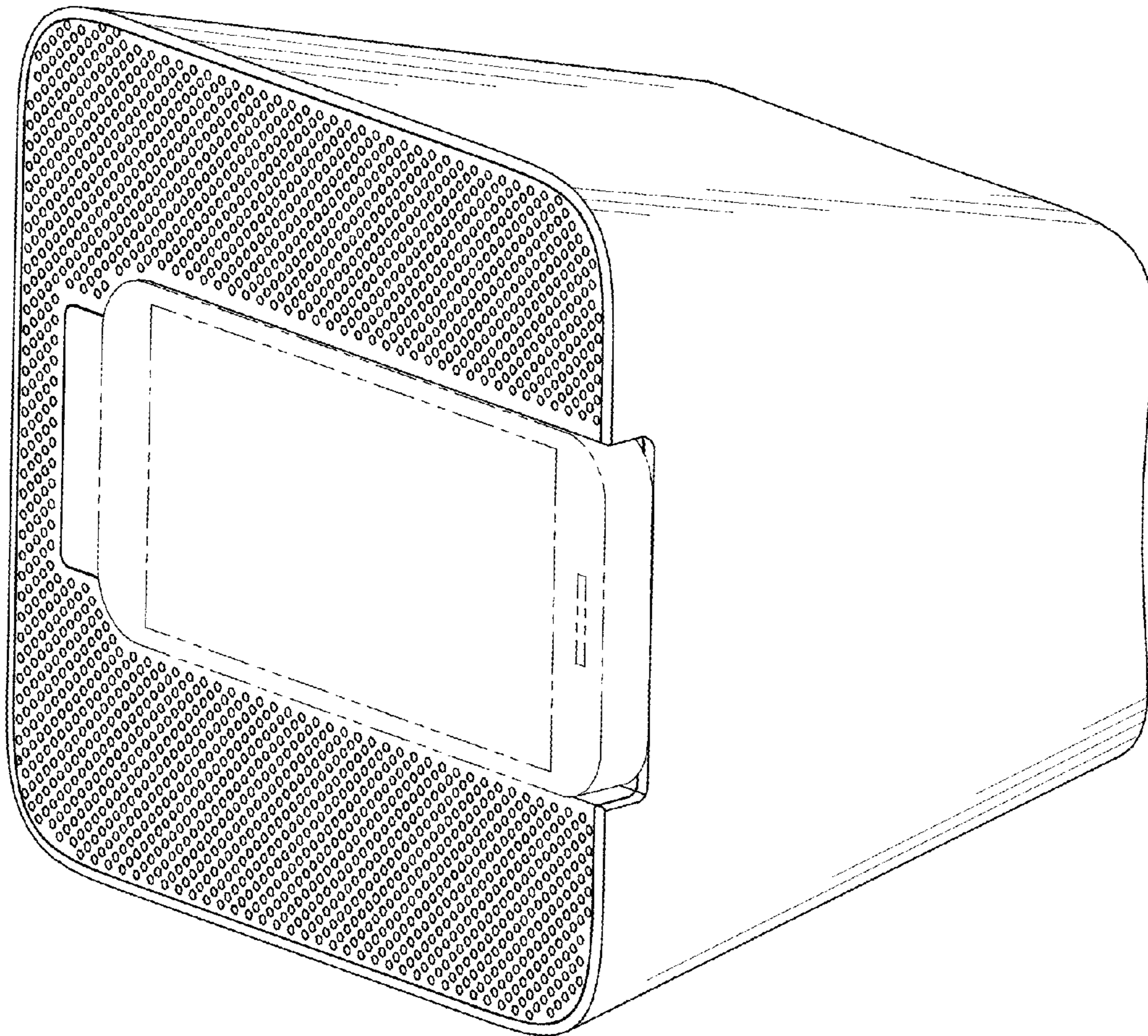


FIG. 9

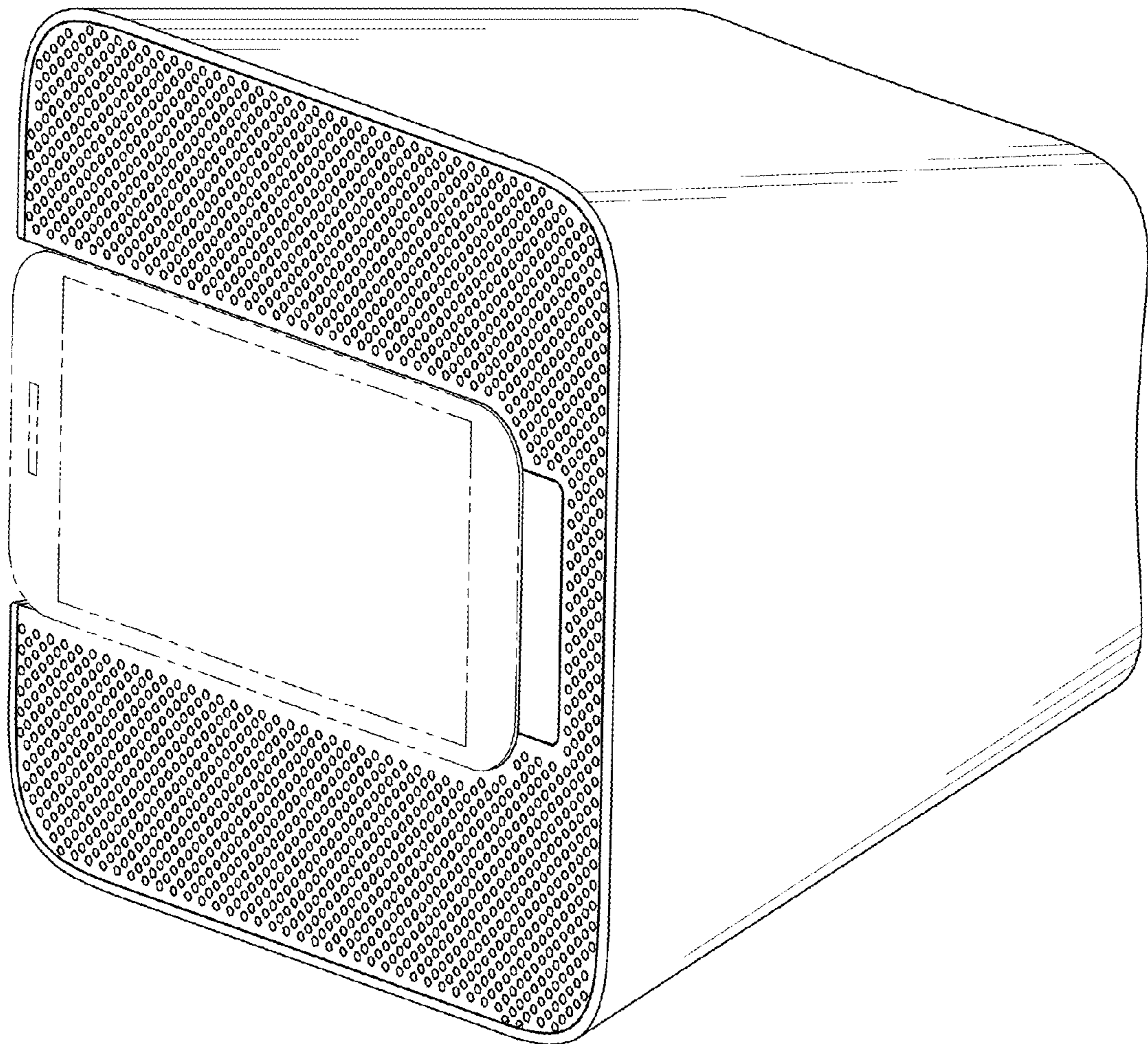


FIG. 10