



US00D687771S

(12) **United States Design Patent**
Rabalais et al.

(10) **Patent No.:** **US D687,771 S**

(45) **Date of Patent:** **** Aug. 13, 2013**

(54) **BATTERY CHARGER**

(56)

References Cited

(71) Applicants: **Brian Adam Rabalais**, New Milford, CT (US); **Aaron William Arbesman**, Newtown, CT (US); **Eric Justin Price**, Wilton, CT (US); **Maria Dora Lalli**, Portland, OR (US); **Chunshik Kim**, Portland, OR (US); **Henry Young Chin**, Portland, OR (US); **Sara Berit Margarita Berggren**, Portland, OR (US); **Chen Jian**, ShenZhen (CN); **Zhang Yun**, ShenZhen (CN)

U.S. PATENT DOCUMENTS

D466,075	S	*	11/2002	Lie	D13/107
6,876,172	B2	*	4/2005	Lam et al.	320/110
D513,731	S	*	1/2006	Kang et al.	D13/107
D515,501	S	*	2/2006	Kawasaki	D13/107
D571,722	S	*	6/2008	Kang et al.	D13/107
D573,088	S	*	7/2008	Castellucci et al.	D13/107
D598,845	S	*	8/2009	Kingston et al.	D13/107
D599,287	S	*	9/2009	Kingston et al.	D13/107
D614,127	S	*	4/2010	Kingston et al.	D13/107
D623,129	S	*	9/2010	Kawakami et al.	D13/107
D623,130	S	*	9/2010	Kawakami et al.	D13/107
2004/0130289	A1	*	7/2004	Lam et al.	320/107
2011/0148357	A1	*	6/2011	Lu	320/111

(72) Inventors: **Brian Adam Rabalais**, New Milford, CT (US); **Aaron William Arbesman**, Newtown, CT (US); **Eric Justin Price**, Wilton, CT (US); **Maria Dora Lalli**, Portland, OR (US); **Chunshik Kim**, Portland, OR (US); **Henry Young Chin**, Portland, OR (US); **Sara Berit Margarita Berggren**, Portland, OR (US); **Chen Jian**, ShenZhen (CN); **Zhang Yun**, ShenZhen (CN)

* cited by examiner

Primary Examiner — Rosemary K Tarca

(74) *Attorney, Agent, or Firm* — Vladimir Vitenberg

(57)

CLAIM

The ornamental design for a battery charger, as shown and described above.

(73) Assignee: **The Gillette Company**, Boston, MA (US)

DESCRIPTION

(**) Term: **14 Years**

(21) Appl. No.: **29/432,576**

(22) Filed: **Sep. 17, 2012**

(51) **LOC (9) Cl.** **13-02**

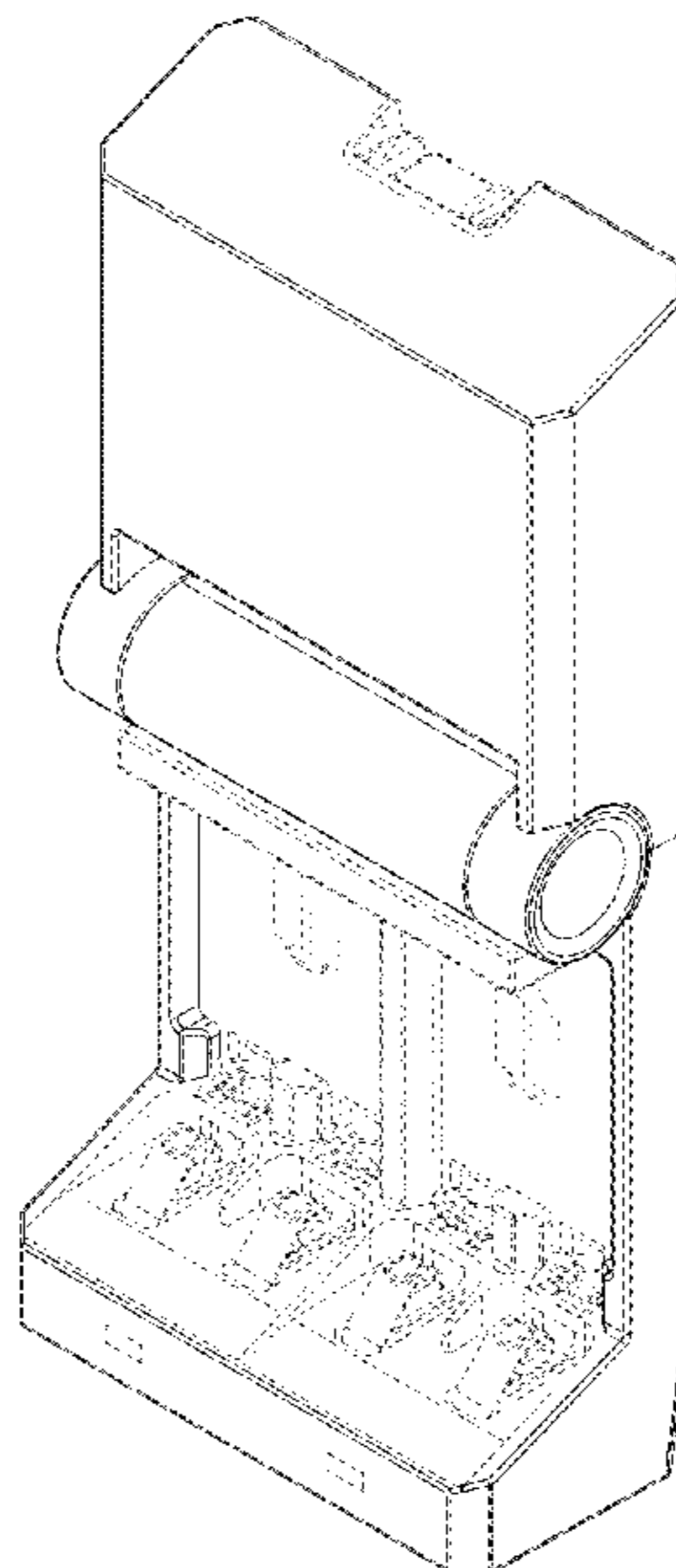
(52) **U.S. Cl.**
USPC **D13/107**

(58) **Field of Classification Search**
USPC D13/107–110, 118–119, 184, 199;
D14/217, 251, 253, 432, 434; 320/107–115
See application file for complete search history.

FIG. 1 is a perspective view of a design for a battery charger of the present invention;
FIG. 2 is a front view thereof;
FIG. 3 is a back view thereof;
FIG. 4 is a top view thereof;
FIG. 5 is a bottom thereof;
FIG. 6 is a right side view thereof; and,
FIG. 7 is a left side view thereof.

The broken lines shown in the drawings are included for the purpose of illustrating environmental structure and form no part of the claimed design.

1 Claim, 3 Drawing Sheets



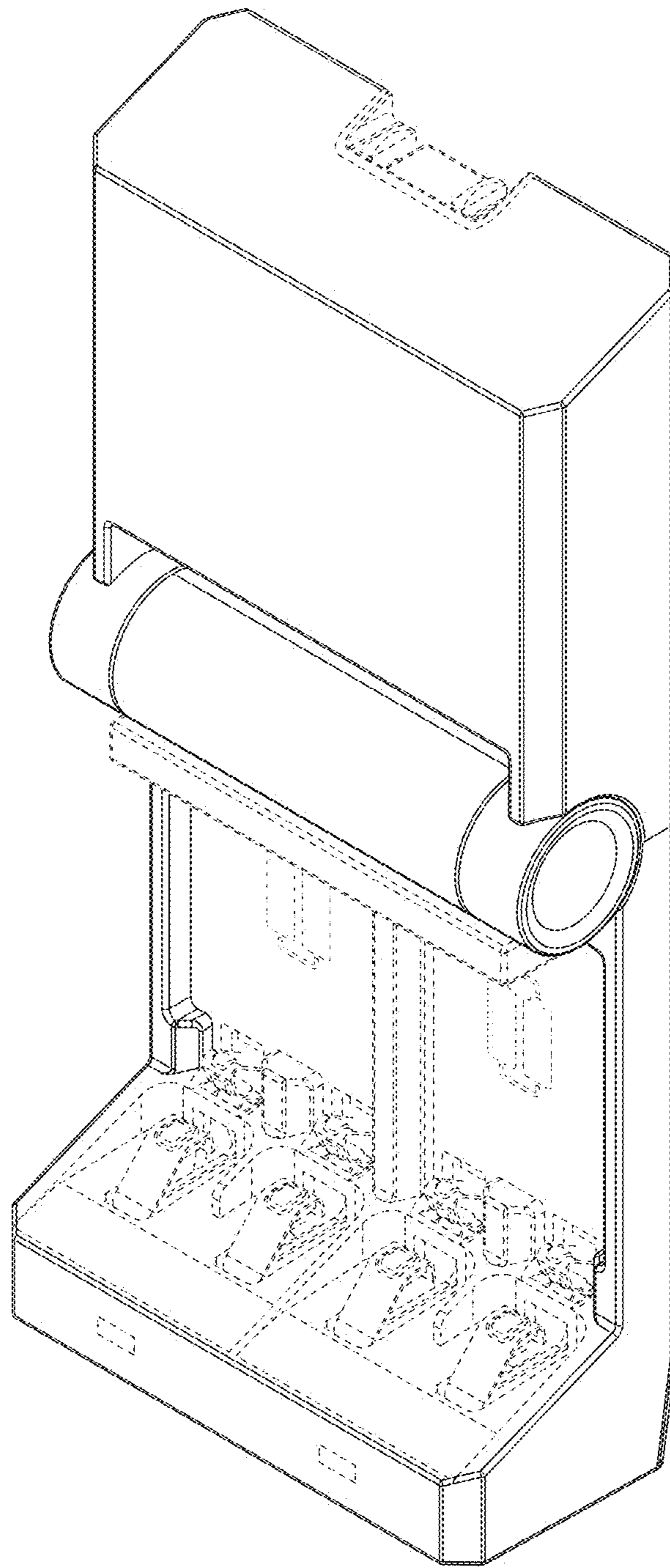


Fig. 1

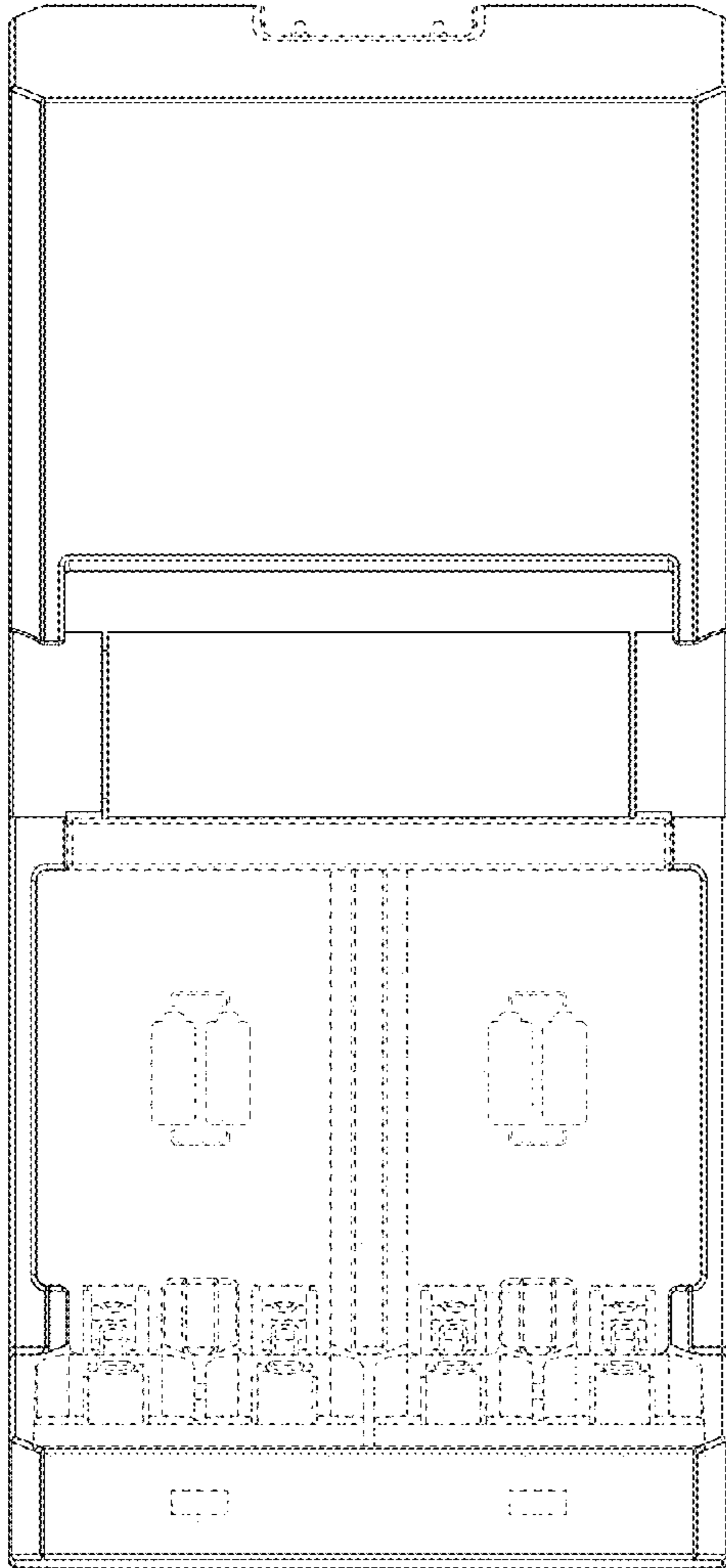


Fig. 2

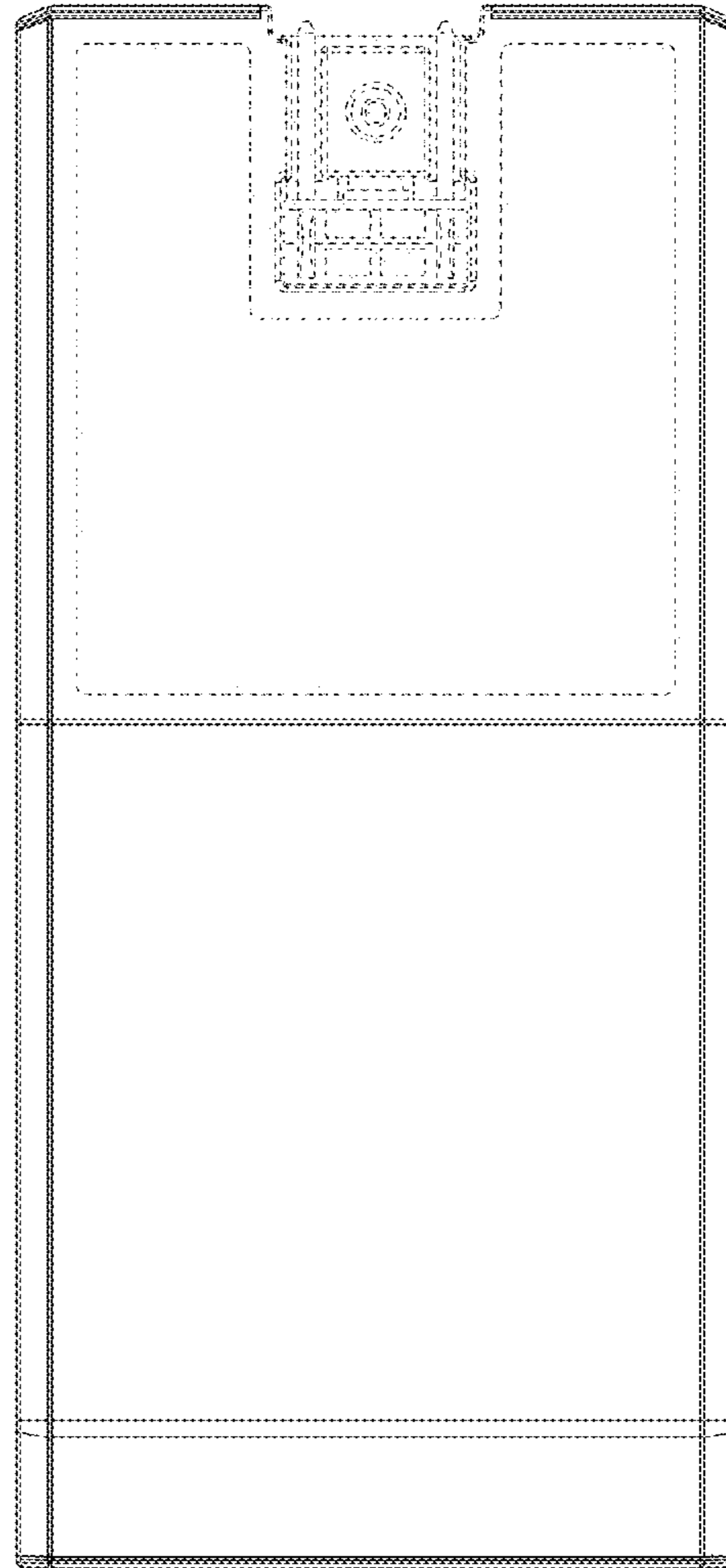


Fig. 3

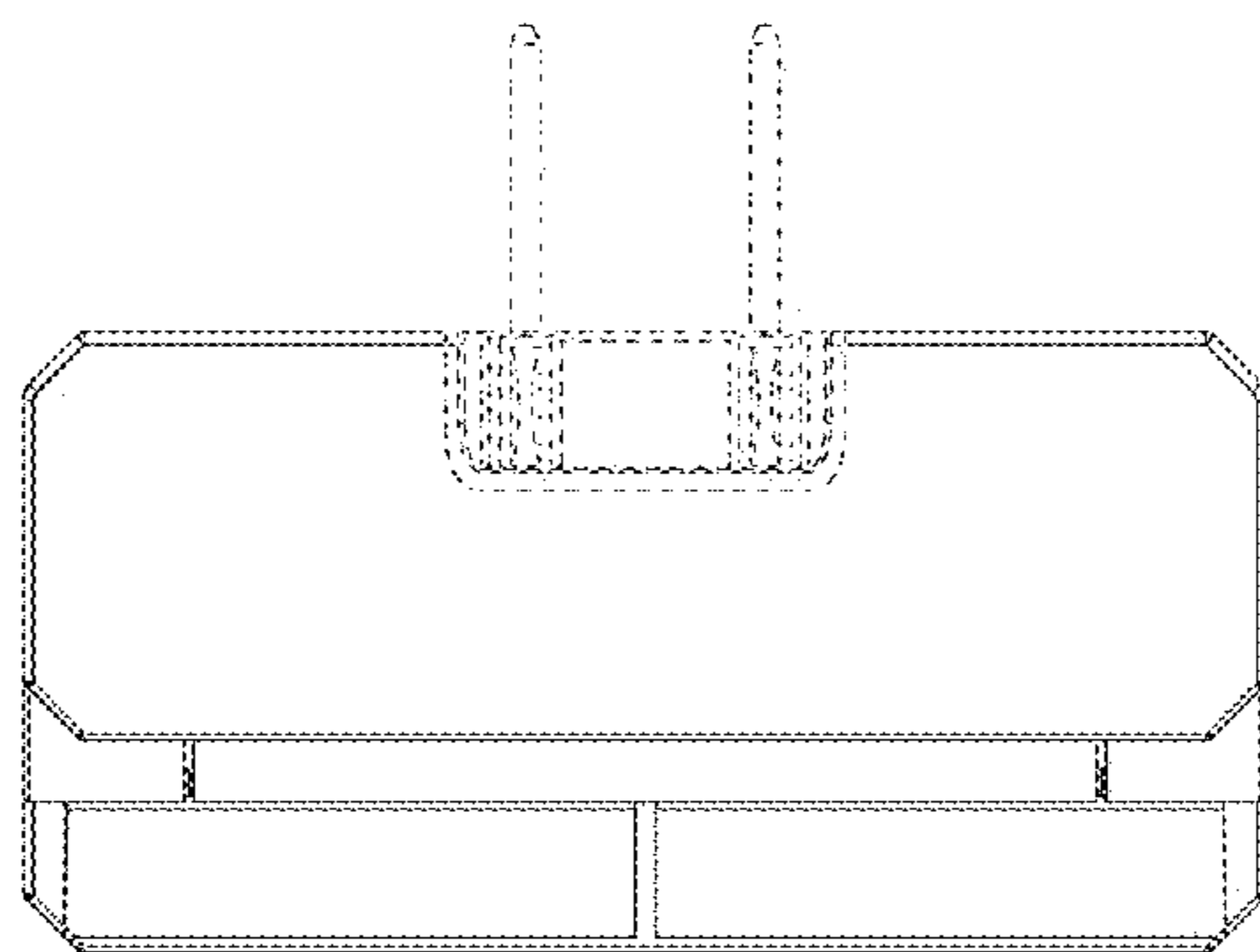


Fig. 4

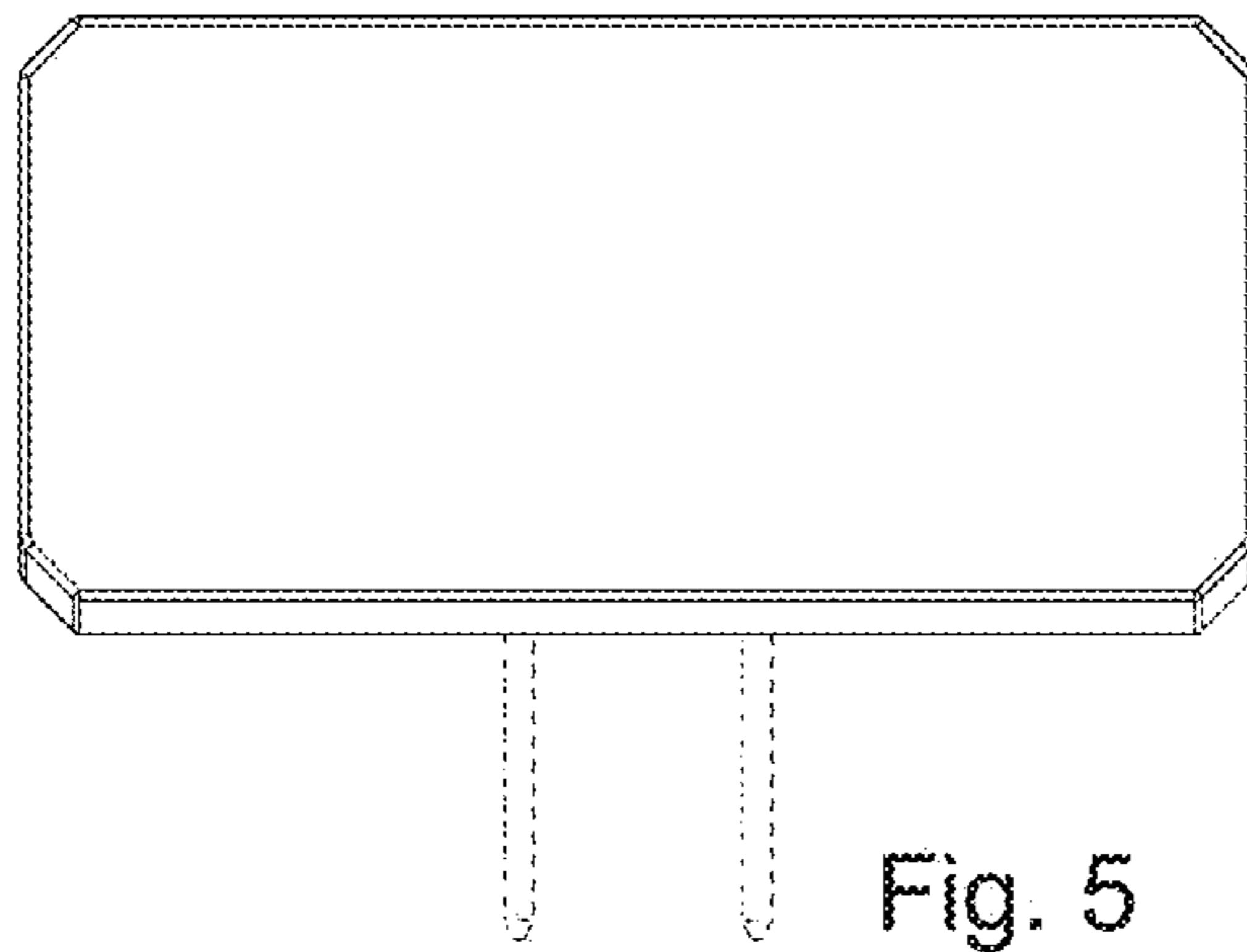


Fig. 5

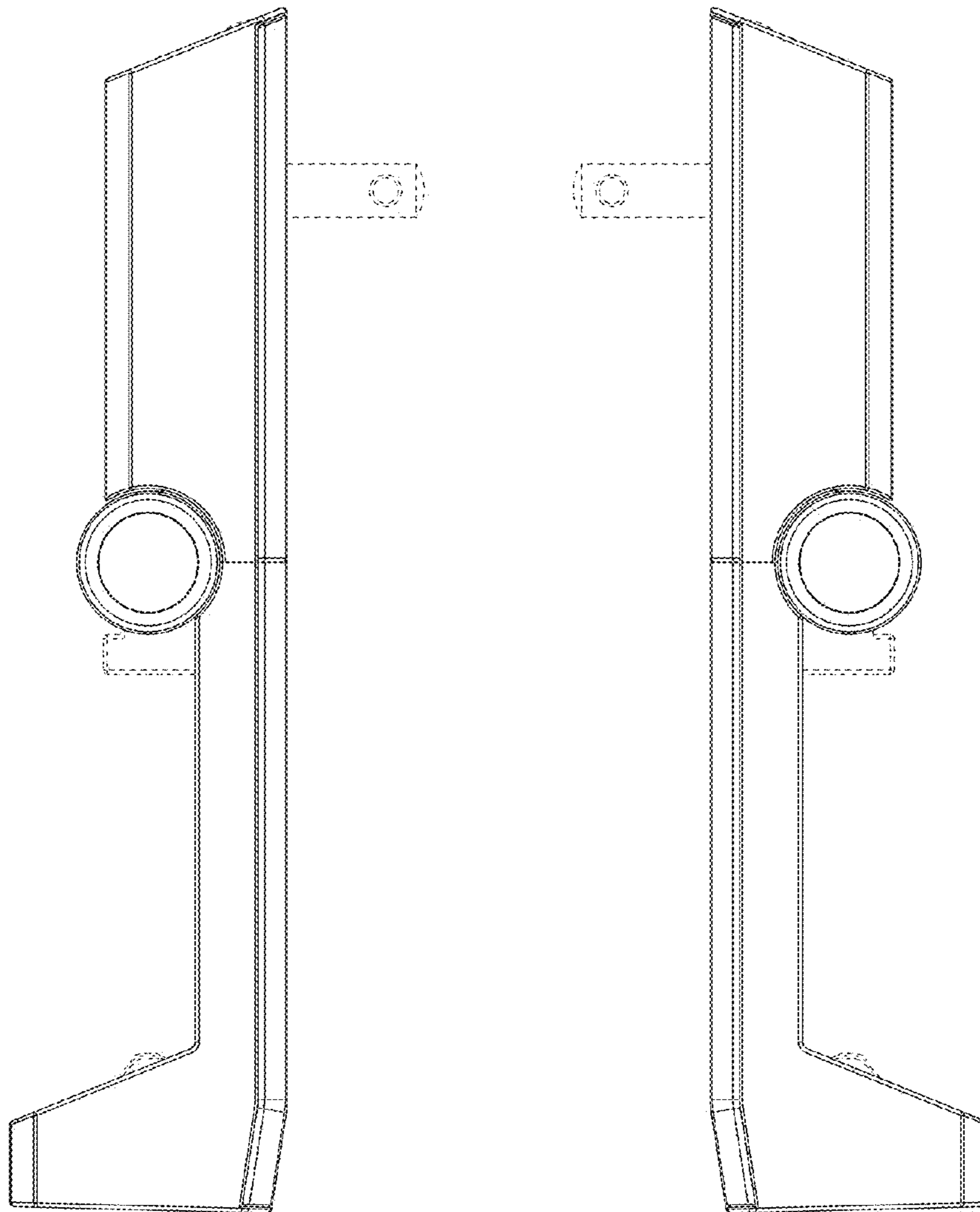


Fig. 6

Fig. 7