



US00D687770S

(12) **United States Design Patent**  
**Rabalais et al.**

(10) **Patent No.:** **US D687,770 S**

(45) **Date of Patent:** **\*\* Aug. 13, 2013**

(54) **BATTERY CHARGER**

(56) **References Cited**

(71) Applicants: **Brian Adam Rabalais**, New Milford, CT (US); **Aaron William Arbesman**, Newtown, CT (US); **Eric Justin Price**, Wilton, CT (US); **Maria Dora Lalli**, Portland, OR (US); **Chunshik Kim**, Portland, OR (US); **Henry Young Chin**, Portland, OR (US); **Sara Berit Margarita Berggren**, Portland, OR (US); **Chen Jian**, ShenZhen (CN); **Zhang Yun**, ShenZhen (CN)

(72) Inventors: **Brian Adam Rabalais**, New Milford, CT (US); **Aaron William Arbesman**, Newtown, CT (US); **Eric Justin Price**, Wilton, CT (US); **Maria Dora Lalli**, Portland, OR (US); **Chunshik Kim**, Portland, OR (US); **Henry Young Chin**, Portland, OR (US); **Sara Berit Margarita Berggren**, Portland, OR (US); **Chen Jian**, ShenZhen (CN); **Zhang Yun**, ShenZhen (CN)

(73) Assignee: **The Gillette Company**, Boston, MA (US)

(\*\*) Term: **14 Years**

(21) Appl. No.: **29/432,573**

(22) Filed: **Sep. 17, 2012**

(51) **LOC (9) Cl.** ..... **13-02**

(52) **U.S. Cl.**  
USPC ..... **D13/107**

(58) **Field of Classification Search**  
USPC ..... D13/107–110, 118–119, 184, 199;  
D14/217, 251, 253, 432, 434; 320/107–115  
See application file for complete search history.

U.S. PATENT DOCUMENTS

D465,452	S	*	11/2002	Lie	.....	D13/107
6,876,172	B2	*	4/2005	Lam et al.	.....	320/110
D515,501	S	*	2/2006	Kawasaki	.....	D13/107
D571,722	S	*	6/2008	Kang et al.	.....	D13/107
D573,088	S	*	7/2008	Castellucci et al.	.....	D13/107
D574,321	S	*	8/2008	Osiecki et al.	.....	D13/107
D599,287	S	*	9/2009	Kingston et al.	.....	D13/107
D614,127	S	*	4/2010	Kingston et al.	.....	D13/107
D623,130	S	*	9/2010	Kawakami et al.	.....	D13/107
D639,732	S	*	6/2011	Ueda	.....	D13/107
D676,806	S	*	2/2013	Baker et al.	.....	D13/107
2002/0063550	A1	*	5/2002	Chen et al.	.....	320/110
2007/0069688	A1	*	3/2007	Satsuma	.....	320/110

\* cited by examiner

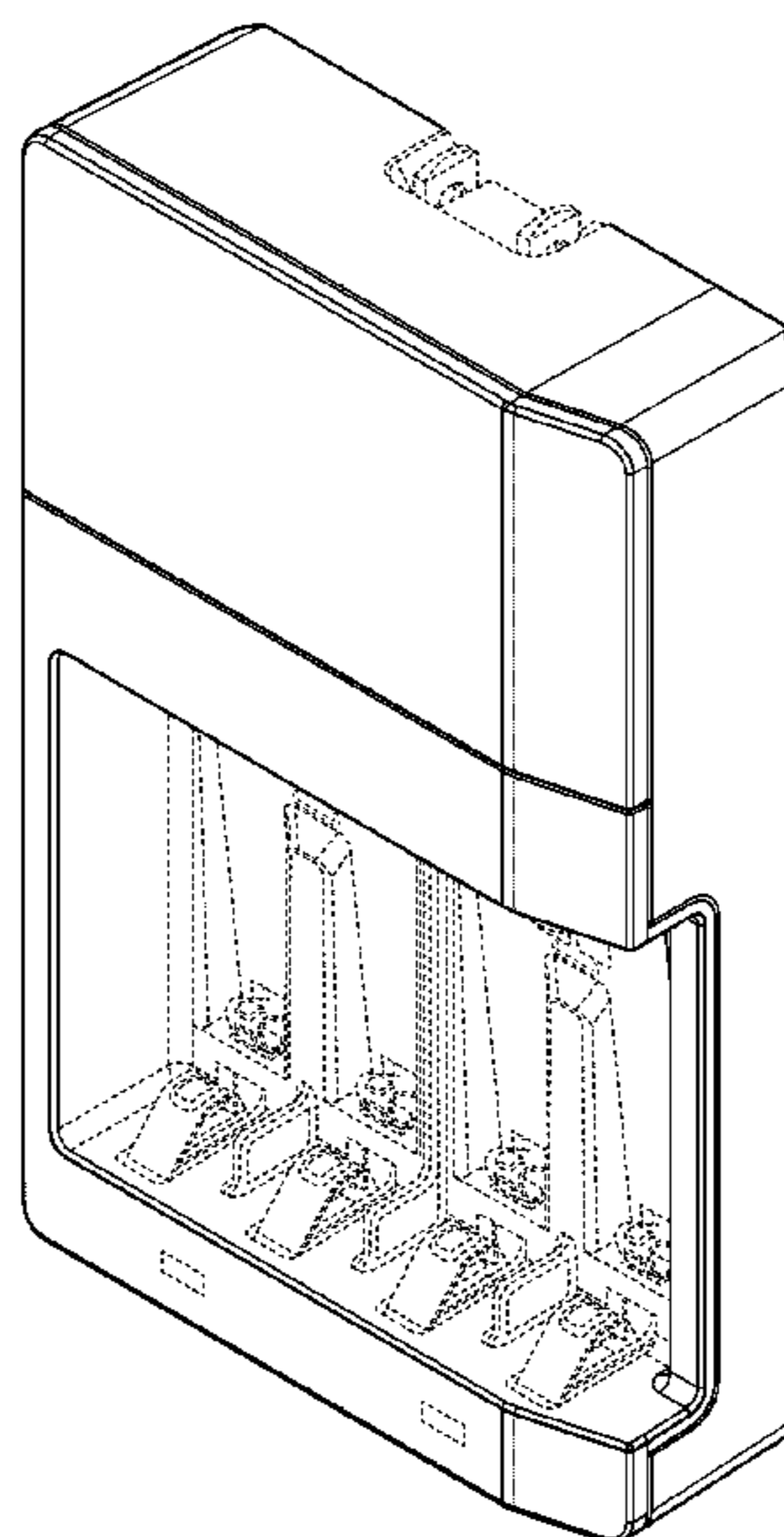
*Primary Examiner* — Rosemary K Tarca  
(74) *Attorney, Agent, or Firm* — David M. Weirich; Vladimir Vitenberg

(57) **CLAIM**  
The ornamental design for a battery charger, as shown and described above.

**DESCRIPTION**

FIG. 1 is a perspective view of a design for a battery charger of the present invention;  
FIG. 2 is a front view thereof;  
FIG. 3 is a back view thereof;  
FIG. 4 is a top view thereof;  
FIG. 5 is a bottom thereof;  
FIG. 6 is a right side view thereof; and,  
FIG. 7 is a left side view thereof.  
The broken lines shown in the drawings are included for the purpose of illustrating environmental structure and form no part of the claimed design.

**1 Claim, 4 Drawing Sheets**



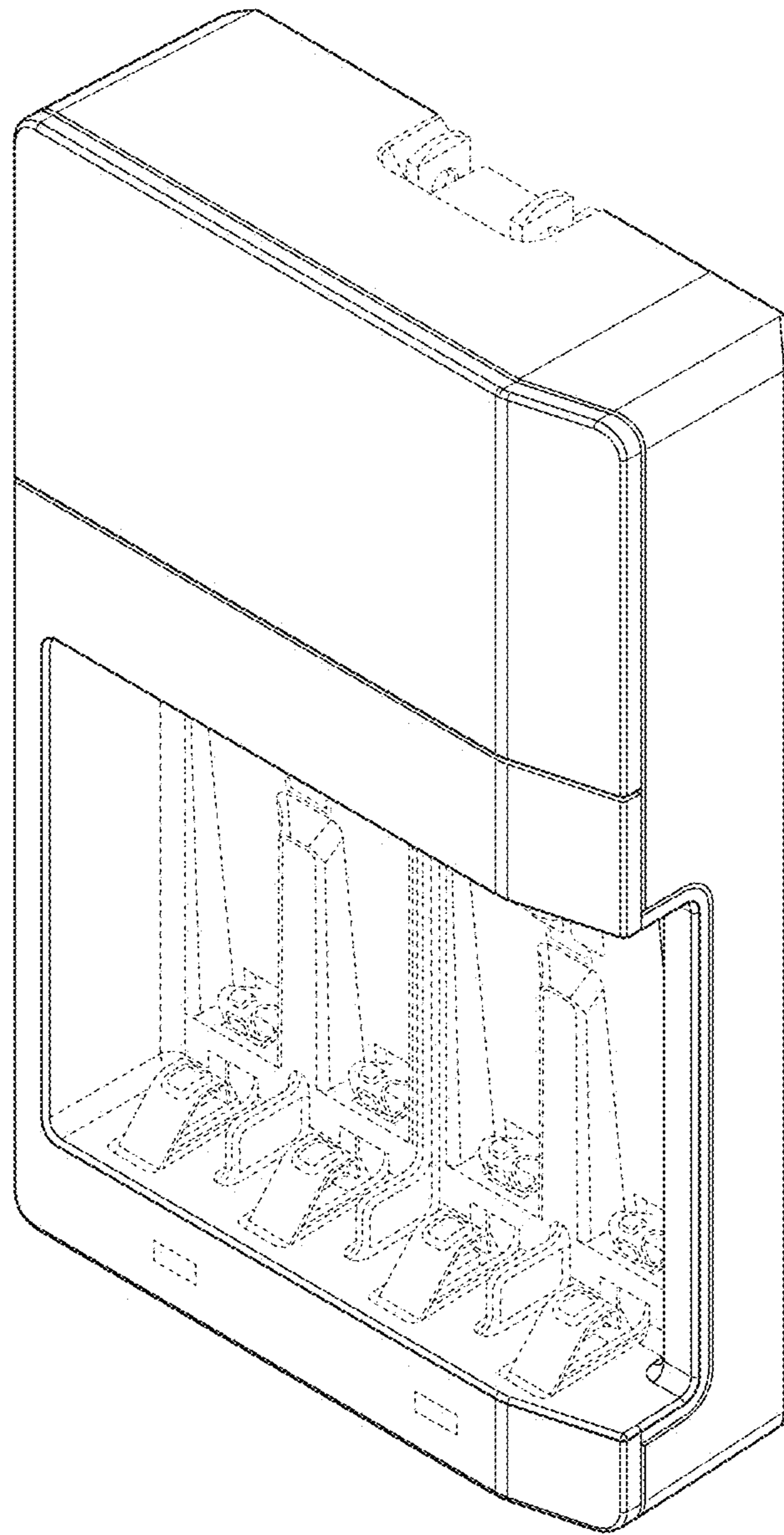


Fig. 1

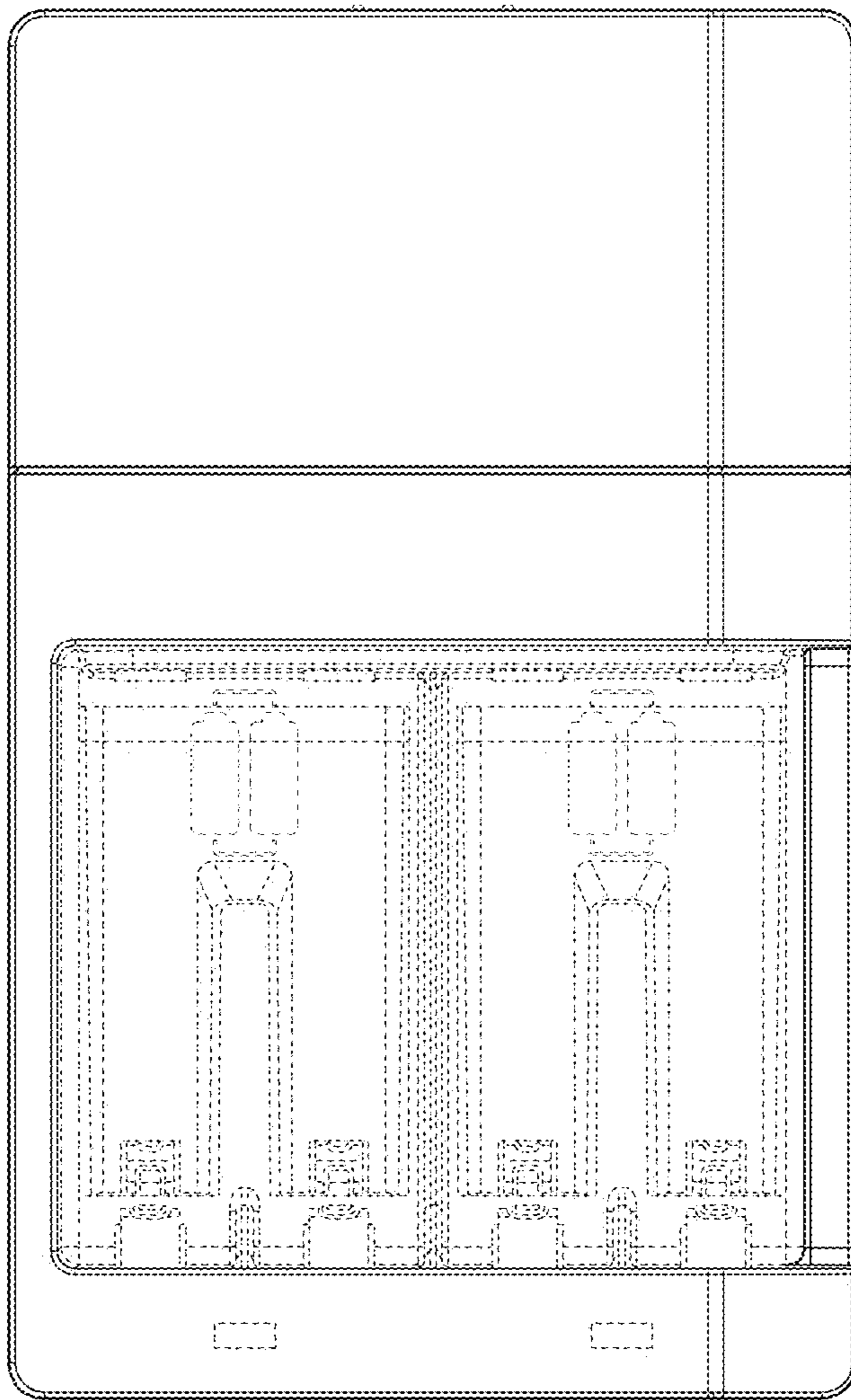


Fig. 2

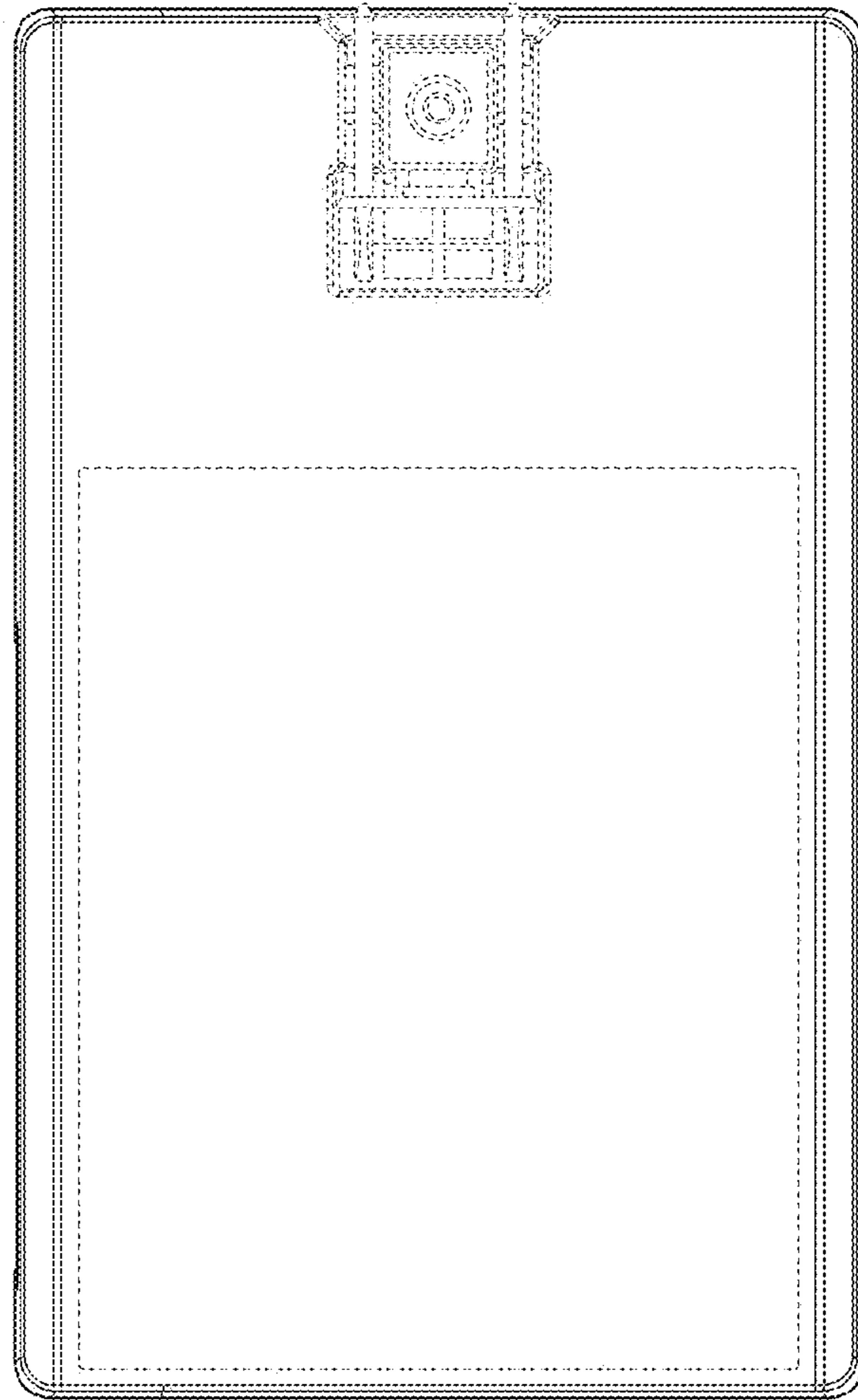


Fig. 3

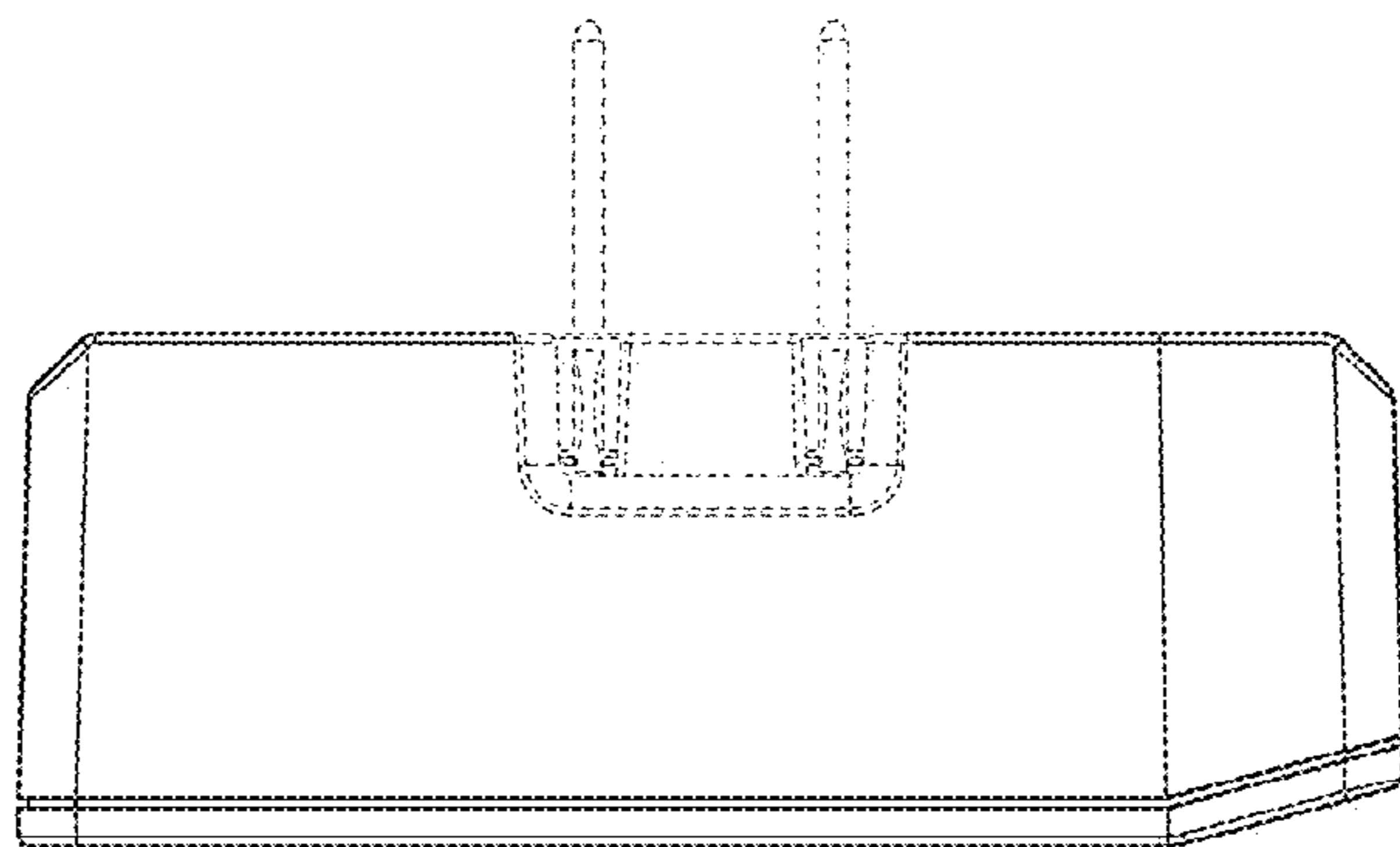


Fig. 4

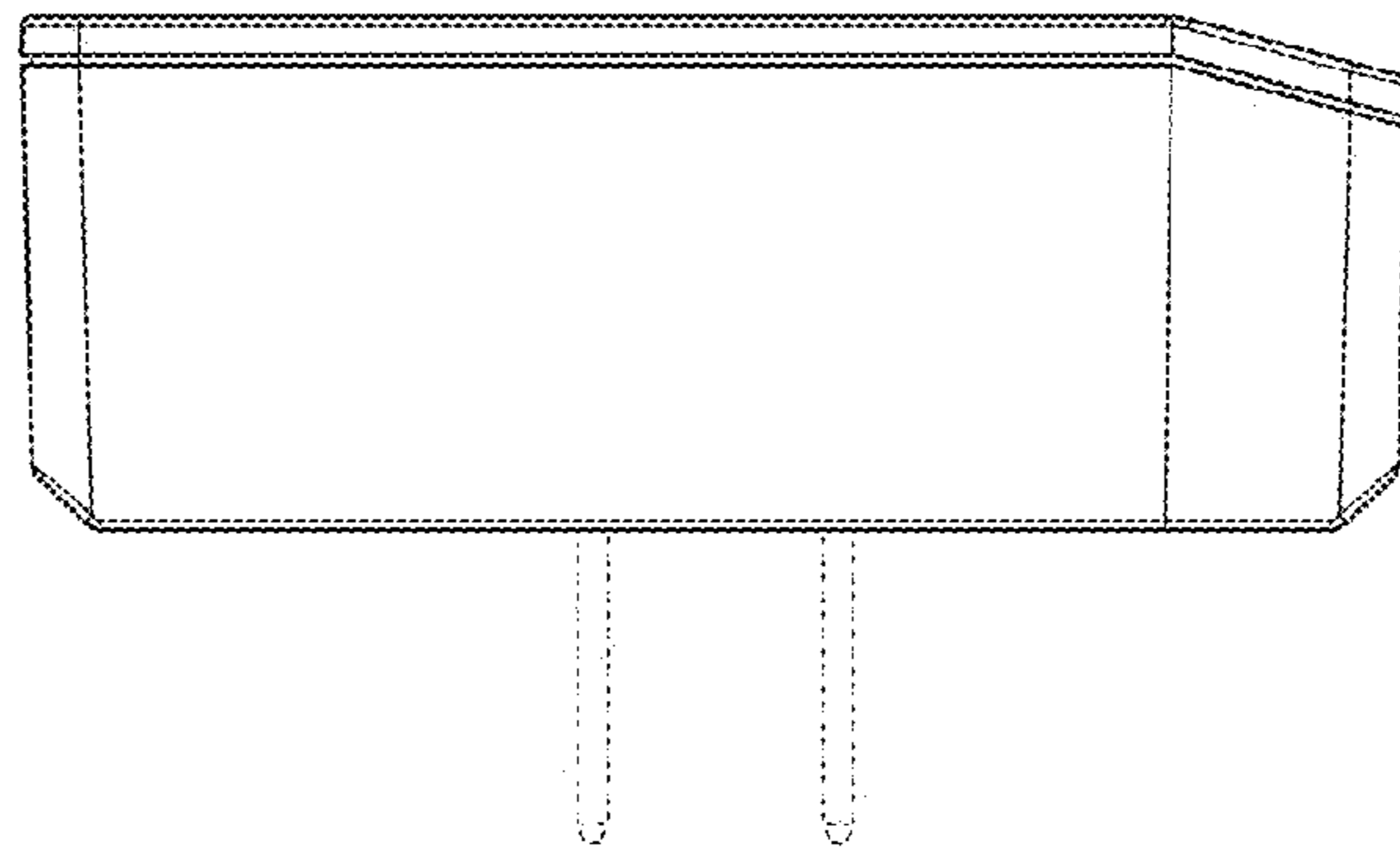


Fig. 5

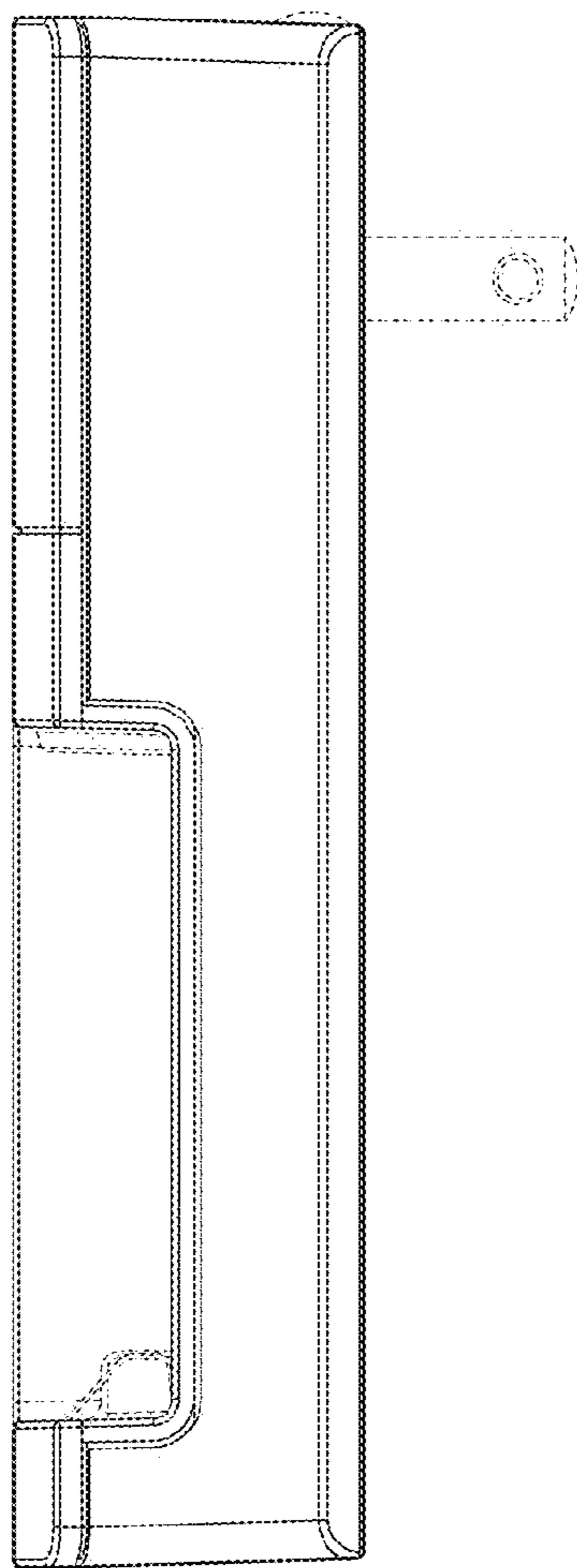


Fig. 6

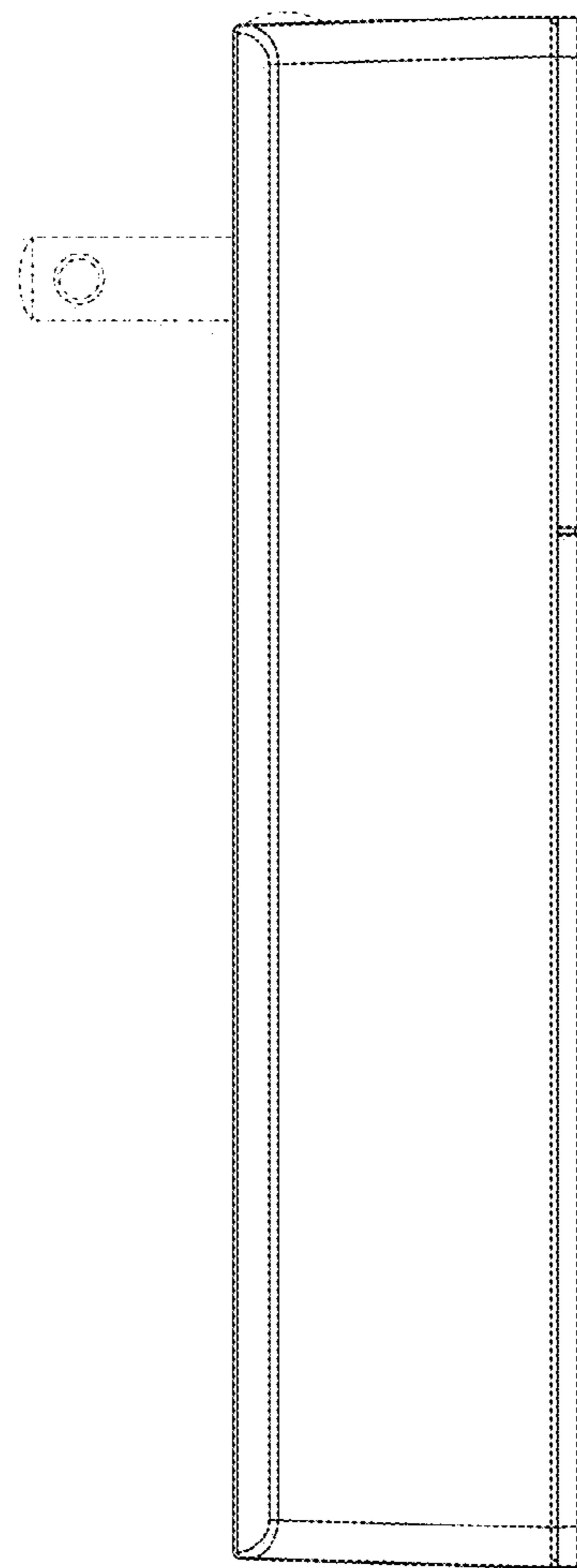


Fig. 7