



US00D687769S

(12) **United States Design Patent**
Rodbro

(10) **Patent No.:** **US D687,769 S**

(45) **Date of Patent:** **** Aug. 13, 2013**

(54) **APPARATUS FOR RECHARGING BATTERIES**

(75) Inventor: **Soren Rodbro**, Fjerritslev (DK)

(73) Assignee: **Inelco A/S** (DK)

(**) Term: **14 Years**

(21) Appl. No.: **29/411,596**

(22) Filed: **Jan. 24, 2012**

Related U.S. Application Data

(62) Division of application No. 29/309,792, filed on Oct. 14, 2008, now Pat. No. Des. 660,227.

(30) **Foreign Application Priority Data**

Apr. 14, 2008 (EP) 000915806

(51) **LOC (9) Cl.** **13-02**

(52) **U.S. Cl.**
USPC **D13/107**

(58) **Field of Classification Search**
USPC D13/106-110, 118-119, 184, 199;
D15/9; 320/103-115

See application file for complete search history.

(56) **References Cited**

U.S. PATENT DOCUMENTS

D227,680 S *	7/1973	Fischer	D13/107
D323,504 S	1/1992	Langton		
D360,367 S	7/1995	Petruzzi		
D363,473 S	10/1995	Leman		
D429,242 S	8/2000	Sun		
D458,600 S	6/2002	Freitag et al.		
D486,492 S	2/2004	Sheu et al.		

6,876,172 B2	4/2005	Lam et al.		
D504,870 S *	5/2005	Krieger et al.	D13/107
D513,731 S	1/2006	Kang et al.		
D514,062 S	1/2006	Chang		
D518,769 S *	4/2006	Kurth	D13/107
D520,013 S	5/2006	Yang		
D528,978 S *	9/2006	Trosper et al.	D13/107
D609,632 S *	2/2010	Daniels et al.	D13/107
D609,633 S *	2/2010	Daniels et al.	D13/107
D660,227 S	5/2012	Rodbro		

OTHER PUBLICATIONS

Official Action for U.S. Appl. No. 29/411,596, mailed Sep. 29, 2011, 6 pages.

Notice of Allowance for U.S. Appl. No. 29/411,596, mailed Feb. 29, 2012, 7 pages.

* cited by examiner

Primary Examiner — Rosemary K Tarcza

(74) *Attorney, Agent, or Firm* — Sheridan Ross PC

(57) **CLAIM**

The ornamental design for an apparatus for recharging batteries, as shown and described.

DESCRIPTION

FIG. 1 is a perspective rear view of an apparatus for recharging batteries according to a preferred embodiment of my design;

FIG. 2 is a perspective front view thereof;

FIG. 3 is a top view thereof;

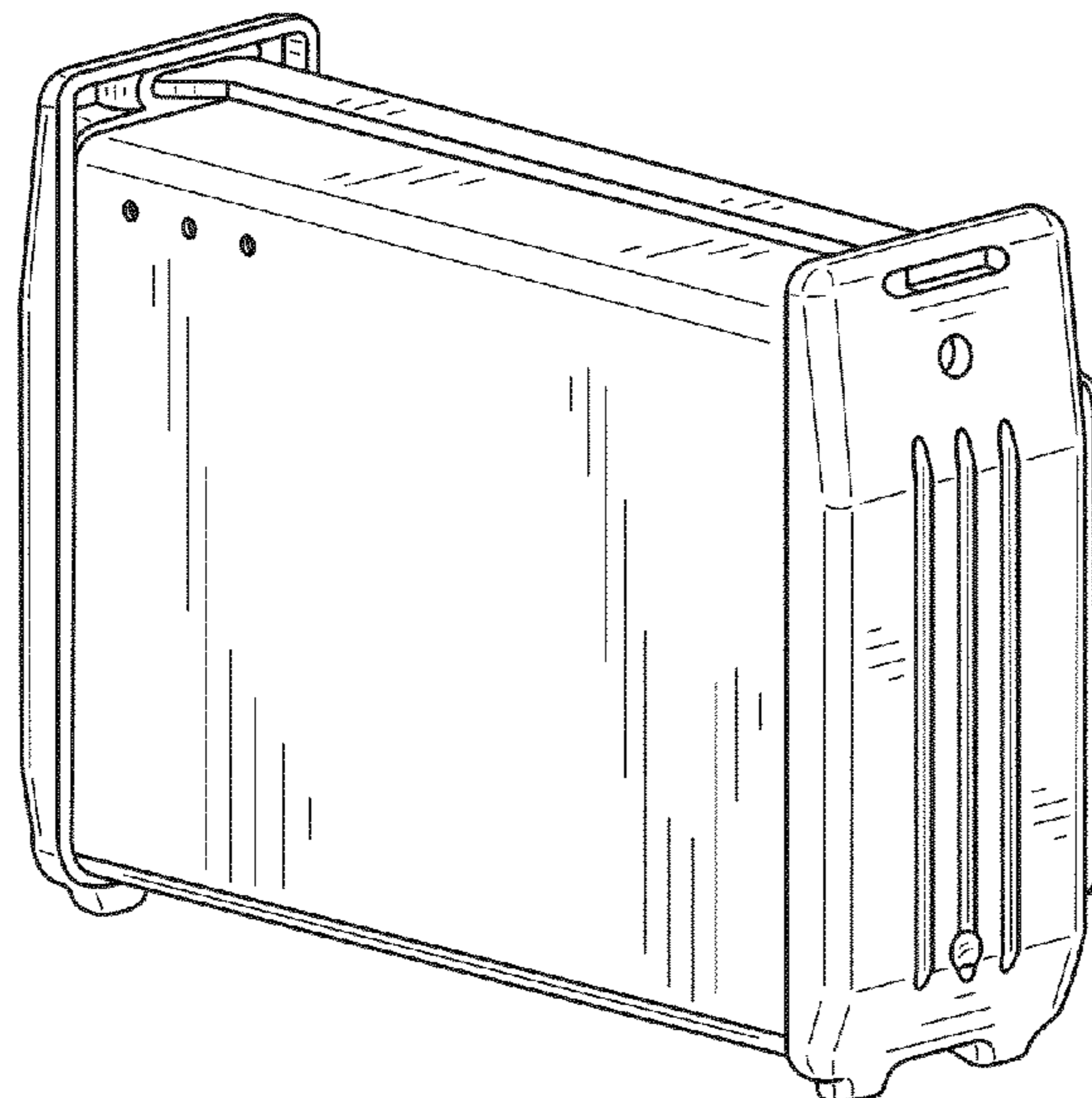
FIG. 4 is a first side view thereof;

FIG. 5 is a rear view thereof;

FIG. 6 is an opposite second side view thereof; and,

FIG. 7 is a front view thereof.

1 Claim, 3 Drawing Sheets



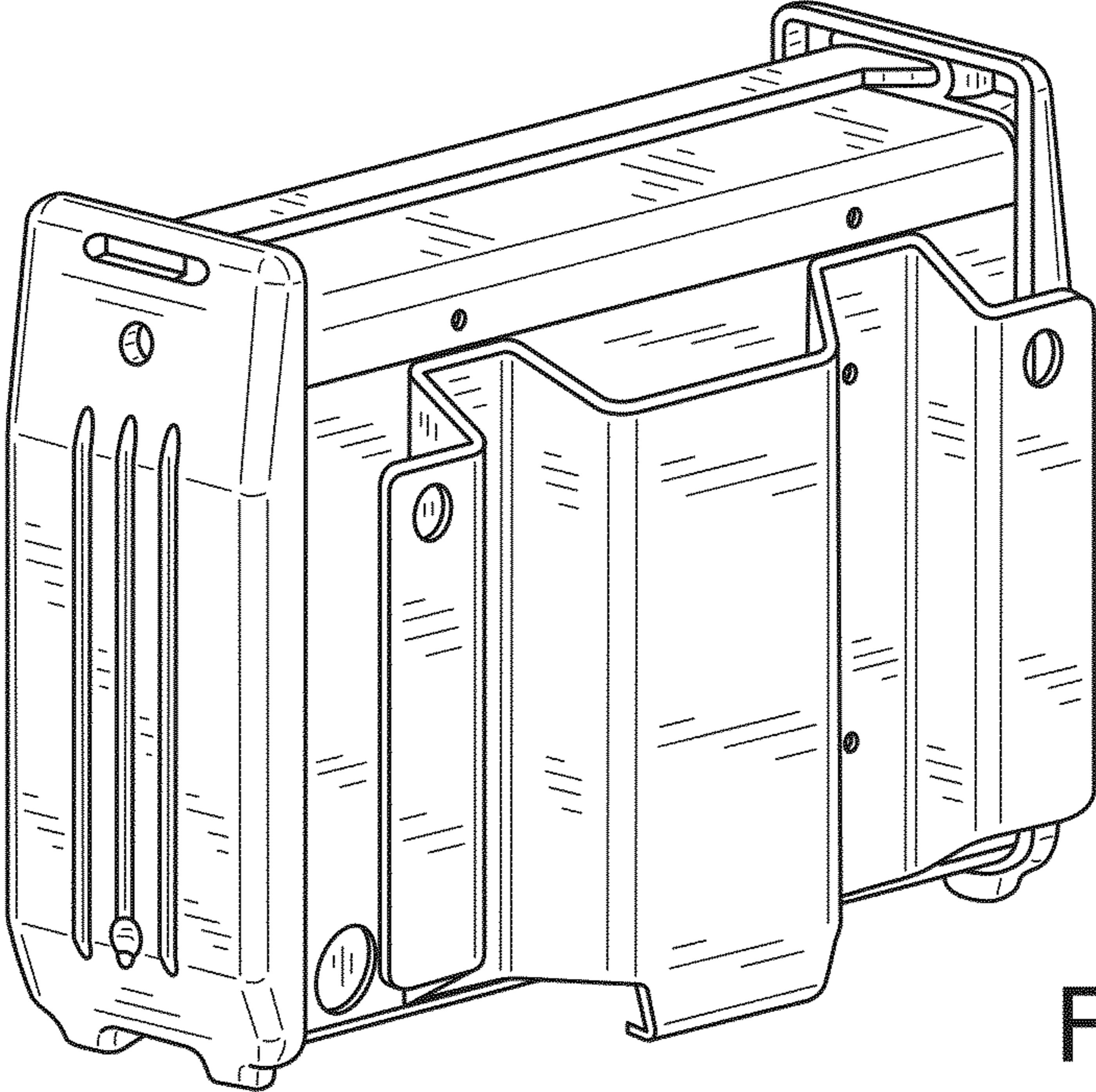


FIG. 1

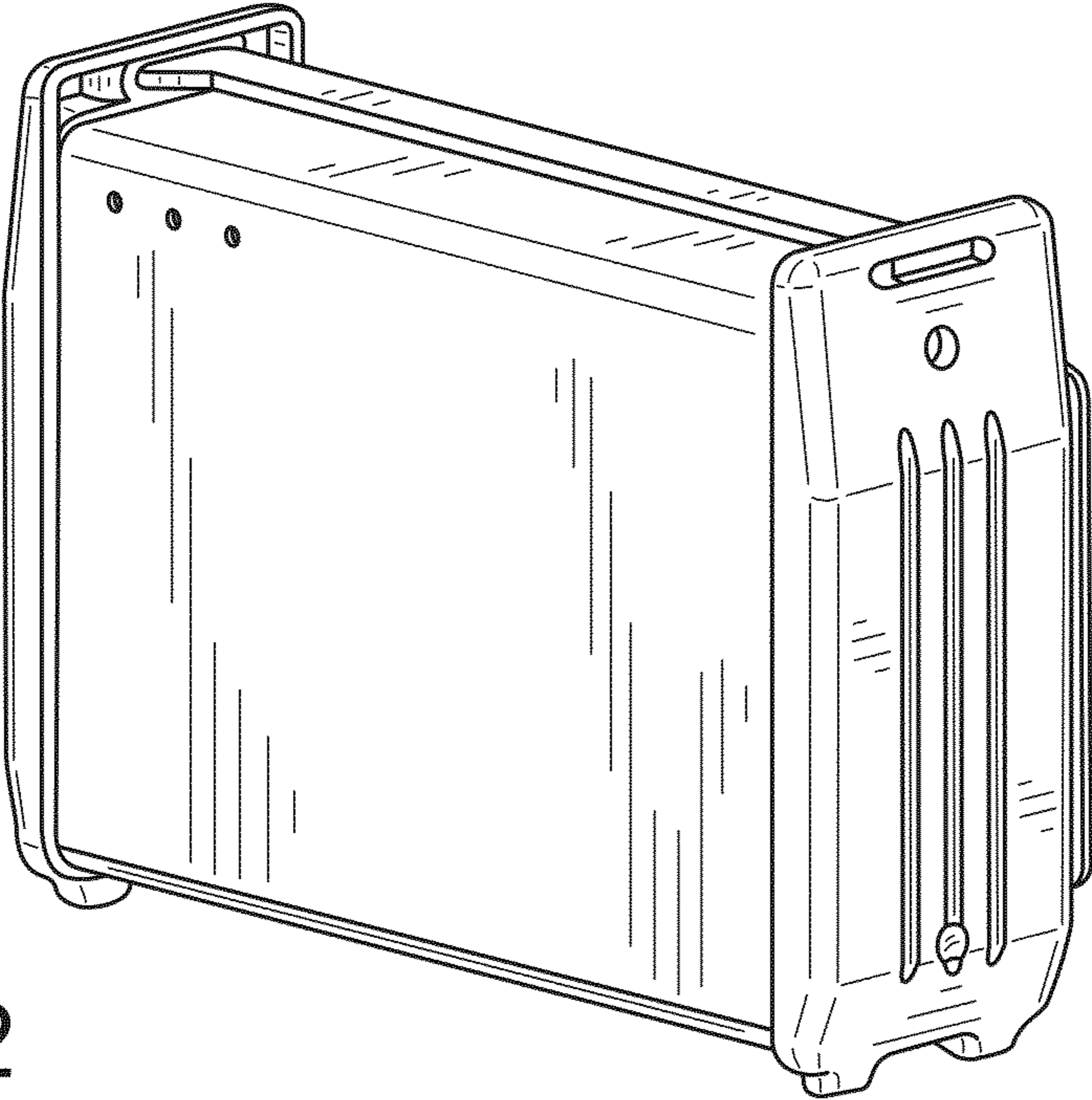


FIG. 2

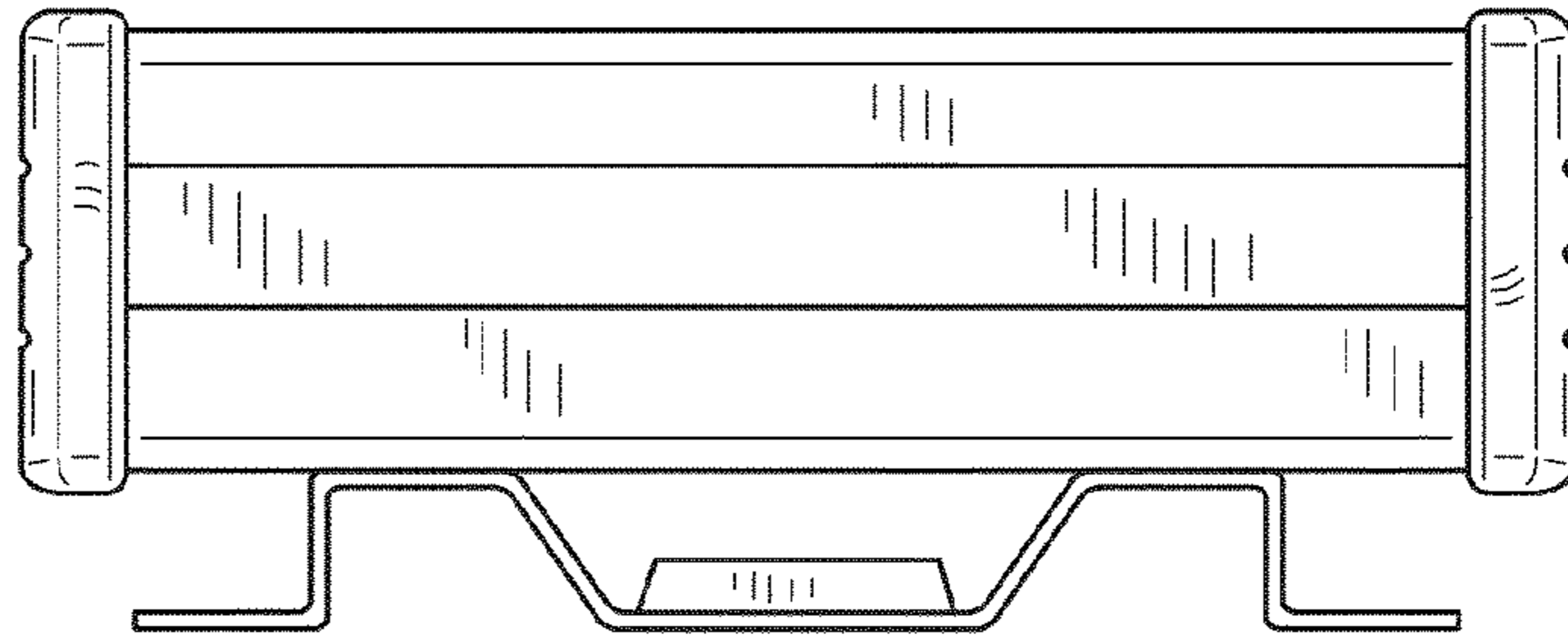


FIG.3

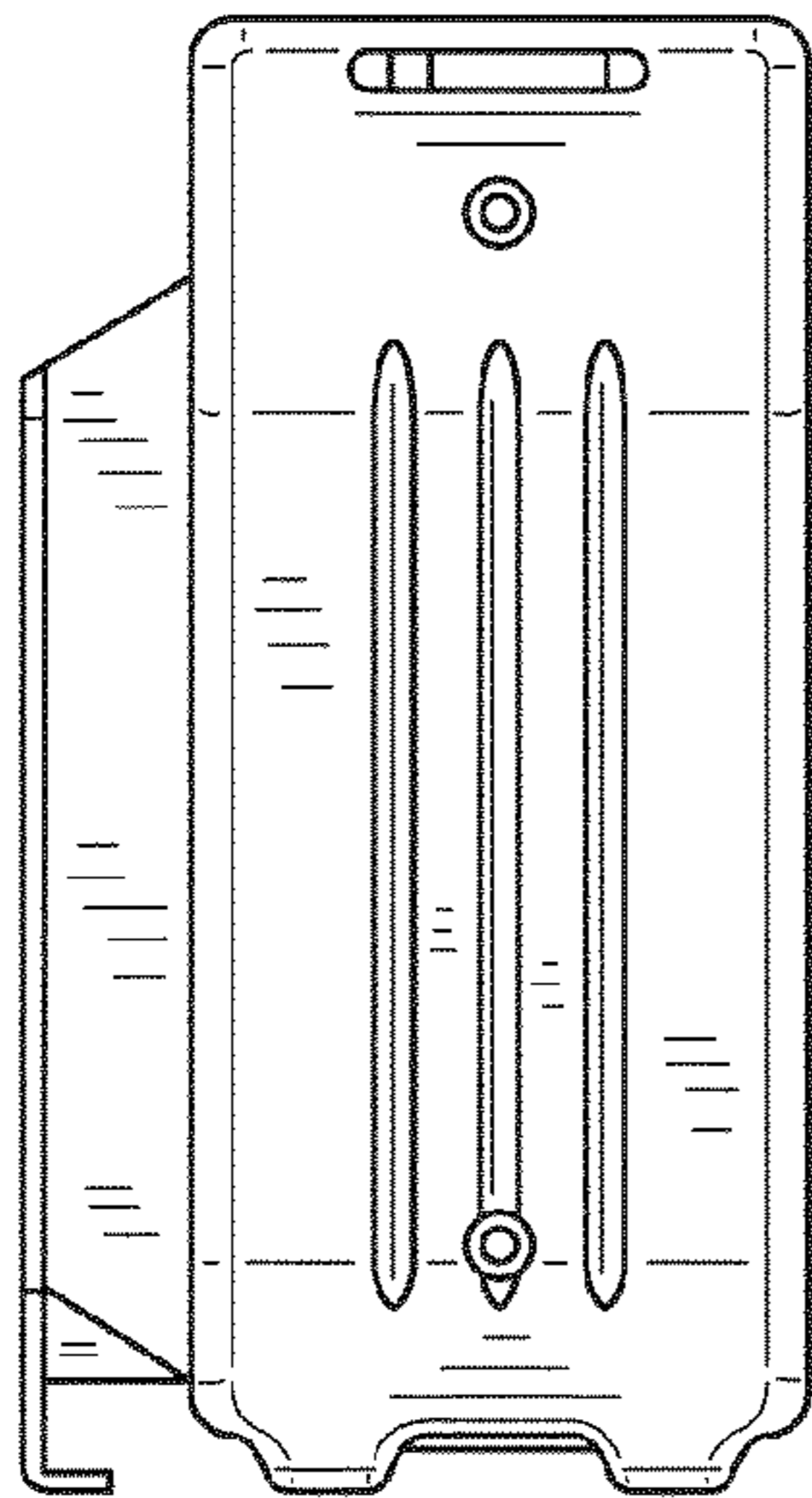


FIG.4

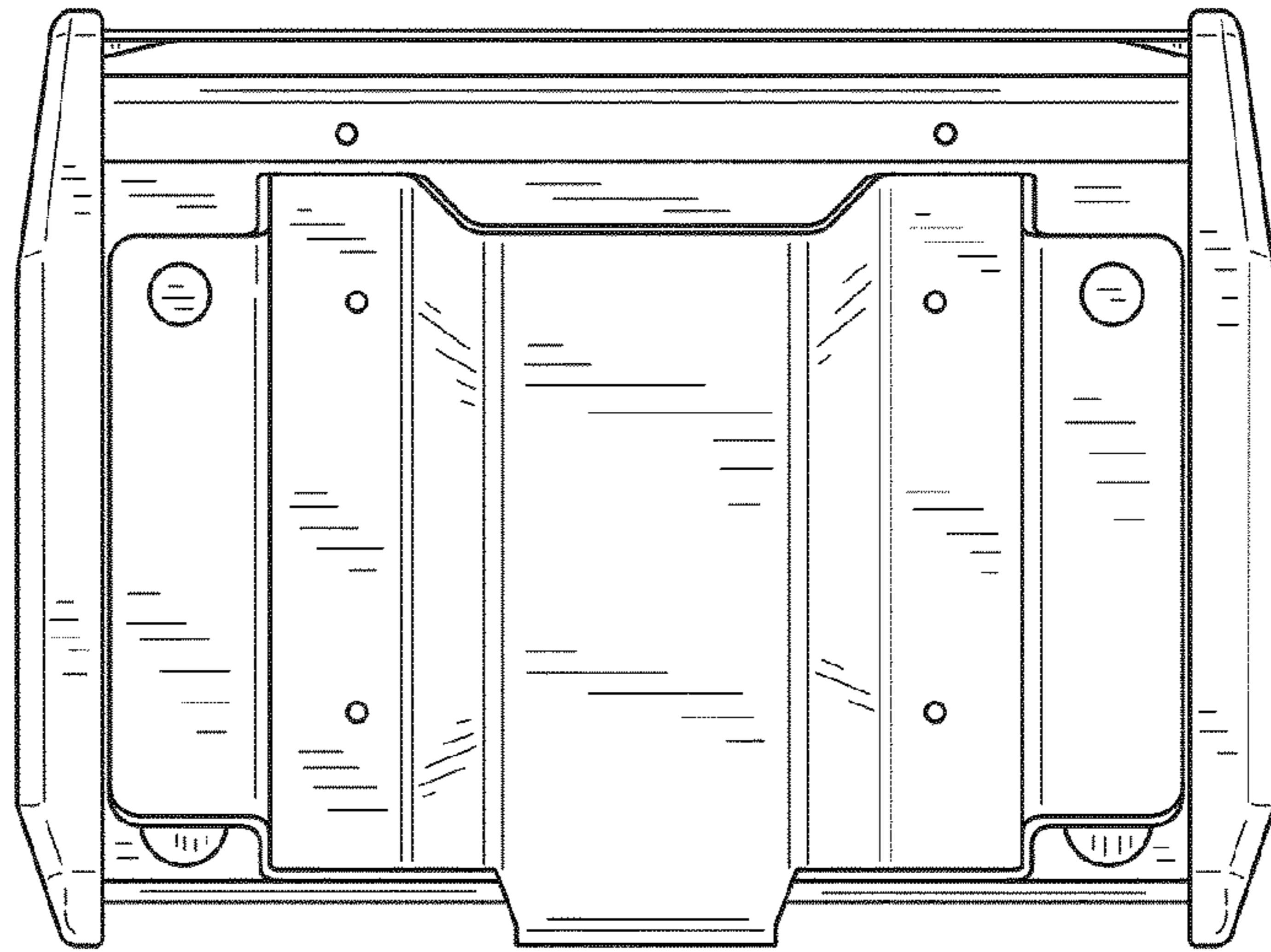


FIG.5

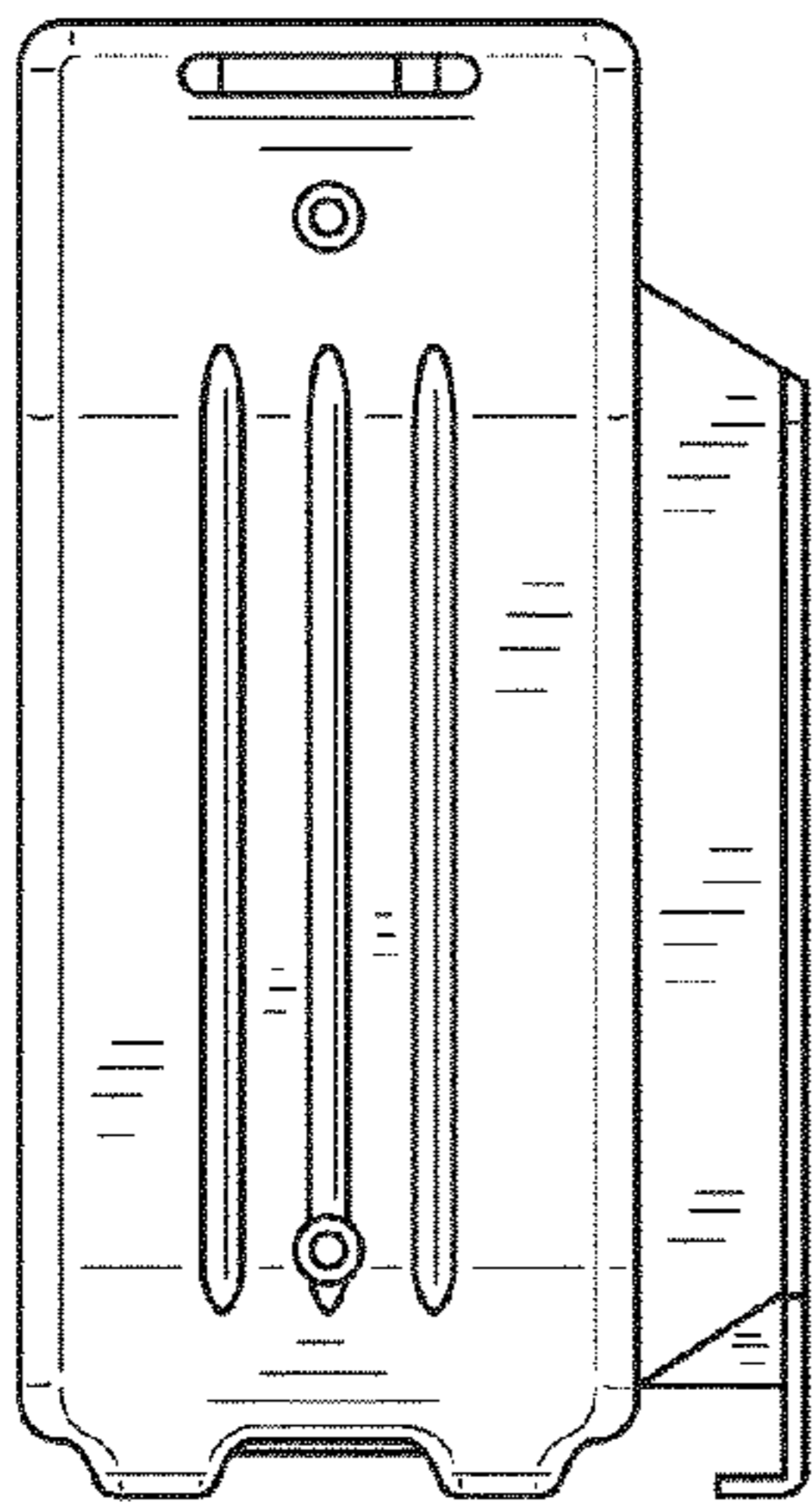


FIG. 6

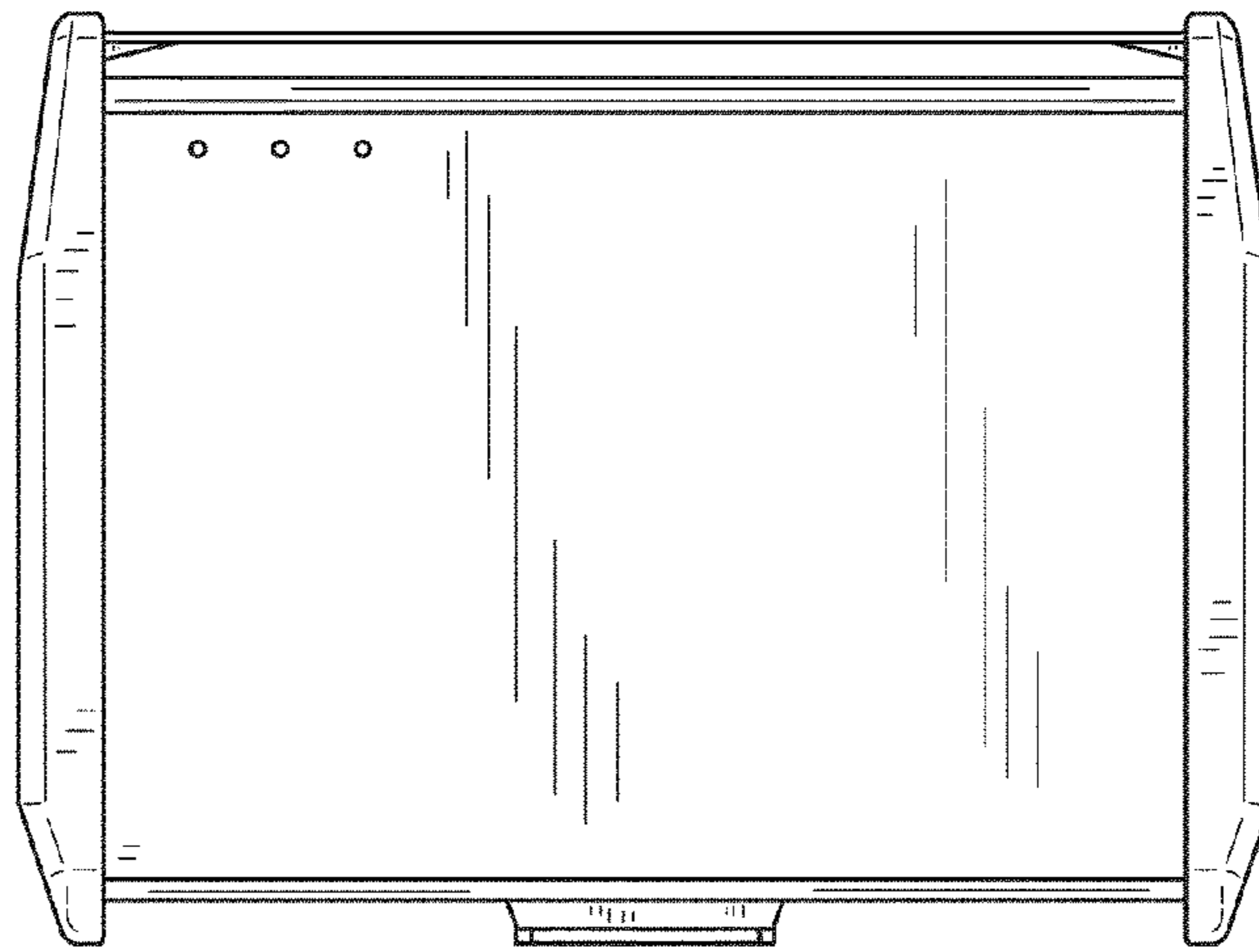


FIG. 7