



US00D687767S

(12) **United States Design Patent**
Nook et al.

(10) **Patent No.:** **US D687,767 S**

(45) **Date of Patent:** **** Aug. 13, 2013**

(54) **SOLAR PANEL**

(71) Applicants: **Jonathan Lewis Nook**, Gates Mills, OH (US); **William Knight Nook, Sr.**, Shaker Heights, OH (US); **James Richard Stanfield**, Peoria, AZ (US); **Derek Michael Underhill**, Tempe, AZ (US)

(72) Inventors: **Jonathan Lewis Nook**, Gates Mills, OH (US); **William Knight Nook, Sr.**, Shaker Heights, OH (US); **James Richard Stanfield**, Peoria, AZ (US); **Derek Michael Underhill**, Tempe, AZ (US)

(73) Assignee: **The Noco Company**, Glenwillow, OH (US)

(**) Term: **14 Years**

(21) Appl. No.: **29/441,098**

(22) Filed: **Dec. 31, 2012**

(51) **LOC (9) Cl.** **13-02**

(52) **U.S. Cl.**
USPC **D13/102**

(58) **Field of Classification Search**
USPC . D13/102, 101, 103, 107, 108, 199; 136/206, 136/243, 244, 245, 252; 320/101, 102, 114, 320/115, 120

See application file for complete search history.

(56) **References Cited**

U.S. PATENT DOCUMENTS

D391,921 S * 3/1998 Zimmer et al. D13/102
D510,316 S * 10/2005 Hayakawa D13/102

D530,269 S * 10/2006 Fowler et al. D13/102
D586,736 S * 2/2009 Fowler D13/102
D599,286 S * 9/2009 Horito et al. D13/102
D600,200 S * 9/2009 Dimov et al. D13/102
D617,265 S * 6/2010 Sasada et al. D13/102
D632,642 S * 2/2011 Chaney et al. D13/102
D647,048 S * 10/2011 Sasada et al. D13/102
D663,261 S * 7/2012 Cheung D13/102

* cited by examiner

Primary Examiner — Derrick Holland

(74) *Attorney, Agent, or Firm* — Vorys, Sater, Seymour and Pease LLP; William L. Klima

(57) **CLAIM**

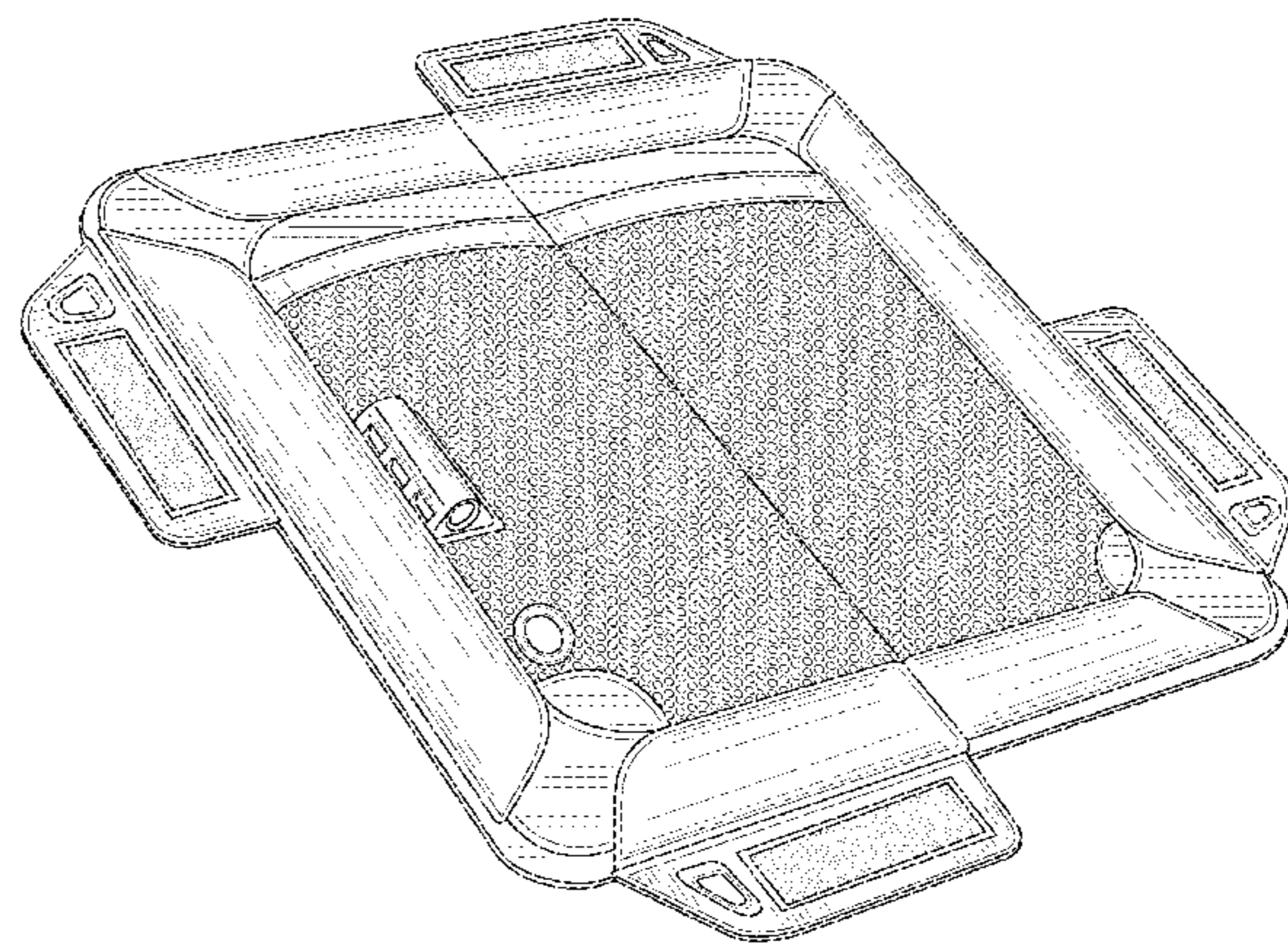
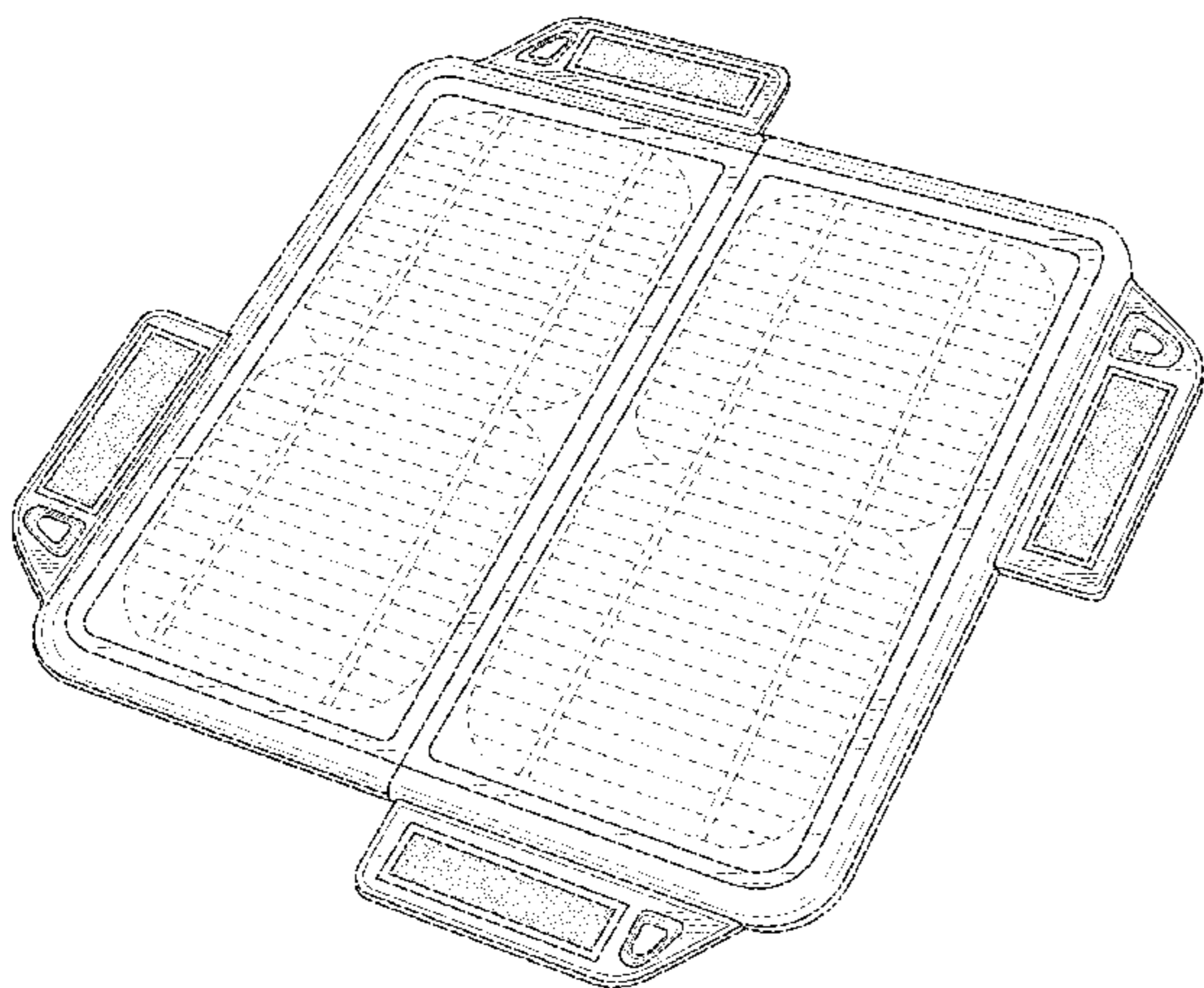
The ornamental design for a solar panel, as shown and described.

DESCRIPTION

FIG. 1 is a front perspective view for a solar panel;
FIG. 2 is a rear perspective view for a solar panel;
FIG. 3 is a front elevational view of the solar panel as seen in FIG. 1;
FIG. 4 is a rear elevational view of the solar panel as seen in FIG. 2;
FIG. 5 is a top-edge elevational view of the solar panel as seen in FIG. 2;
FIG. 6 is a bottom-edge elevational view of the solar panel as seen in FIG. 2;
FIG. 7 is a left-edge elevational view of the solar panel as seen in FIG. 2; and,
FIG. 8 is a right-edge elevational view of the solar panel as seen in FIG. 2.

The broken lines shown represent unclaimed subject matter and form no part of the claimed design.

1 Claim, 6 Drawing Sheets



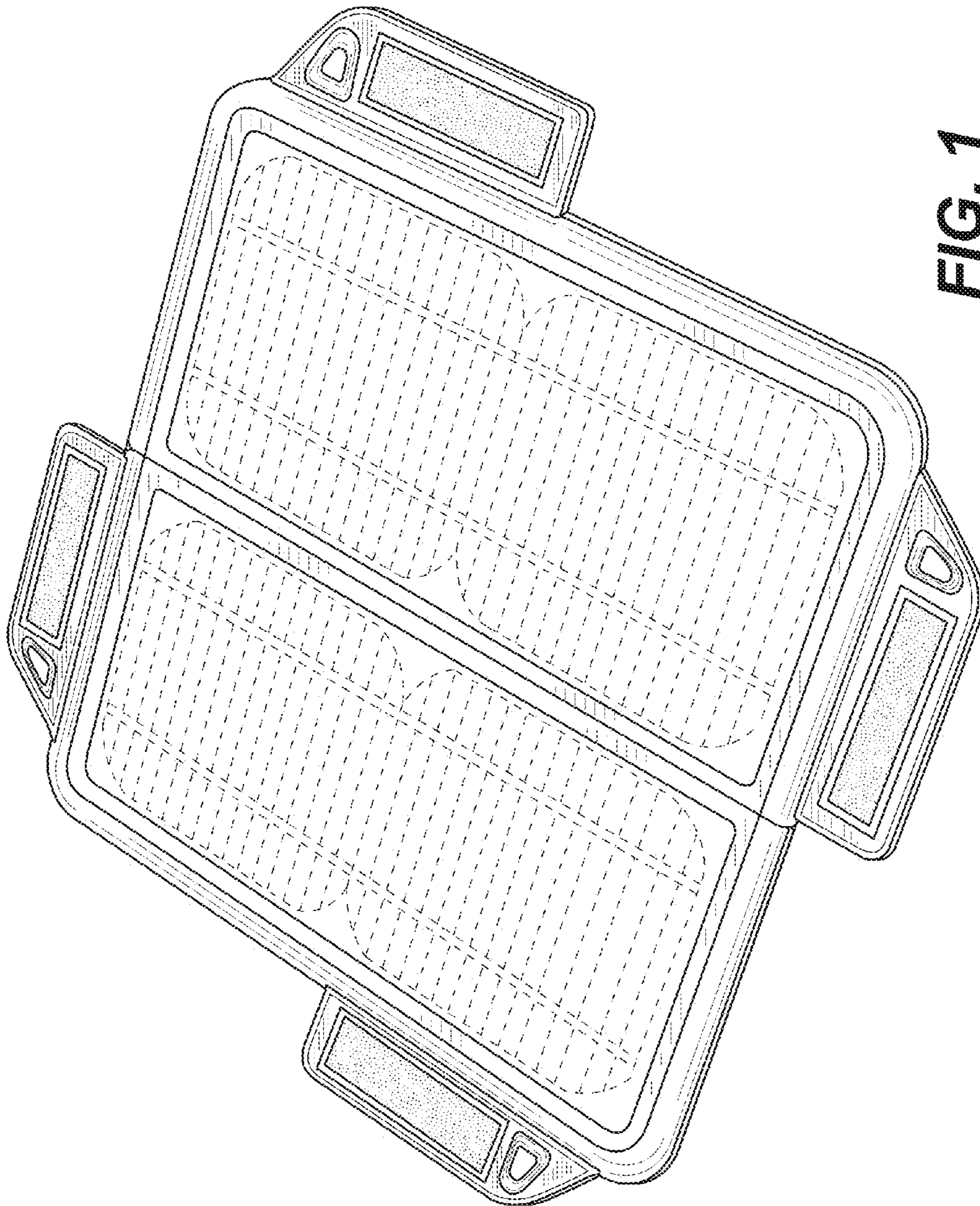


FIG. 1

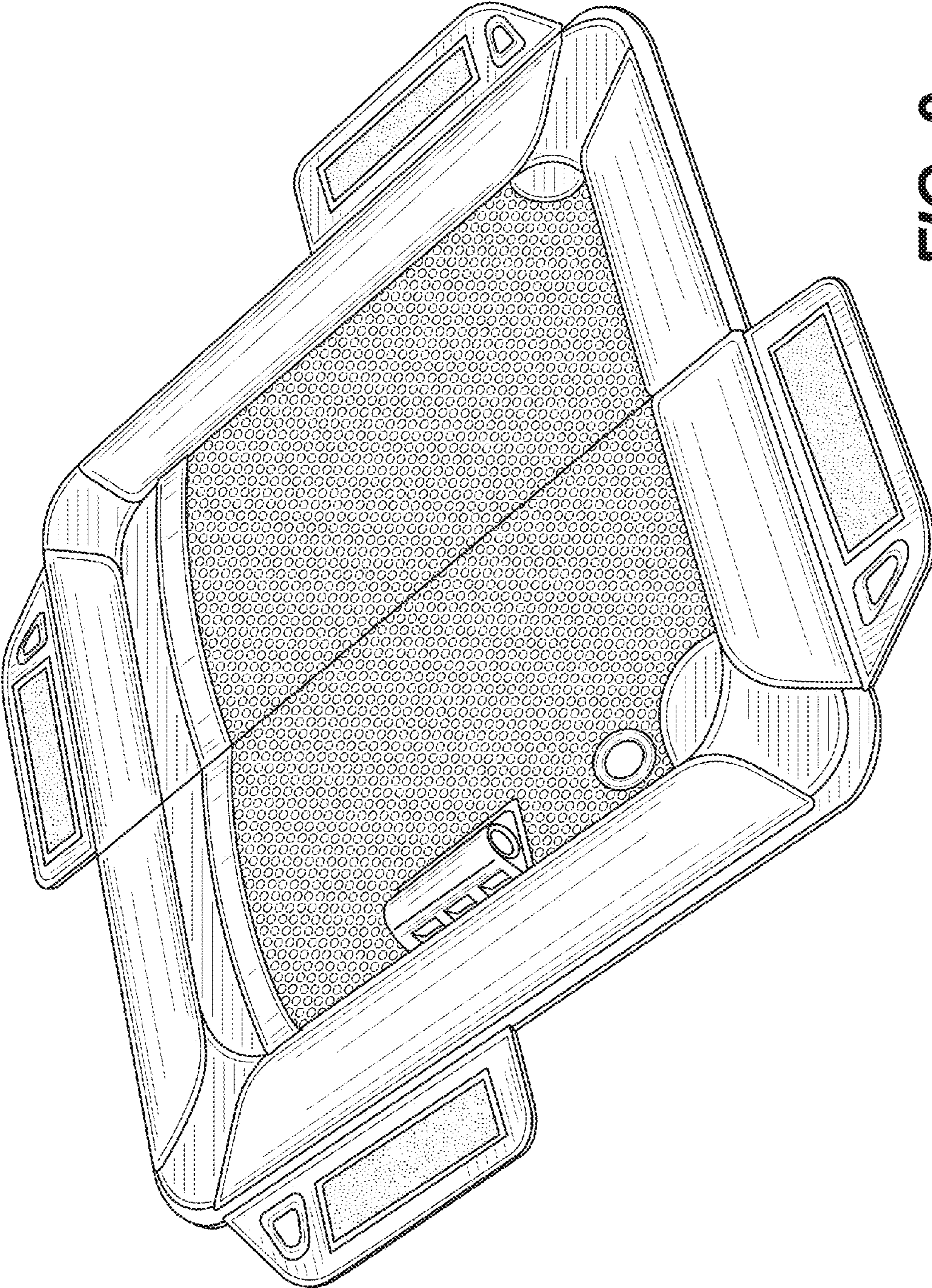


FIG. 2

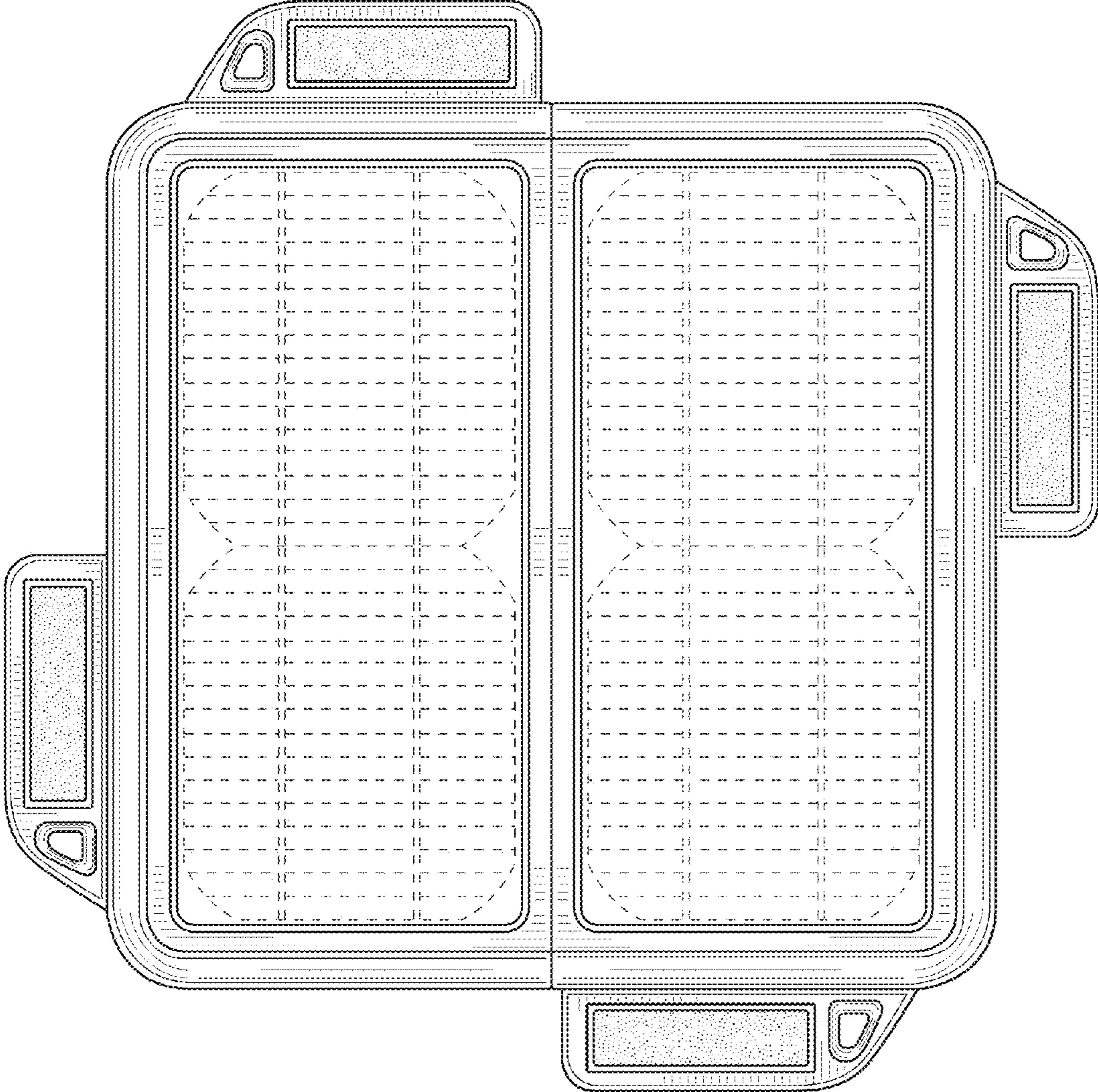


FIG. 3

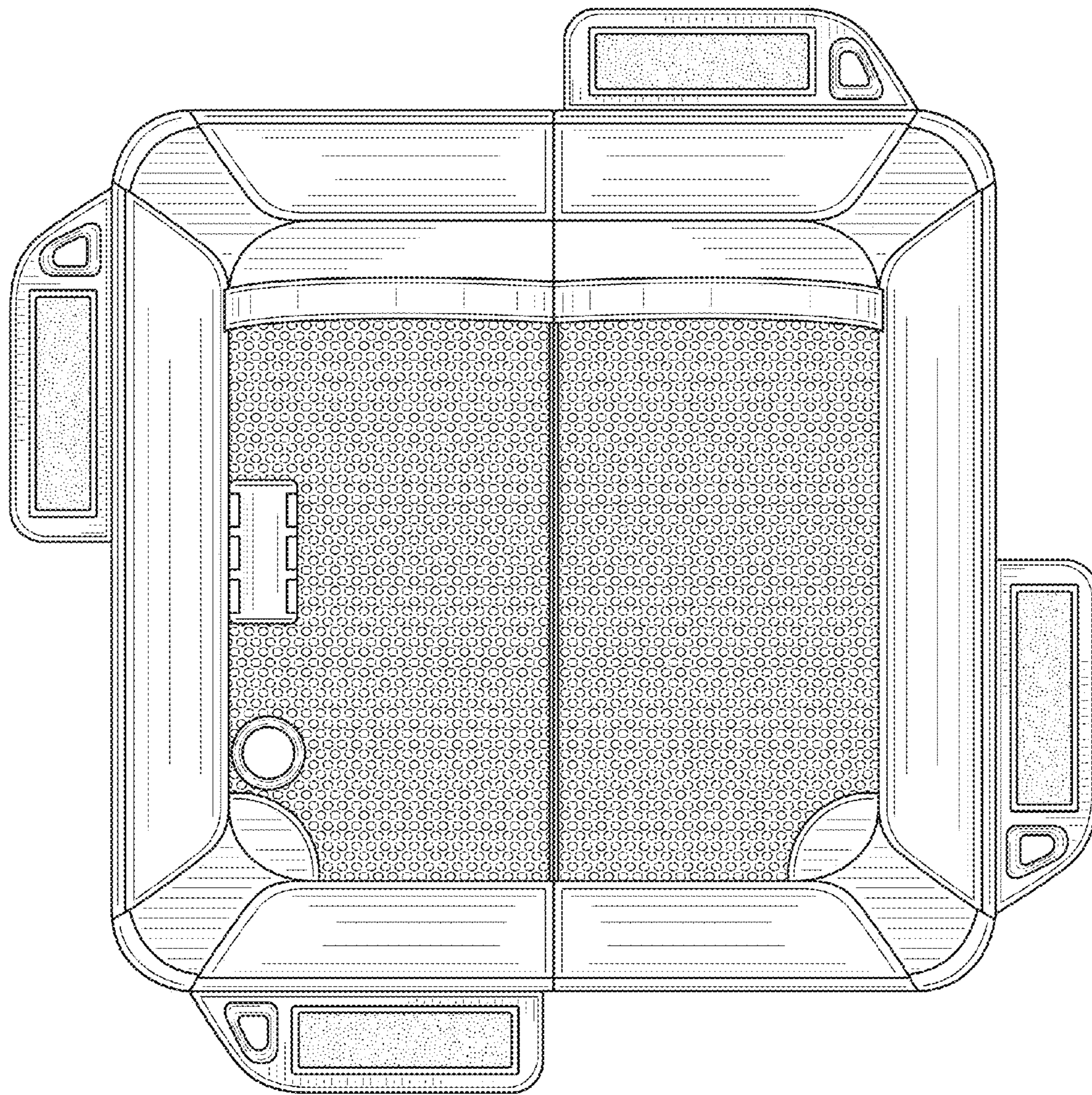


FIG. 4

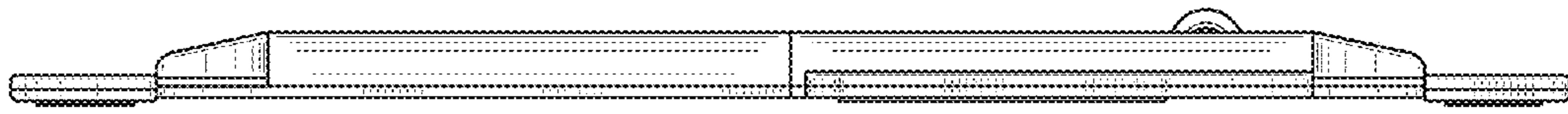


FIG. 5



FIG. 6

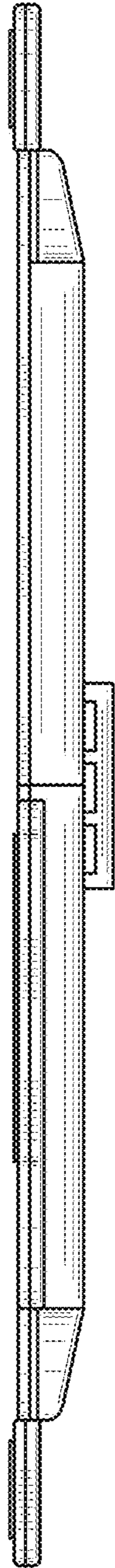


FIG. 7

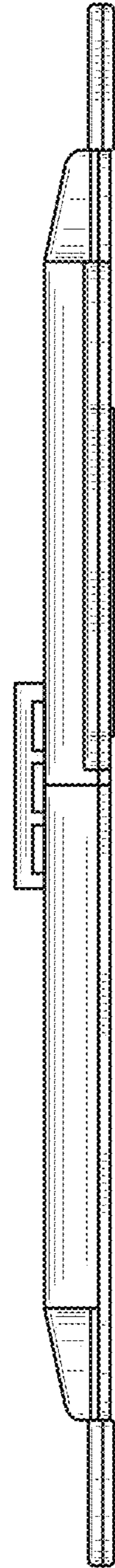


FIG. 8