



US00D687766S

(12) **United States Design Patent**  
**Hsu**

(10) **Patent No.:** **US D687,766 S**

(45) **Date of Patent:** **\*\* Aug. 13, 2013**

(54) **SOLAR POWER CASE**

(75) Inventor: **Po-Jung Hsu**, Fremont, CA (US)

(73) Assignee: **Wagan Corp.**, Hayward, CA (US)

(\*\*) Term: **14 Years**

(21) Appl. No.: **29/394,123**

(22) Filed: **Jun. 13, 2011**

(51) **LOC (9) Cl.** ..... **13-02**

(52) **U.S. Cl.**  
USPC ..... **D13/102**

(58) **Field of Classification Search**  
USPC ..... D13/102, 101, 103, 106, 110, 116,  
D13/184, 199; D3/272, 276, 279, 281, 294;  
136/241-252; 190/18 A, 100, 104, 115;  
320/101, 102, 114, 115, 120

See application file for complete search history.

(56) **References Cited**

**U.S. PATENT DOCUMENTS**

5,522,943	A	*	6/1996	Spencer et al.	.....	136/245
D378,164	S	*	2/1997	Lee	.....	D3/276
D400,162	S	*	10/1998	Lam	.....	D13/107
D490,051	S	*	5/2004	Kikumoto	.....	D13/102
D516,501	S	*	3/2006	Ware, Jr.	.....	D13/102
D528,501	S	*	9/2006	Lam	.....	D13/102

D536,299	S	*	2/2007	Lam	.....	D13/102
D574,655	S	*	8/2008	Perella et al.	.....	D6/634
D588,534	S	*	3/2009	Sharma et al.	.....	D13/102
D642,513	S	*	8/2011	Chen	.....	D13/102

\* cited by examiner

*Primary Examiner* — Derrick Holland

(74) *Attorney, Agent, or Firm* — Michael K. Bosworth;  
IPxLAW Group LLP

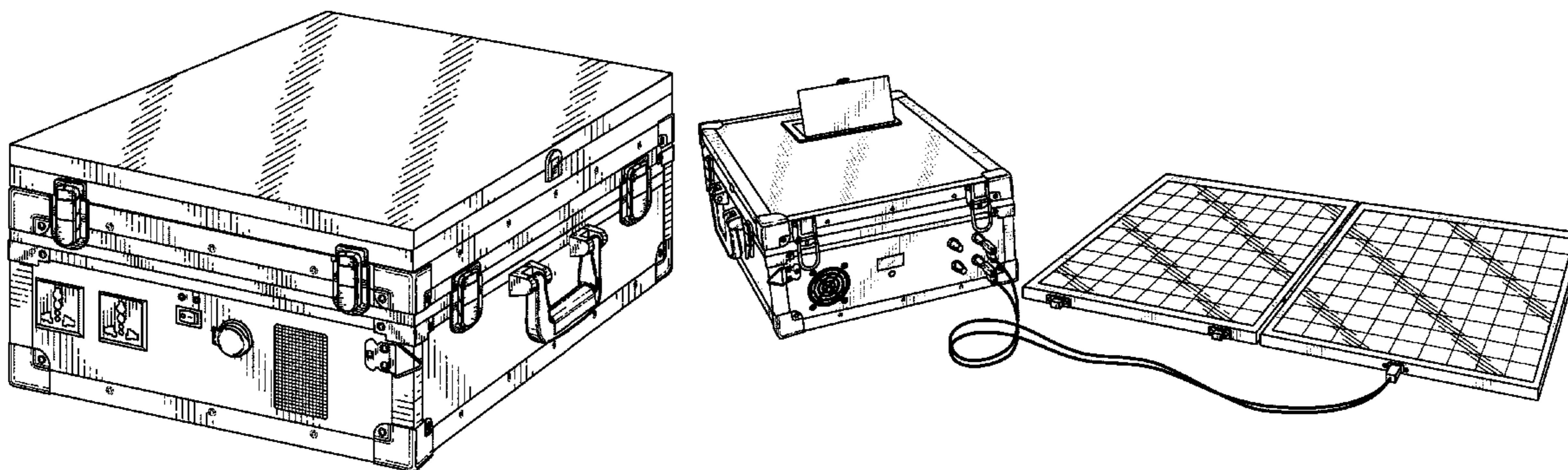
(57) **CLAIM**

The ornamental design for a solar power case, as shown and described.

**DESCRIPTION**

FIG. 1 is a front perspective view of the solar power case; FIG. 2 is a front view of the solar power case; FIG. 3 is a back view of the solar power case; FIG. 4 is a top view of the solar power case; FIG. 5 is a bottom view of the solar power case; FIG. 6 is a right view of the solar power case; FIG. 7 is a left view of the solar power case; and, FIG. 8 is a rear perspective view of the solar power case with solar panels from the top of the case removed and deployed. The broken lines shown represent unclaimed subject matter and form no part of the claimed design.

**1 Claim, 8 Drawing Sheets**



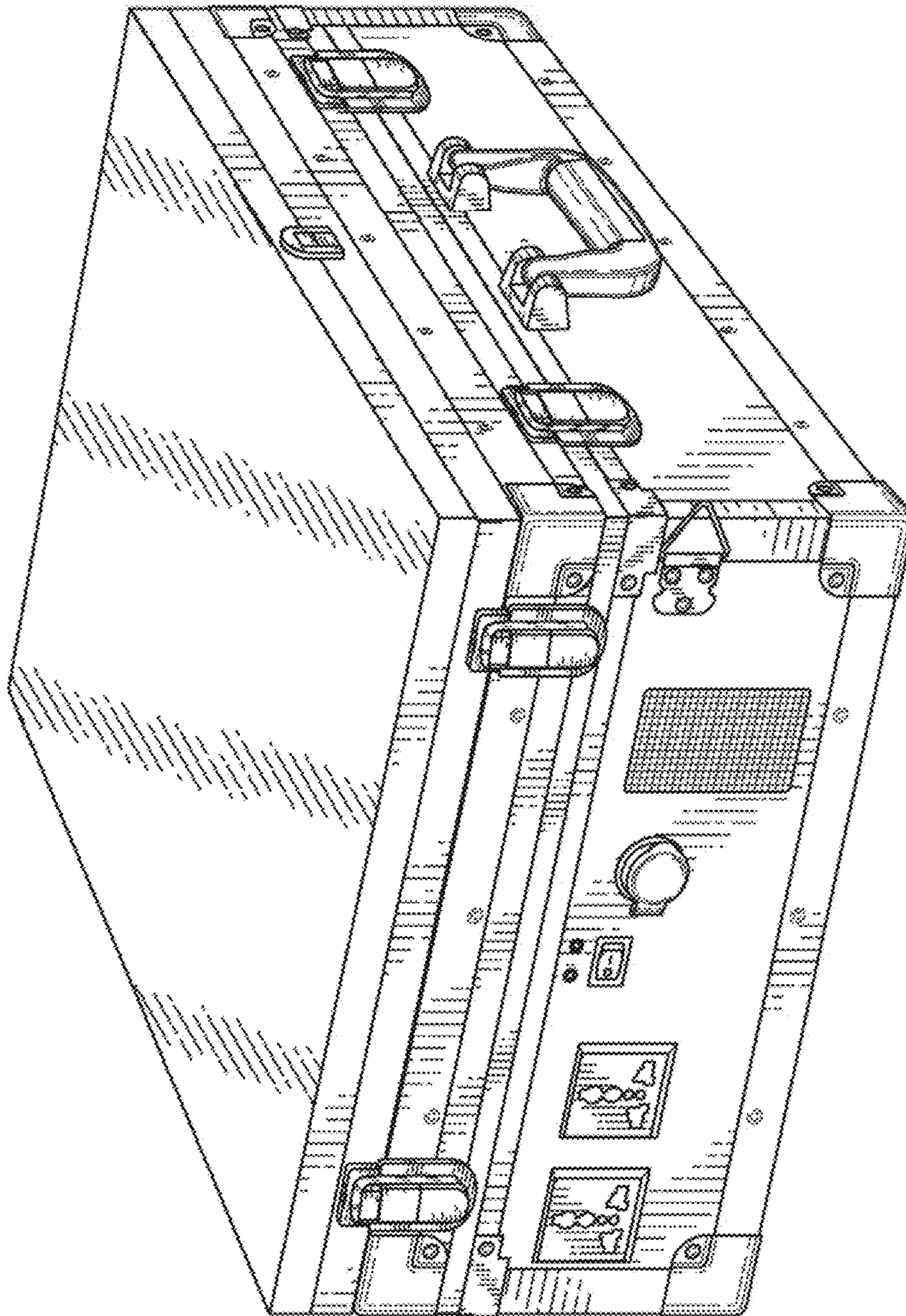


FIG. 1

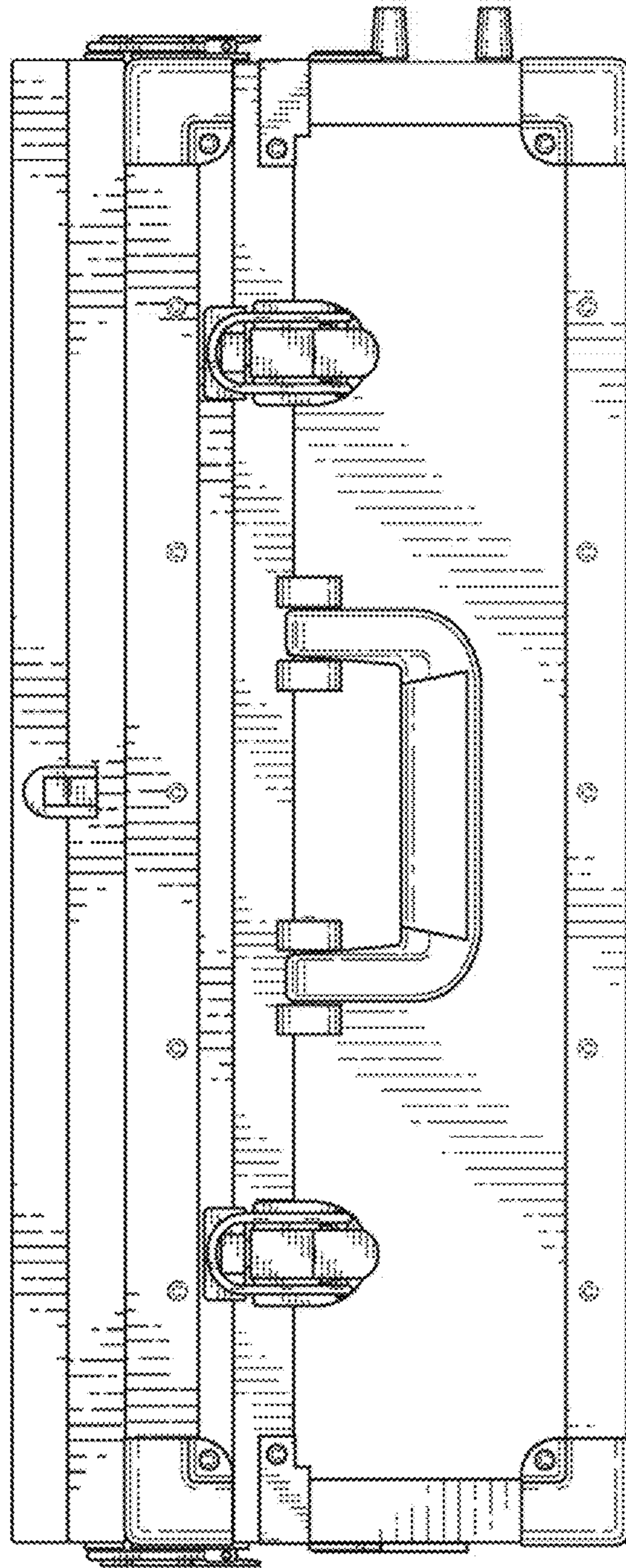


FIG. 2

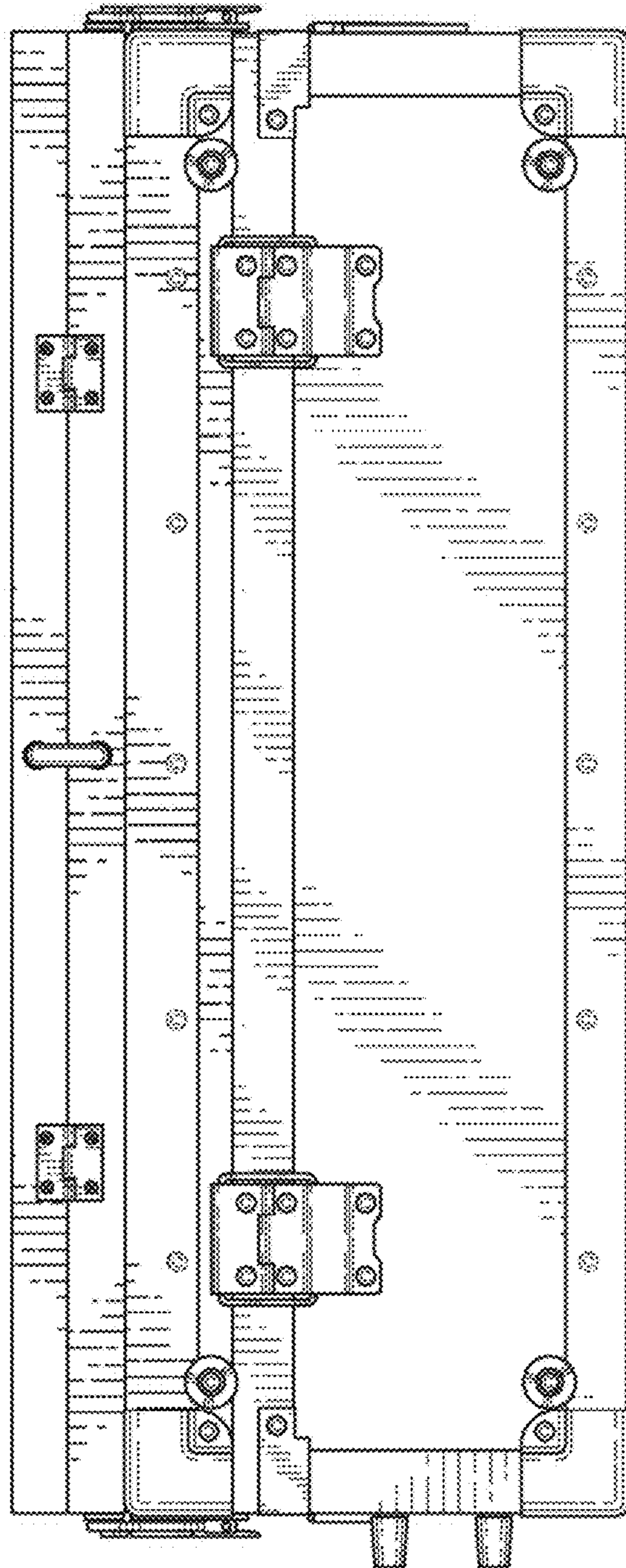


FIG. 3

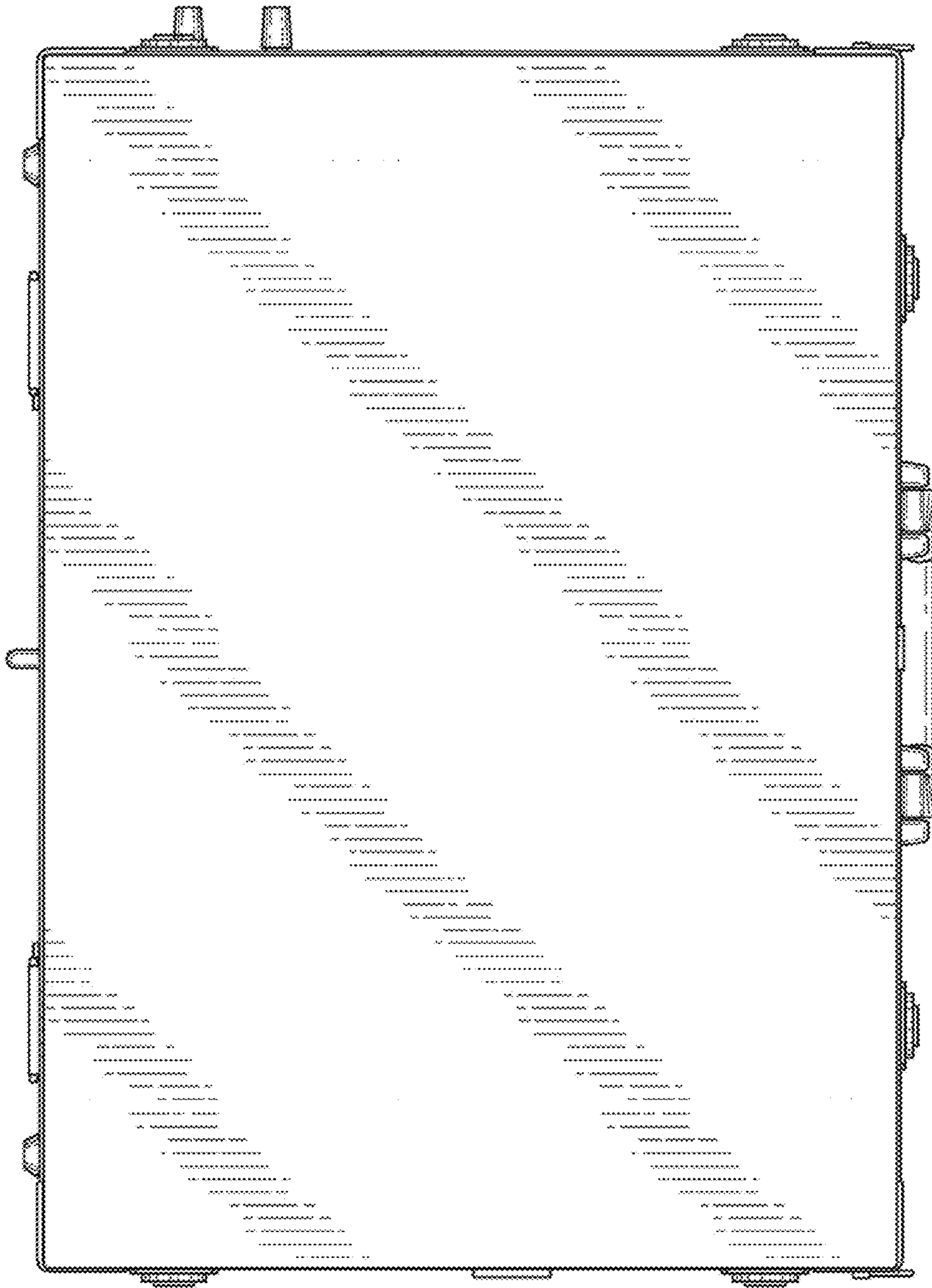


FIG. 4

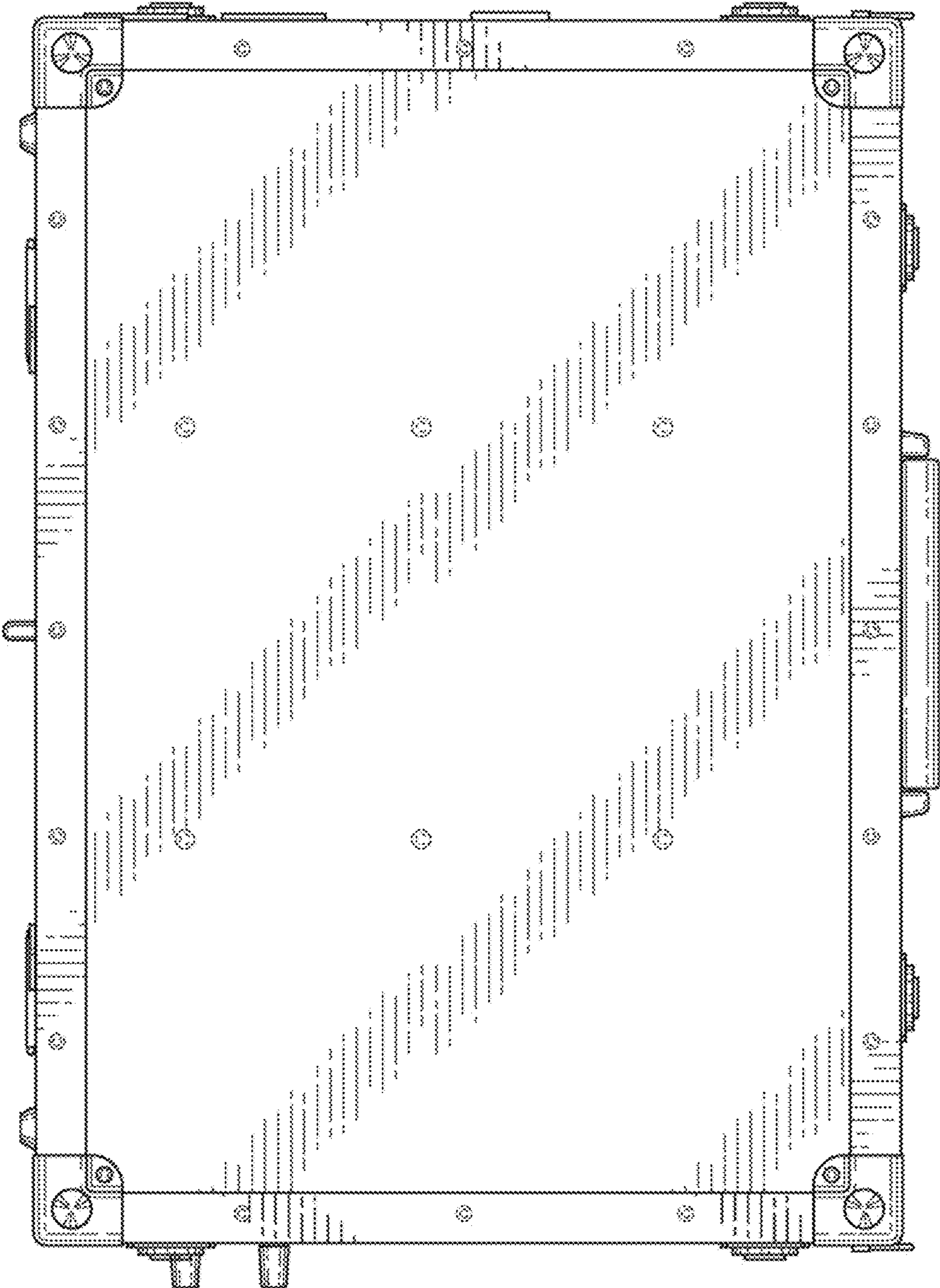


FIG. 5

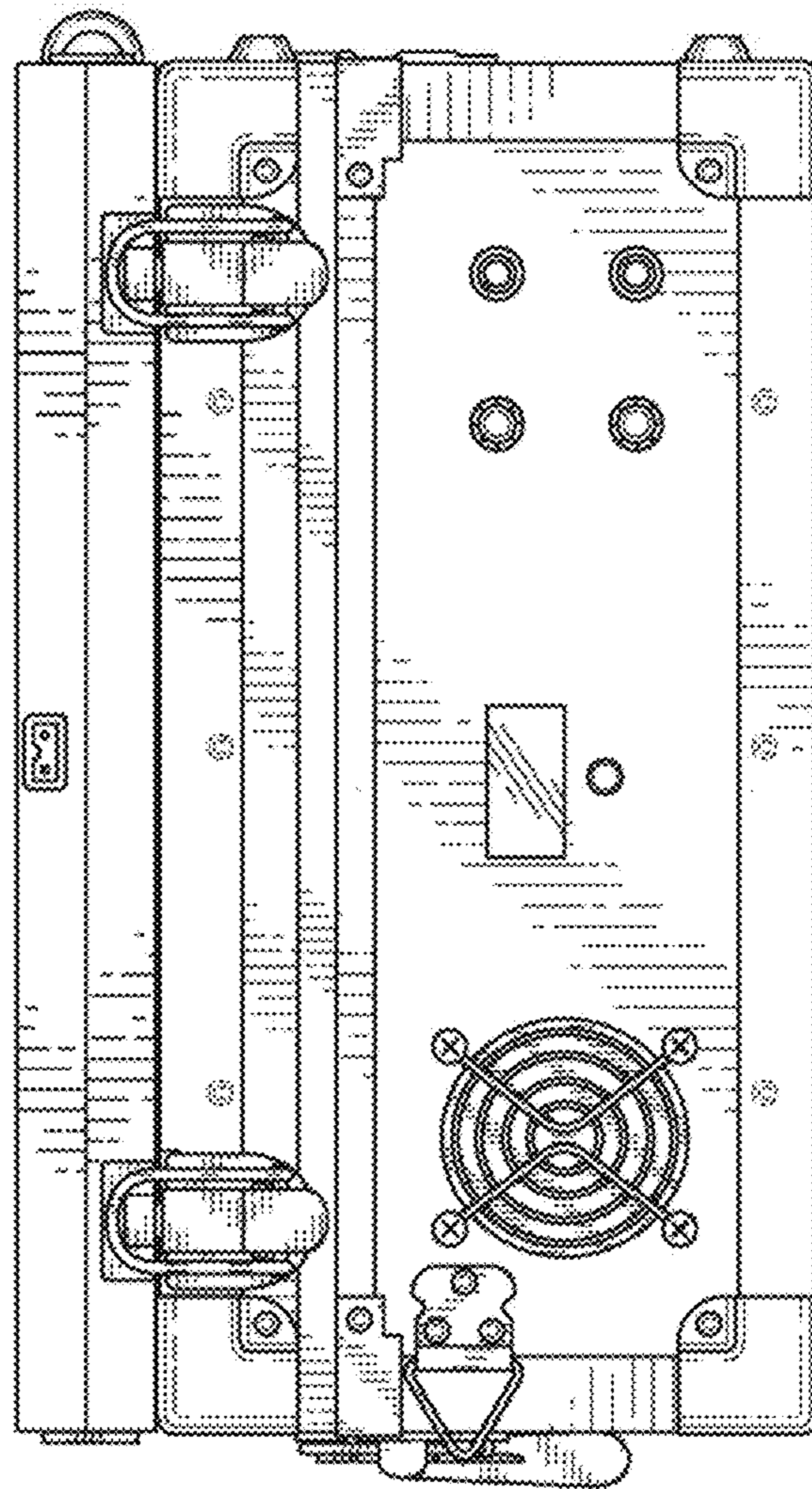


FIG. 6

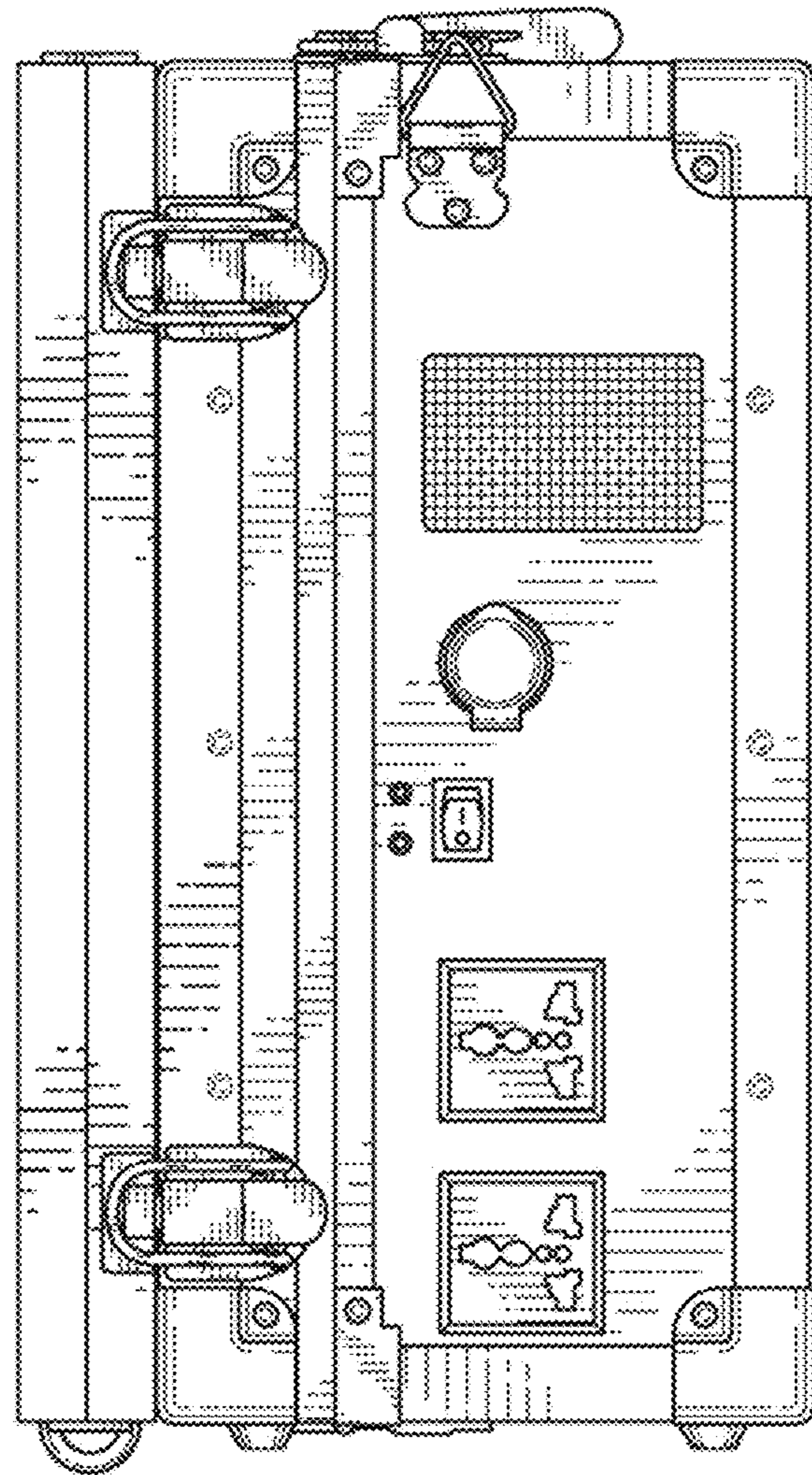


FIG. 7



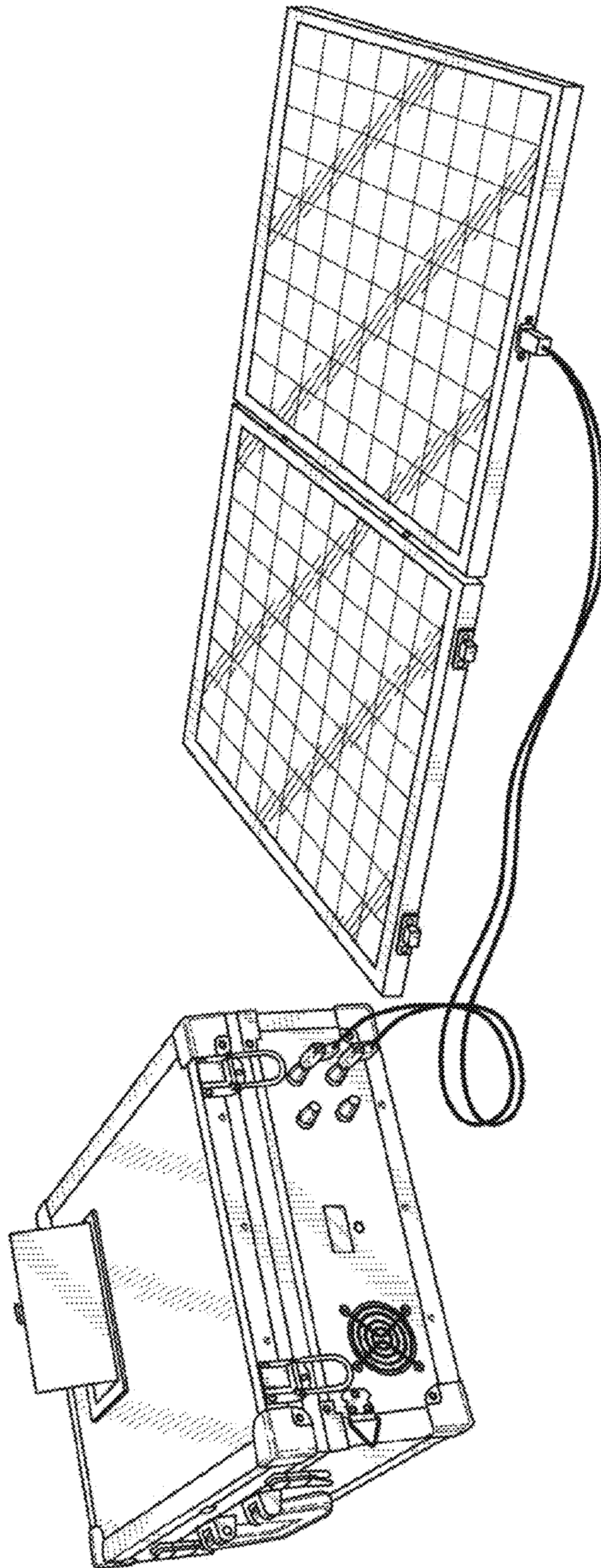


FIG. 8