

US00D687763S

(12) **United States Design Patent**
Hany et al.

(10) **Patent No.:** **US D687,763 S**

(45) **Date of Patent:** **** Aug. 13, 2013**

(54) **ALL-TERRAIN VEHICLE RACK**

(71) Applicants: **Matt Hany**, Normal, IL (US); **Robert Vericella**, Bloomington, IL (US)

(72) Inventors: **Matt Hany**, Normal, IL (US); **Robert Vericella**, Bloomington, IL (US)

(**) Term: **14 Years**

(21) Appl. No.: **29/444,167**

(22) Filed: **Jan. 27, 2013**

(51) **LOC (9) Cl.** **12-11**

(52) **U.S. Cl.**
USPC **D12/408**

(58) **Field of Classification Search**
USPC D12/406-408; 224/413, 419, 42.11,
224/488, 489, 511-521, 523, 924, 401; 211/17;
280/288.4, 202
See application file for complete search history.

(56) **References Cited**

U.S. PATENT DOCUMENTS

D294,564 S *	3/1988	Stoecker	D12/408
4,856,686 A *	8/1989	Workentine	224/497
D337,087 S *	7/1993	Peterman et al.	D12/408
6,237,824 B1 *	5/2001	Bagley	224/521
D602,420 S *	10/2009	Kuschmeader et al.	D12/408

D625,247 S *	10/2010	Flaherty et al.	D12/408
D635,087 S *	3/2011	Flaherty et al.	D12/408
2006/0243769 A1 *	11/2006	Lovey et al.	224/517

* cited by examiner

Primary Examiner — Susan M Lee

Assistant Examiner — Linda G Brooks

(74) *Attorney, Agent, or Firm* — QuickPatents; Kevin Prince

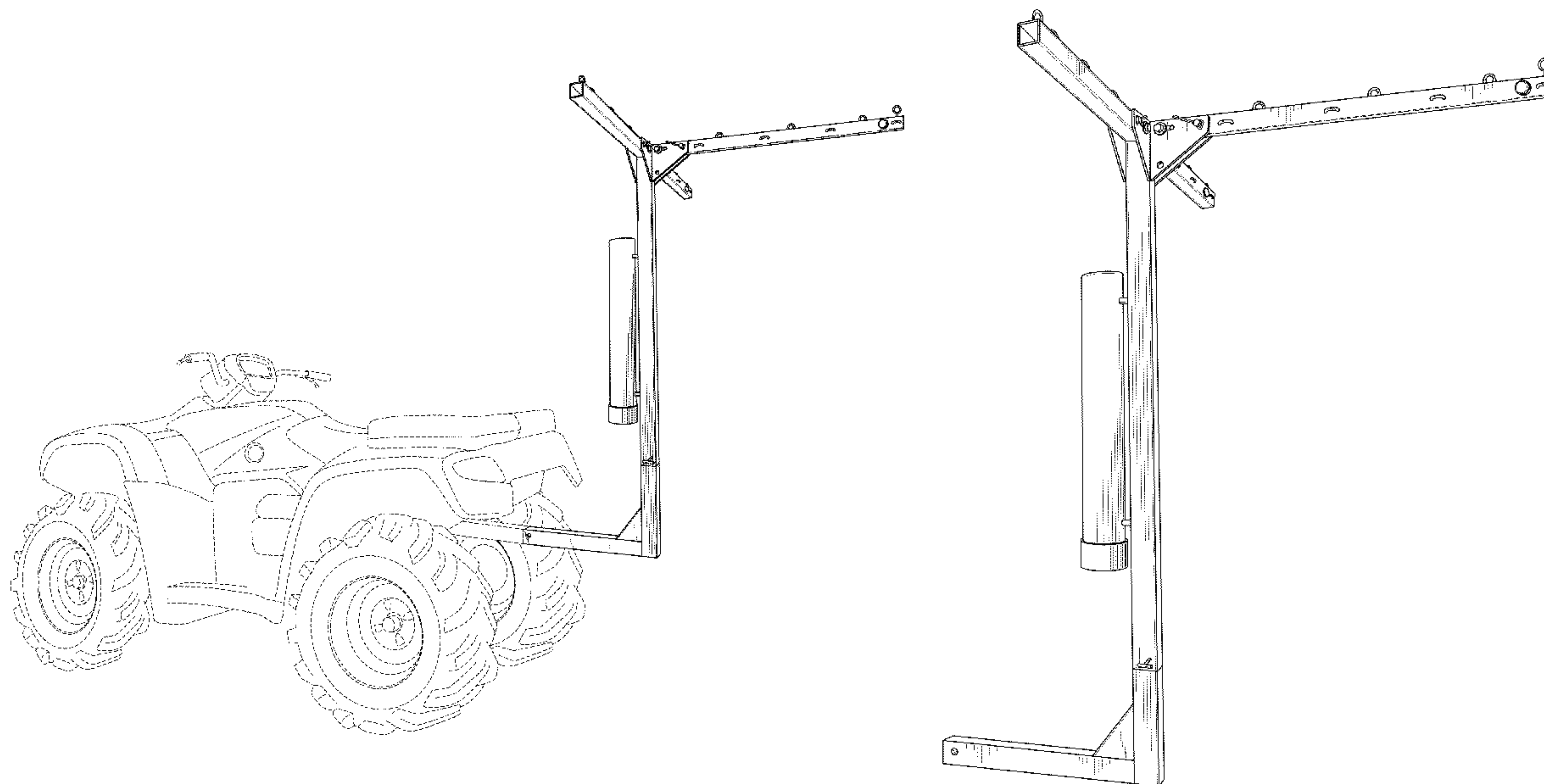
(57) **CLAIM**

We claim the ornamental design for an all-terrain vehicle rack, as shown and described.

DESCRIPTION

FIG. 1 is a rear perspective view of an all-terrain vehicle rack, showing our new design;
FIG. 2 is an enlarged rear perspective view thereof;
FIG. 3 is a left-side elevational view thereof;
FIG. 4 is a right-side elevational view thereof;
FIG. 5 is a rear elevational view thereof;
FIG. 6 is a front elevational view thereof;
FIG. 7 is a top plan view thereof; and,
FIG. 8 is a bottom plan view thereof.
The broken lines showing an all-terrain vehicle in FIG. 1 depict environmental matter and form no part of the claimed design.

1 Claim, 8 Drawing Sheets



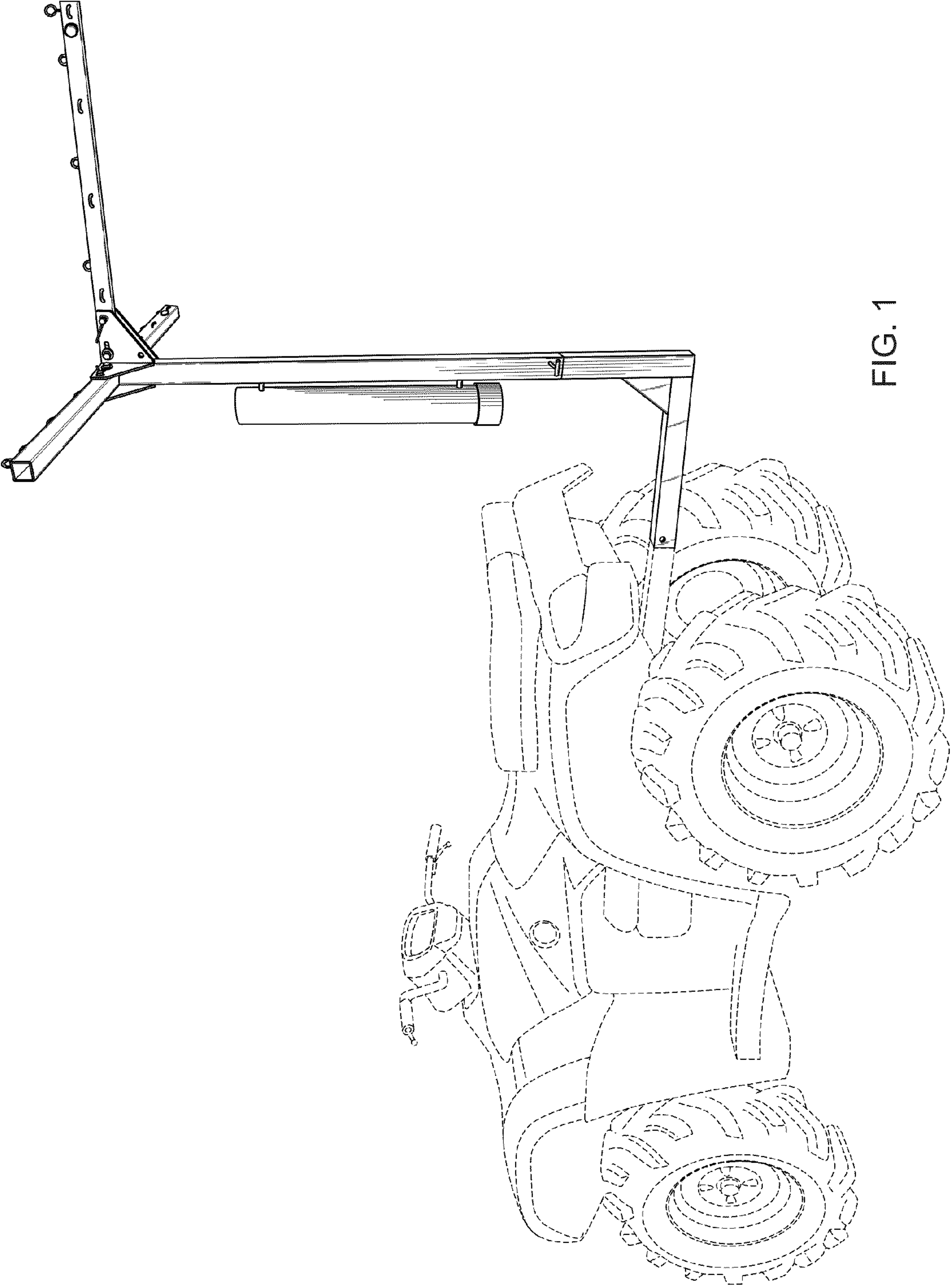


FIG. 1

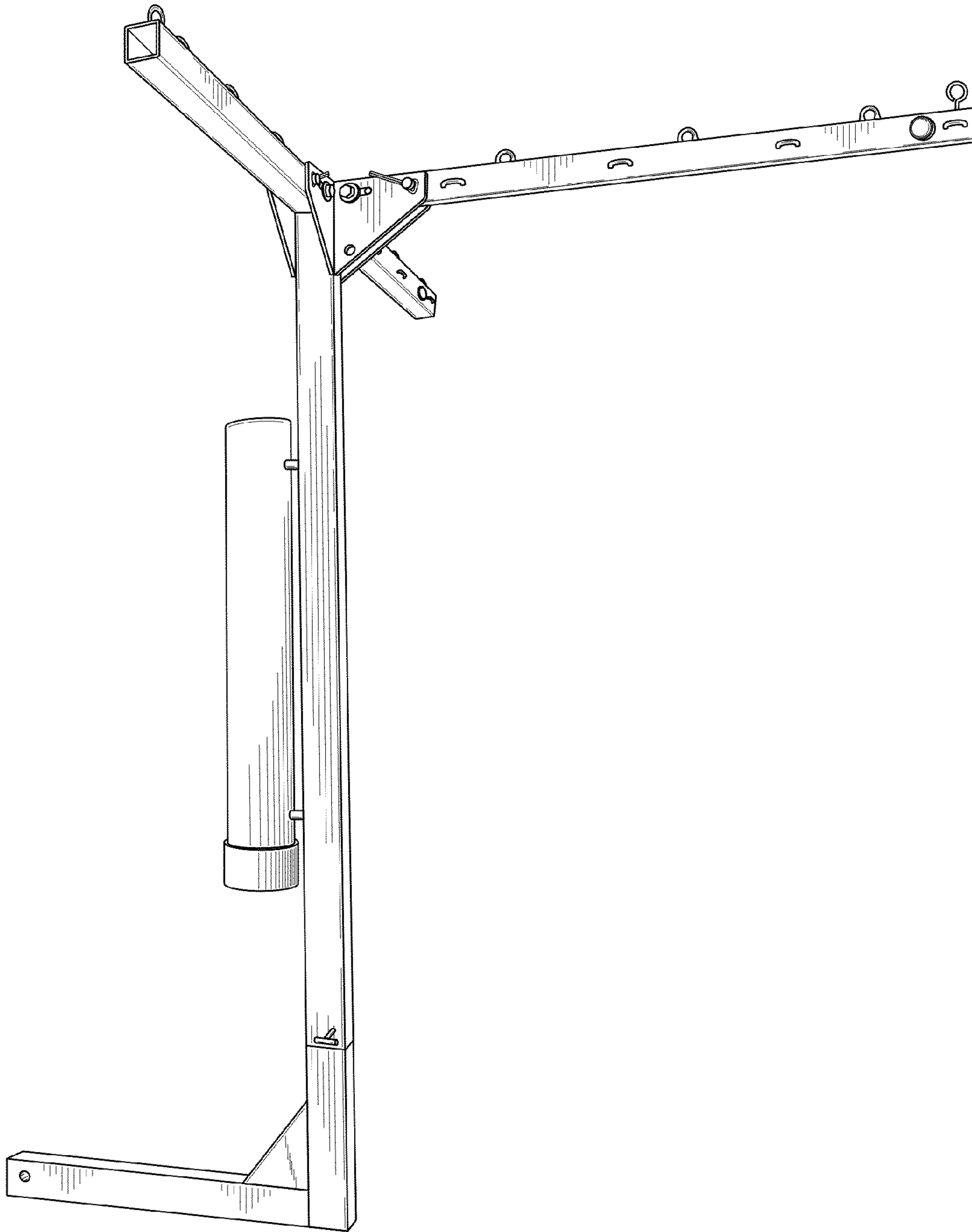


FIG. 2

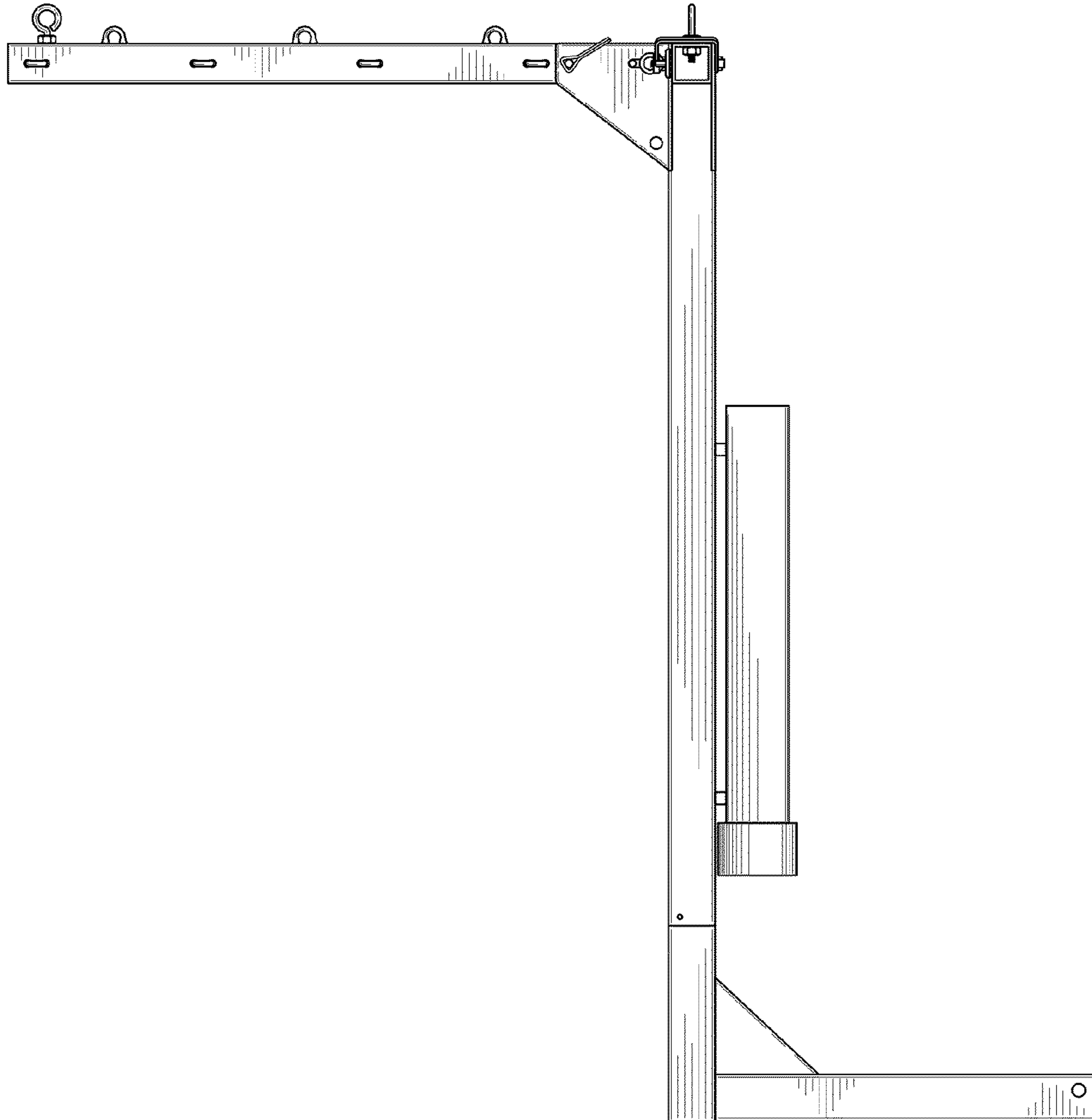


FIG. 3

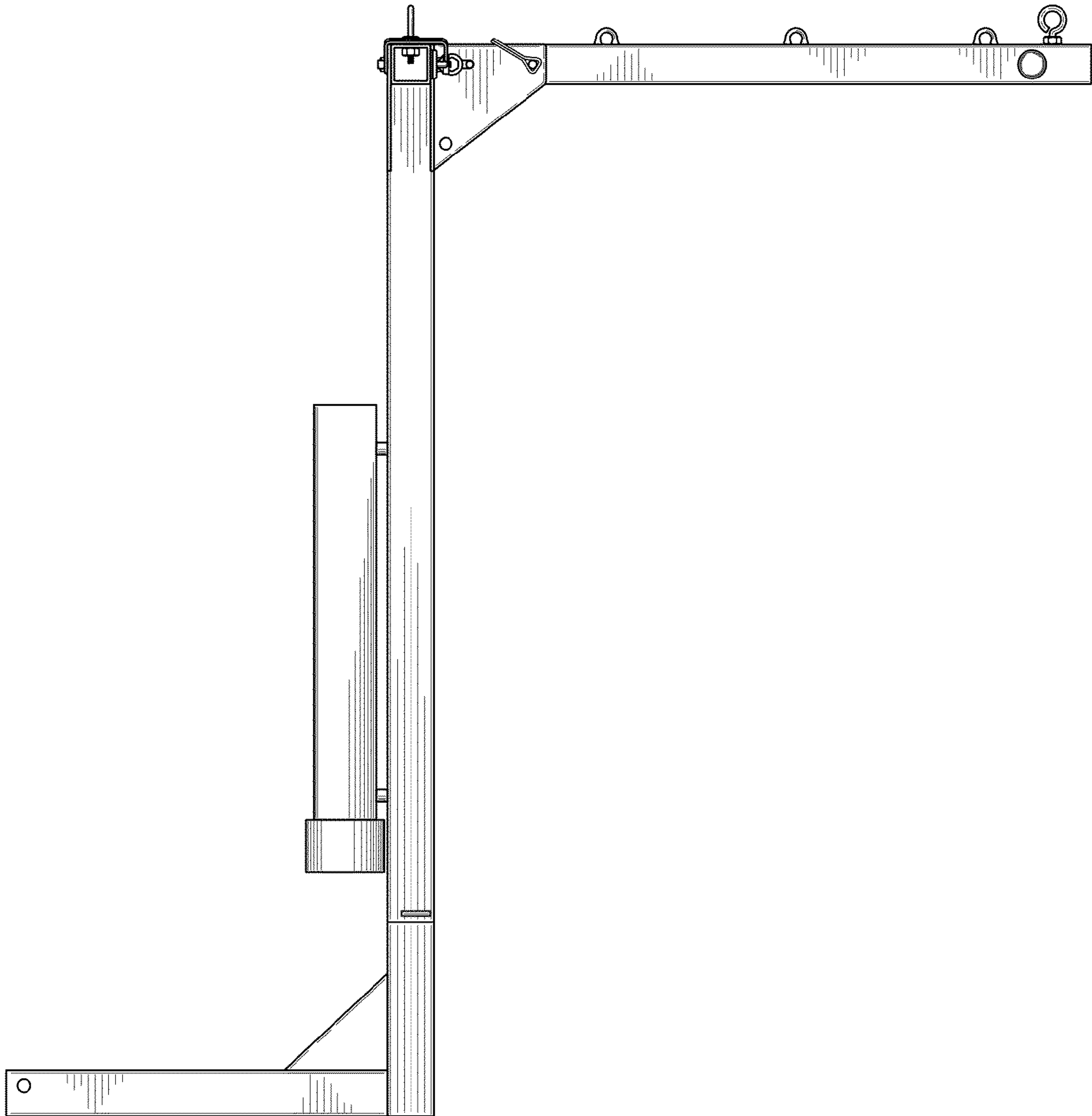


FIG. 4

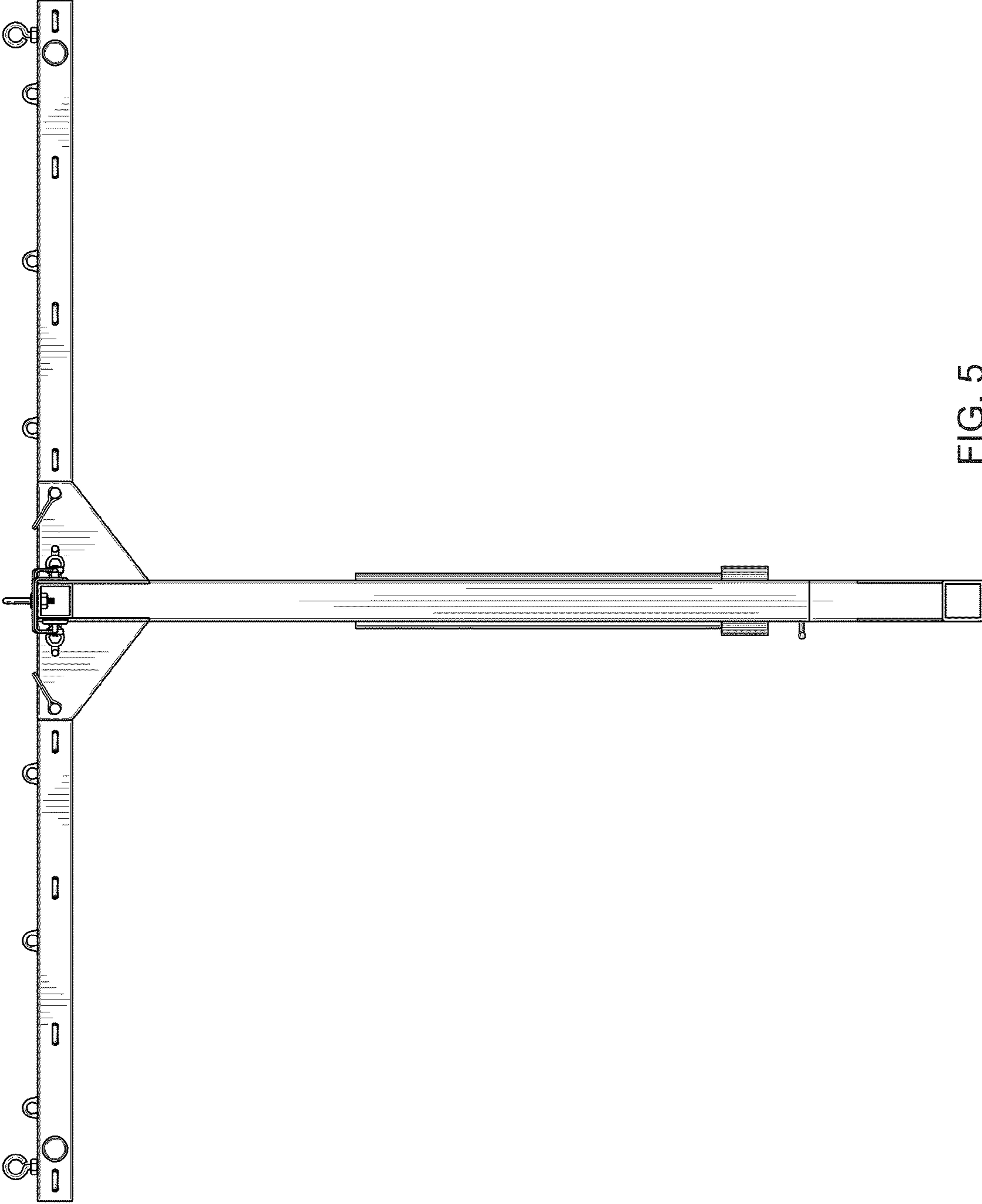


FIG. 5

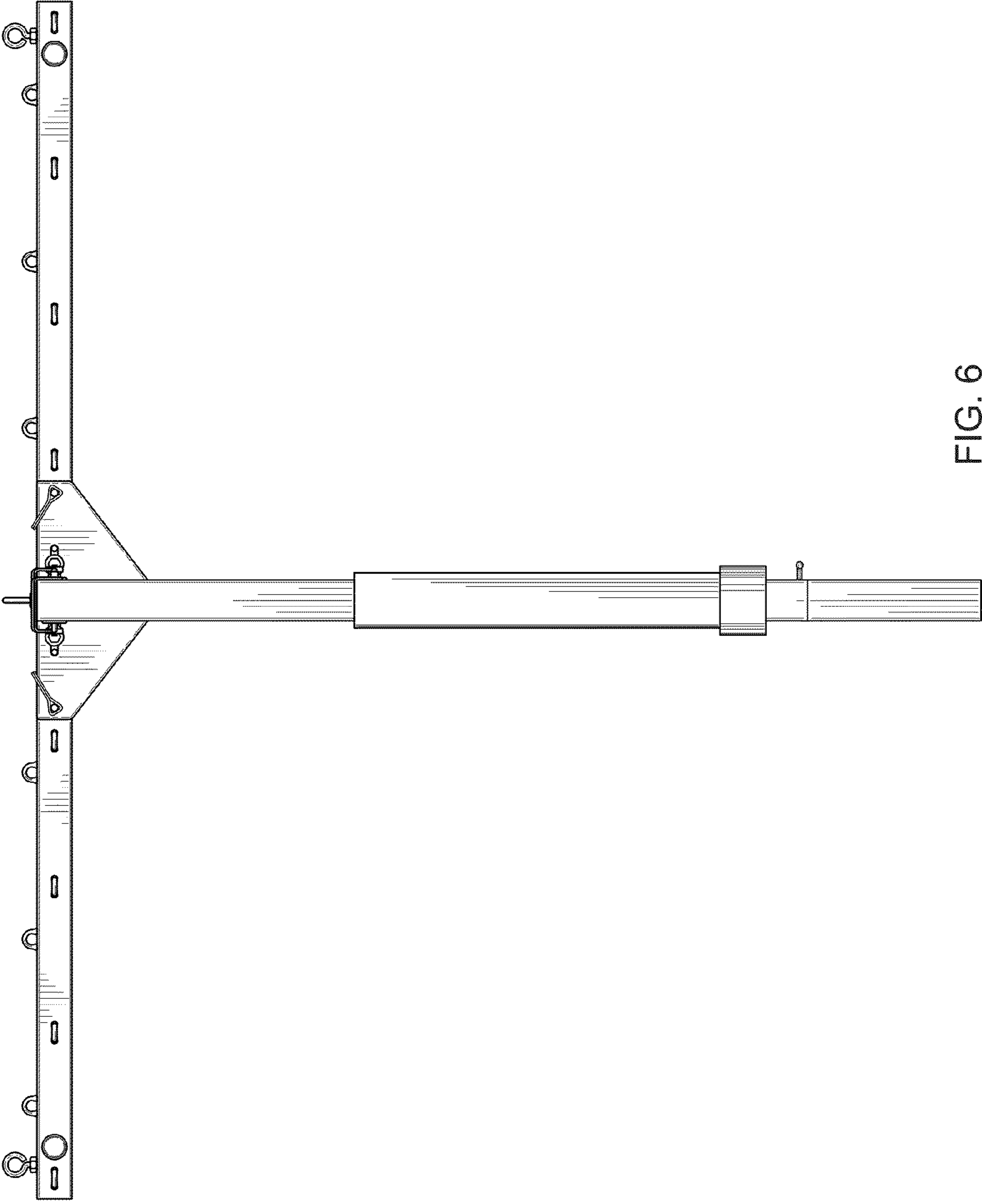


FIG. 6

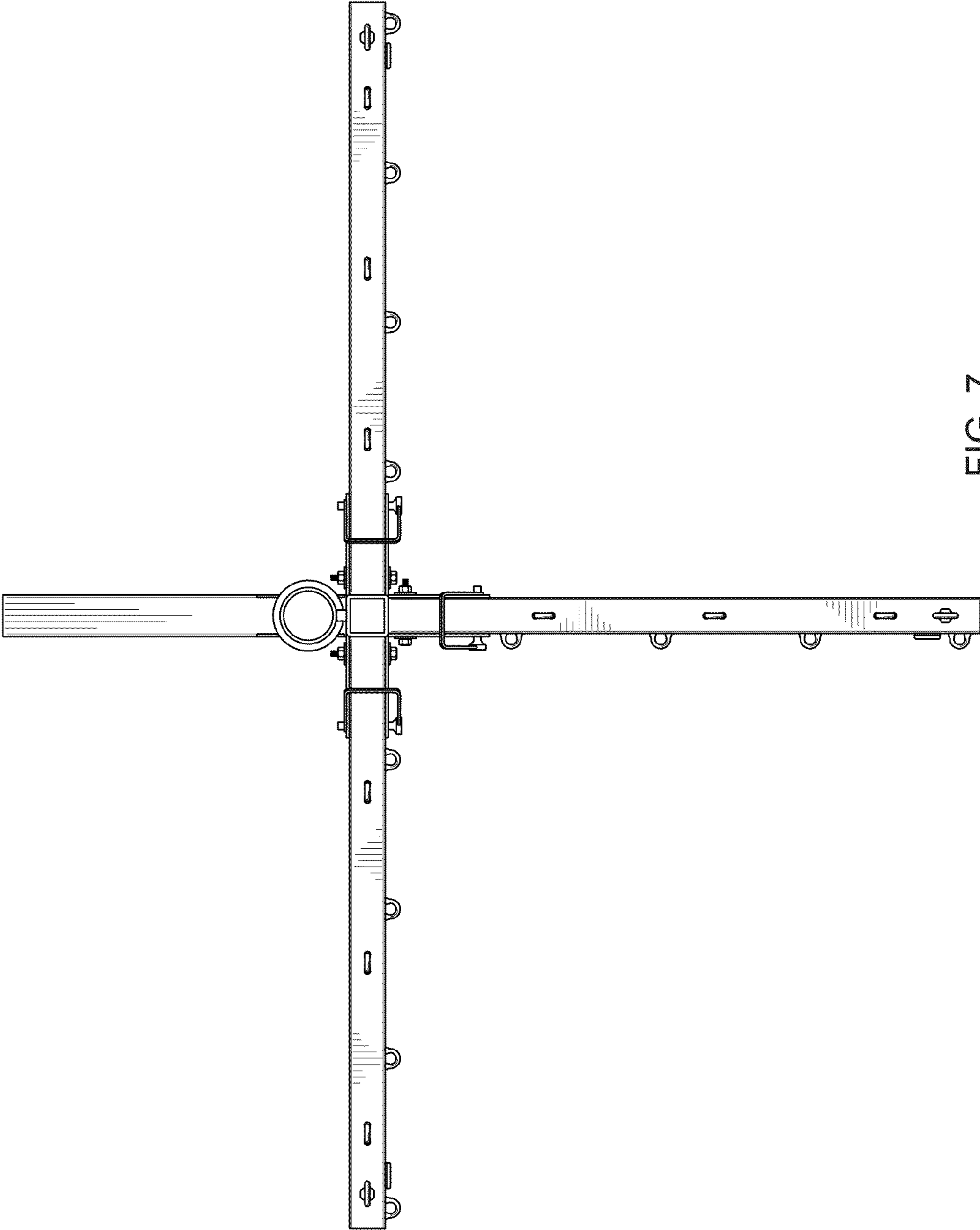


FIG. 7

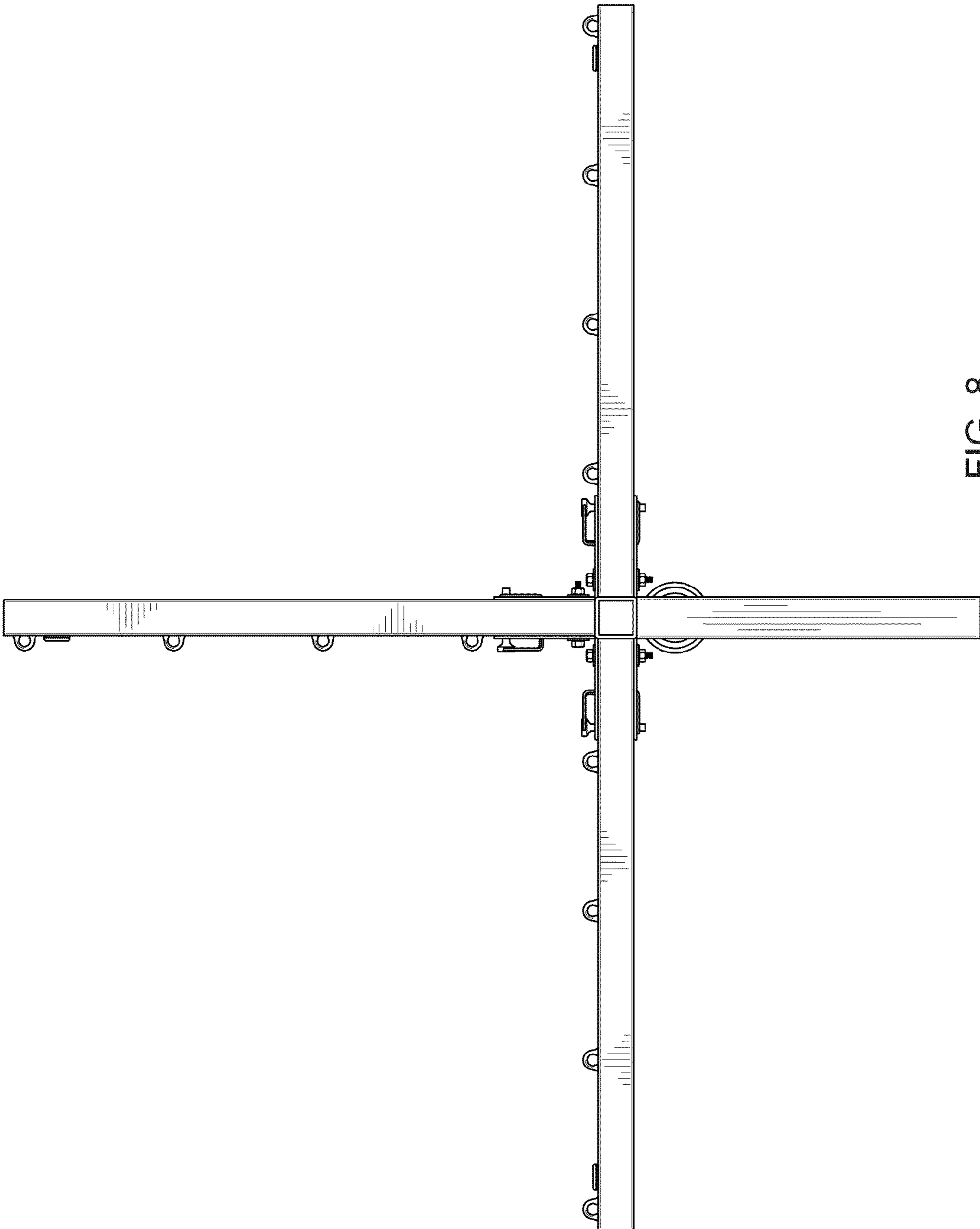


FIG. 8