



US00D687762S

(12) **United States Design Patent**  
**Weaver et al.**

(10) **Patent No.:** **US D687,762 S**

(45) **Date of Patent:** **\*\* Aug. 13, 2013**

(54) **HITCH-MOUNTED BICYCLE CARRIER**

(75) Inventors: **Gregor G. Weaver**, Waterbury, CT (US);  
**James Paul Detweiler**, Bristol, CT (US);  
**John R. Laverack**, Southbury, CT (US)

(73) Assignee: **Thule Sweden AB** (SE)

(\*\*) Term: **14 Years**

(21) Appl. No.: **29/431,850**

(22) Filed: **Sep. 11, 2012**

(51) **LOC (9) Cl.** ..... **12-11**

(52) **U.S. Cl.**  
USPC ..... **D12/408**

(58) **Field of Classification Search**

USPC ..... D12/408; 224/42.11, 515, 545, 519,  
224/495, 496, 499, 490-493, 502, 505, 506,  
224/522, 533-537, 548, 552, 553, 567, 572,  
224/24, 935, 421, 425-427, 497, 924; 280/202,  
280/288.4

See application file for complete search history.

(56) **References Cited**

**U.S. PATENT DOCUMENTS**

D614,563 S \* 4/2010 Flaherty et al. .... D12/408  
D625,247 S \* 10/2010 Flaherty et al. .... D12/408  
D632,638 S \* 2/2011 Farber ..... D12/408

D635,087 S \* 3/2011 Flaherty et al. .... D12/408  
D656,456 S \* 3/2012 Tinstman et al. .... D12/408  
8,336,747 B2 \* 12/2012 Bogoslofski et al. .... 224/534

\* cited by examiner

*Primary Examiner* — Susan M Lee

*Assistant Examiner* — Linda G Brooks

(74) *Attorney, Agent, or Firm* — Novak Druce Connolly  
Bove + Quigg LLP

(57) **CLAIM**

We claim the ornamental design for a hitch-mounted bicycle carrier, as shown and described.

**DESCRIPTION**

FIG. 1 is a perspective view of a hitch-mounted bicycle carrier;

FIG. 2 is alternate perspective view thereof;

FIG. 3 is a front elevational view of a thereof;

FIG. 4 is a rear elevational view thereof;

FIG. 5 is a left side elevational view thereof;

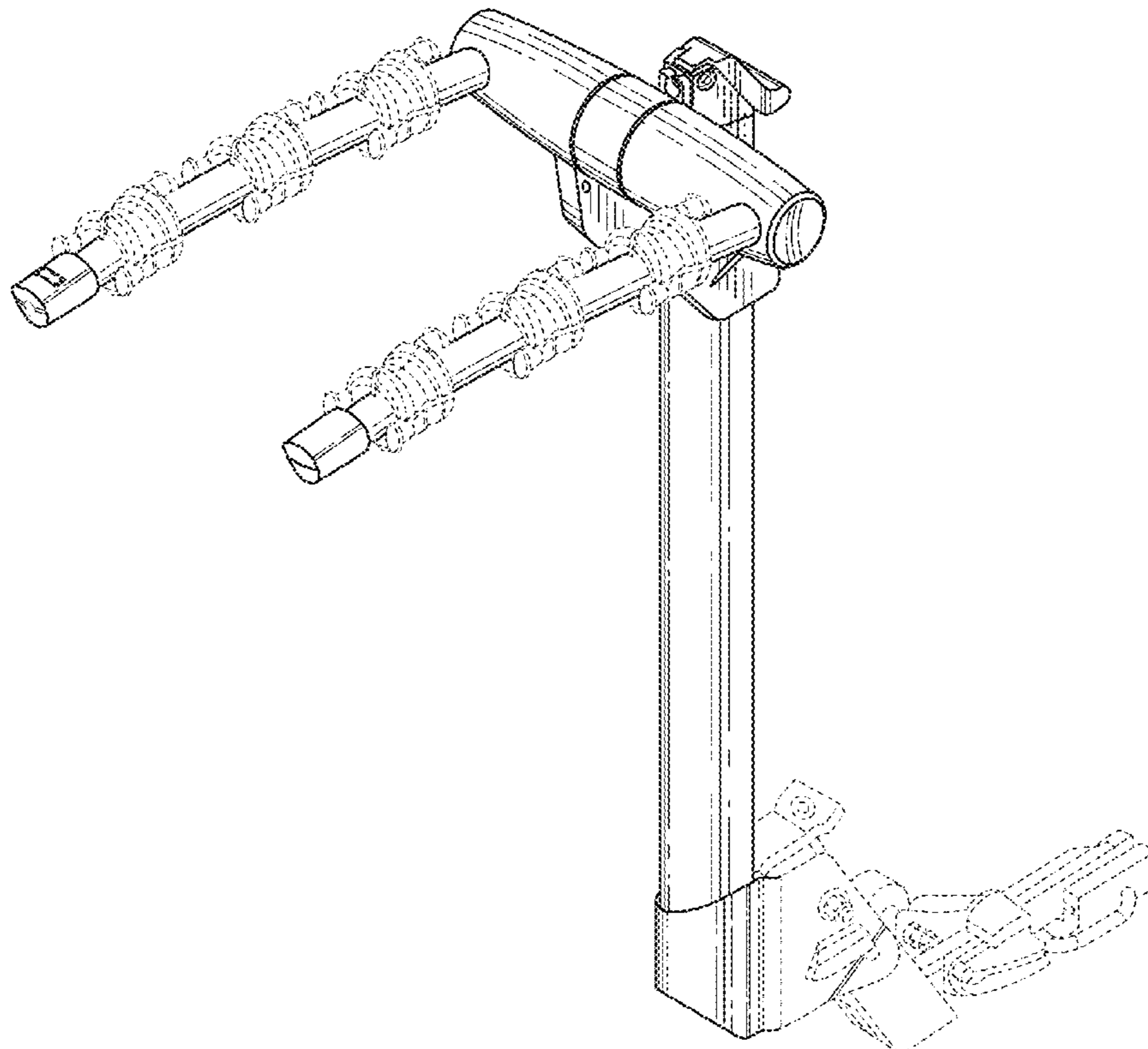
FIG. 6 is a right side elevational view thereof;

FIG. 7 is a top plan view thereof; and,

FIG. 8 is a bottom plan view thereof.

Broken lines are included for the purpose of illustrating environment and unclaimed portions of the claimed article, and do not form a part of the claimed design.

**1 Claim, 8 Drawing Sheets**



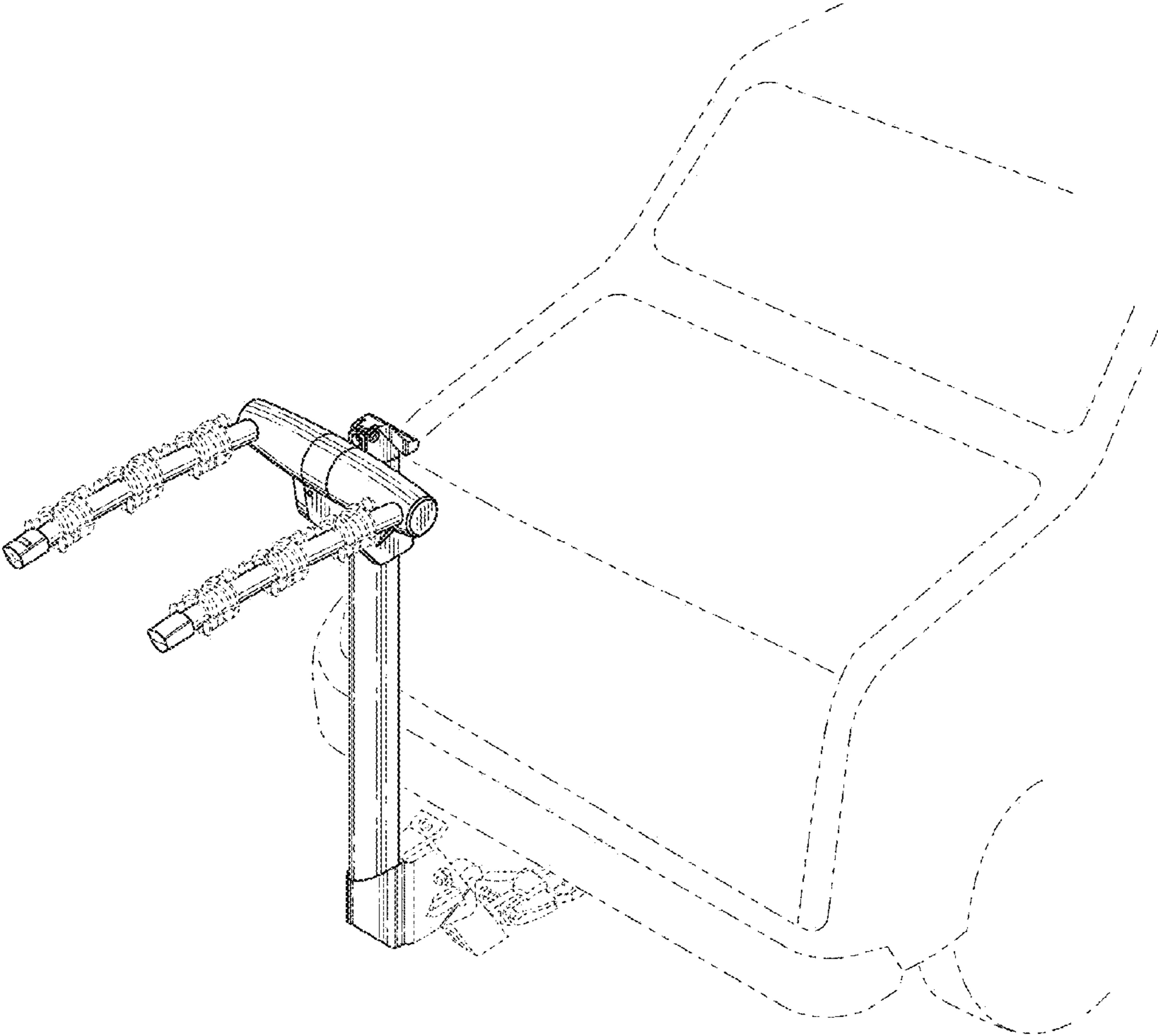


FIG. 1

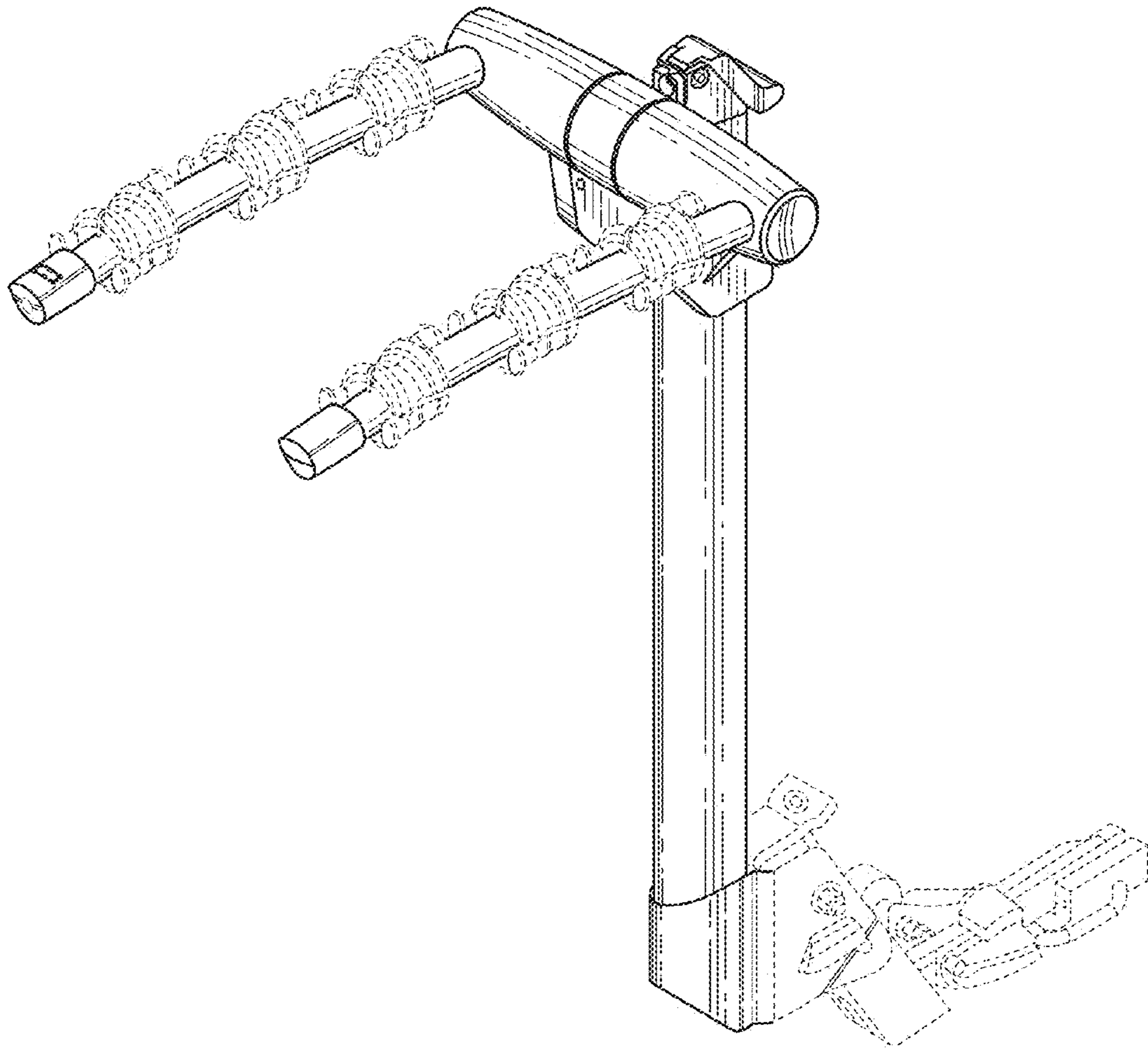


FIG. 2

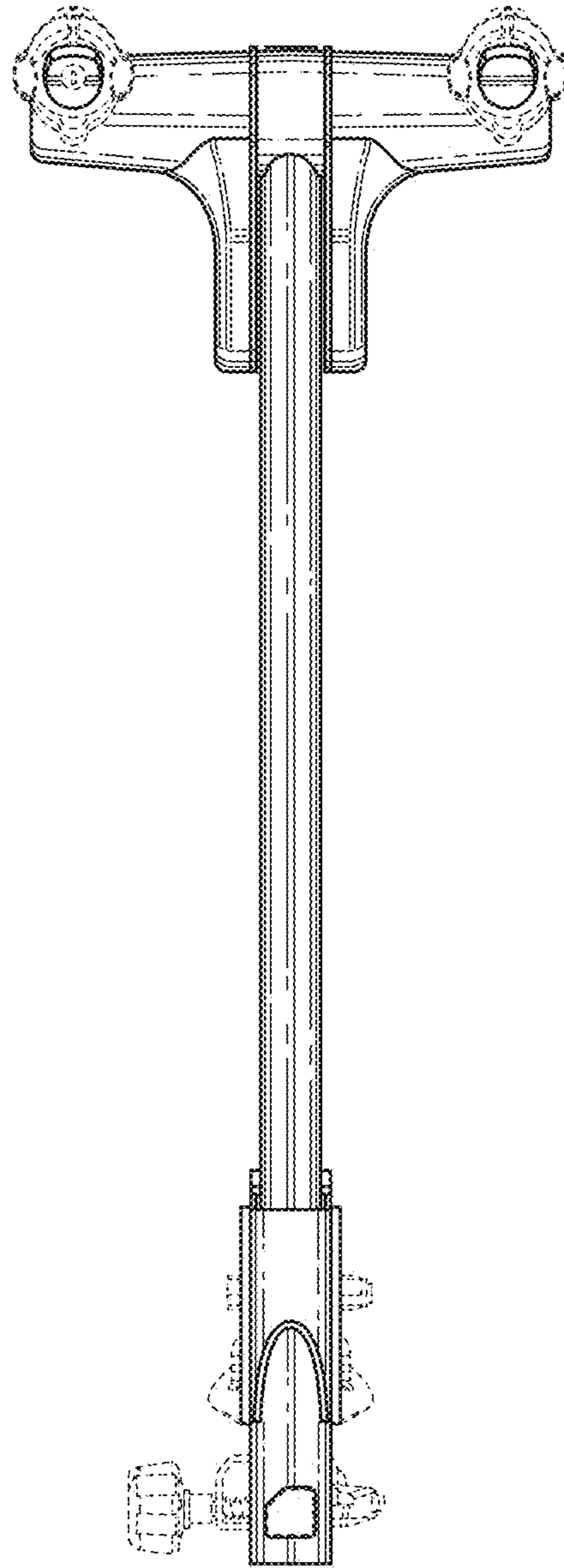


FIG. 3

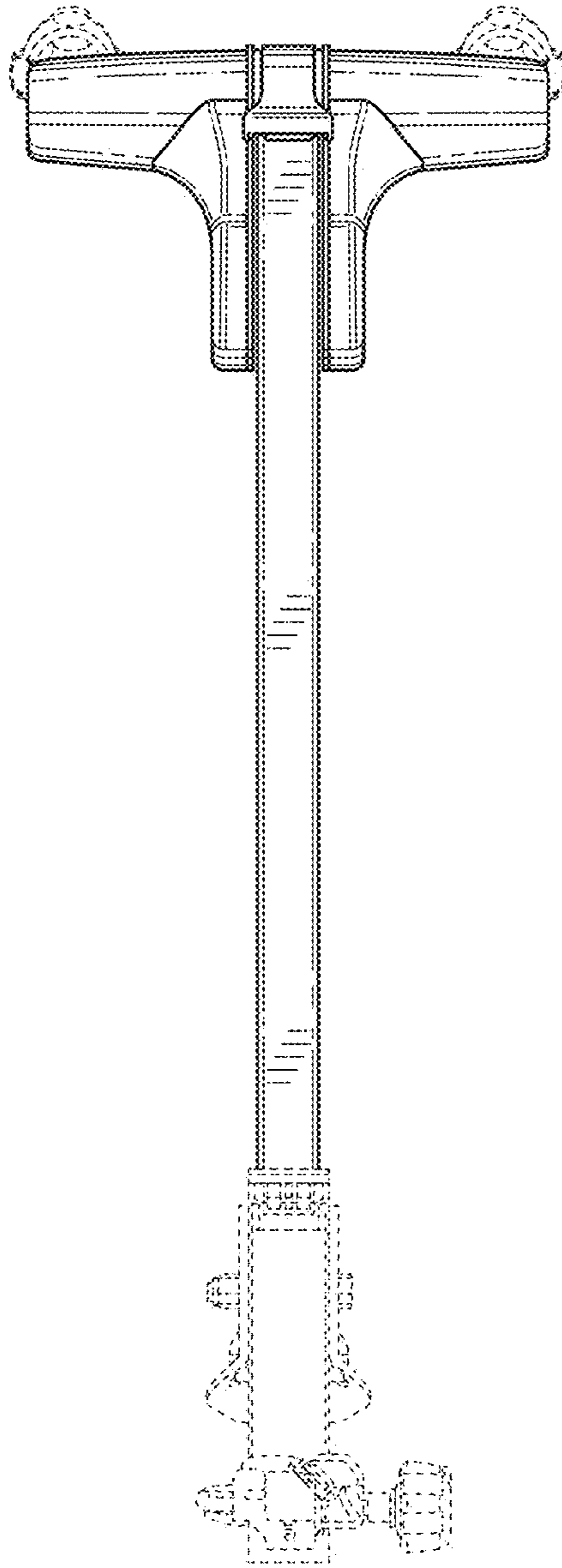


FIG. 4

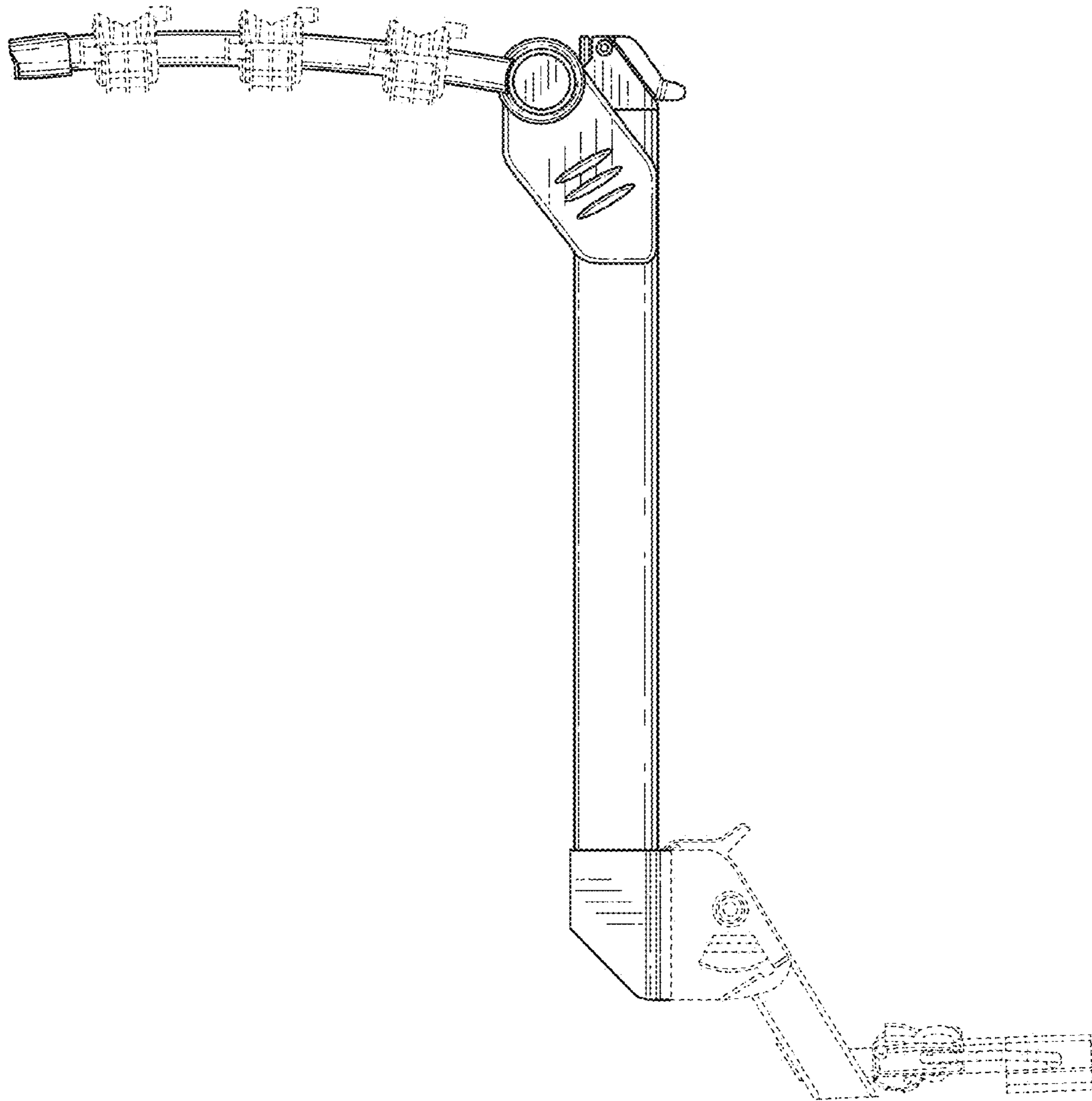


FIG. 5

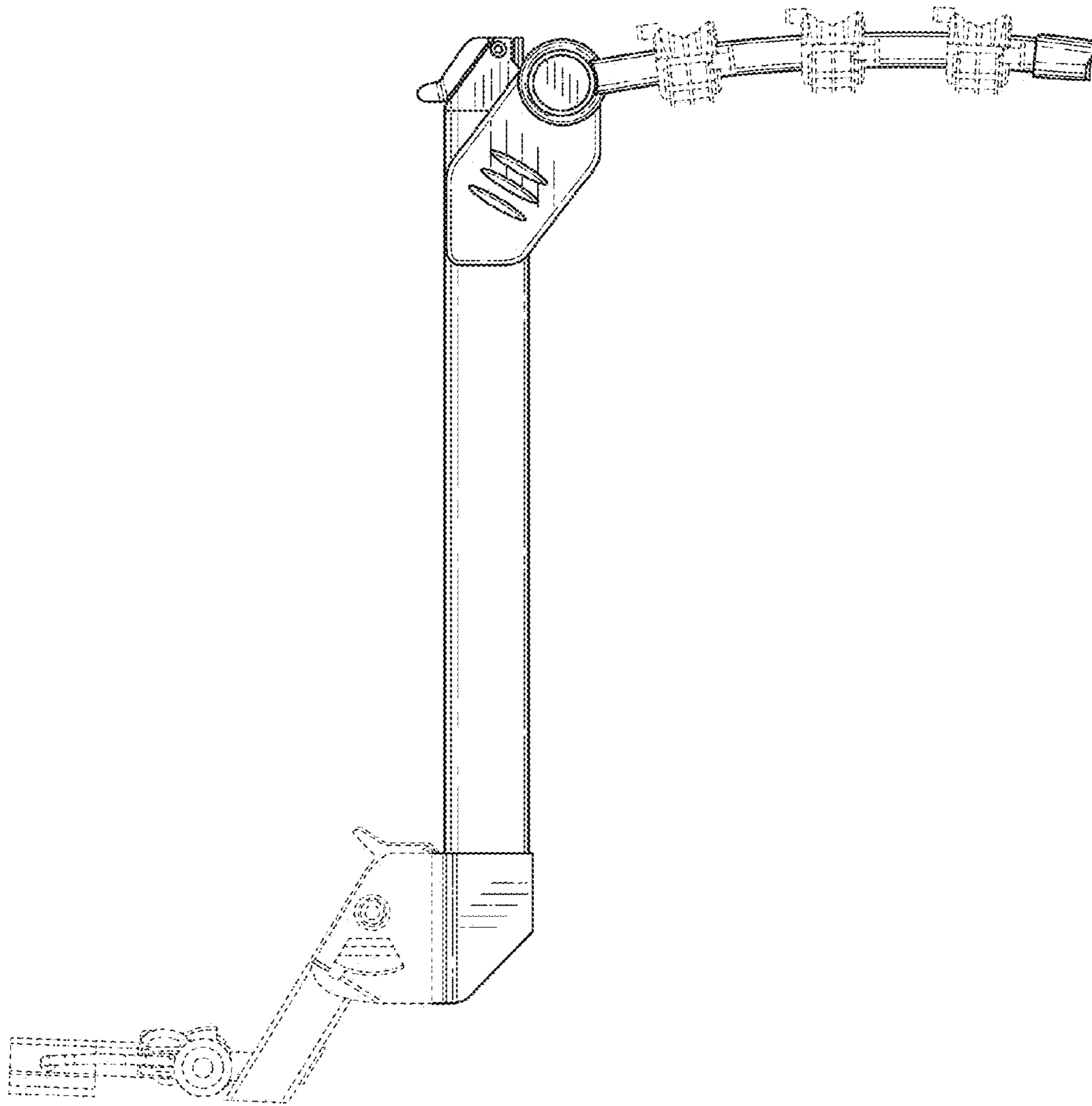


FIG. 6

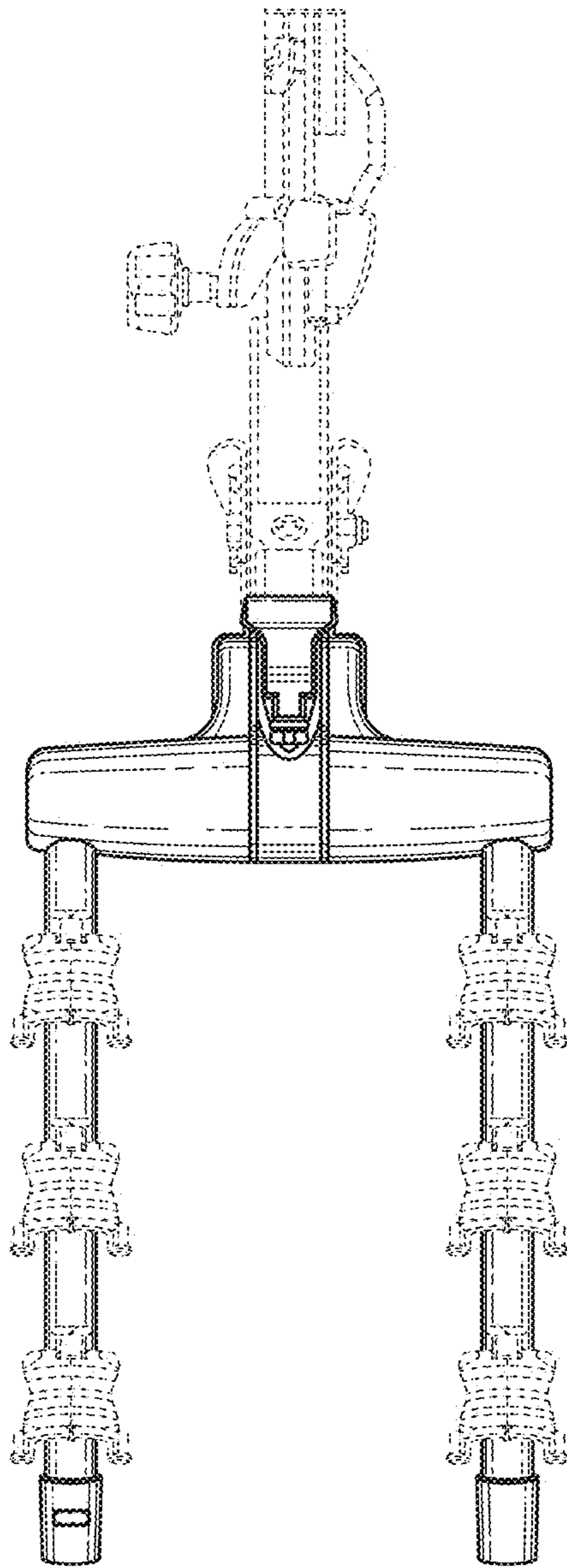


FIG. 7



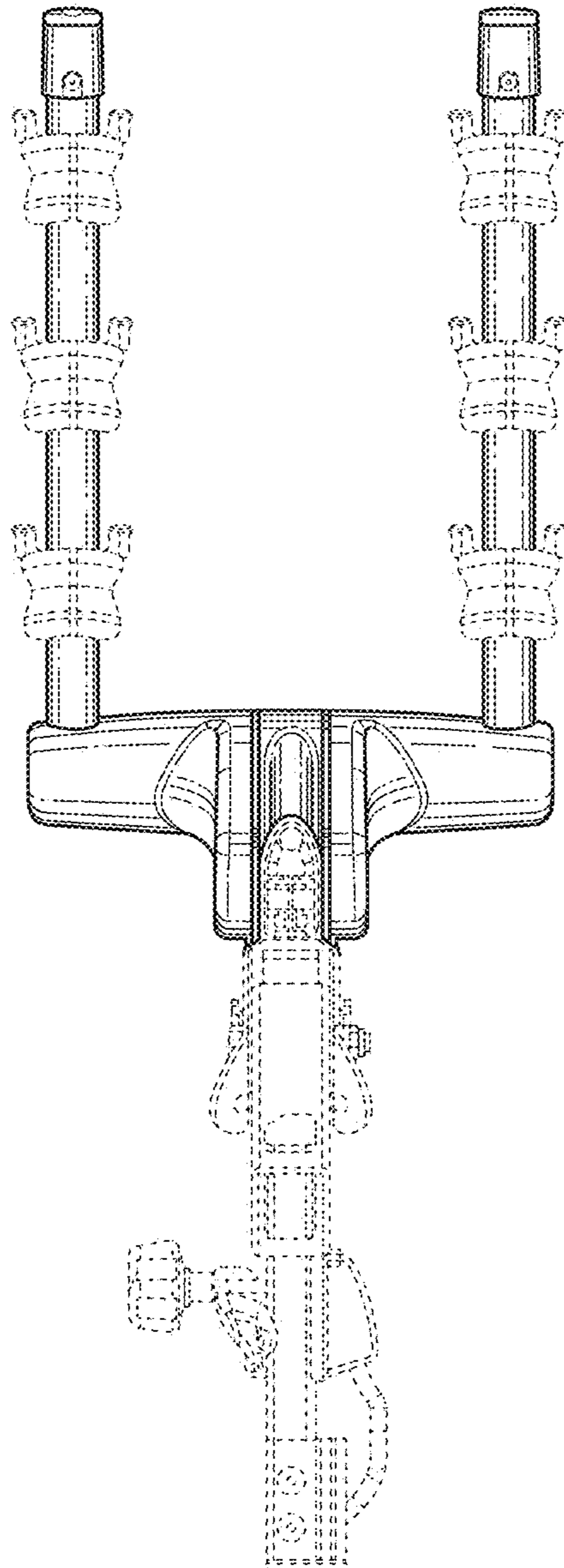


FIG. 8