



US00D687759S

(12) **United States Design Patent**
An

(10) **Patent No.:** **US D687,759 S**

(45) **Date of Patent:** **** Aug. 13, 2013**

(54) **WIPER FOR A VEHICLE**

(75) Inventor: **Jaehyuck An**, Daegu (KR)

(73) Assignee: **KCW Corporation**, Daegu (KR)

(**) Term: **14 Years**

(21) Appl. No.: **29/402,067**

(22) Filed: **Sep. 20, 2011**

(30) **Foreign Application Priority Data**

Jul. 22, 2011 (KR) 30-2011-0030557
Jul. 22, 2011 (KR) 30-2011-0030558

(51) **LOC (9) Cl.** **12-06**

(52) **U.S. Cl.**
USPC **D12/219**

(58) **Field of Classification Search**
USPC D12/219-220; 15/246, 247, 250.001,
15/250.4, 250.361, 250.19, 250.48, 250.03,
15/250.31-250.33, 250.351, 250.38, 250.201,
15/250.451, 250.458, 250.04, 250.07, 250.44
See application file for complete search history.

(56) **References Cited**

U.S. PATENT DOCUMENTS

D379,613 S * 6/1997 Chen D12/219
D382,848 S * 8/1997 Chen D12/219

2008/0083082 A1* 4/2008 Rovaart et al. 15/250.32
2011/0162161 A1* 7/2011 Amado 15/250.361
2011/0277266 A1* 11/2011 Umeno 15/250.32

OTHER PUBLICATIONS

U.S. Appl. No. 29/373,957, KCW Corporation.

* cited by examiner

Primary Examiner — Katrina A Betton

(74) *Attorney, Agent, or Firm* — Edwards Wildman Palmer LLP

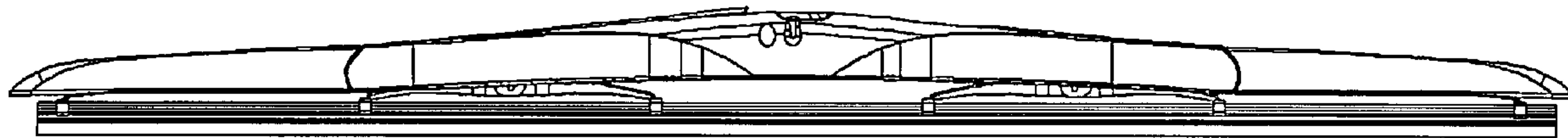
(57) **CLAIM**

The ornamental design for wiper for a vehicle, as shown and described.

DESCRIPTION

FIG. 1 is a perspective view of a wiper for a vehicle according to the first embodiment of the present invention.
FIG. 2 is a front view of the wiper of FIG. 1.
FIG. 3 is a rear view of the wiper of FIG. 1.
FIG. 4 is an enlarged left side view of the wiper of FIG. 1.
FIG. 5 is an enlarged right side view of the wiper of FIG. 1.
FIG. 6 is a top view of the wiper of FIG. 1.
FIG. 7 is a bottom view of the wiper of FIG. 1; and,
FIG. 8 is an enlarged perspective view of the center portion of the wiper of FIG. 1.

1 Claim, 8 Drawing Sheets



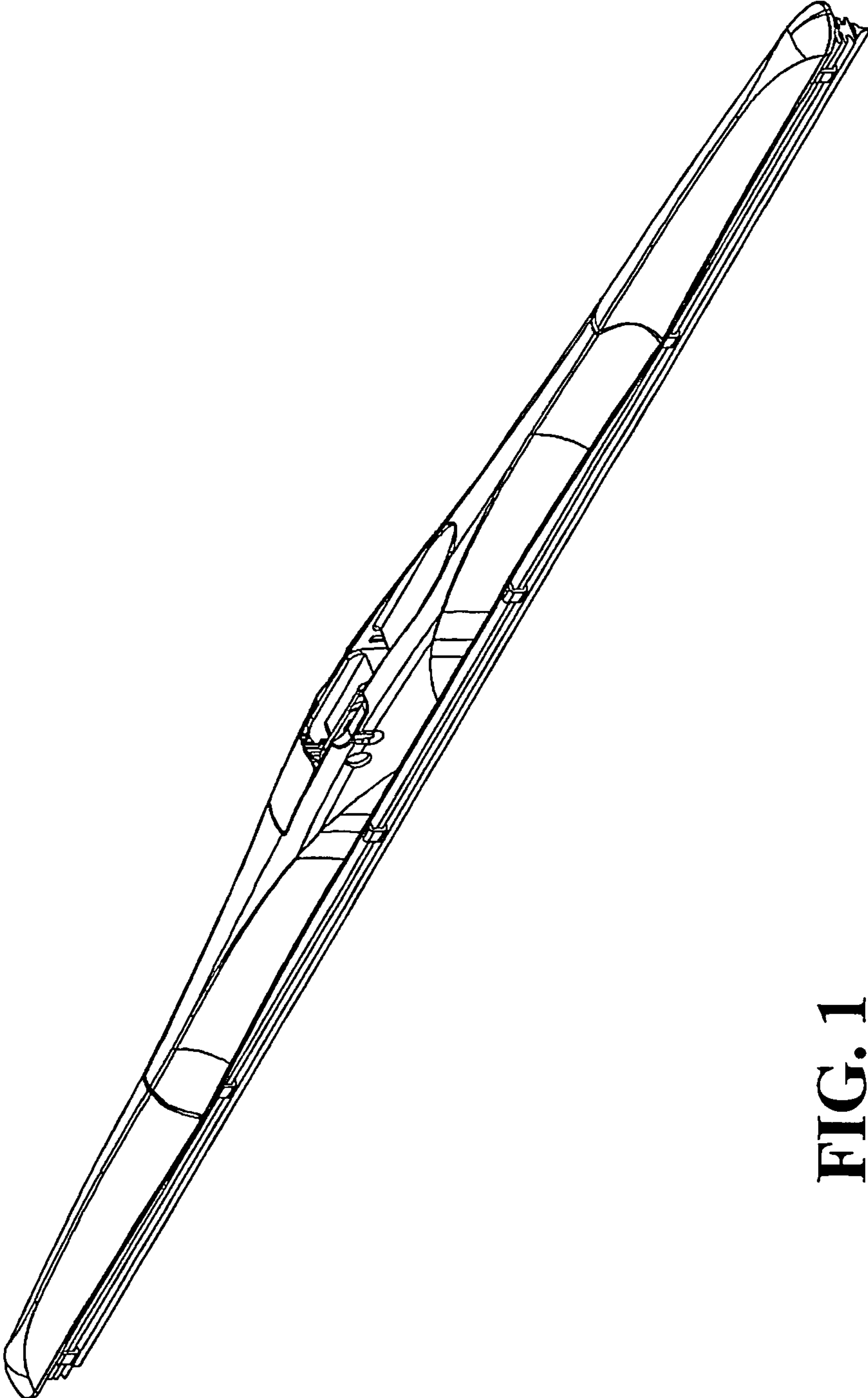


FIG. 1

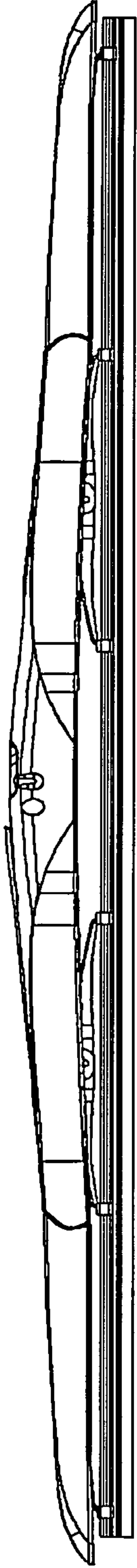


FIG. 2

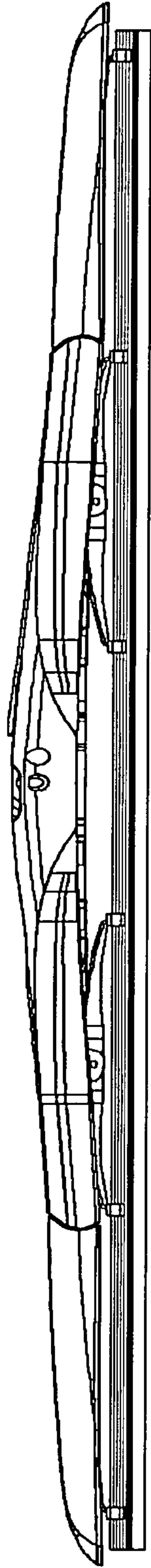


FIG. 3

FIG. 4

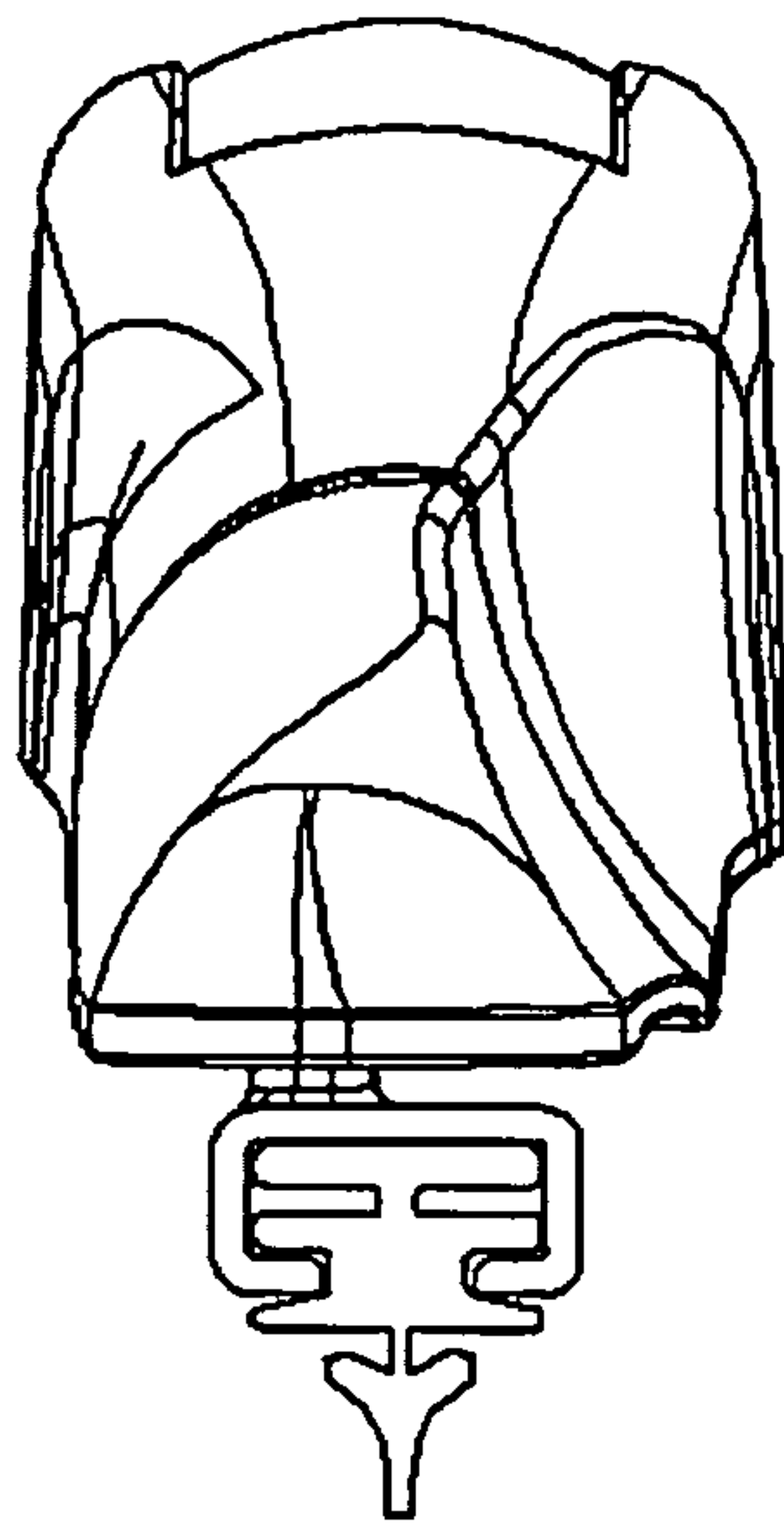
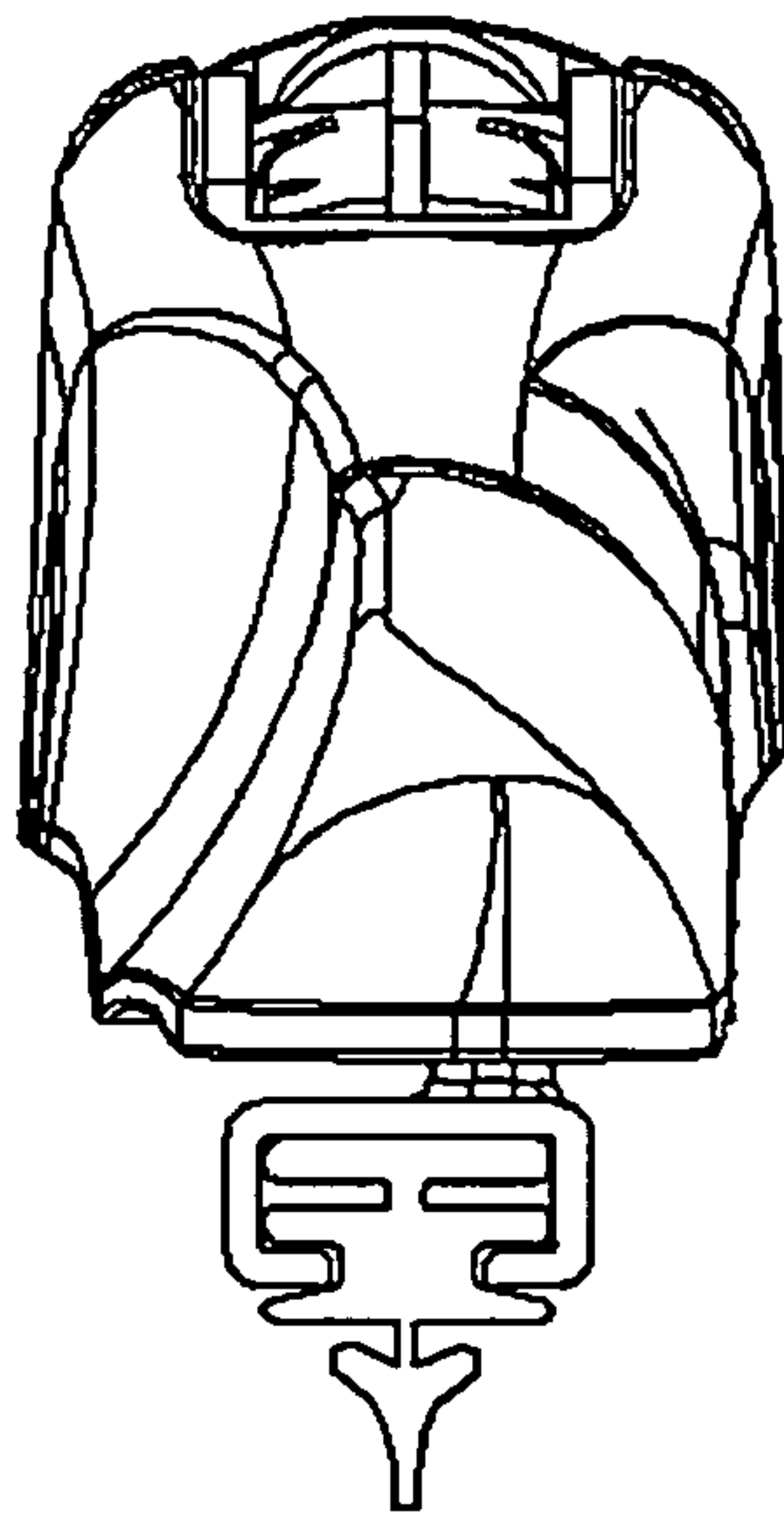


FIG. 5



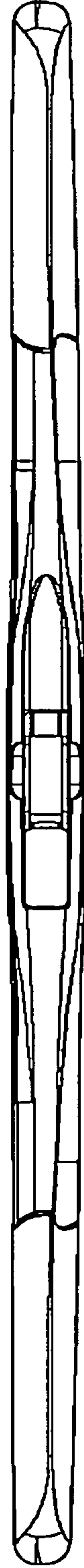


FIG. 6

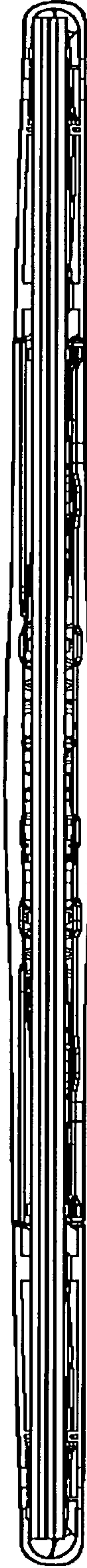


FIG. 7

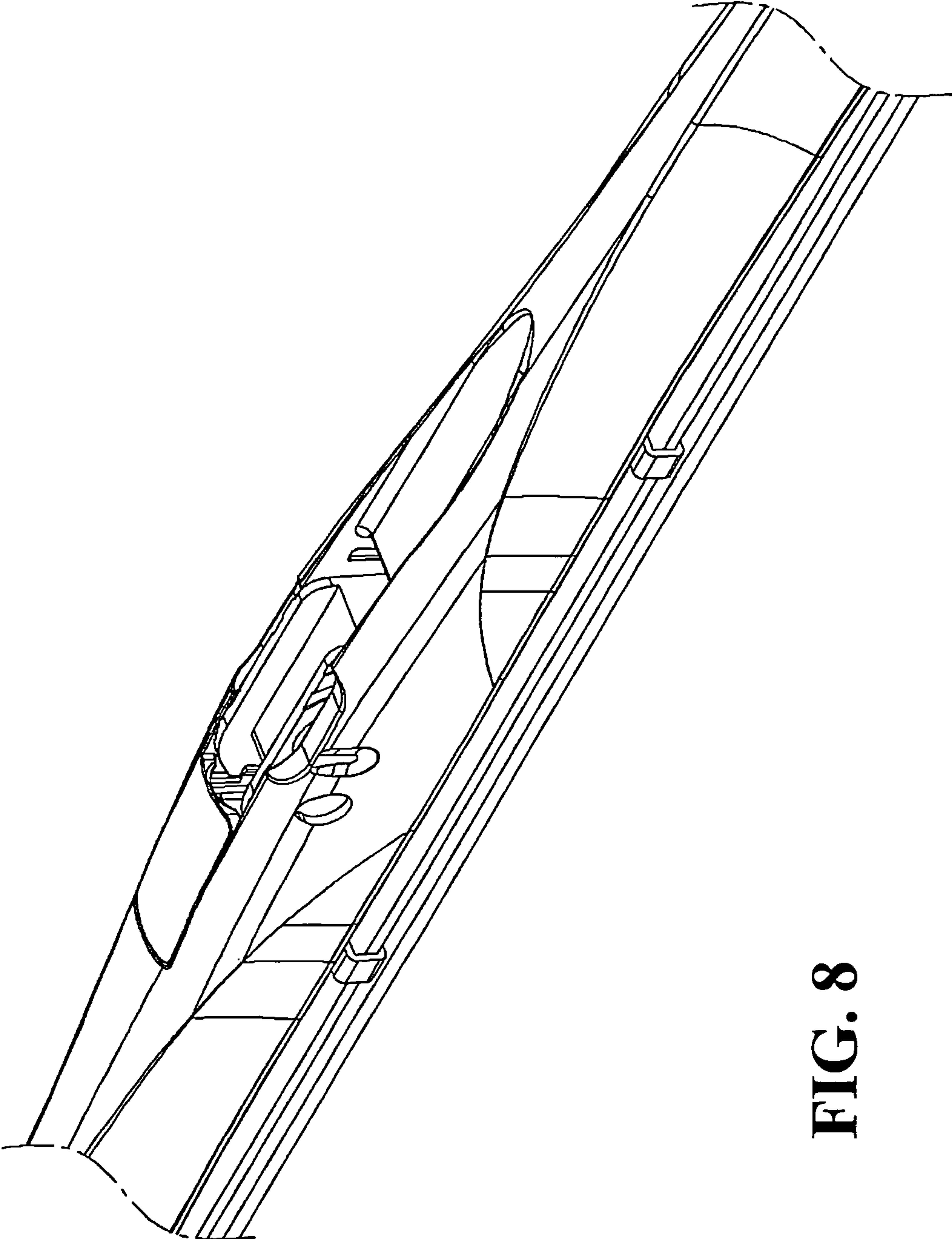


FIG. 8