



US00D687755S

(12) **United States Design Patent**
Griffin et al.

(10) **Patent No.:** **US D687,755 S**

(45) **Date of Patent:** **** Aug. 13, 2013**

(54) **MOTORCYCLE GAS CAP**

(76) Inventors: **Matthew Griffin**, Tarpon Springs, FL
(US); **Scott Avoy**, Safety Harbor, FL
(US)

(**) Term: **14 Years**

(21) Appl. No.: **29/387,950**

(22) Filed: **Mar. 22, 2011**

(51) **LOC (9) Cl.** **12-16**

(52) **U.S. Cl.**
USPC **D12/197**

(58) **Field of Classification Search**
USPC D12/197–201, 110, 114, 218; D7/398;
D9/443–444, 451–454, 435; D8/310–312;
220/235, 228, 86.1–86.3, 288, 200, 304;
411/349, 553, 411, 300; D23/260; D15/150;
280/839

See application file for complete search history.

(56) **References Cited**

U.S. PATENT DOCUMENTS

D164,698 S *	10/1951	Mathews	D23/209
D264,578 S *	5/1982	Gaston	D12/197
D353,357 S *	12/1994	Weinberg et al.	D12/197
D354,461 S *	1/1995	Davidson et al.	D12/126
D354,462 S *	1/1995	Davidson et al.	D12/126
D354,464 S *	1/1995	Davidson et al.	D12/127

D367,444 S *	2/1996	Davidson et al.	D12/126
D376,565 S *	12/1996	Davidson et al.	D12/126
D617,459 S *	6/2010	Bogue	D24/155

* cited by examiner

Primary Examiner — Katrina A Betton

(74) *Attorney, Agent, or Firm* — Larson & Larson, P.A.;
Frank Liebenow; Justin P. Miller

(57) **CLAIM**

We claim the ornamental design for a motorcycle gas cap, as shown and described.

DESCRIPTION

FIG. 1 is a first top elevation view of the motorcycle gas cap, with the latch engaged, showing our novel design;
FIG. 2 is a second top elevation view thereof, with the latch disengaged;
FIG. 3 is a bottom elevation view thereof;
FIG. 4 is a left side view thereof;
FIG. 5 is a right side view thereof;
FIG. 6 is a front plan view thereof;
FIG. 7 is a rear plan view thereof;
FIG. 8 is a first perspective view thereof;
FIG. 9 is a second perspective view thereof, with the gas cap and flange shown separately; and,
FIG. 10 is a third perspective view thereof, with the dashed lines representing a gas tank of a motorcycle and the dashed lines are not part of the claimed invention.

1 Claim, 6 Drawing Sheets

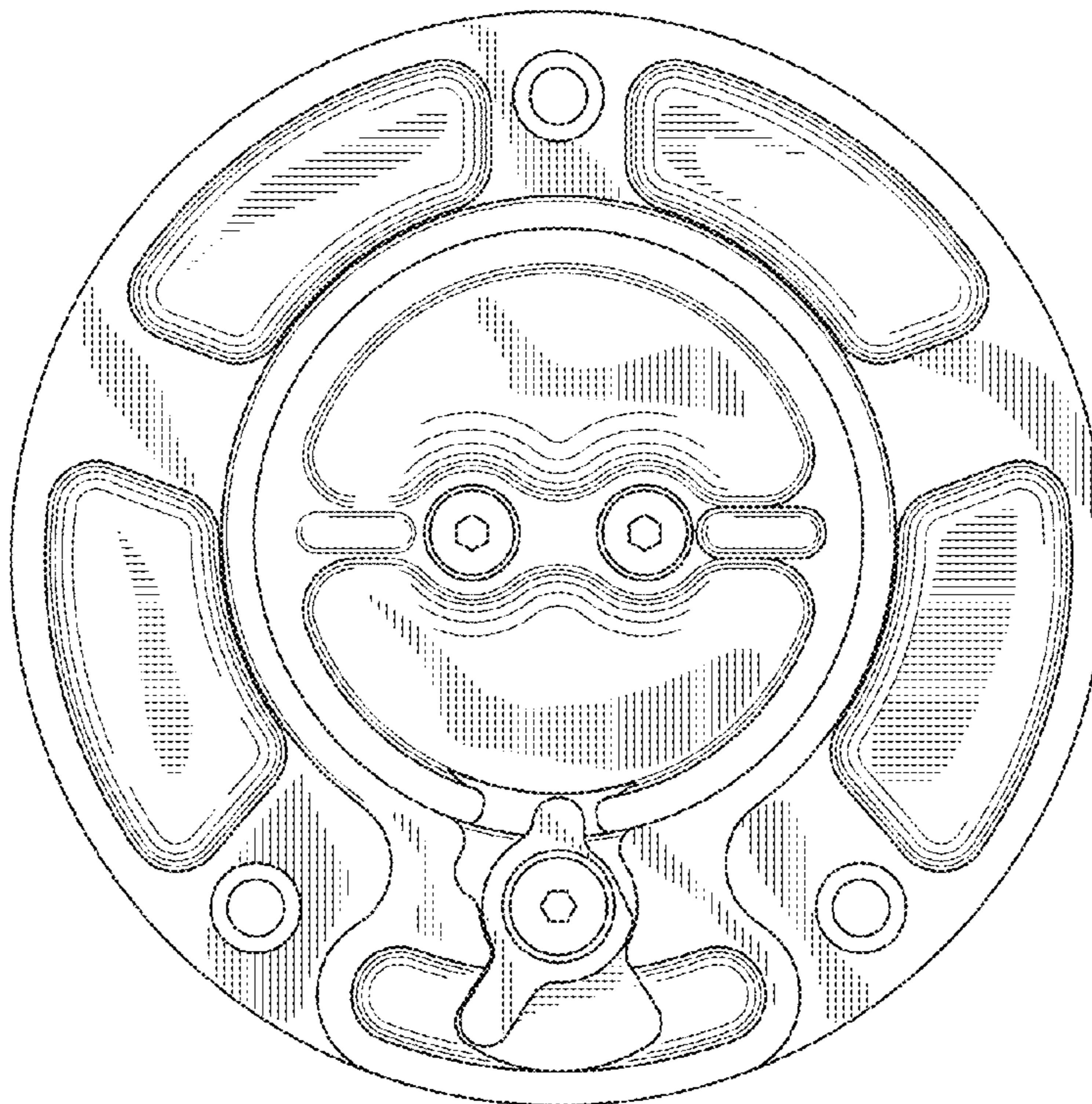


FIG. 1

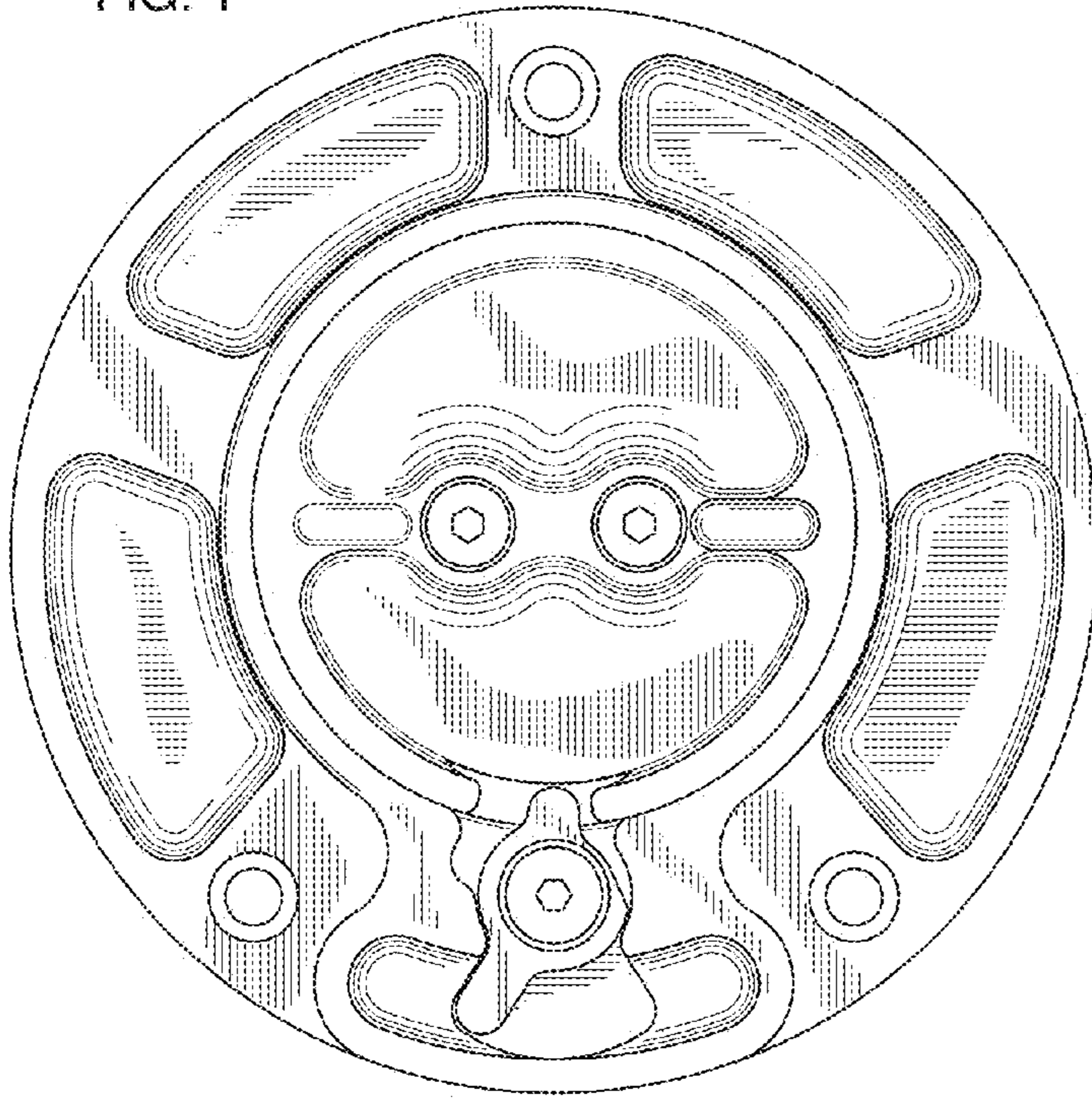


FIG. 2

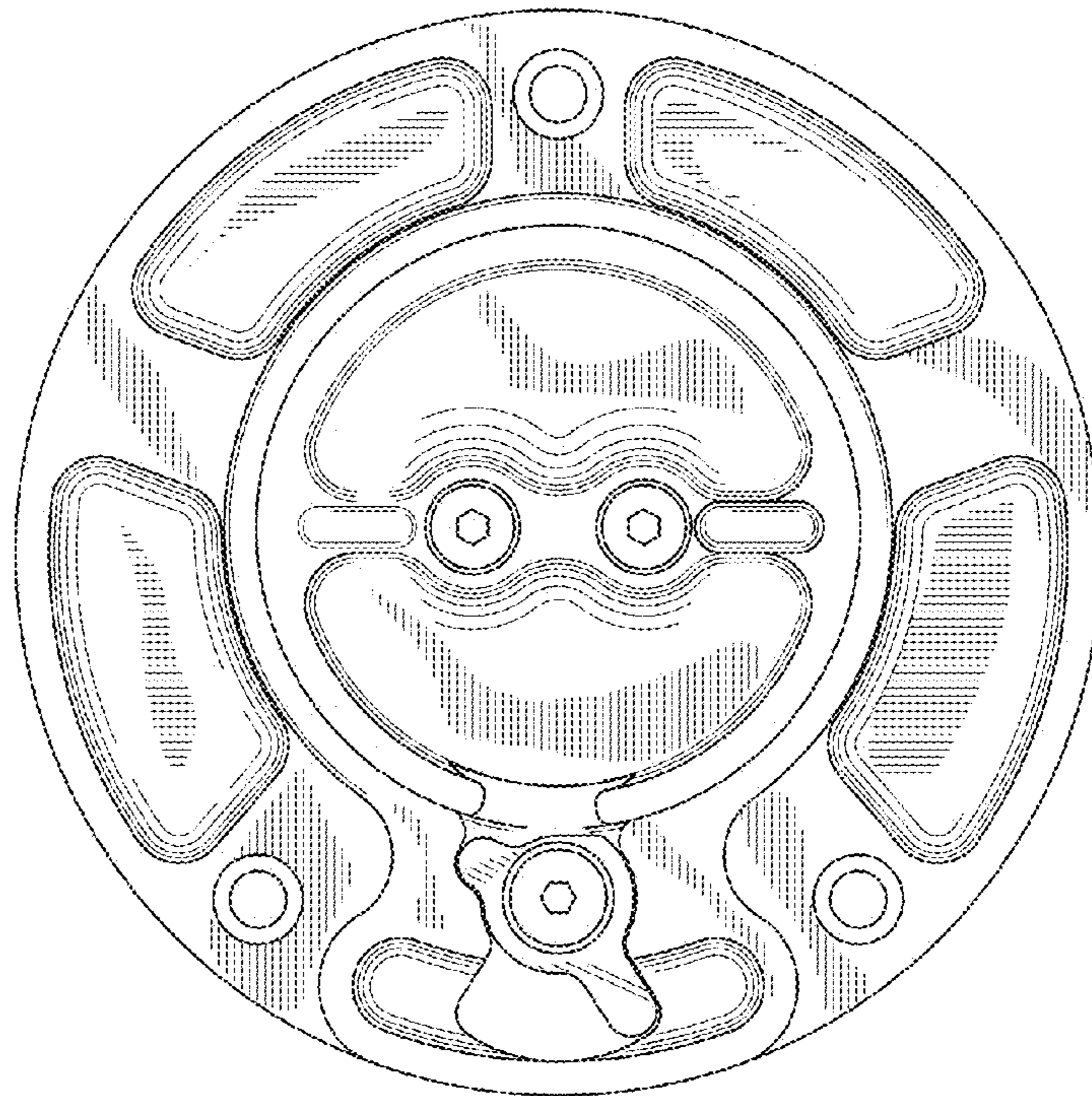


FIG. 3

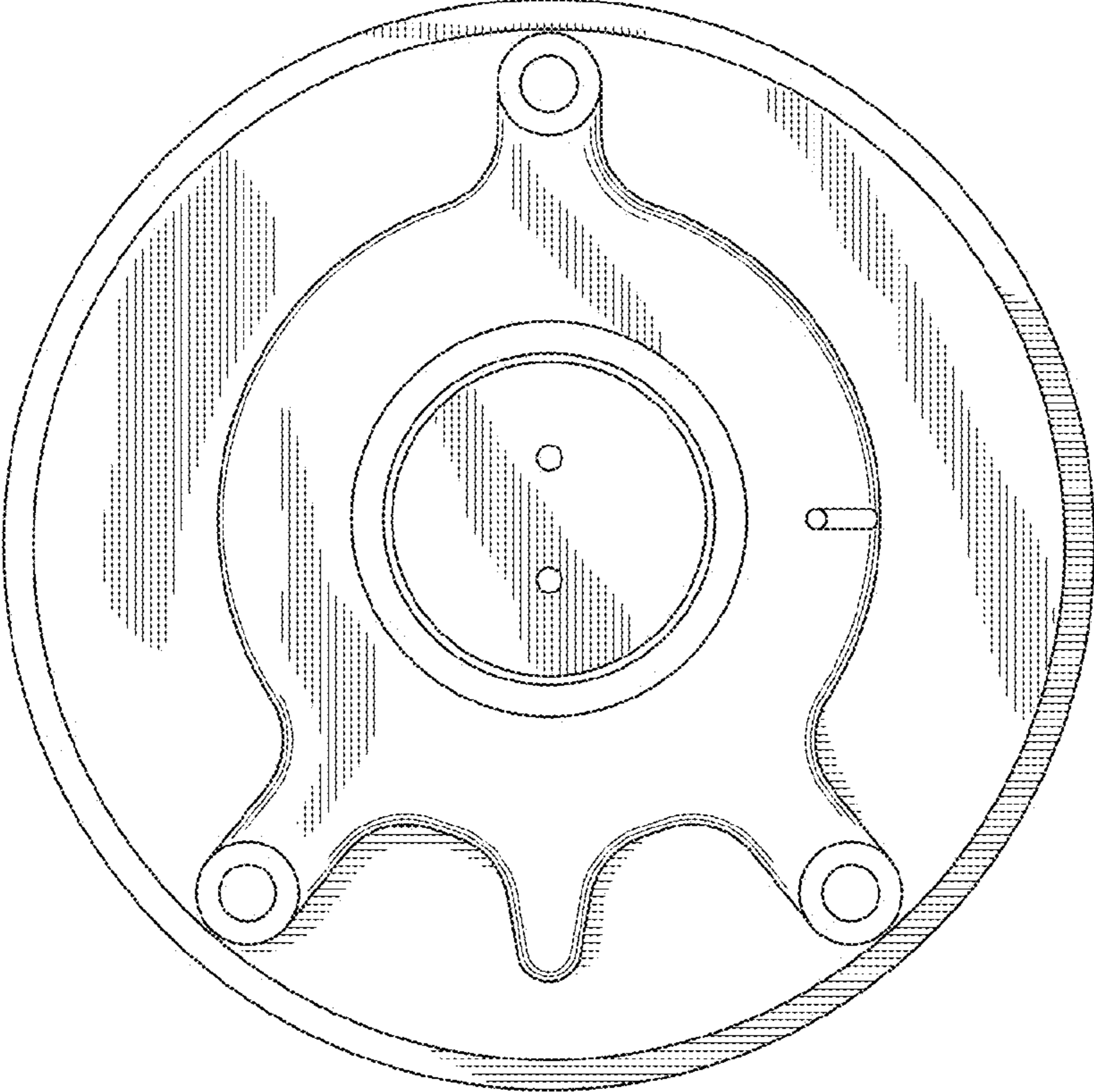


FIG. 4

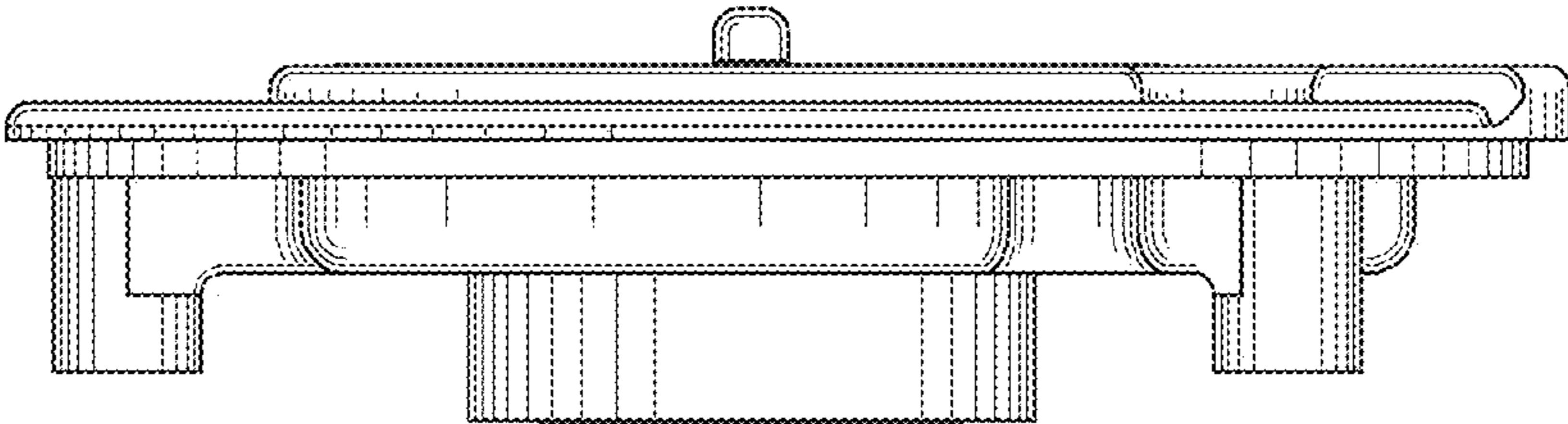


FIG. 5

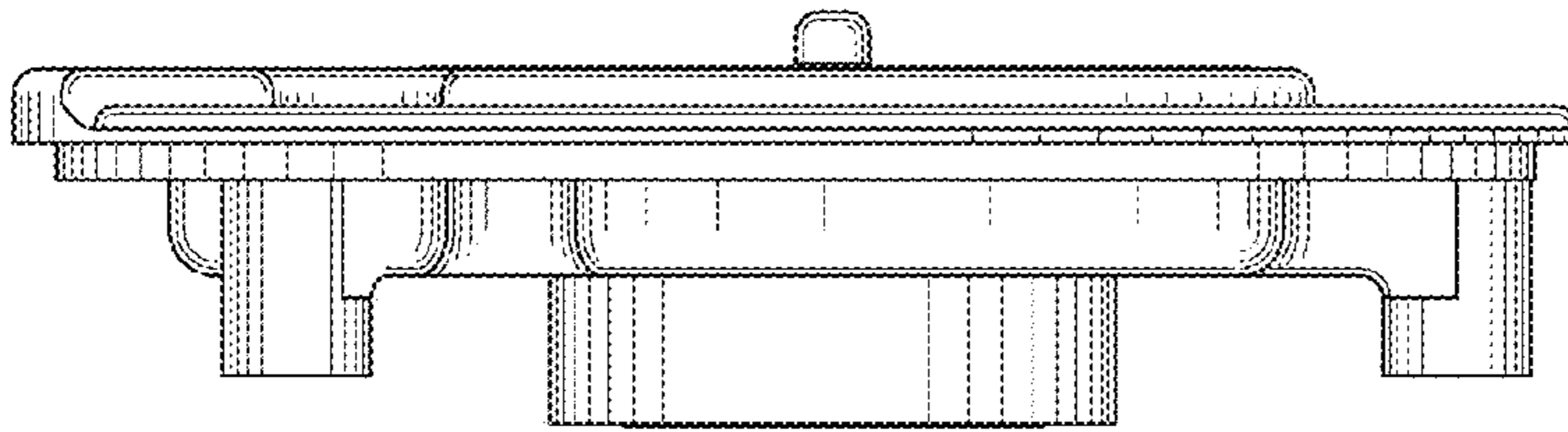


FIG. 6

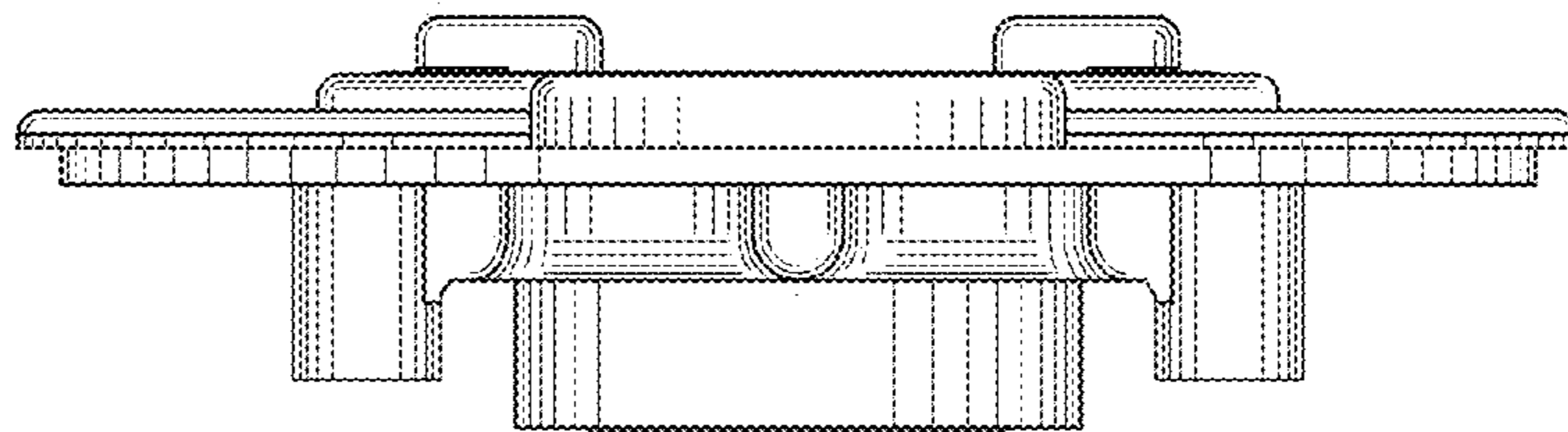


FIG. 7

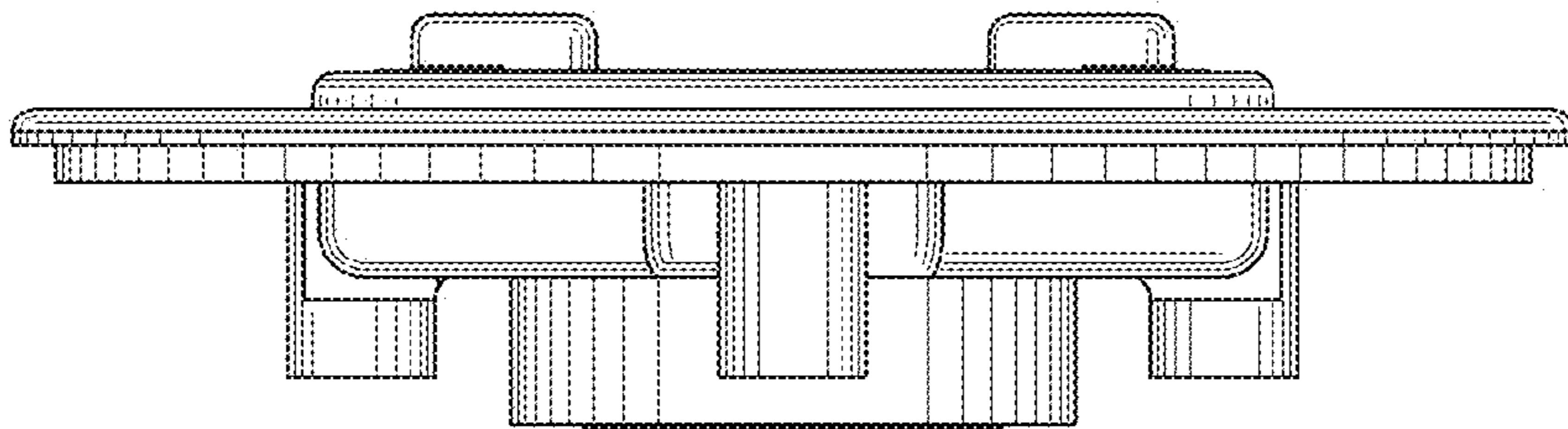


FIG. 8

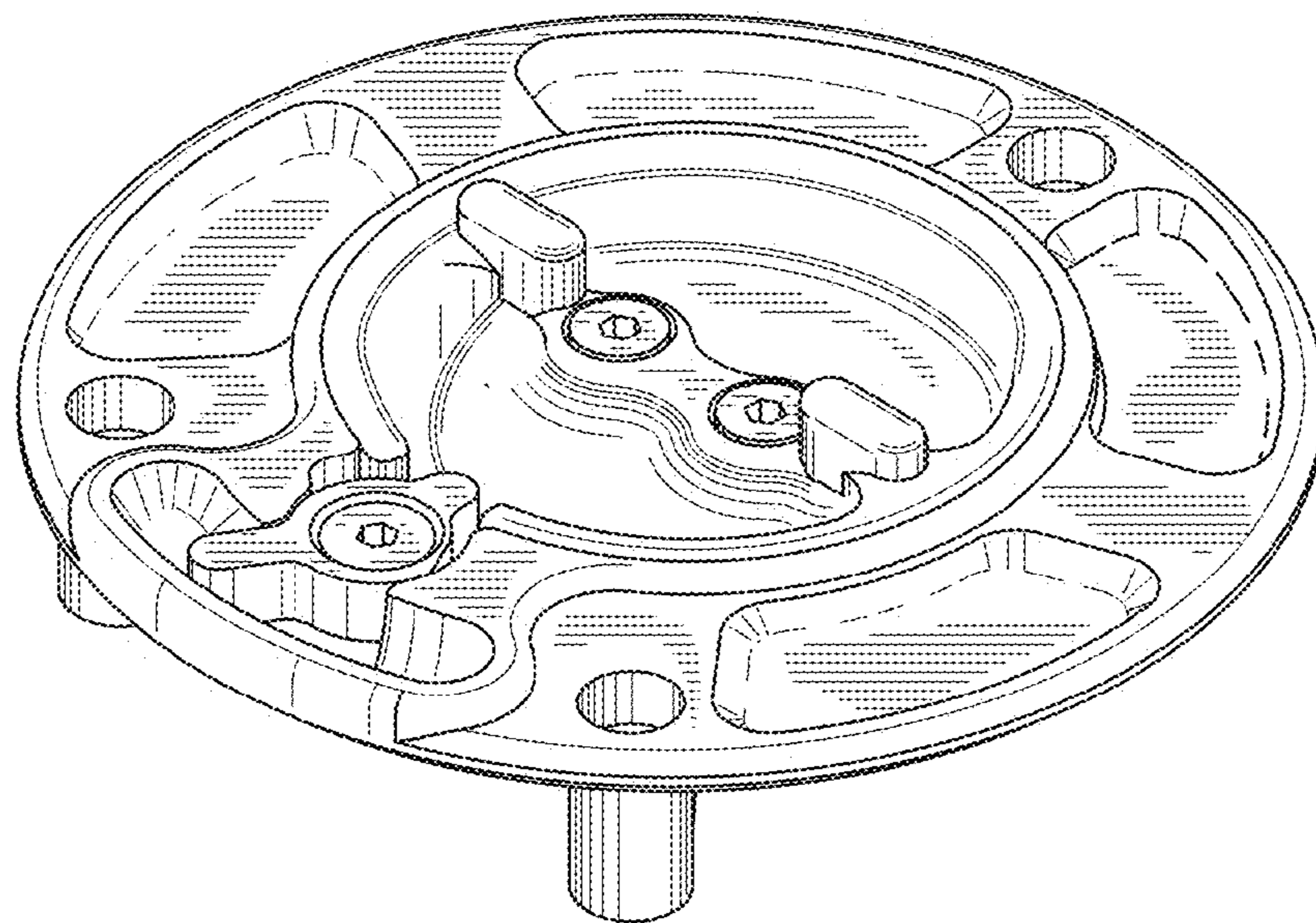


FIG. 9

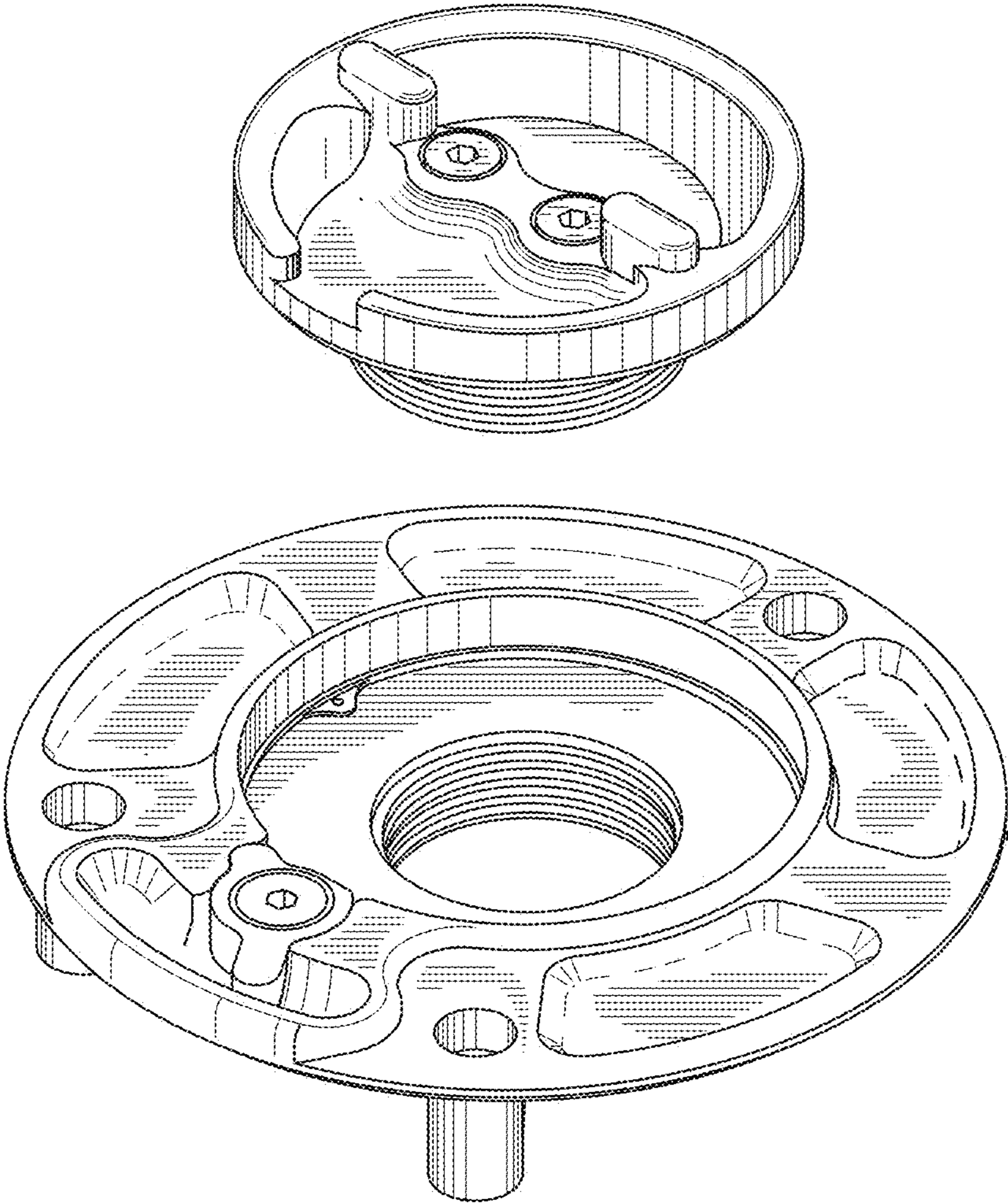


FIG. 10

