



US00D687753S

(12) **United States Design Patent**  
**Carlini**

(10) **Patent No.:** **US D687,753 S**

(45) **Date of Patent:** **\*\* Aug. 13, 2013**

(54) **FORWARD CONCAVE HANDLEBAR**

(76) Inventor: **Anthony J. Carlini**, Santa Ana, CA  
(US)

(\*\*) Term: **14 Years**

(21) Appl. No.: **29/432,468**

(22) Filed: **Sep. 14, 2012**

(51) **LOC (9) Cl.** ..... **12-11**

(52) **U.S. Cl.**  
USPC ..... **D12/178**

(58) **Field of Classification Search**

USPC ..... D12/178, 110, 111; 180/219, 220;  
280/274–280, 281.1; 74/551.1–551.8

See application file for complete search history.

(56) **References Cited**

**U.S. PATENT DOCUMENTS**

D458,566 S	6/2002	Carlini	
D542,197 S	5/2007	Carlini	
D604,212 S	11/2009	Carlini	
D621,755 S	8/2010	Carlini	
D624,858 S	10/2010	Carlini	
D629,343 S	12/2010	Carlini	
D664,079 S *	7/2012	Lujan	D12/178

\* cited by examiner

*Primary Examiner* — Susan M Lee

*Assistant Examiner* — Linda G Brooks

(74) *Attorney, Agent, or Firm* — Adli Law Group P.C.

(57) **CLAIM**

The ornamental design for a forward concave handlebar, as shown and described.

**DESCRIPTION**

FIG. 1 is a front left perspective view of a forward concave handlebar.

FIG. 2 is an elevation view of the left side of the forward concave handlebar illustrated in FIG. 1.

FIG. 3 is an elevation view of the right side of the forward concave handlebar illustrated in FIG. 1.

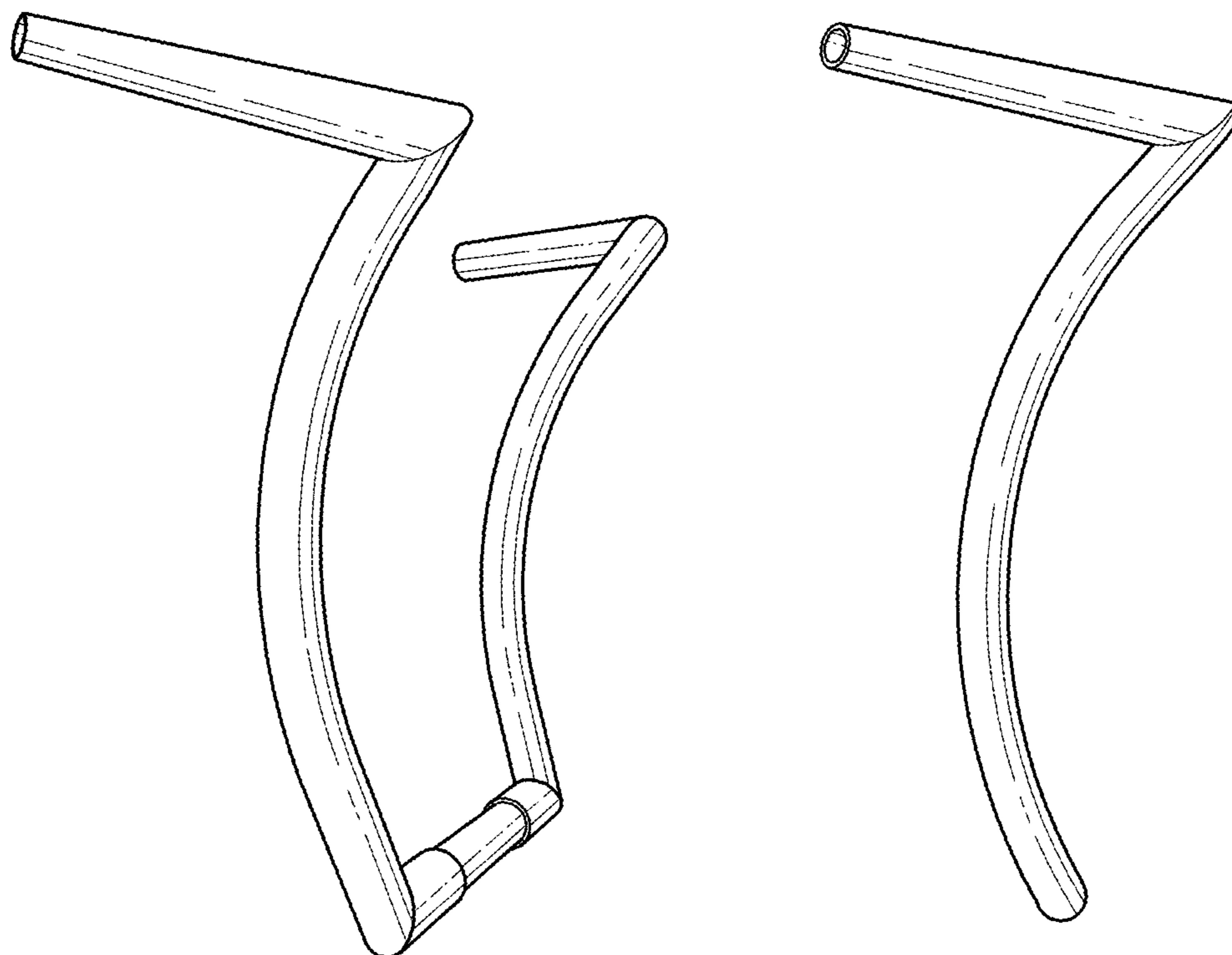
FIG. 4 is a front elevation view of the forward concave handlebar illustrated in FIG. 1.

FIG. 5 is a rear elevation view of the forward concave handlebar illustrated in FIG. 1.

FIG. 6 is a top plan view of the forward concave handlebar illustrated in FIG. 1; and,

FIG. 7 is a bottom plan view of the forward concave handlebar illustrated in FIG. 1.

**1 Claim, 3 Drawing Sheets**



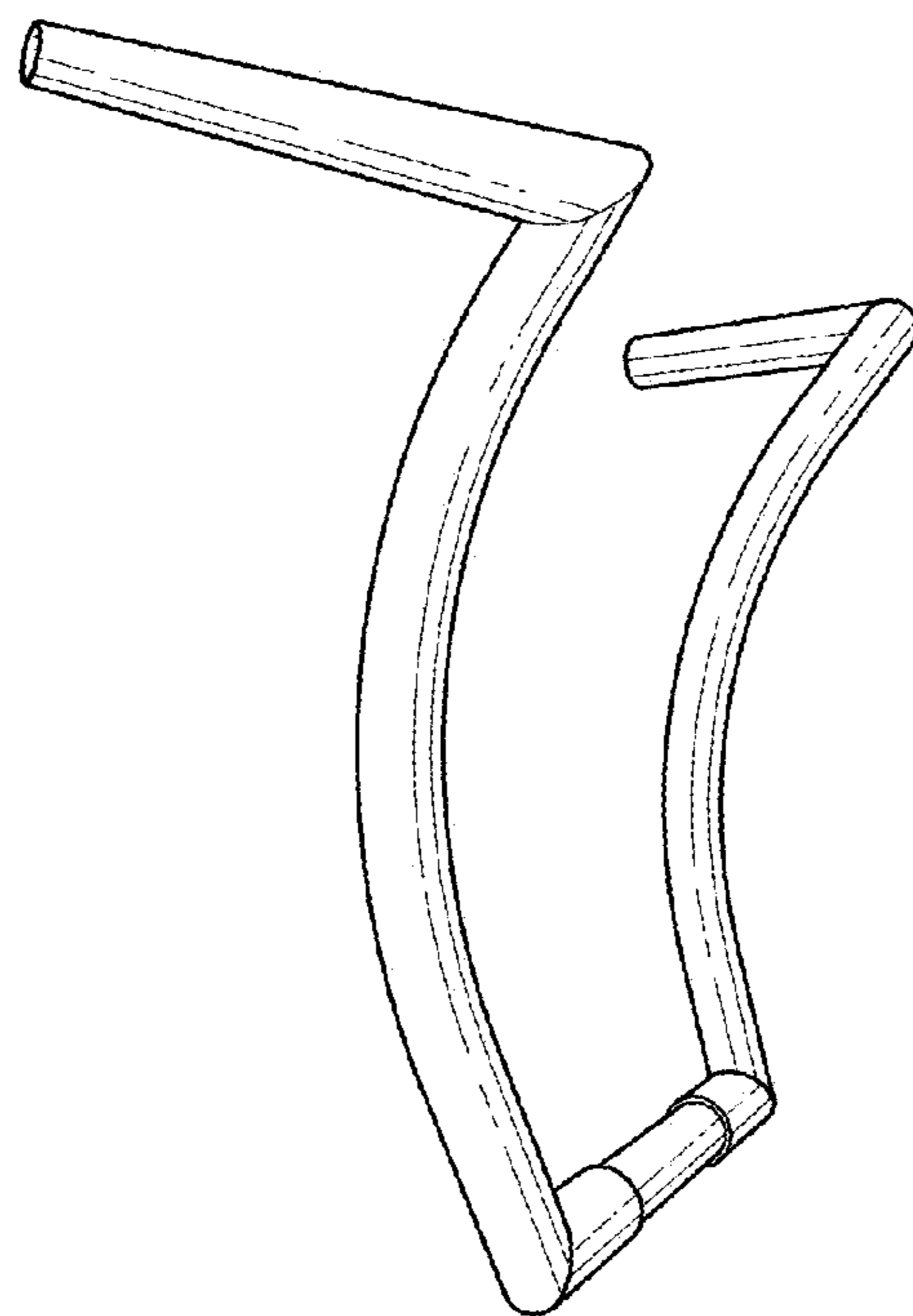


FIG. 1

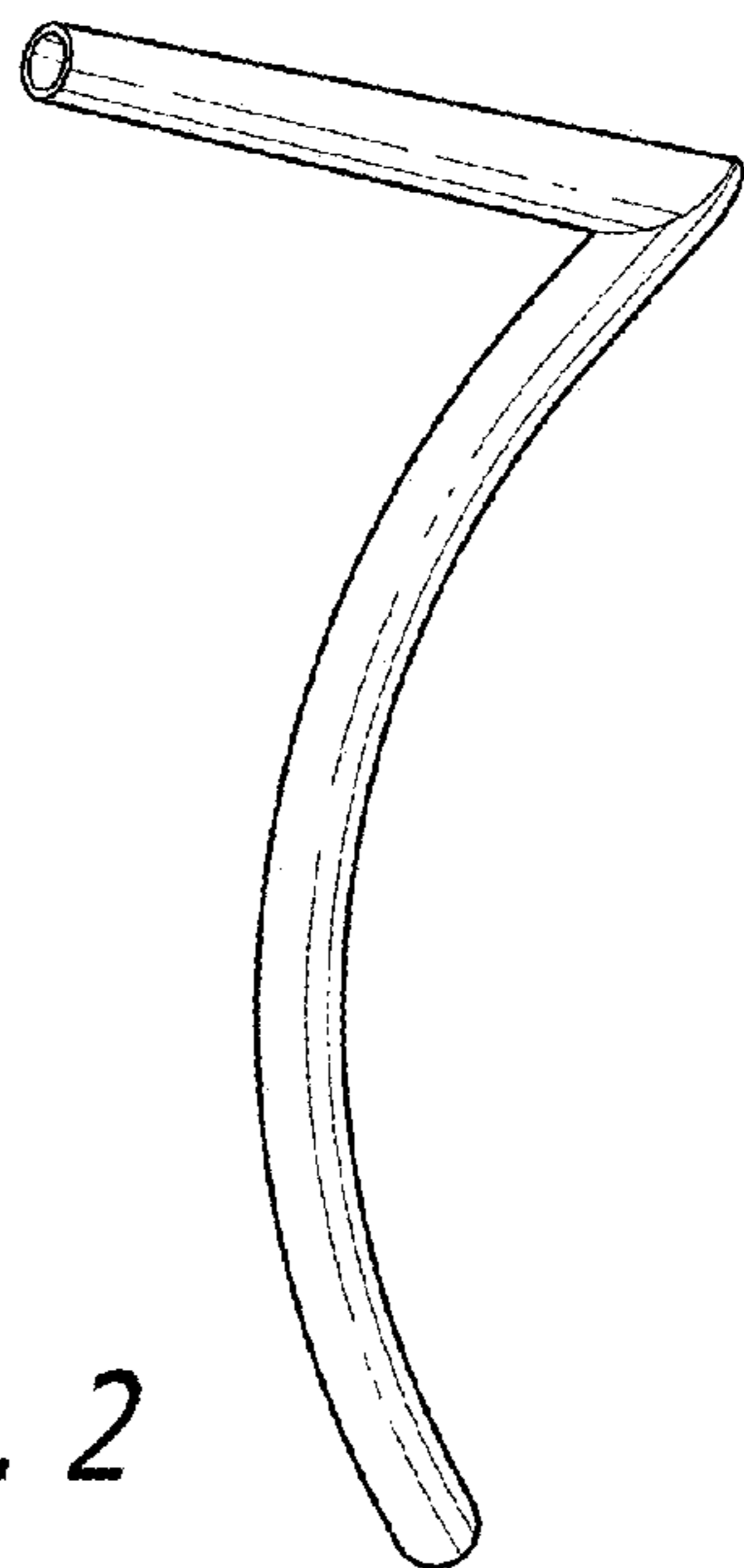


FIG. 2

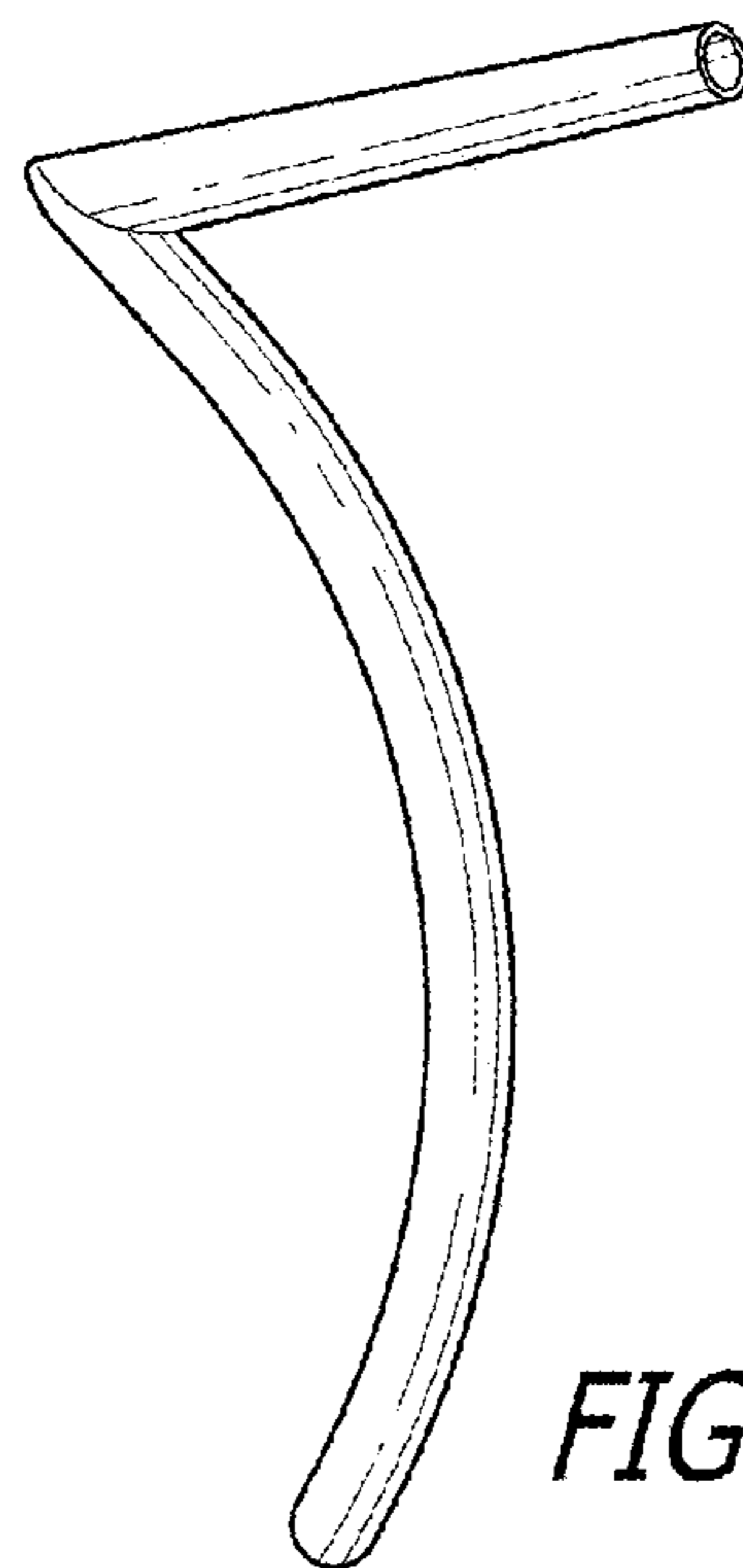
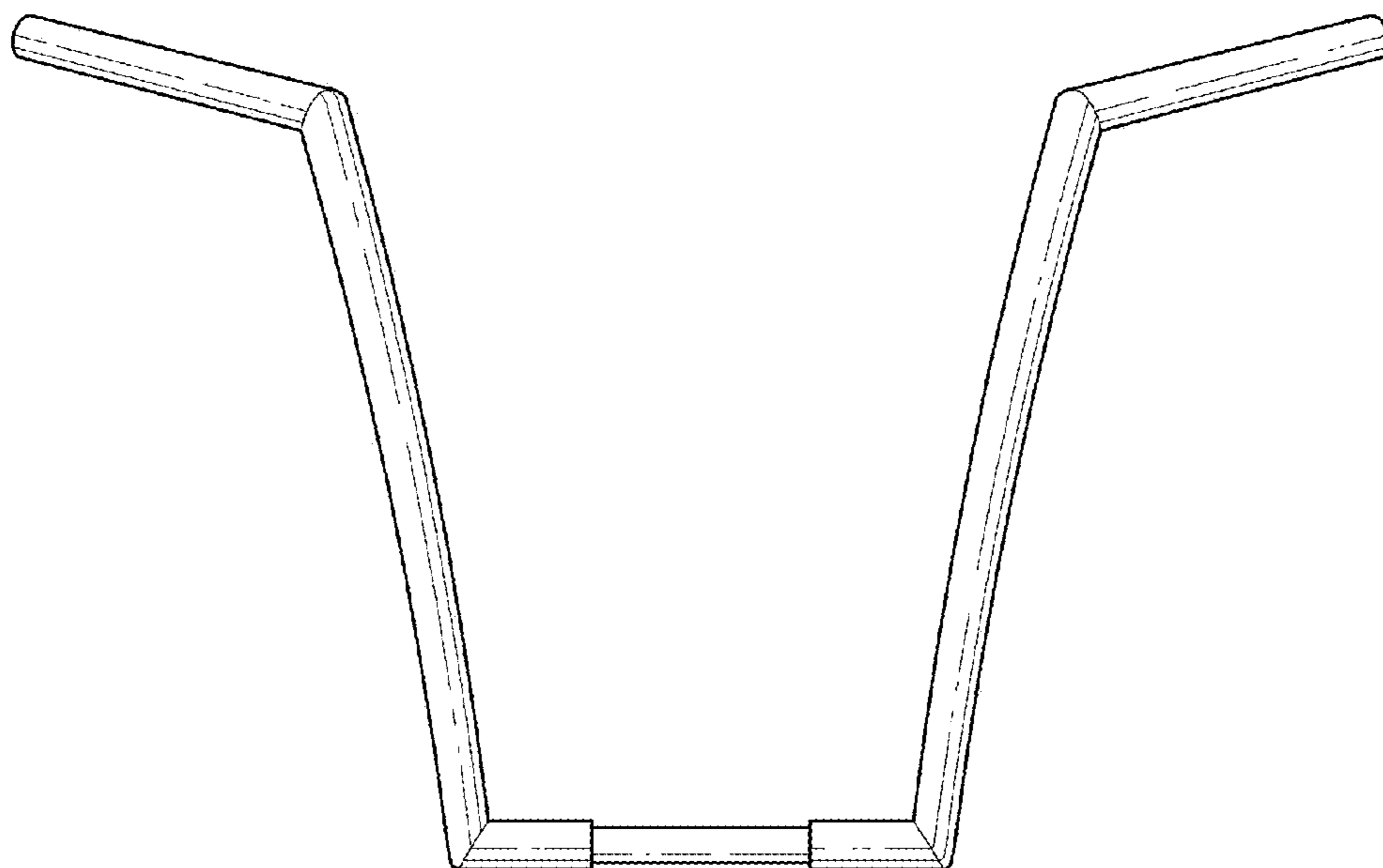
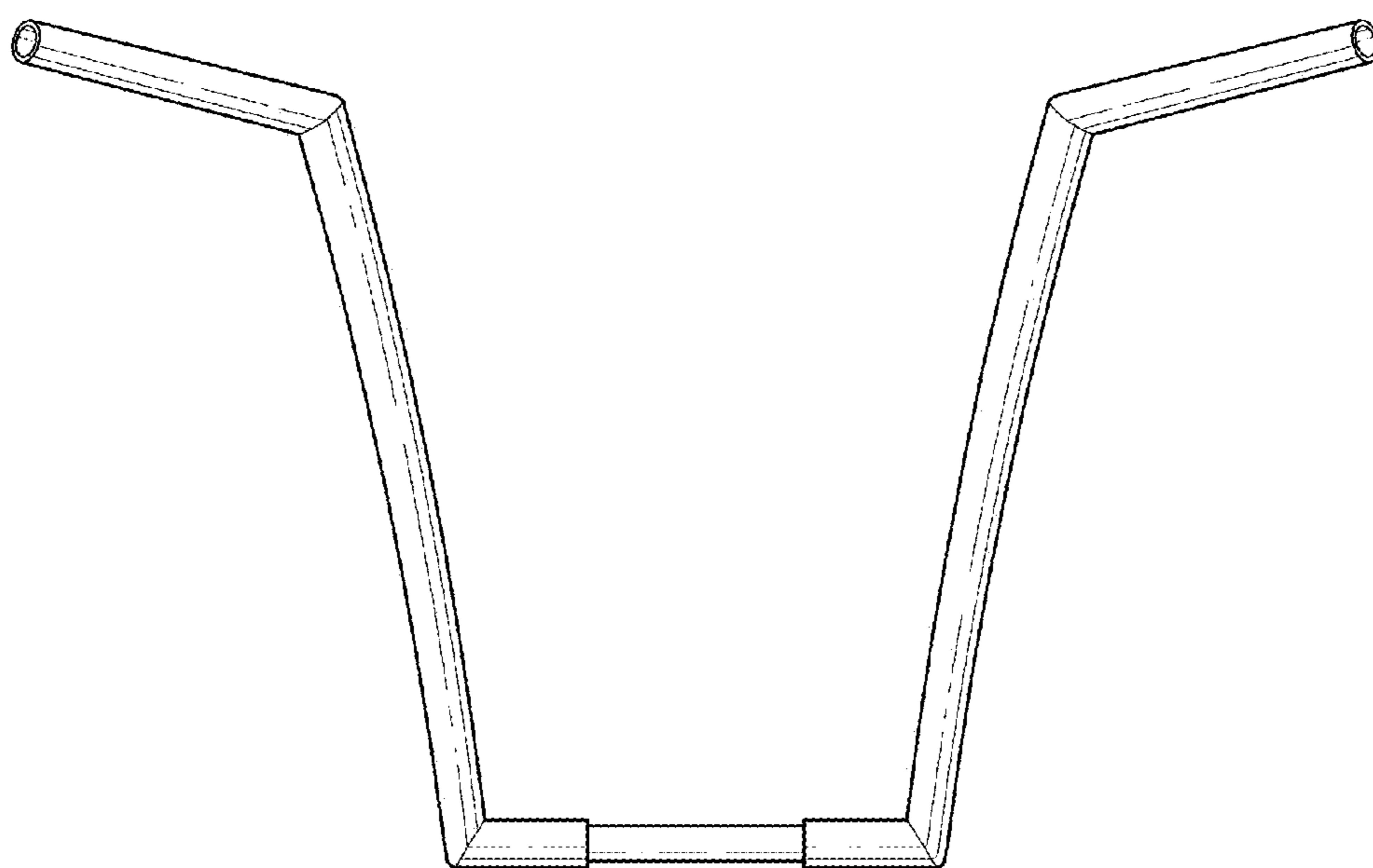


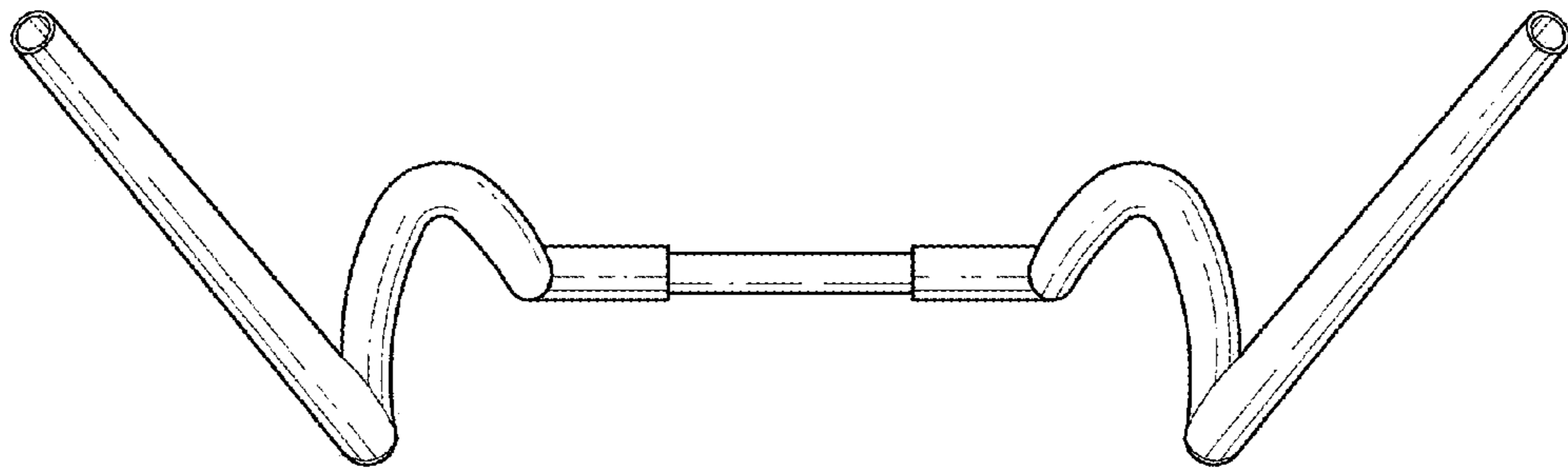
FIG. 3



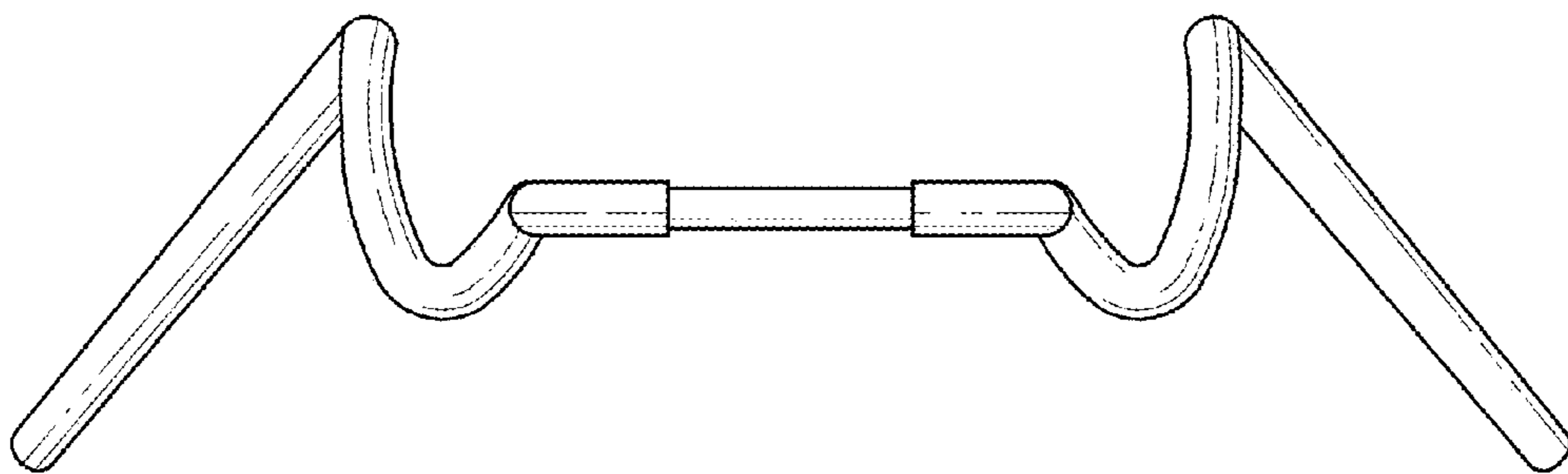
*FIG. 4*



*FIG. 5*



*FIG. 6*



*FIG. 7*