



US00D687743S

(12) **United States Design Patent**
Lin

(10) **Patent No.:** **US D687,743 S**

(45) **Date of Patent:** **** Aug. 13, 2013**

(54) **FOOT PEDAL FOR BICYCLE**

(71) Applicant: **Chang Hui Lin**, Chang Hua Hsien (TW)

(72) Inventor: **Chang Hui Lin**, Chang Hua Hsien (TW)

(**) Term: **14 Years**

(21) Appl. No.: **29/440,763**

(22) Filed: **Dec. 27, 2012**

(51) **LOC (9) Cl.** **12-11**

(52) **U.S. Cl.**
USPC **D12/125**

(58) **Field of Classification Search**
USPC D12/125, 111; 280/291; 296/75;
74/594.1, 560
See application file for complete search history.

(56) **References Cited**

U.S. PATENT DOCUMENTS

- D299,449 S * 1/1989 Chounan D12/125
- D387,706 S * 12/1997 Hanamura D12/125
- D414,723 S * 10/1999 Hanamura D12/125

- D432,463 S * 10/2000 Hanamura D12/125
- D522,414 S * 6/2006 Chen D12/125
- D524,195 S * 7/2006 Neal D12/125
- 7,827,881 B2 * 11/2010 Hermansen et al. 74/594.4

* cited by examiner

Primary Examiner — Linda G Brooks

(74) *Attorney, Agent, or Firm* — Charles E. Baxley

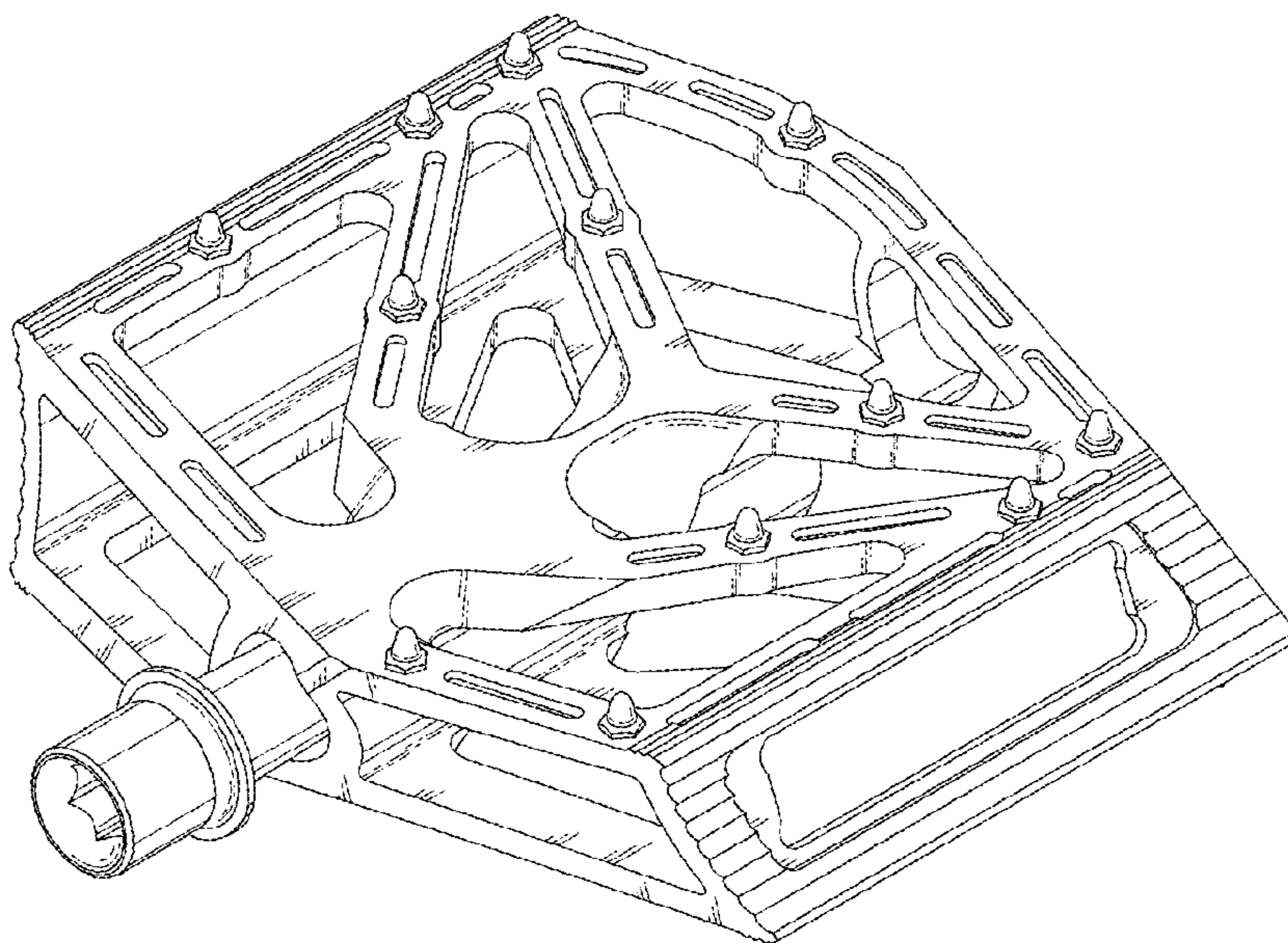
(57) **CLAIM**

The ornamental design for a foot pedal for bicycle, as shown and described.

DESCRIPTION

FIG. 1 is a perspective view of a foot pedal for bicycle showing my new design;
 FIG. 2 is a front elevational view thereof;
 FIG. 3 is a rear elevational view thereof;
 FIG. 4 is a top plan view thereof;
 FIG. 5 is a bottom plan view thereof;
 FIG. 6 is a left side elevational view thereof; and,
 FIG. 7 is a right side elevational view thereof.

1 Claim, 3 Drawing Sheets



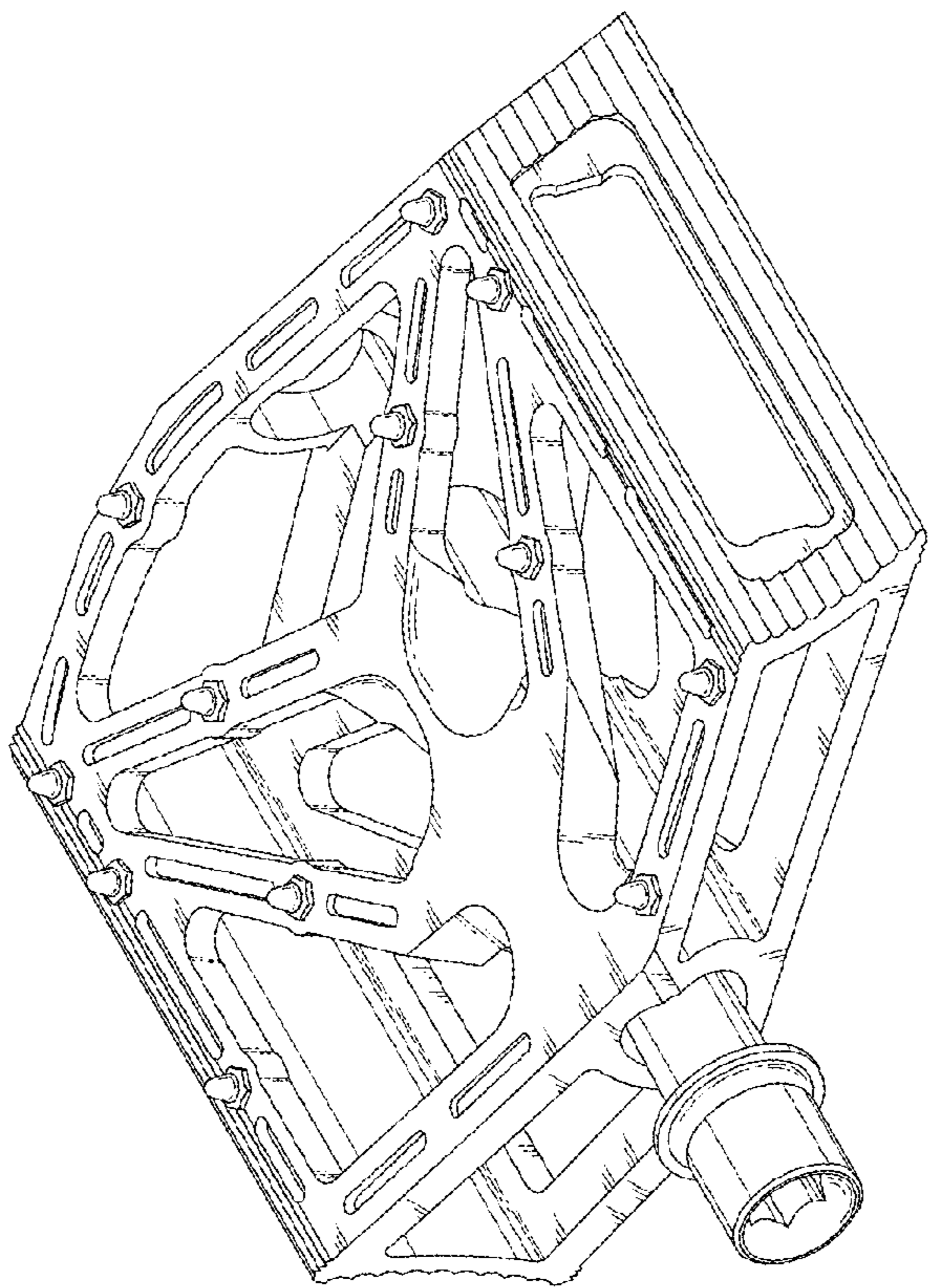


FIG. 1

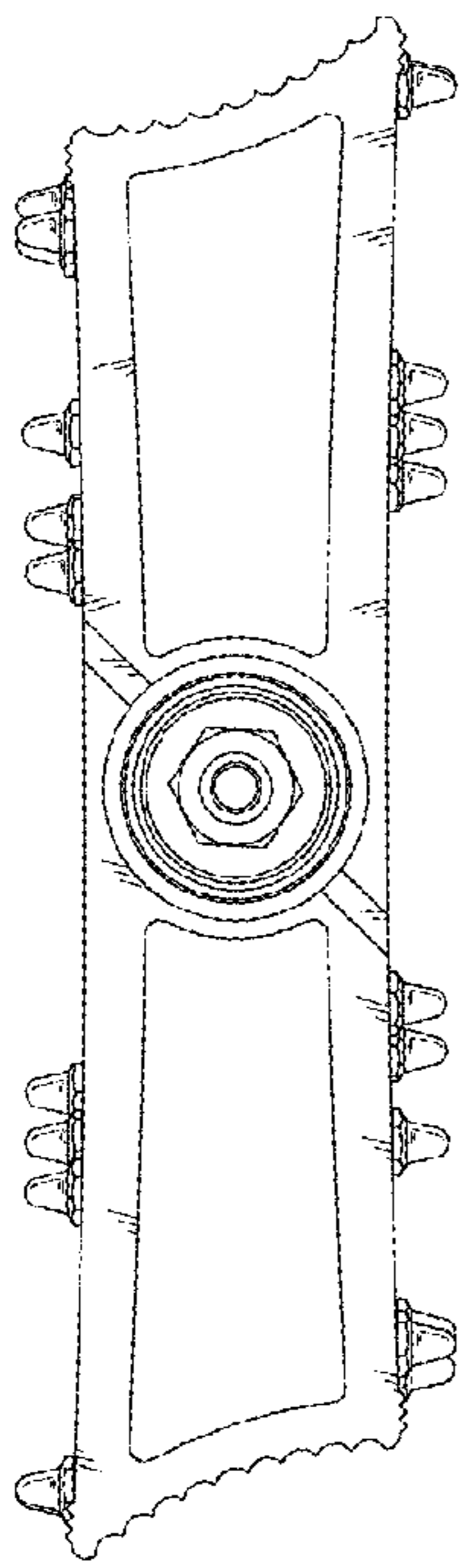


FIG. 2

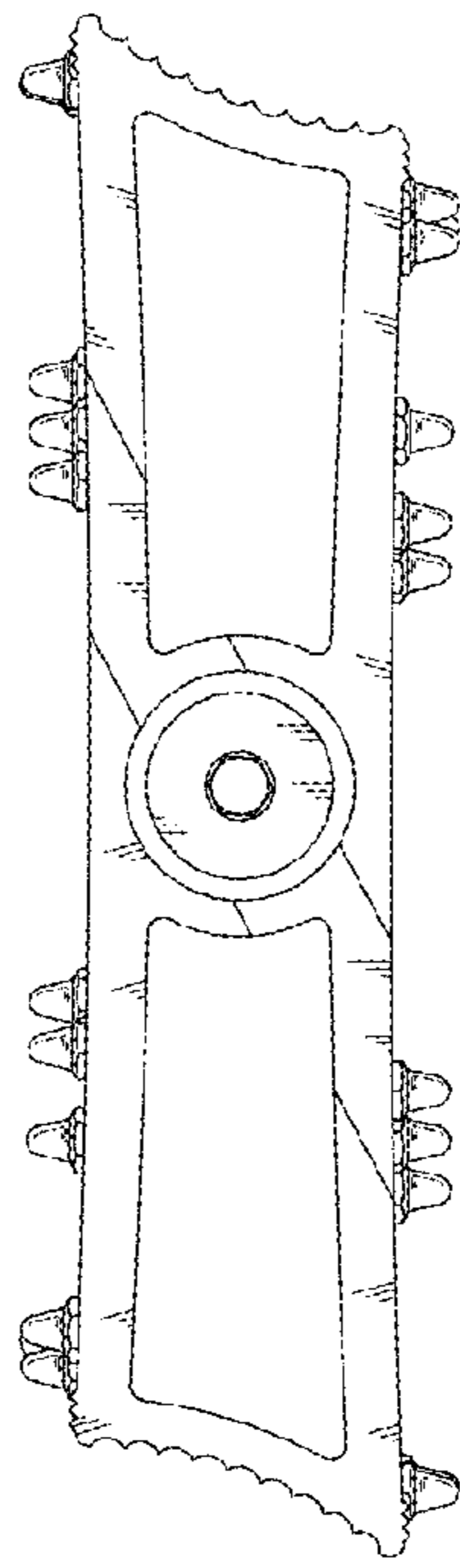


FIG. 3

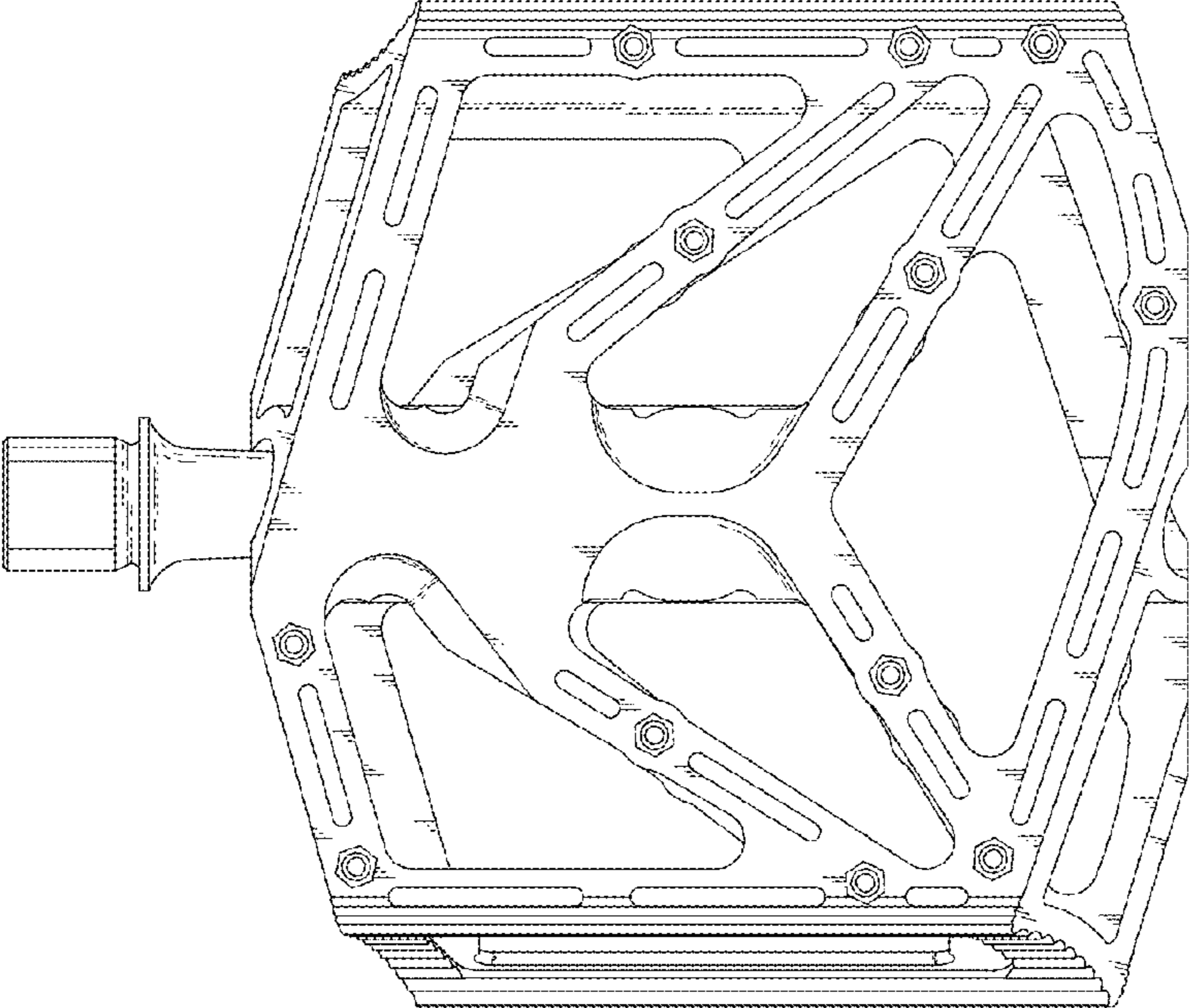


FIG. 5

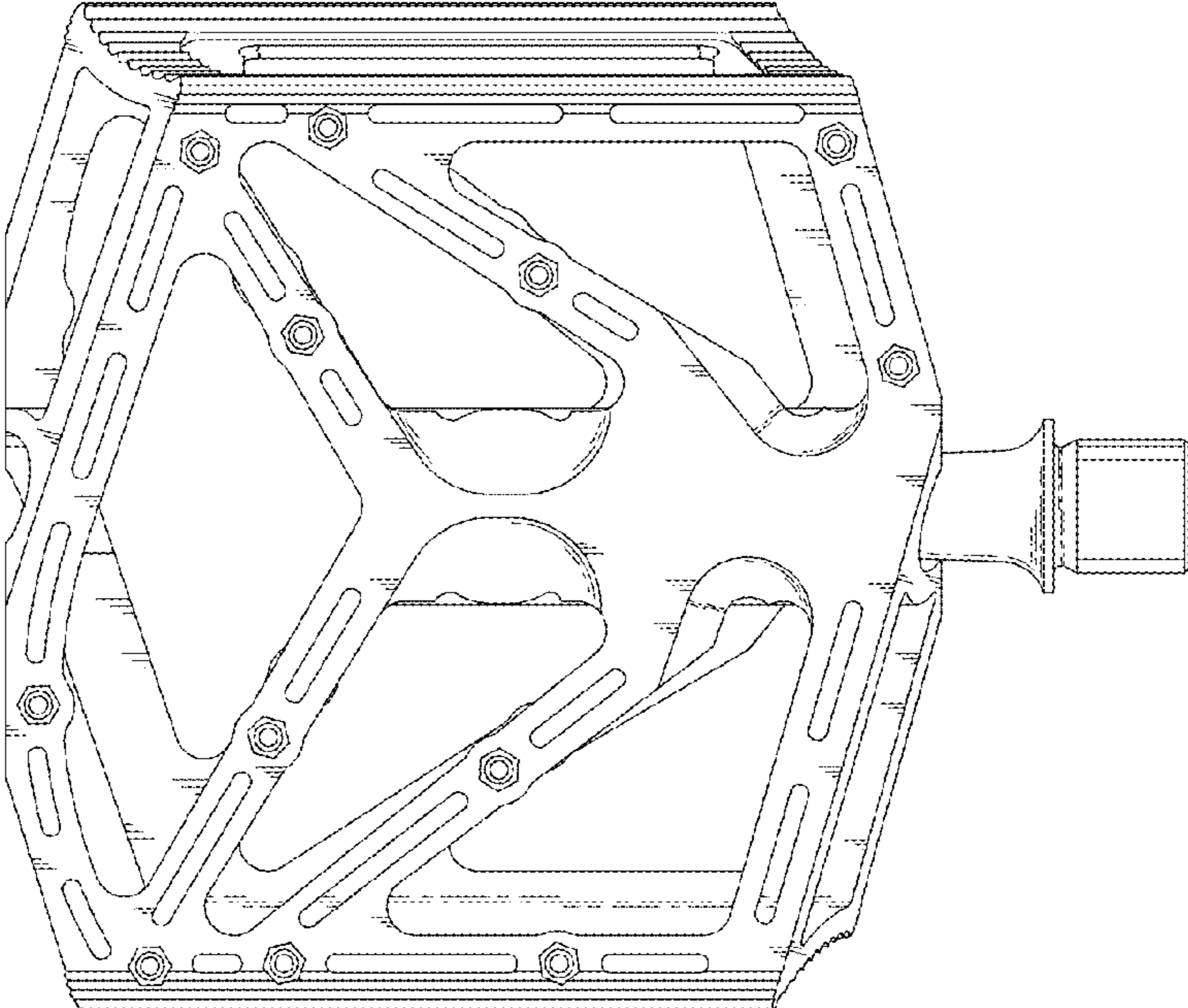


FIG. 4

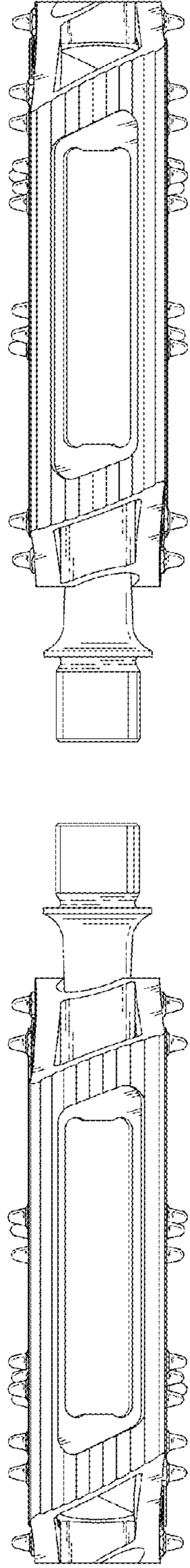


FIG. 7

FIG. 6