



US00D687741S

(12) **United States Design Patent**
Zhang

(10) **Patent No.:** **US D687,741 S**

(45) **Date of Patent:** **** Aug. 13, 2013**

(54) **ELECTRIC SCOOTER**

(76) Inventor: **Feifeng Zhang**, Jiangsu Province (CN)

(**) Term: **14 Years**

(21) Appl. No.: **29/424,904**

(22) Filed: **Jun. 18, 2012**

(30) **Foreign Application Priority Data**

Apr. 25, 2012 (CN) 2012 3 0131194

(51) **LOC (9) Cl.** **12-11**

(52) **U.S. Cl.**
USPC **D12/110**

(58) **Field of Classification Search**
USPC D12/110, 112; 180/219, 220, 65.1,
180/68.1, 68.2, 68.5, 205.1, 206.1, 207.1,
180/65.31, 210-217; 280/282

See application file for complete search history.

(56) **References Cited**

U.S. PATENT DOCUMENTS

D222,242	S	*	10/1971	Delaney et al.	D12/110
D267,637	S	*	1/1983	Ohba	D12/110
D267,792	S	*	2/1983	Ohba	D12/110
D267,862	S	*	2/1983	Kimura et al.	D12/110
D268,660	S	*	4/1983	Ohba	D12/110
D268,747	S	*	4/1983	Ito	D12/110
6,655,483	B2	*	12/2003	Hayashi	180/65.1

* cited by examiner

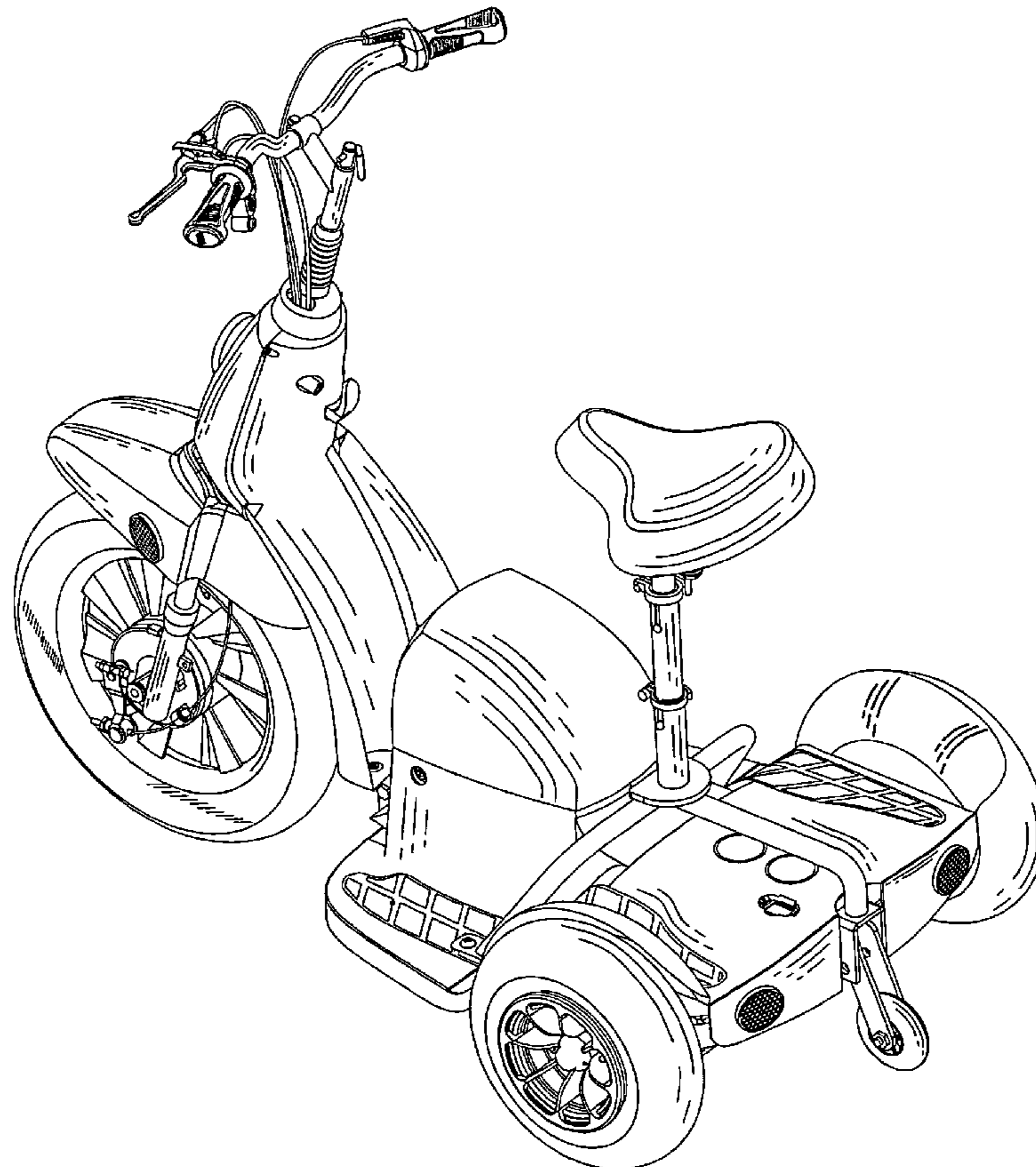
Primary Examiner — Susan M Lee
Assistant Examiner — Linda Brooks

(57) **CLAIM**
The ornamental design for an electric scooter, as shown.

DESCRIPTION

FIG. 1 is a front elevational view of an electric scooter showing my new design;
FIG. 2 is a rear elevational view thereof;
FIG. 3 is a left side view thereof;
FIG. 4 is a right side view thereof;
FIG. 5 is a top plan view thereof;
FIG. 6 is a bottom plan view thereof; and,
FIG. 7 is a perspective view thereof.

1 Claim, 7 Drawing Sheets



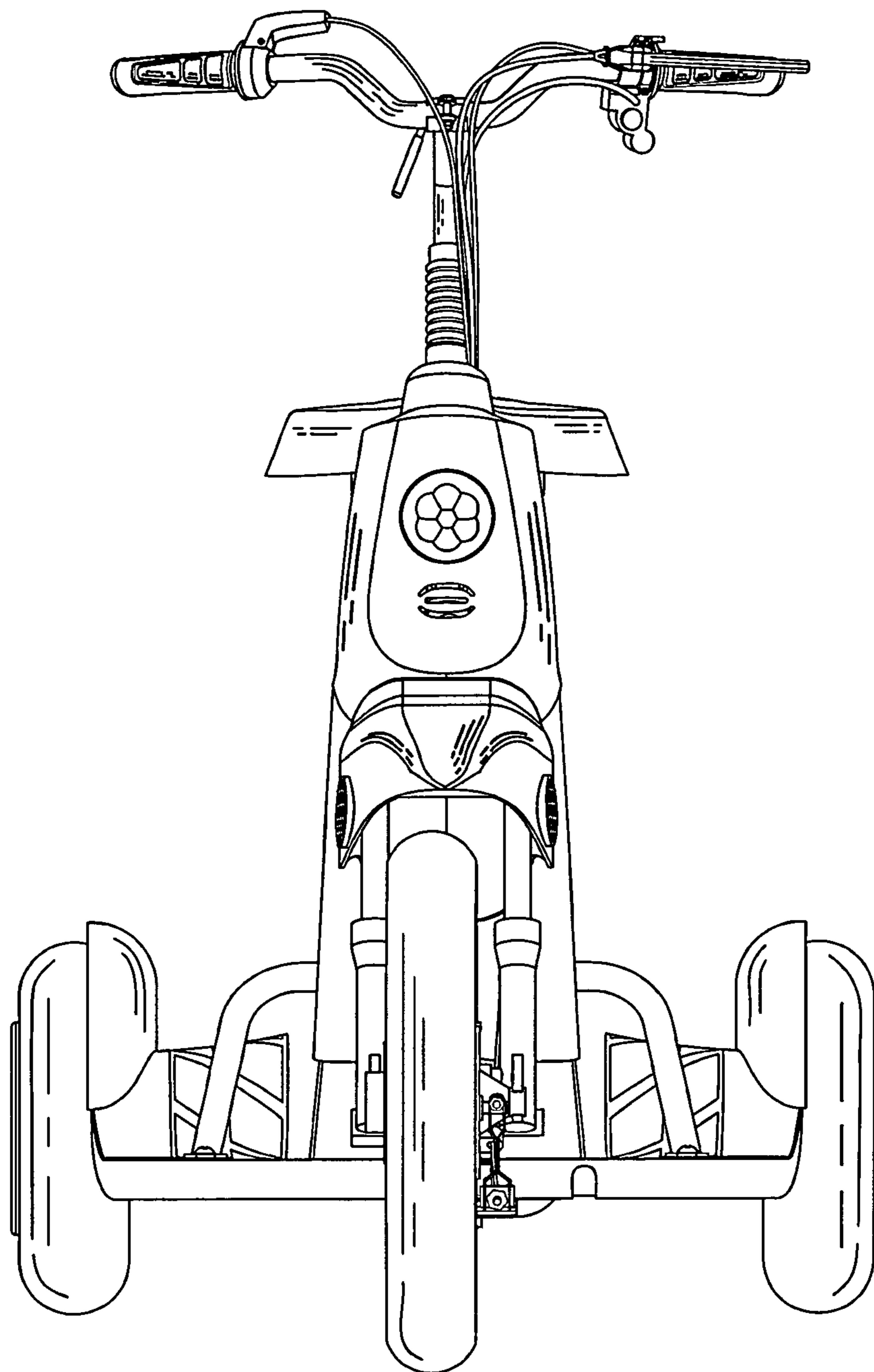


FIG. 1

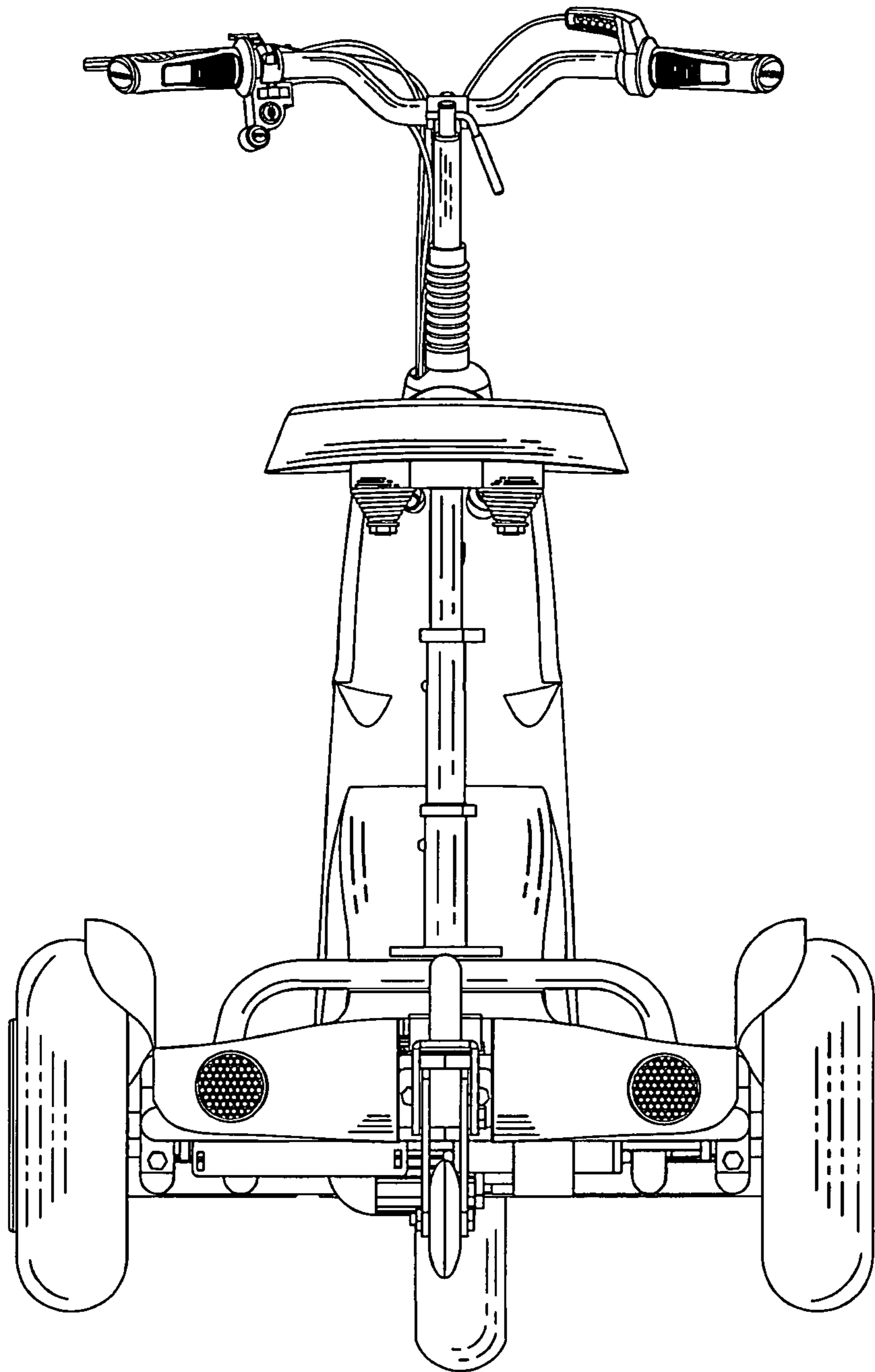


FIG. 2

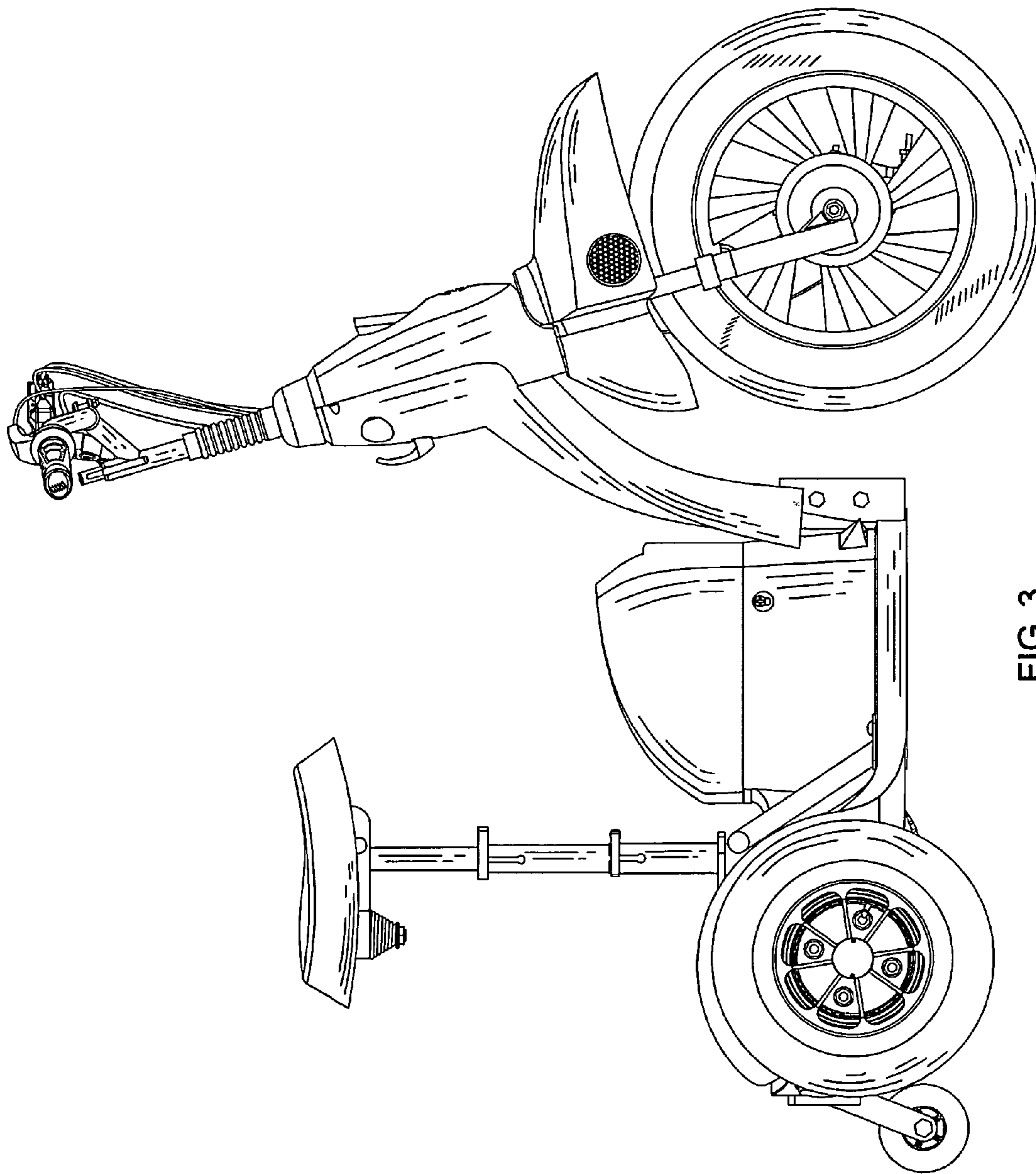


FIG. 3

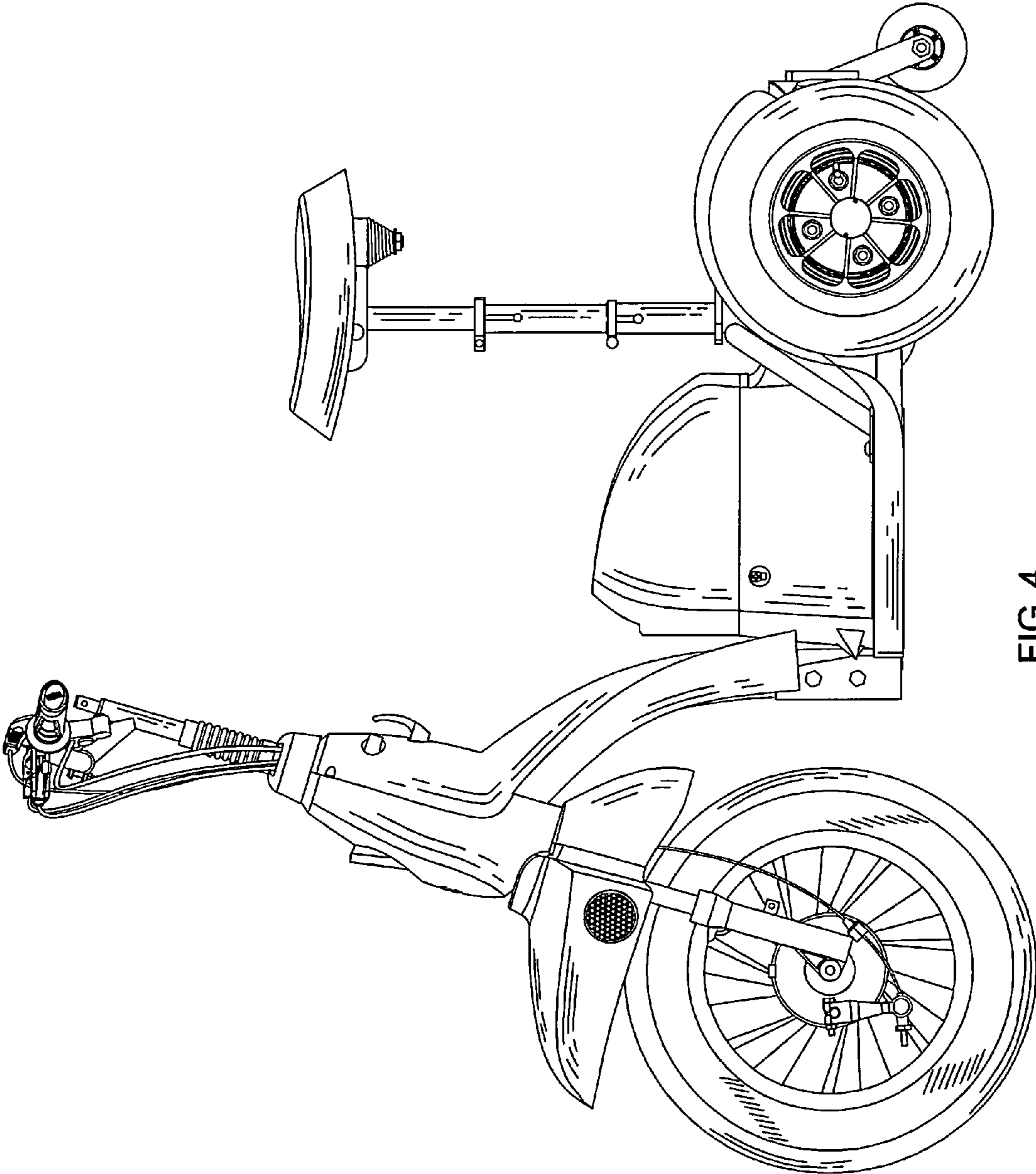


FIG. 4

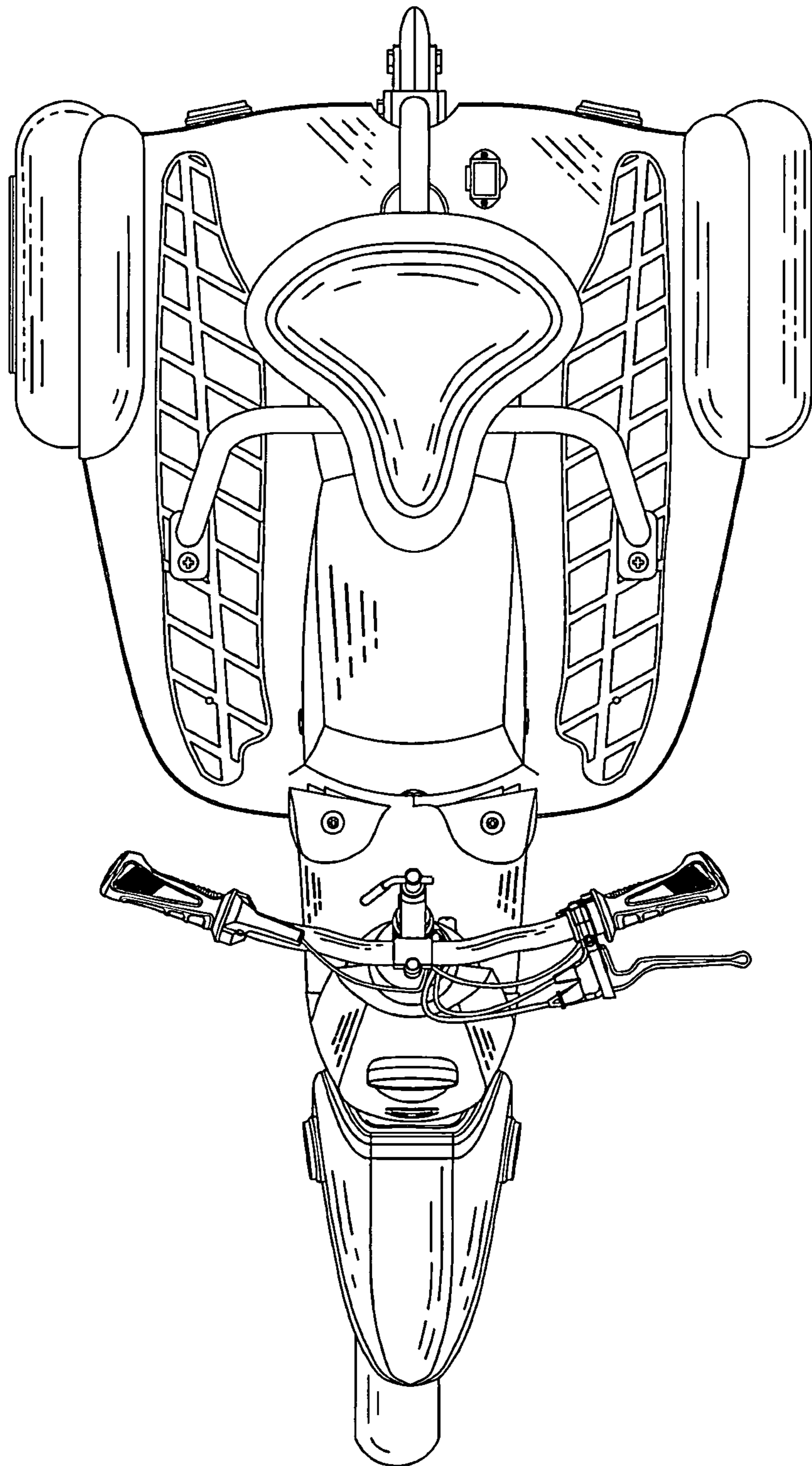


FIG. 5

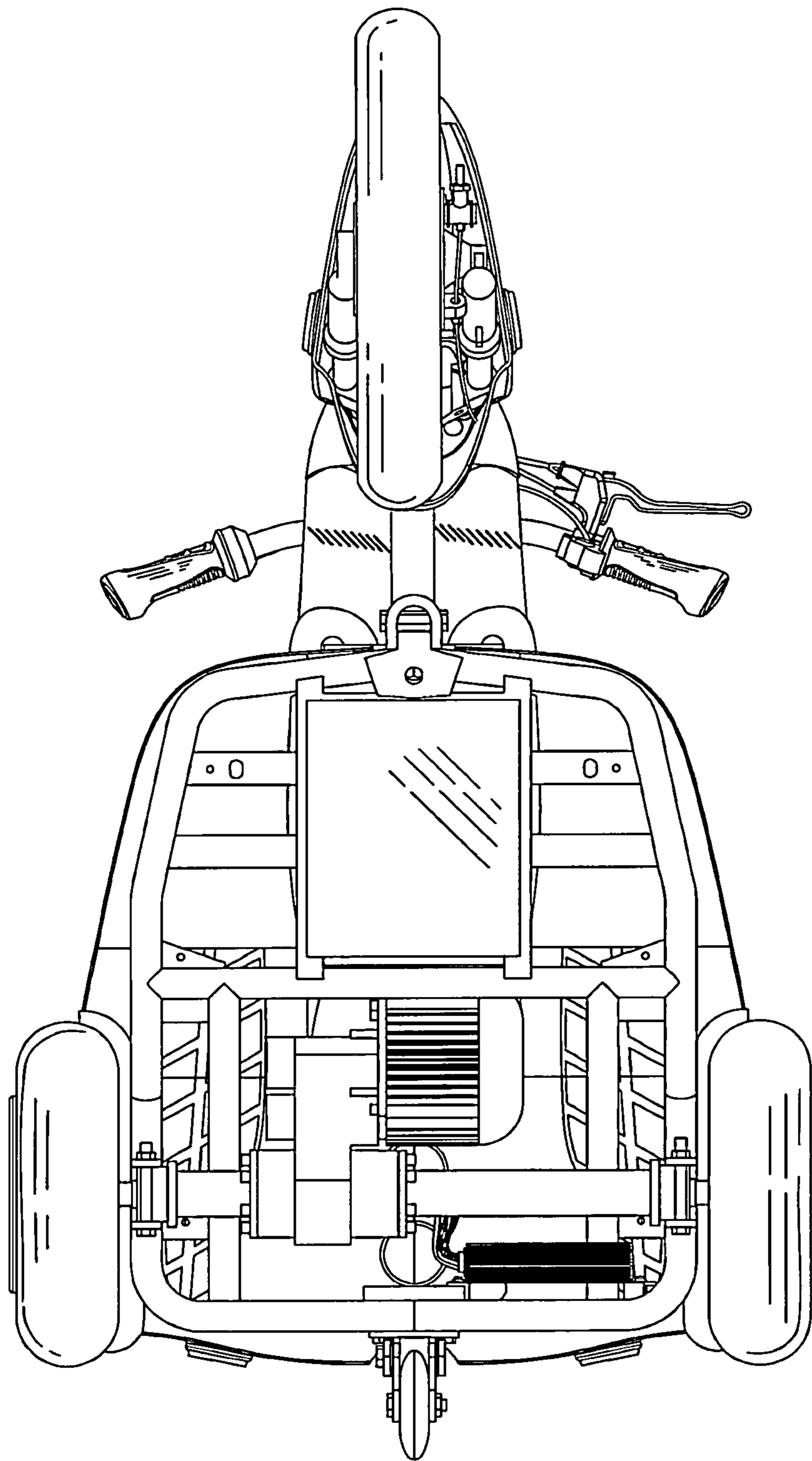


FIG. 6

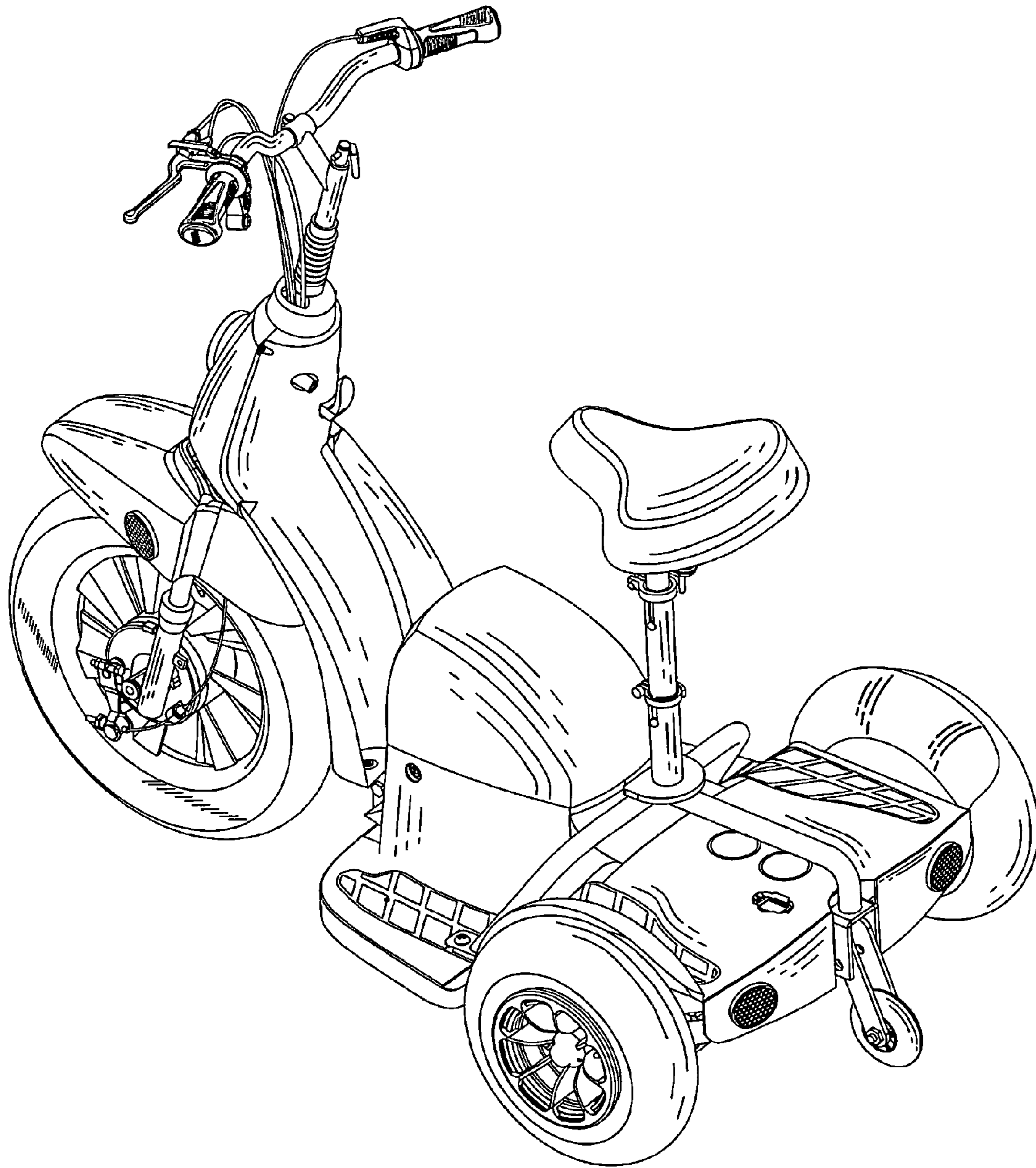


FIG. 7