



US00D687740S

(12) **United States Design Patent**
Yamanaka et al.

(10) **Patent No.:** **US D687,740 S**
(45) **Date of Patent:** **** Aug. 13, 2013**

(54) **PASSENGER CAR**

(75) Inventors: **Toru Yamanaka**, Nagoya (JP);
Nobuhiko Shimizu, Nagoya (JP);
Kosaku Hashimoto, Nagoya (JP);
Yukitane Kimoto, Nagoya (JP); **Yoshito Kuroda**, Nagoya (JP); **Yuki Sakamoto**, Nagoya (JP); **Gordon Murray**, Puttenham (GB); **Barry Lett**, Chobham (GB); **Frank Coppuck**, Hartley Wintney (GB); **Kevin Richards**, Guildford (GB); **Andy Jones**, Shoreham-by-Sea (GB); **Mark Lewis**, Shepperton (GB); **Zachary Seward**, Purley (GB)

(73) Assignee: **Toray Industries, Inc.**, Nagoya-Shi (JP)

(**) Term: **14 Years**

(21) Appl. No.: **29/415,221**

(22) Filed: **Mar. 8, 2012**

(30) **Foreign Application Priority Data**

Sep. 8, 2011 (JP) 2011-020471

(51) **LOC (9) Cl.** **12-08**

(52) **U.S. Cl.**
USPC **D12/92**

(58) **Field of Classification Search**
USPC D12/86, 90-92, 88; D21/424, 433,
D21/434; 296/181.1, 181.5
See application file for complete search history.

(56) **References Cited**

U.S. PATENT DOCUMENTS

D219,584 S 12/1970 McQueen

D219,813 S 2/1971 McQueen
D283,469 S 4/1986 Zimmerman
D398,164 S 9/1998 Shovlowsky
D406,475 S 3/1999 Shovlowsky
D411,690 S 6/1999 Kneip et al.
D458,465 S 6/2002 Boulay et al.
D513,894 S 1/2006 Juraschek
D587,025 S 2/2009 Juraschek
D655,097 S 3/2012 Paetzel
D671,457 S * 11/2012 Goto et al. D12/92

OTHER PUBLICATIONS

U.S. Appl. No. 29/415,242; First Named Inventor: Toru Yamanaka; Title: "Automotive Seat"; filed Mar. 8, 2012.

U.S. Appl. No. 29/415,203; First Named Inventor: Toru Yamanaka; Title: "Automobile Control Panel"; filed Mar. 8, 2012.

* cited by examiner

Primary Examiner — Melody Brown

(74) *Attorney, Agent, or Firm* — Holtz, Holtz, Goodman & Chick, P.C.

(57) **CLAIM**

The ornamental design for a passenger car, as shown and described.

DESCRIPTION

FIG. 1 is a top, front, left side perspective view of a passenger car showing our new design;

FIG. 2 is a top, rear, right side perspective view thereof;

FIG. 3 is a left side view thereof;

FIG. 4 is a right side view thereof;

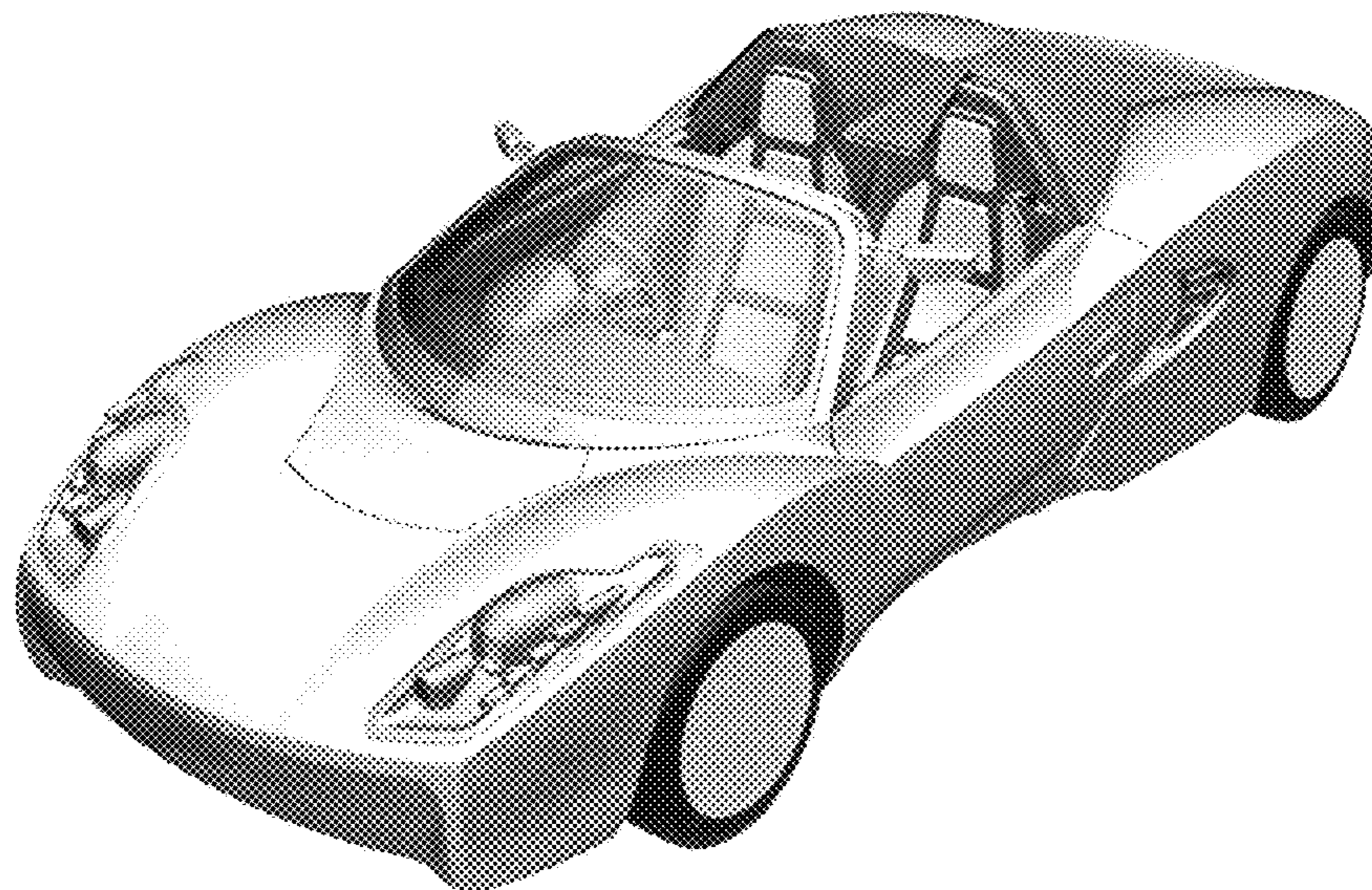
FIG. 5 is a top plan view thereof;

FIG. 6 is a bottom plan view thereof;

FIG. 7 is a rear view thereof; and,

FIG. 8 is a front view thereof.

1 Claim, 3 Drawing Sheets



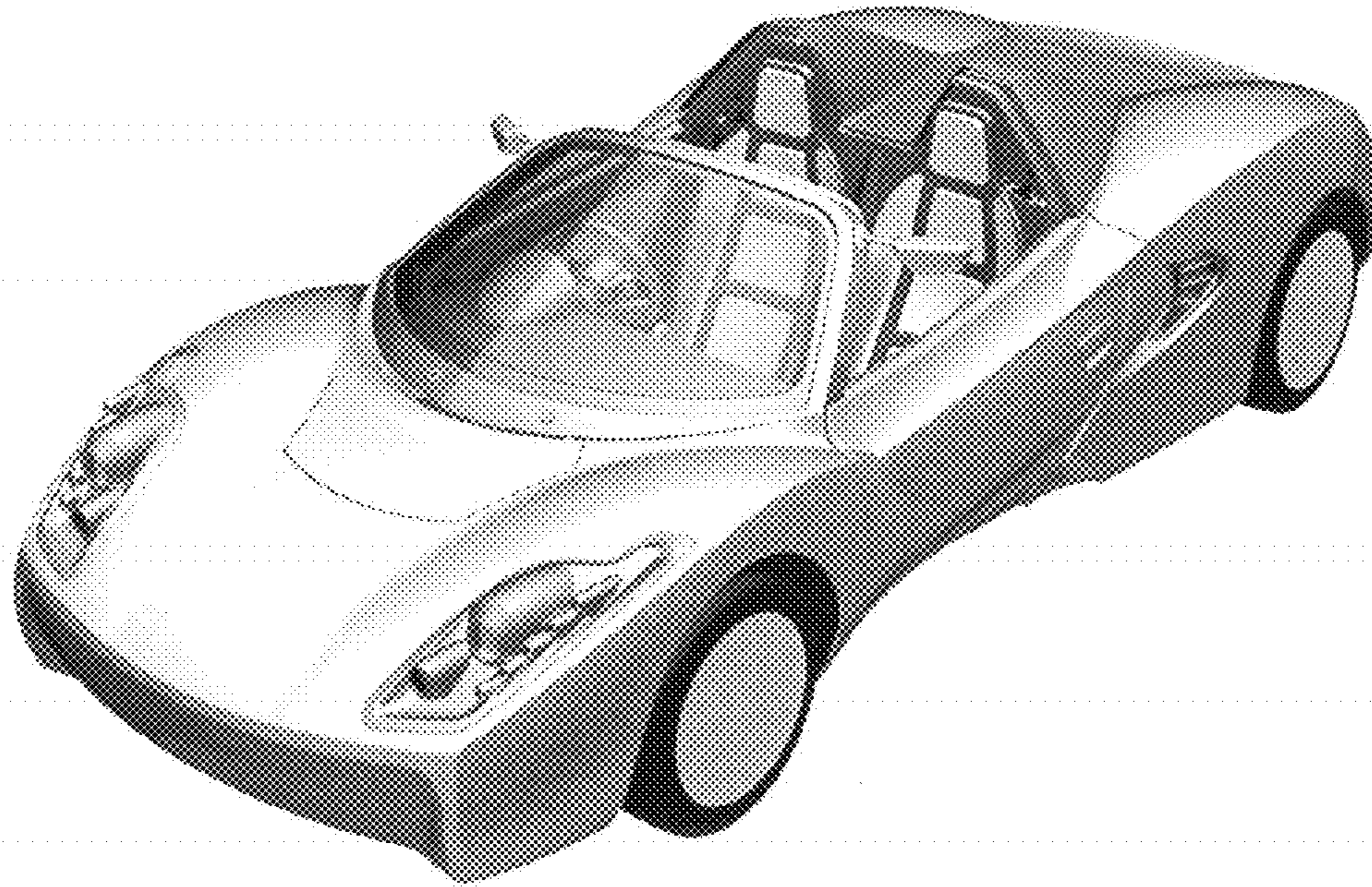


Fig. 1

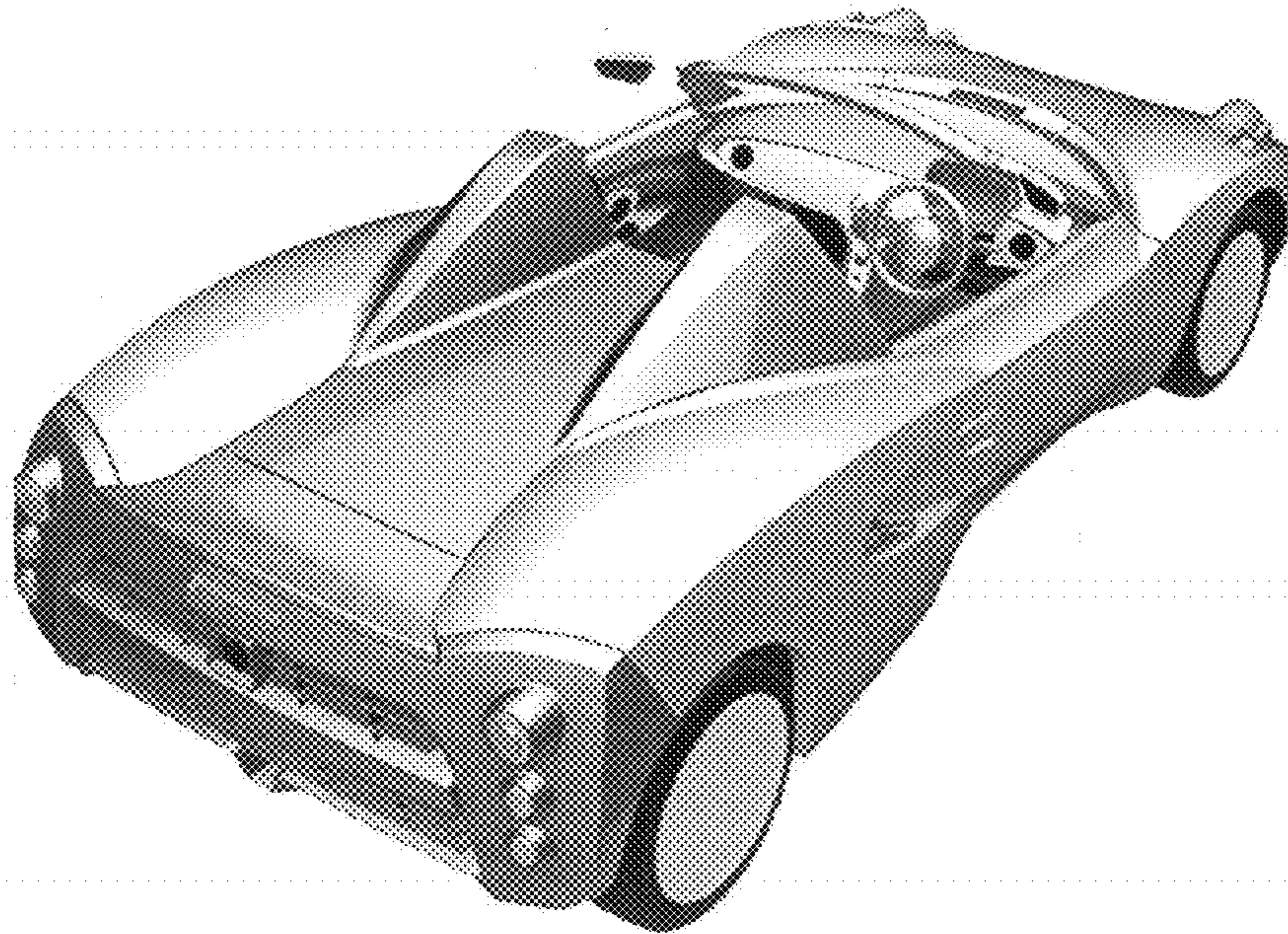


Fig. 2

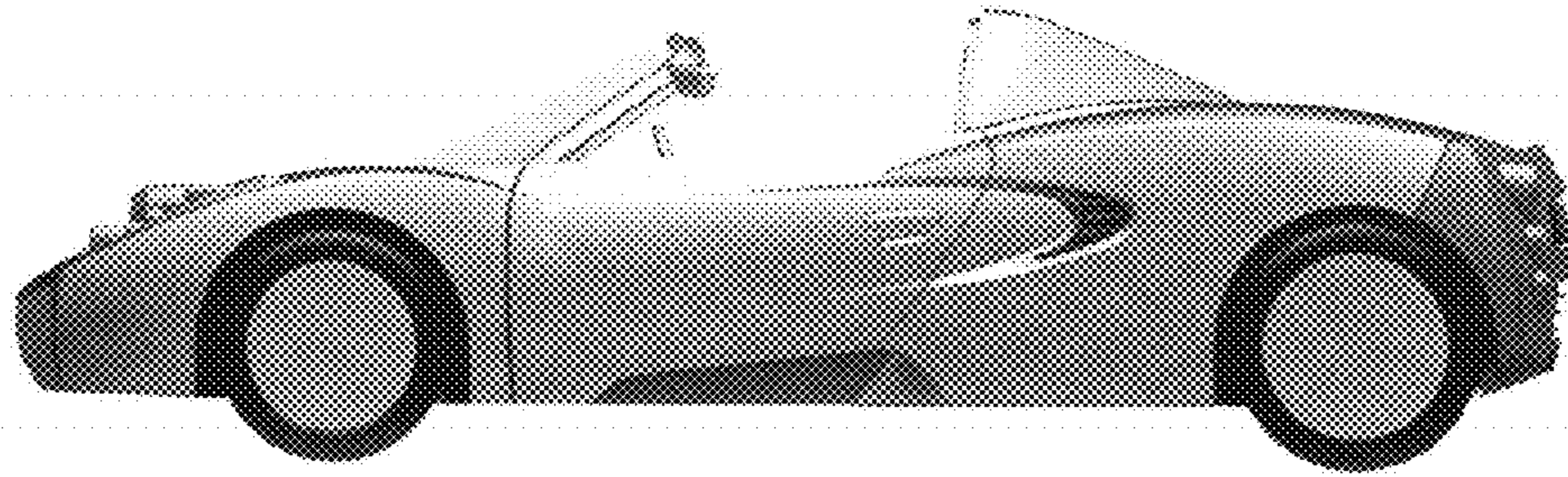


Fig. 3

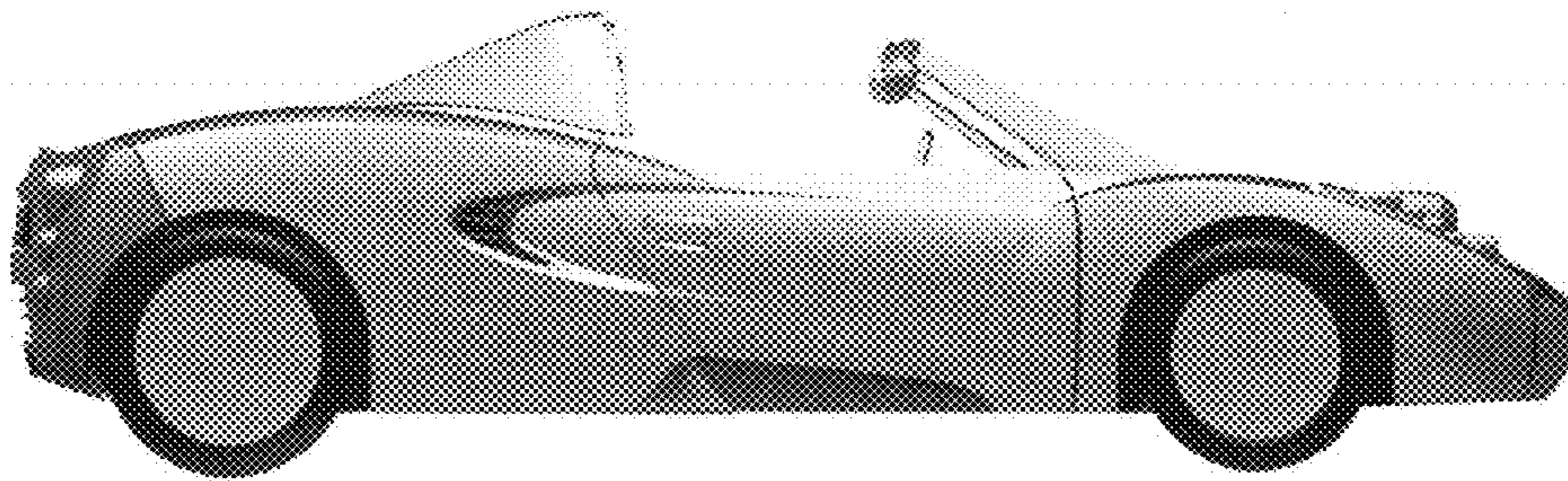


Fig. 4

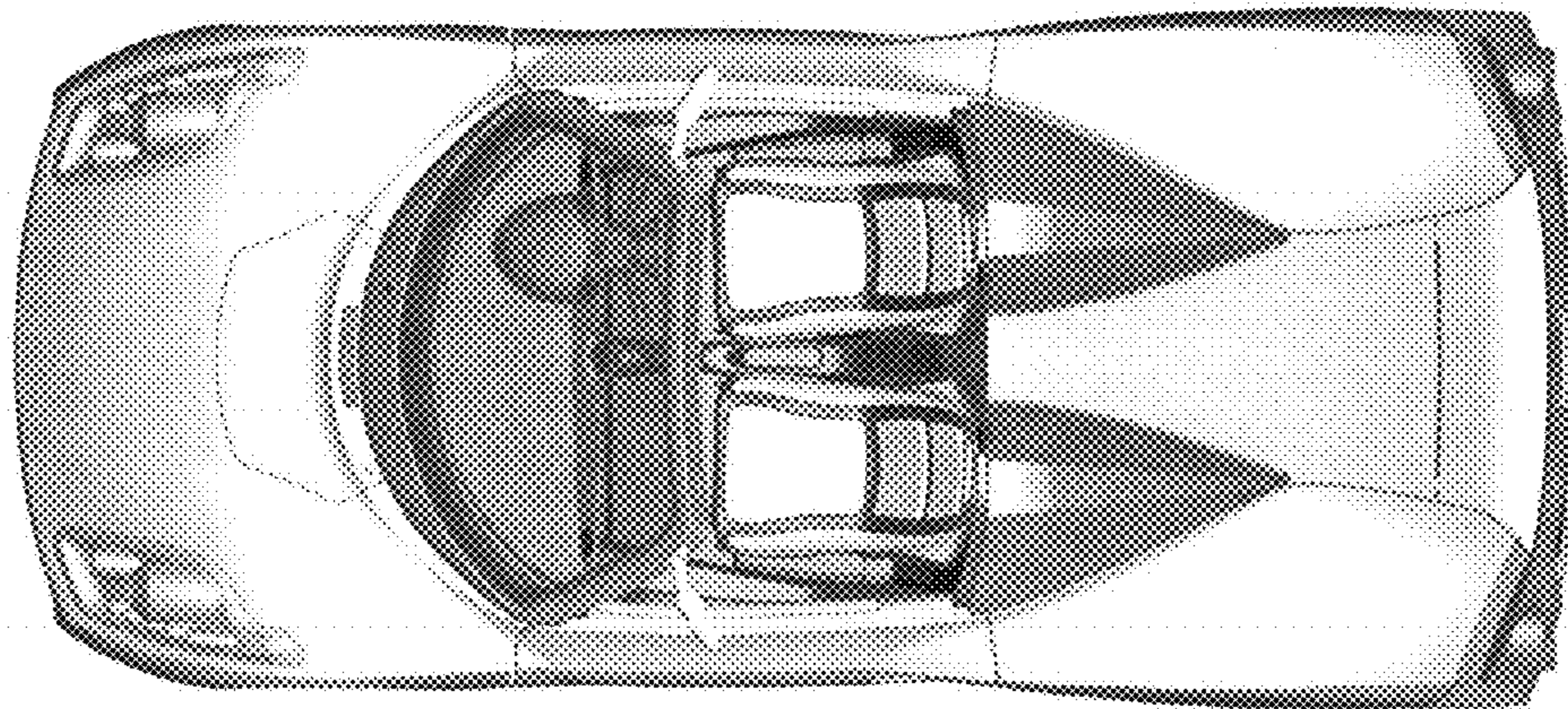


Fig. 5

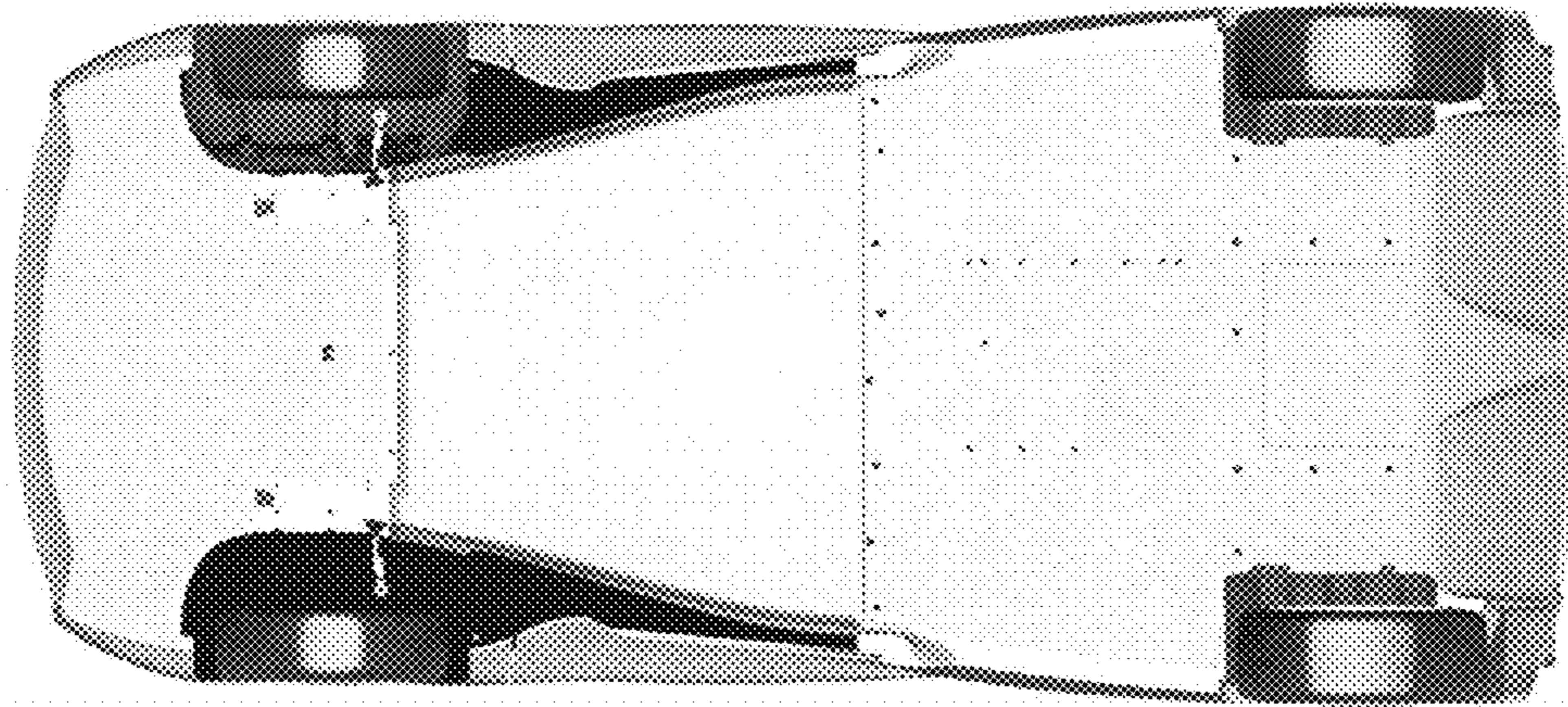


Fig. 6

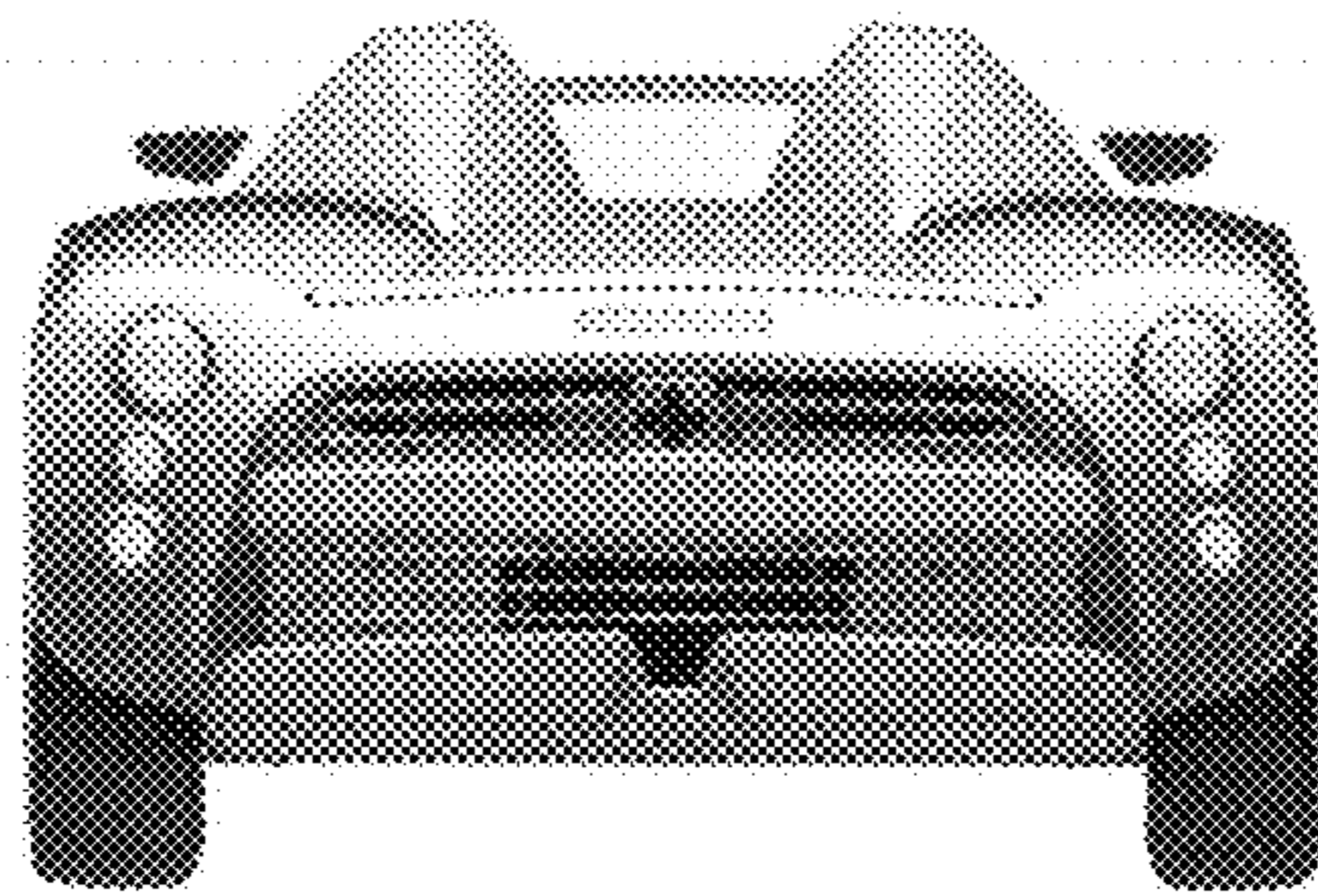


Fig. 7

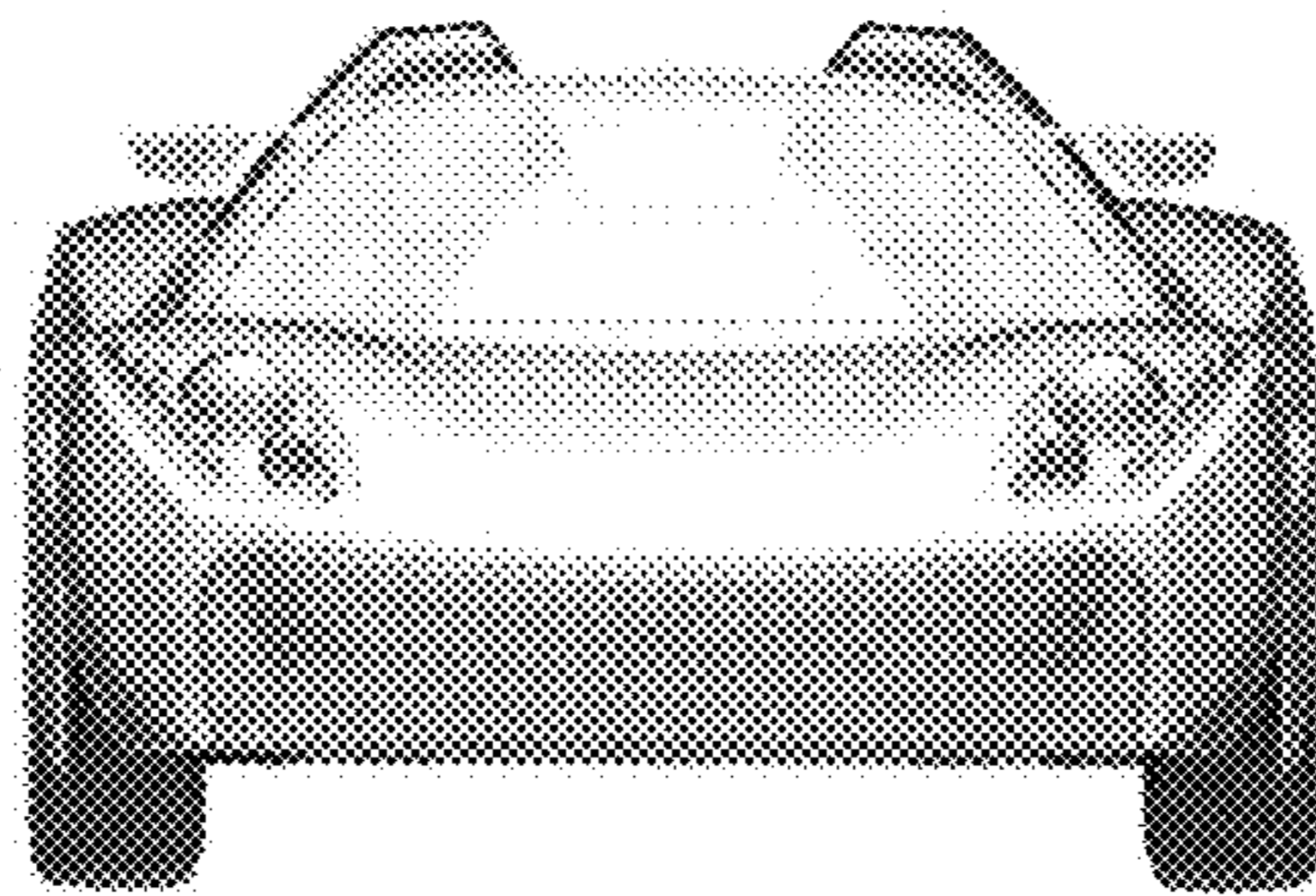


Fig. 8