



US00D687739S

(12) **United States Design Patent**  
**Roura et al.**

(10) **Patent No.:** **US D687,739 S**  
(45) **Date of Patent:** **\*\* Aug. 13, 2013**

(54) **VEHICLE**

(75) Inventors: **Cesar Muntada Roura**, Paffenhofen an der Ilm (DE); **Achim Badstuebner**, Munich (DE)

(73) Assignee: **Audi AG**, Ingolstadt (DE)

(\*\*) Term: **14 Years**

(21) Appl. No.: **29/423,292**

(22) Filed: **May 30, 2012**

(30) **Foreign Application Priority Data**

Dec. 1, 2011 (EM) ..... 001 955 956-0001

(51) **LOC (9) Cl.** ..... **12-08**

(52) **U.S. Cl.**  
USPC ..... **D12/91**

(58) **Field of Classification Search**  
USPC ..... D12/86, 91, 92, 90; 296/185.1  
See application file for complete search history.

(56) **References Cited**

**U.S. PATENT DOCUMENTS**

|              |         |              |       |        |
|--------------|---------|--------------|-------|--------|
| D458,561 S * | 6/2002  | van Hooydonk | ..... | D12/92 |
| D476,923 S * | 7/2003  | Boyer        | ..... | D12/92 |
| D500,709 S * | 1/2005  | van Hooydonk | ..... | D12/92 |
| D605,085 S * | 12/2009 | Weil         | ..... | D12/92 |
| D630,553 S * | 1/2011  | Muller       | ..... | D12/91 |

**FOREIGN PATENT DOCUMENTS**

|    |                |         |
|----|----------------|---------|
| EM | 000869169-0001 | 3/2006  |
| EM | 000745740-0001 | 12/2008 |
| EM | 001598582-0001 | 11/2009 |
| RU | 61973          | 3/2007  |
| RU | 71676          | 8/2009  |
| RU | 73331          | 12/2009 |
| RU | 79896          | 10/2011 |

\* cited by examiner

*Primary Examiner* — Susan M Lee

*Assistant Examiner* — Linda Brooks

(74) *Attorney, Agent, or Firm* — Lucas & Mercanti, LLP; Klaus P. Stoffel

(57) **CLAIM**

The original design for a vehicle, as shown and described.

**DESCRIPTION**

FIG. 1 is a front, right side perspective view of the vehicle of the present invention;

FIG. 2 is a right side view thereof;

FIG. 3 is a left side view thereof;

FIG. 4 is a top view thereof;

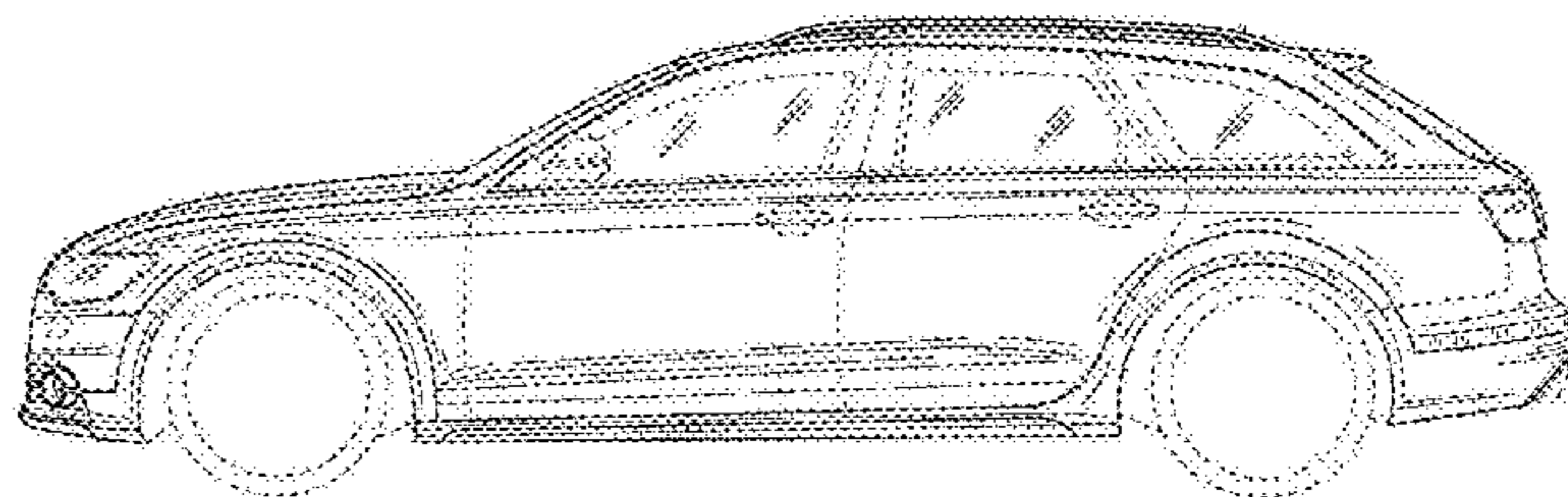
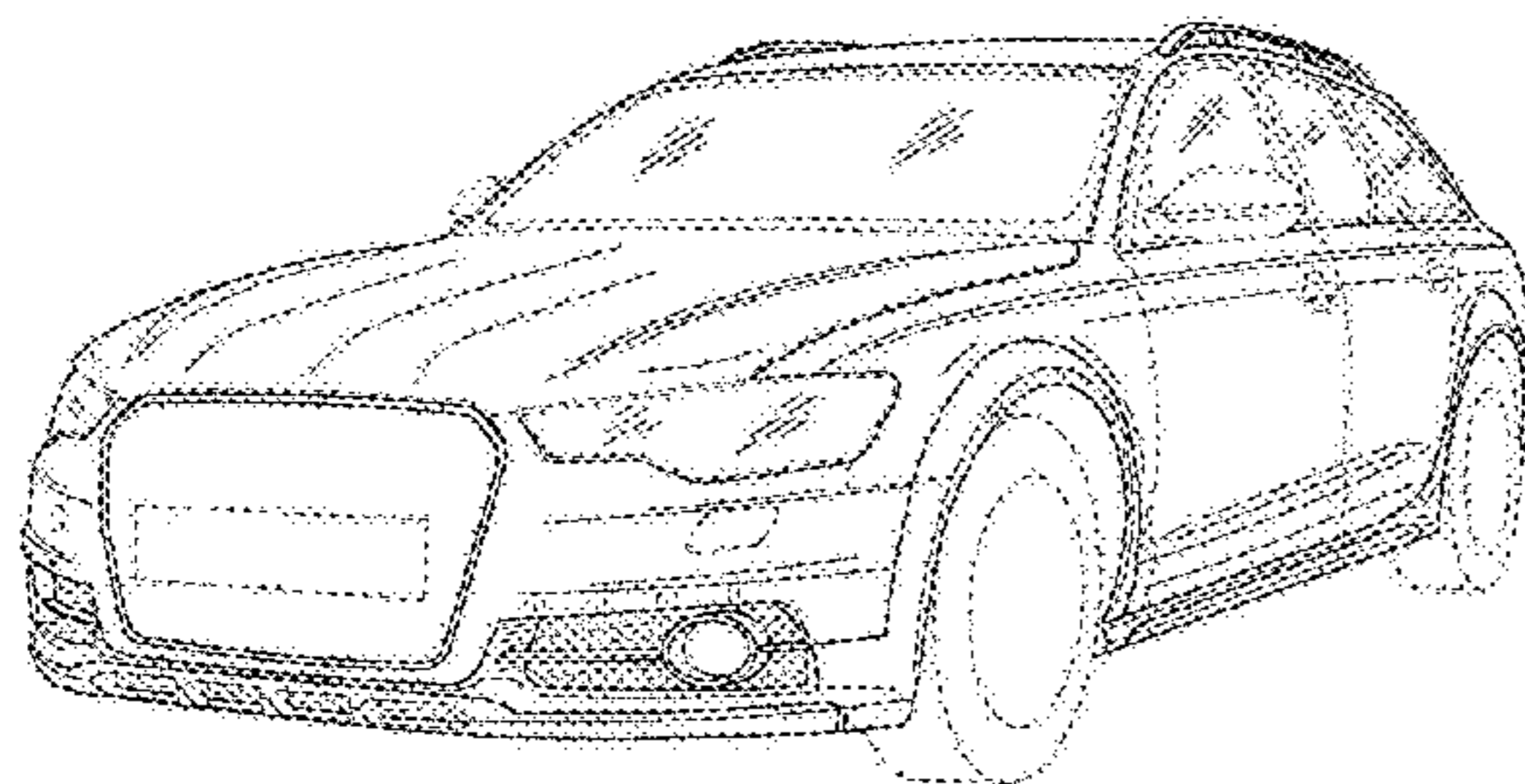
FIG. 5 is a rear view thereof;

FIG. 6 is a front view thereof; and,

FIG. 7 is a rear, right side perspective view thereof.

The dashed lines indicate features that are not part of the claimed design.

**1 Claim, 7 Drawing Sheets**



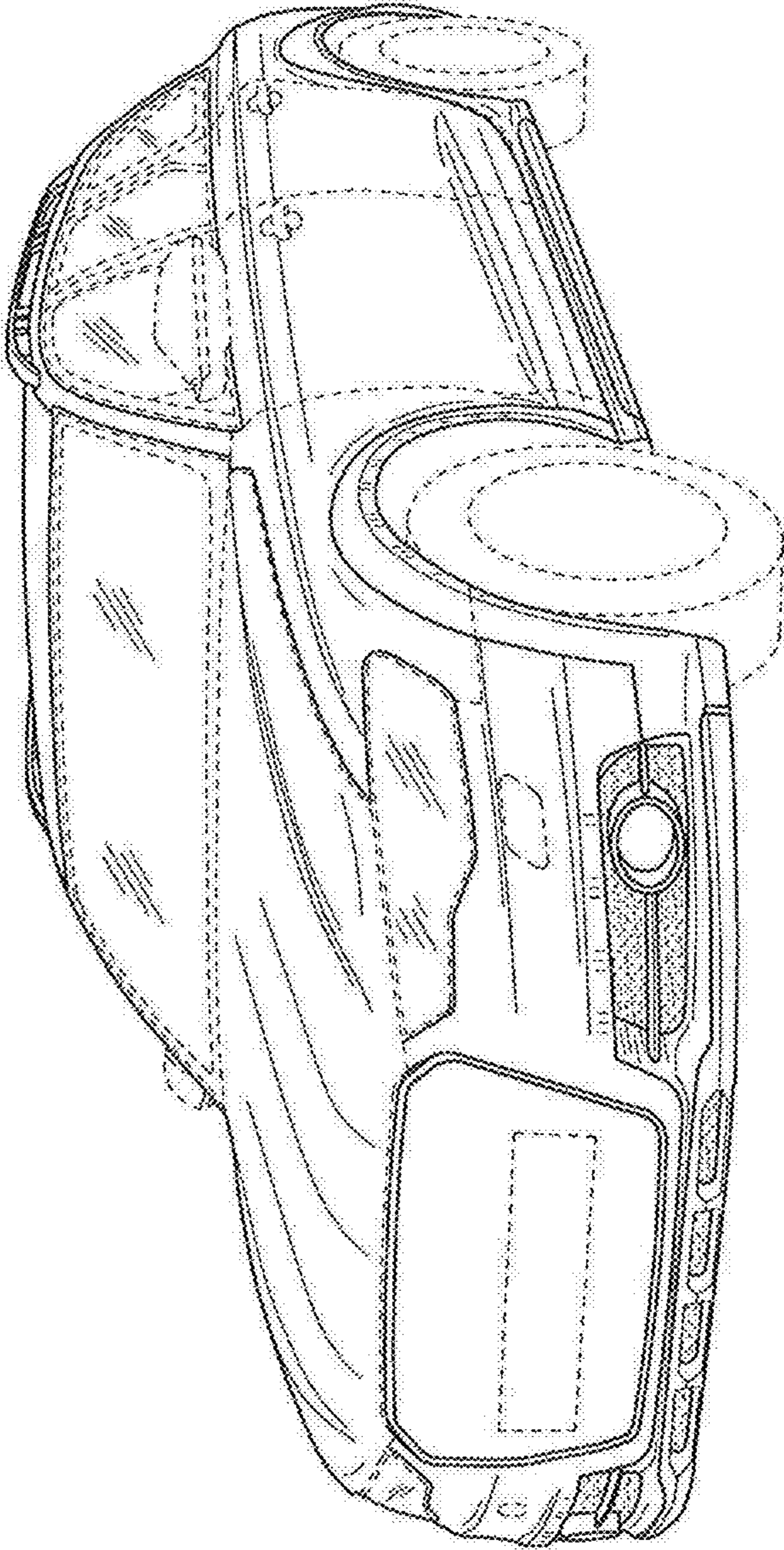


Fig. 1

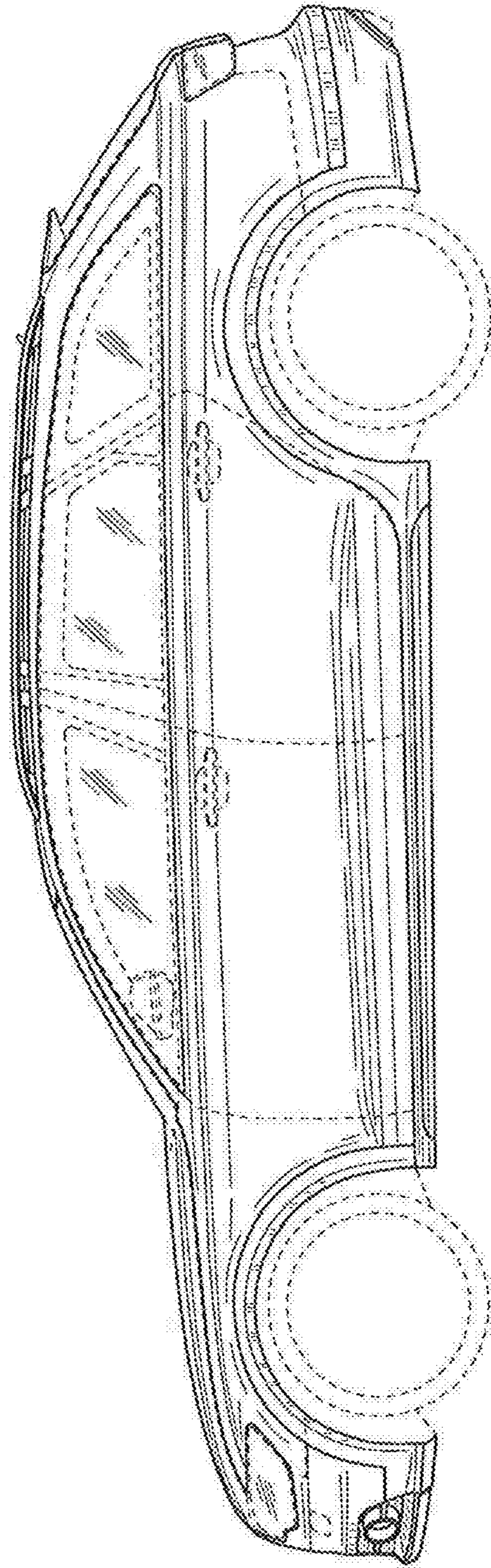


Fig. 2

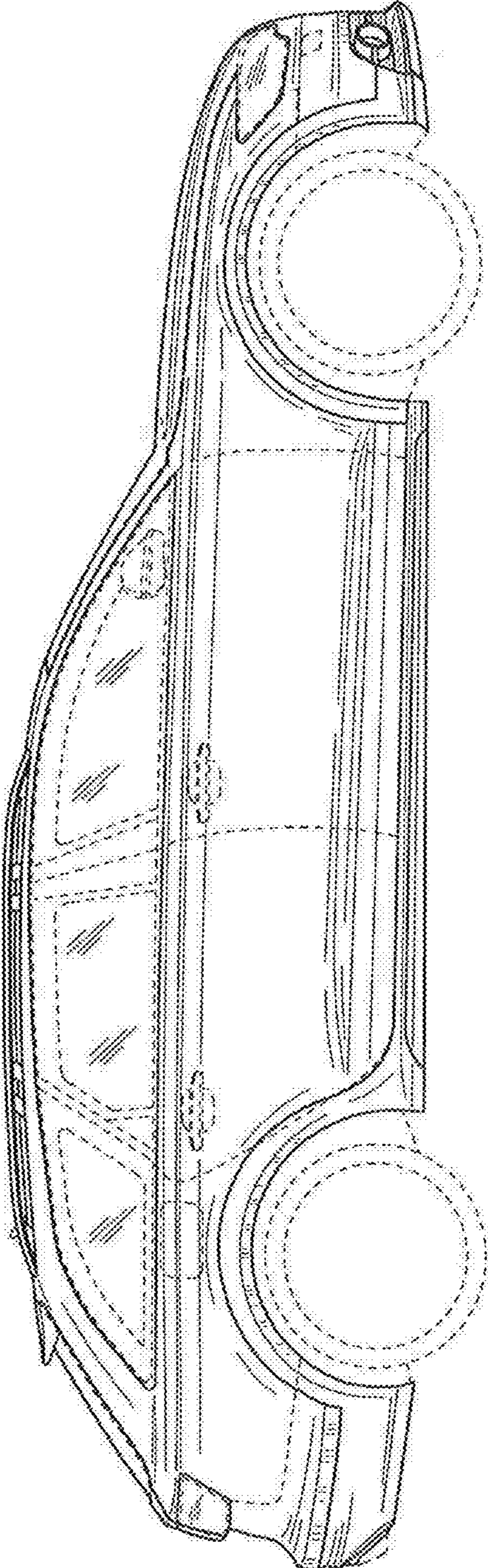


Fig. 3

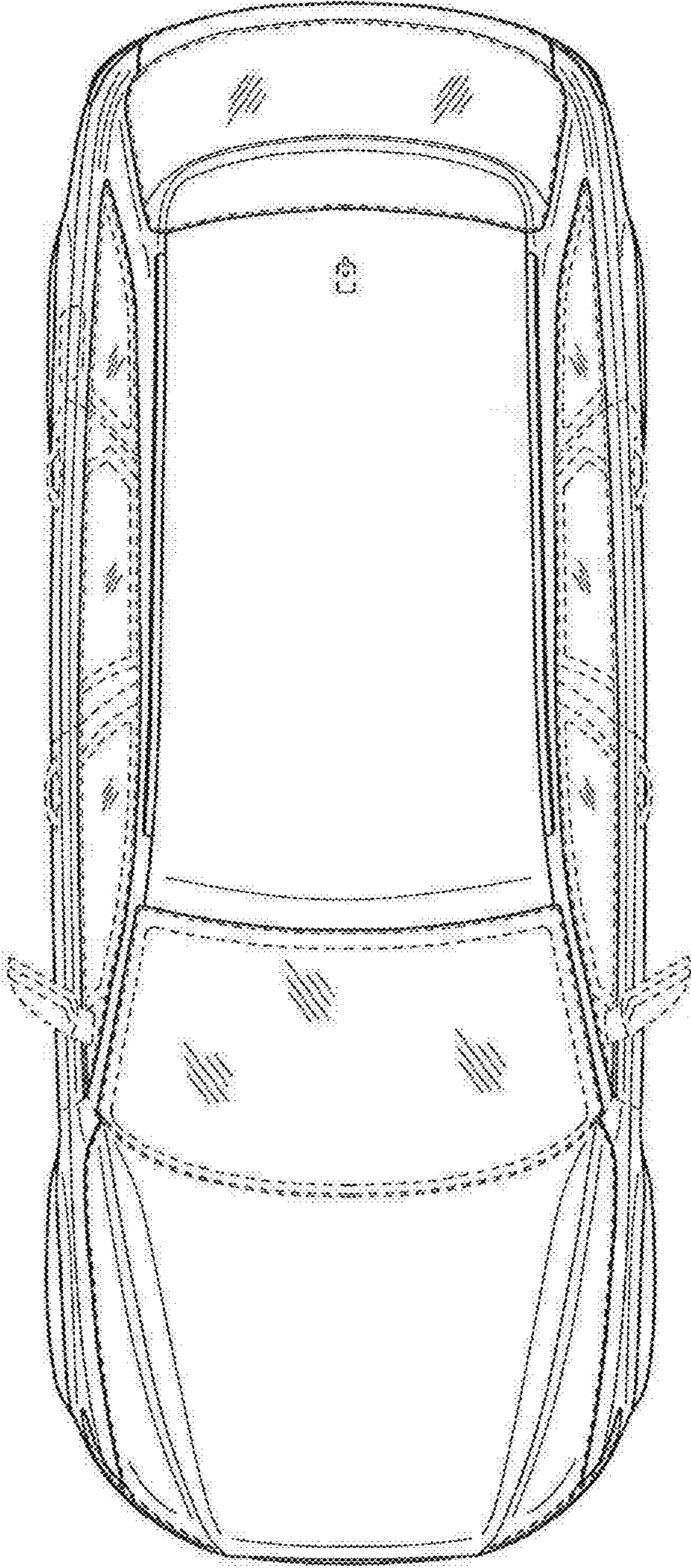


Fig. 4

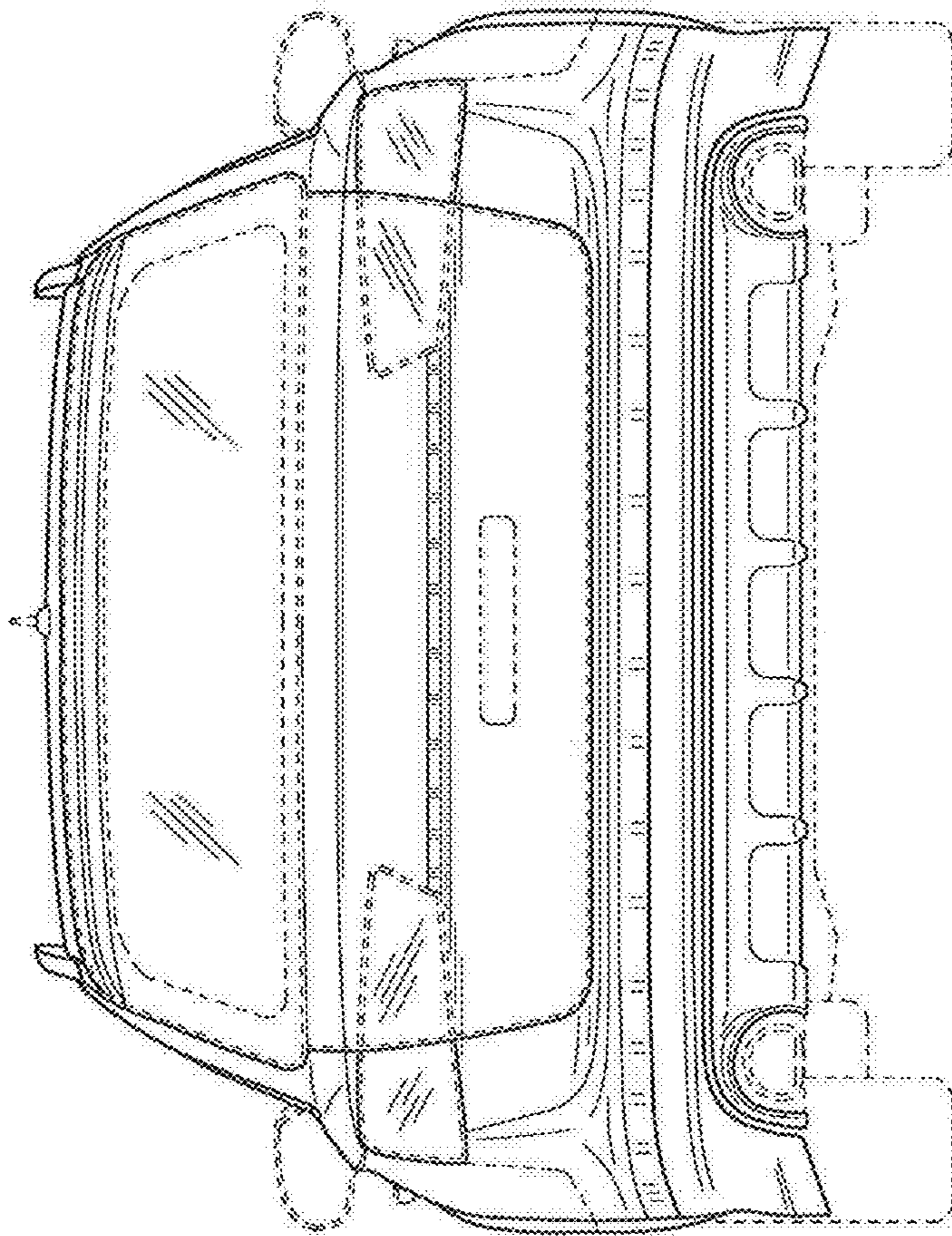


Fig. 5

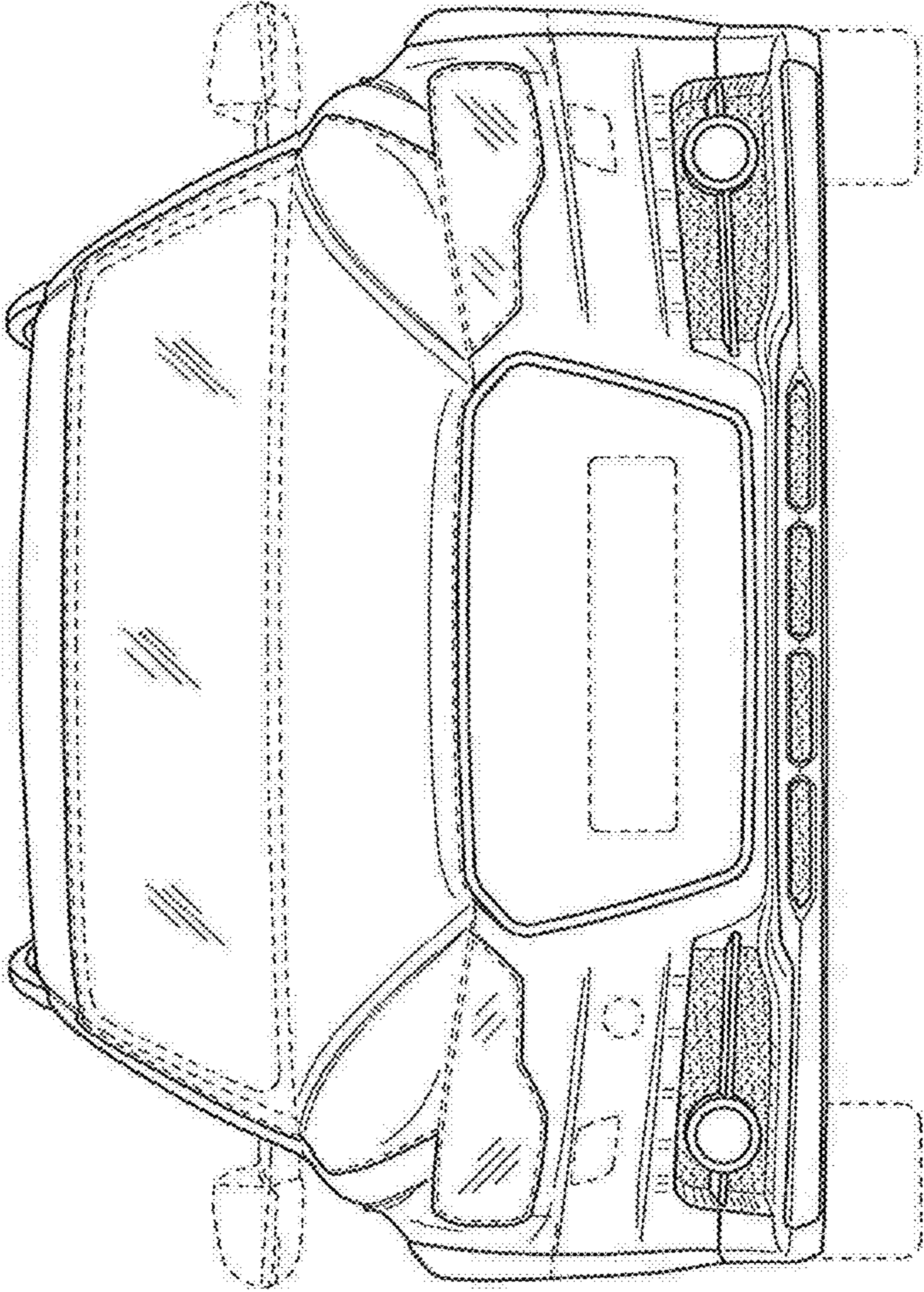


Fig. 6

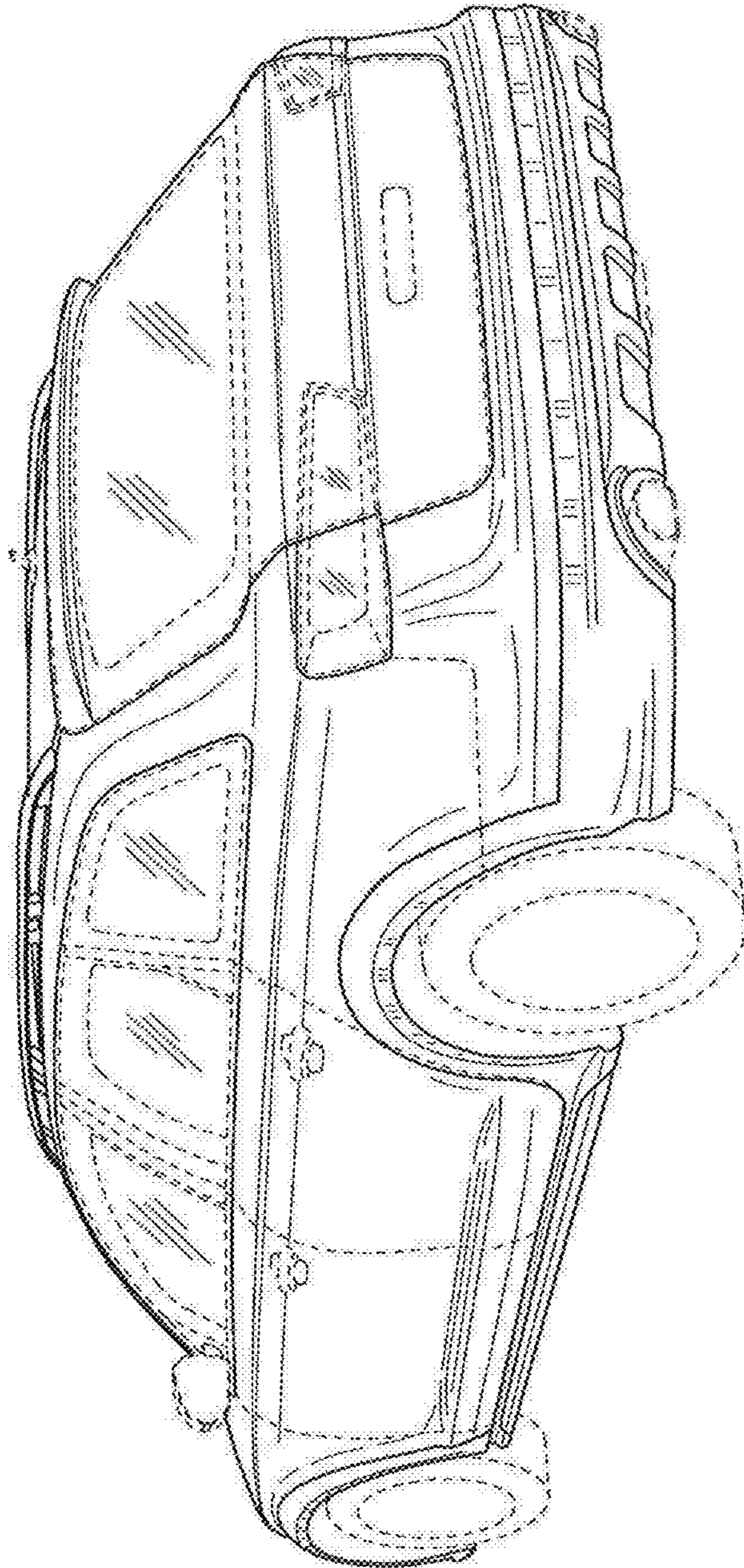


Fig. 7