



US00D687733S

(12) **United States Design Patent**  
**Velado et al.**

(10) **Patent No.:** **US D687,733 S**

(45) **Date of Patent:** **\*\* Aug. 13, 2013**

(54) **ULTRASONIC LIQUID LEVEL SENSOR AND SWITCH**

(71) Applicants: **Nicholas F. Velado**, Pflugerville, TX (US); **Fernando A. Velado**, Westerville, OH (US)

(72) Inventors: **Nicholas F. Velado**, Pflugerville, TX (US); **Fernando A. Velado**, Westerville, OH (US)

(\*\*) Term: **14 Years**

(21) Appl. No.: **29/446,835**

(22) Filed: **Feb. 27, 2013**

(51) **LOC (9) Cl.** ..... **10-04**

(52) **U.S. Cl.**  
USPC ..... **D10/101**

(58) **Field of Classification Search**  
USPC ..... D10/46, 101; 73/1.73, 1.82, 11.83, 73/149, 290 R–290 V, 861.18, DIG. 5  
See application file for complete search history.

(56) **References Cited**

U.S. PATENT DOCUMENTS

D214,703 S	7/1969	Kiven	
D247,480 S	3/1978	Gilson	
D254,729 S	4/1980	Mitumori	
D261,998 S	11/1981	Munz	
4,356,729 A	11/1982	Kubota et al.	
D294,808 S	3/1988	Zeigner	
D317,579 S	6/1991	Shalvi	
5,121,631 A *	6/1992	Koon	73/290 R
D335,828 S *	5/1993	Edwards	D10/101
5,210,769 A *	5/1993	Seidel et al.	73/295
D337,542 S	7/1993	Ewing et al.	

D358,779 S *	5/1995	Fabunan	D10/56
D359,249 S	6/1995	Baarman	
D363,444 S *	10/1995	Davis	D10/101
D416,032 S	11/1999	Bakshi	
D432,933 S	10/2000	Einck	
6,658,934 B1 *	12/2003	Housey et al.	73/317
D497,115 S	10/2004	Frank	
6,904,800 B2 *	6/2005	Merwin	73/304 R
D518,002 S	3/2006	Johanneck et al.	
D556,803 S	12/2007	Ishida	
7,392,705 B2	7/2008	Kawashima et al.	
D577,758 S	9/2008	Ferris et al.	
D578,971 S	10/2008	Yun et al.	
D620,513 S	7/2010	Richards	
D647,411 S	10/2011	Barton et al.	

\* cited by examiner

*Primary Examiner* — Antoine D Davis

(74) *Attorney, Agent, or Firm* — Maier & Maier PLLC

(57) **CLAIM**

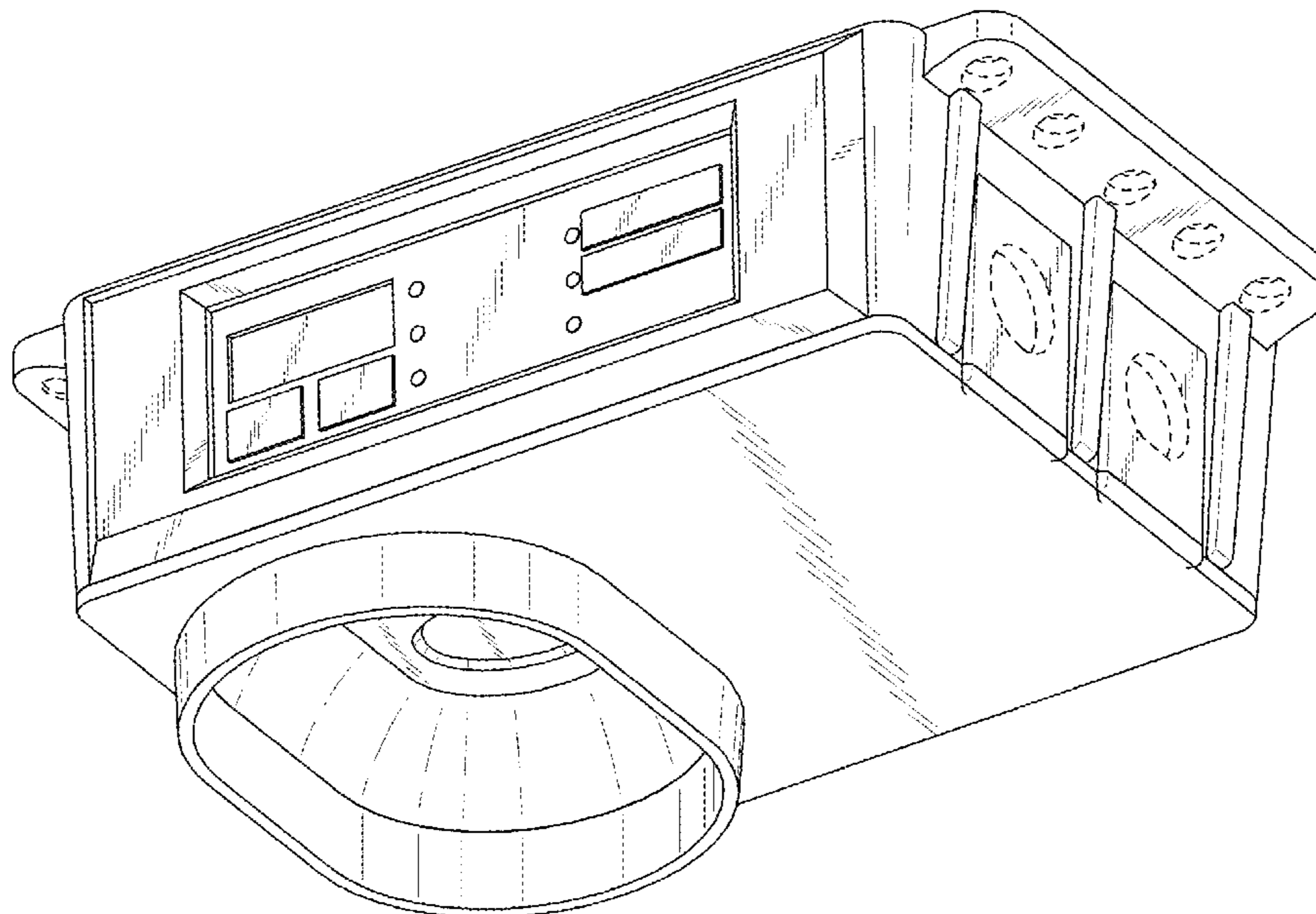
The ornamental design for an ultrasonic liquid level sensor and switch, as shown and described.

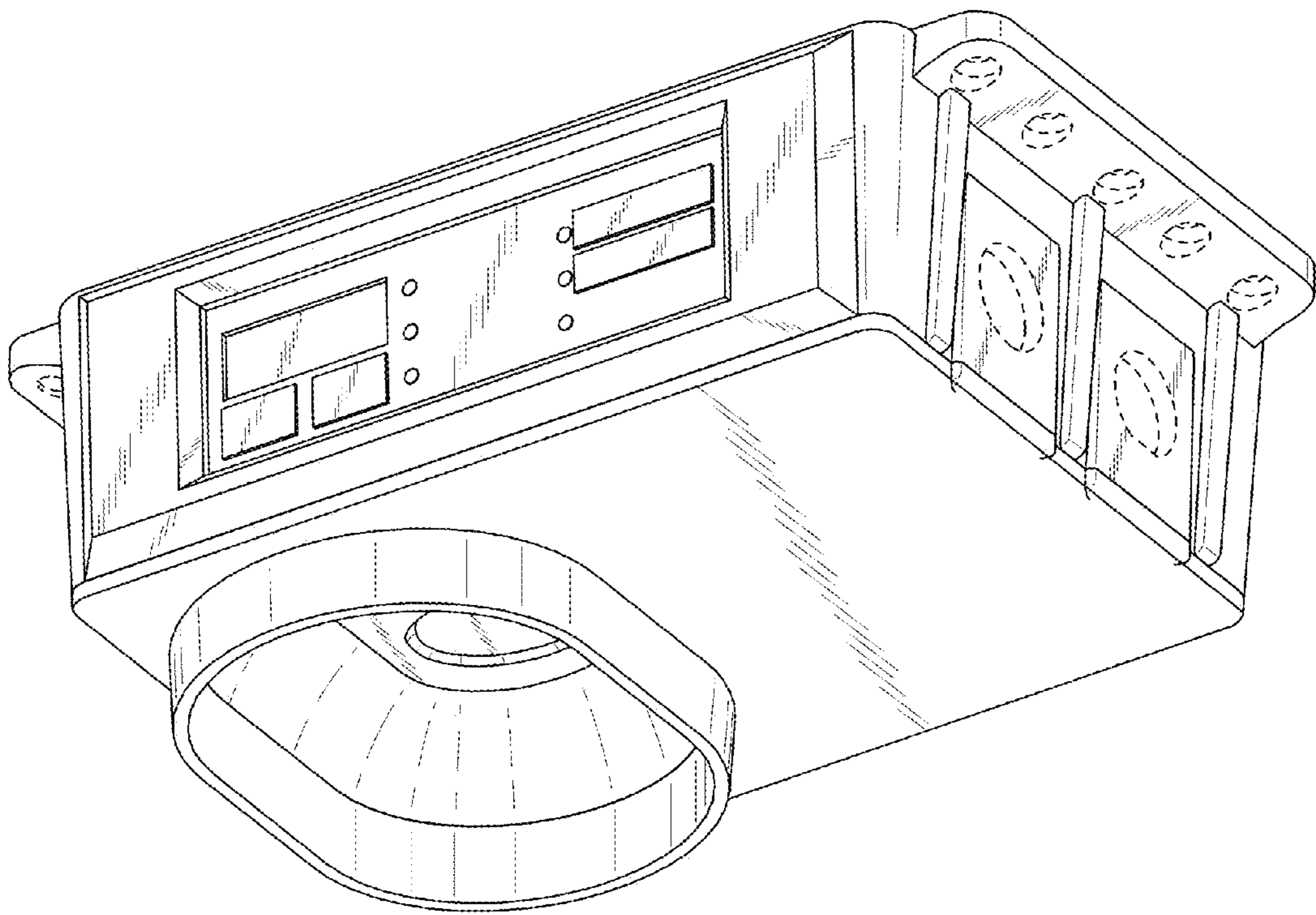
**DESCRIPTION**

FIG. 1 is a front bottom isometric view of an ultrasonic liquid level sensor and switch, showing our design; FIG. 2 is a front view thereof; FIG. 3 is a rear view thereof; FIG. 4 is a right side view thereof; FIG. 5 is a left side thereof; FIG. 6 is a bottom view thereof; and, FIG. 7 is a top view thereof.

The broken line showing in the drawings shows portions of the ultrasonic liquid level sensor and switch and forms no part of the claimed design.

**1 Claim, 5 Drawing Sheets**





*Fig. 1*

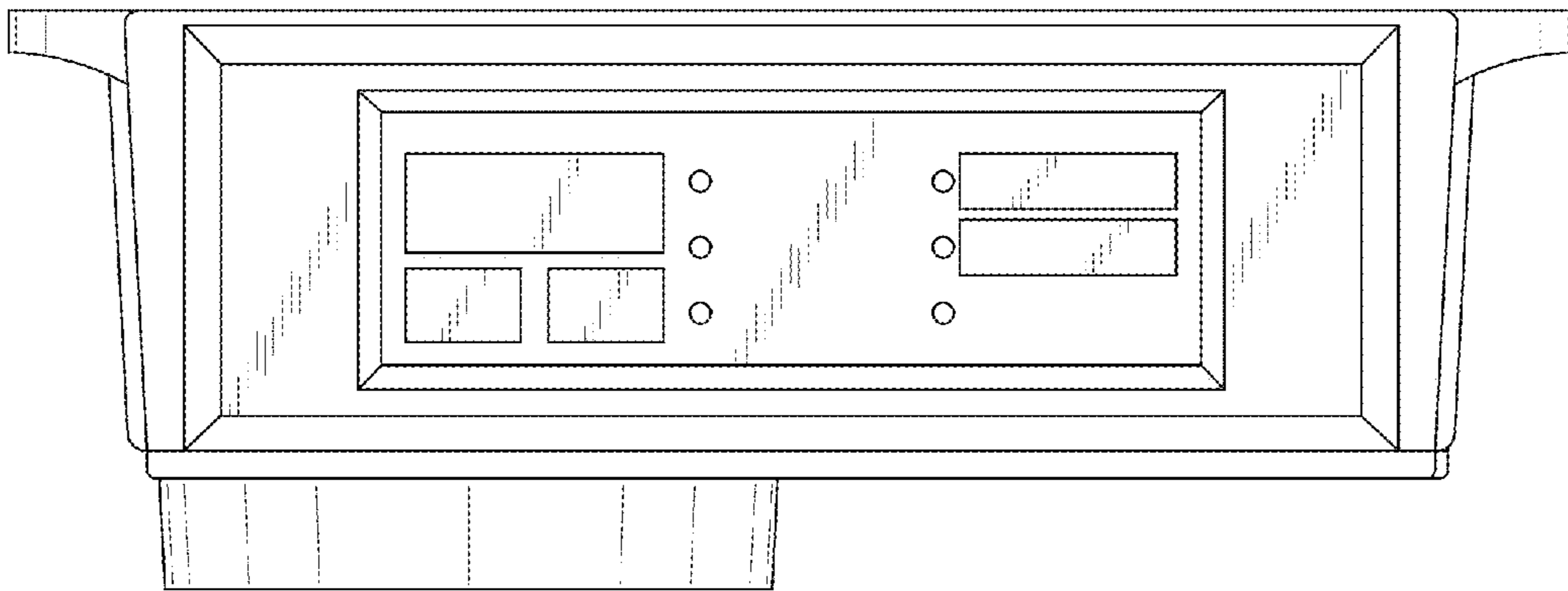


Fig. 2

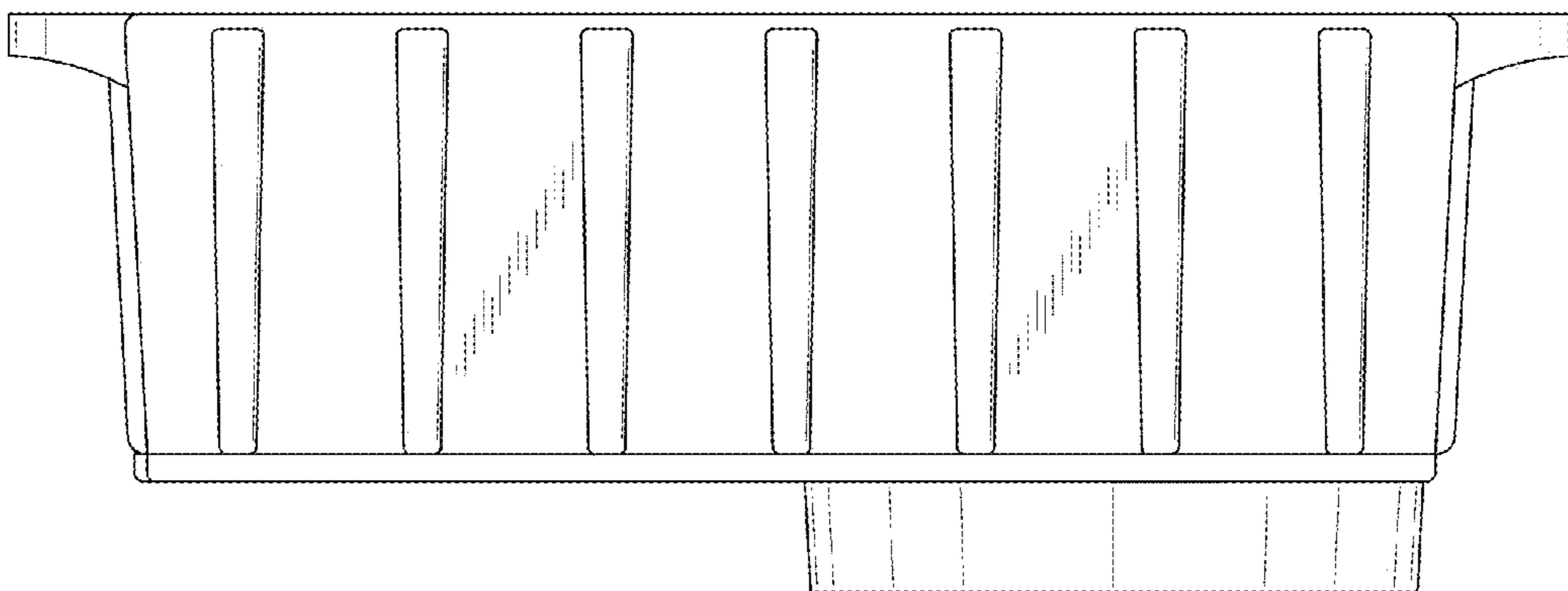
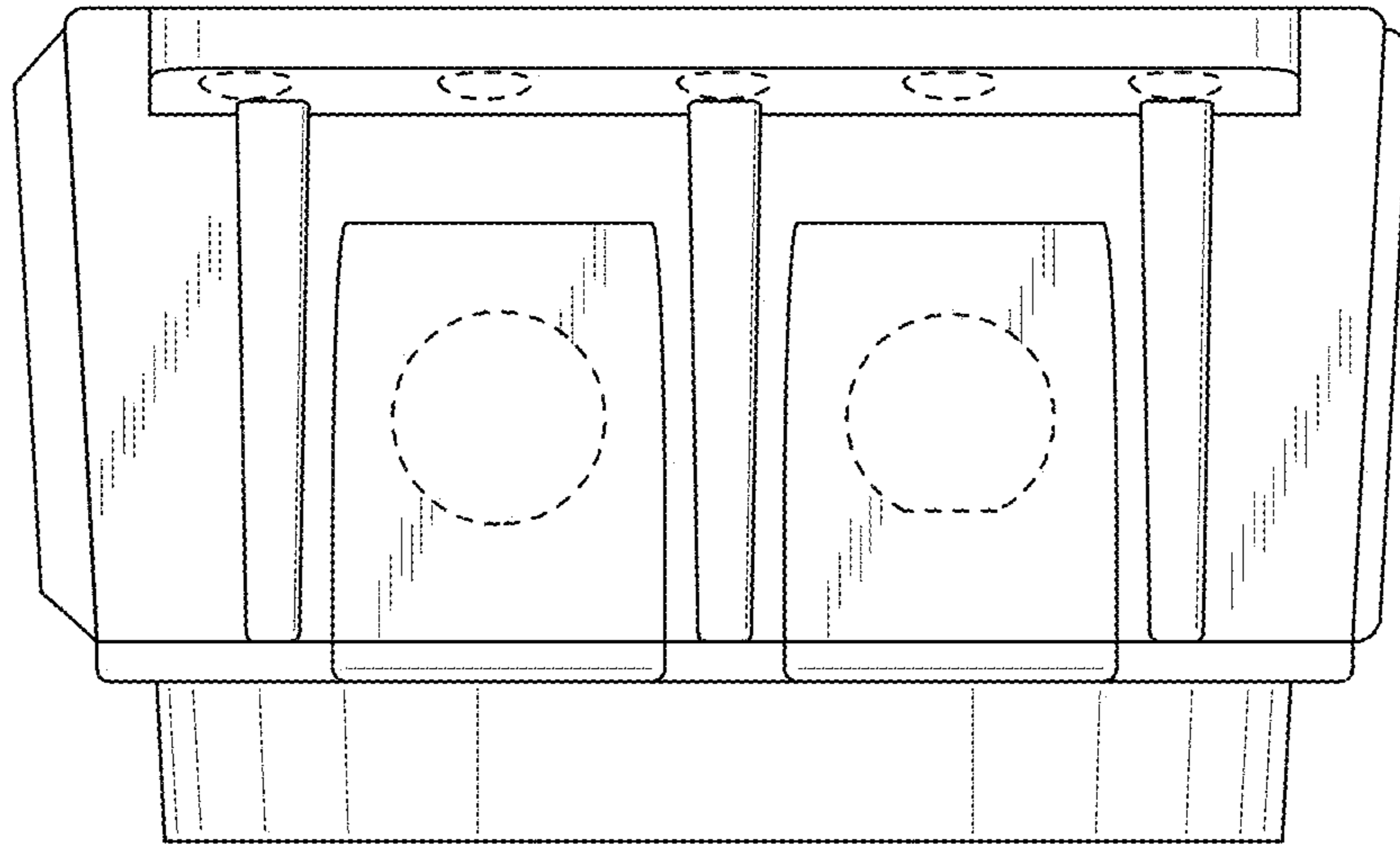
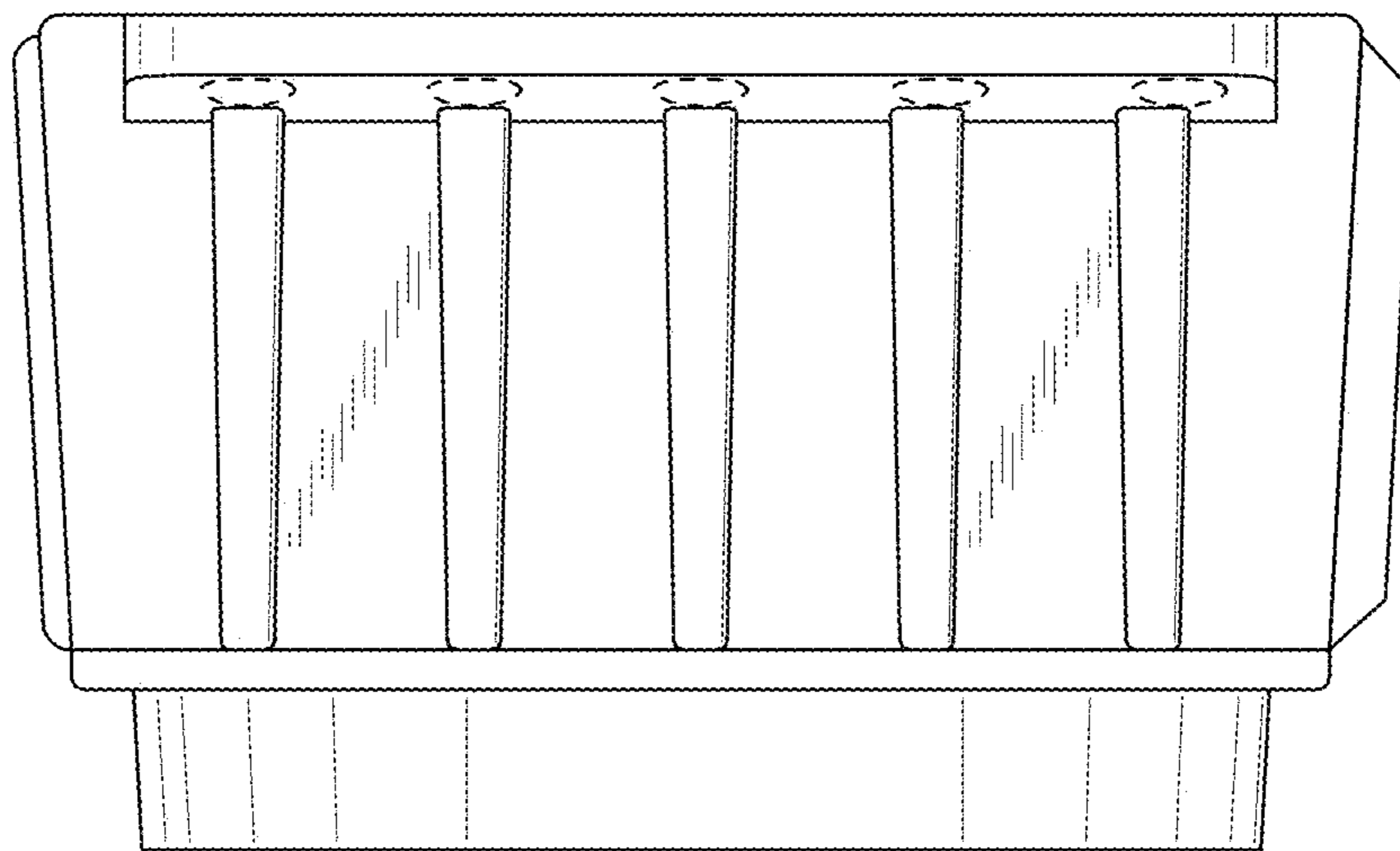


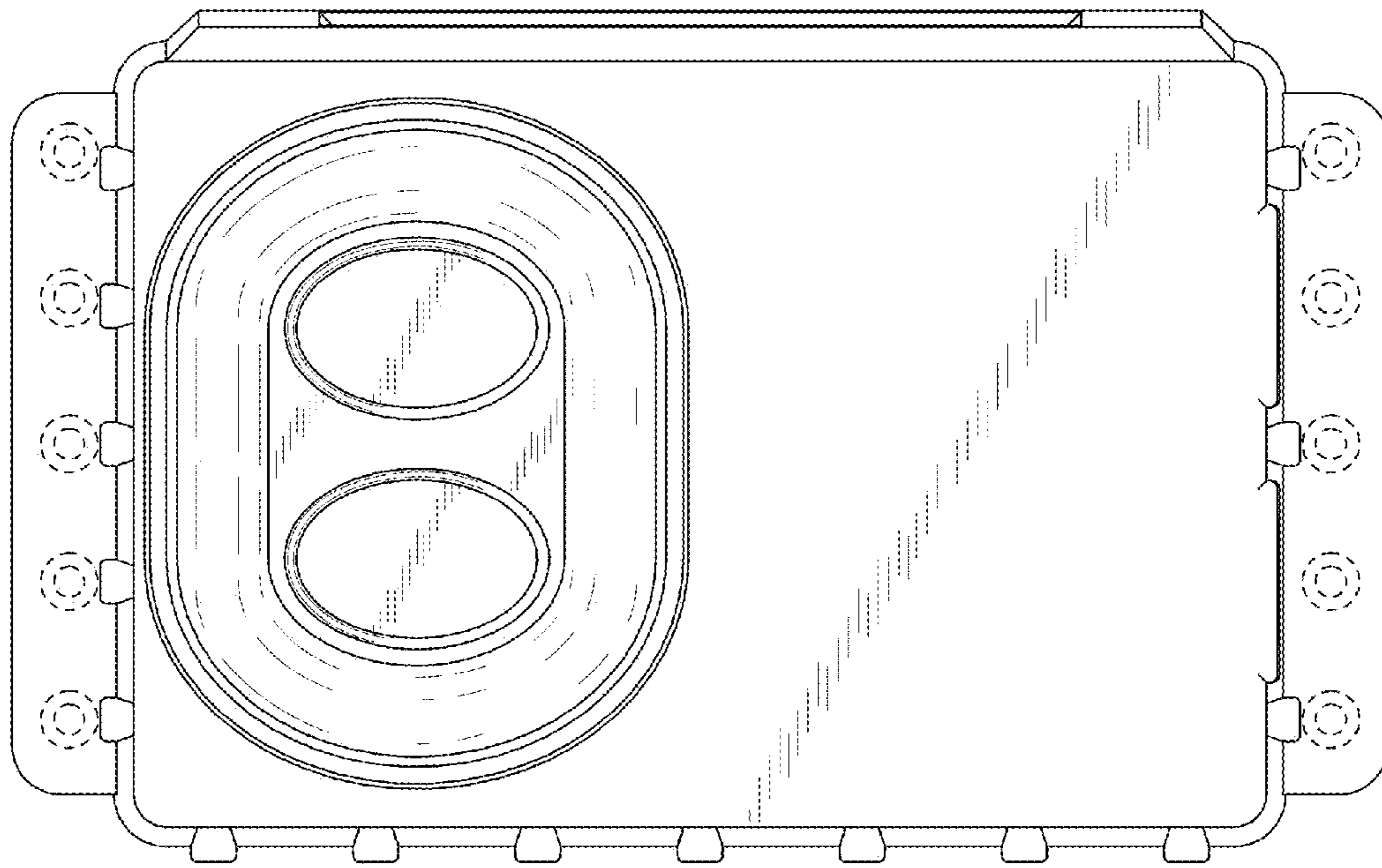
Fig. 3



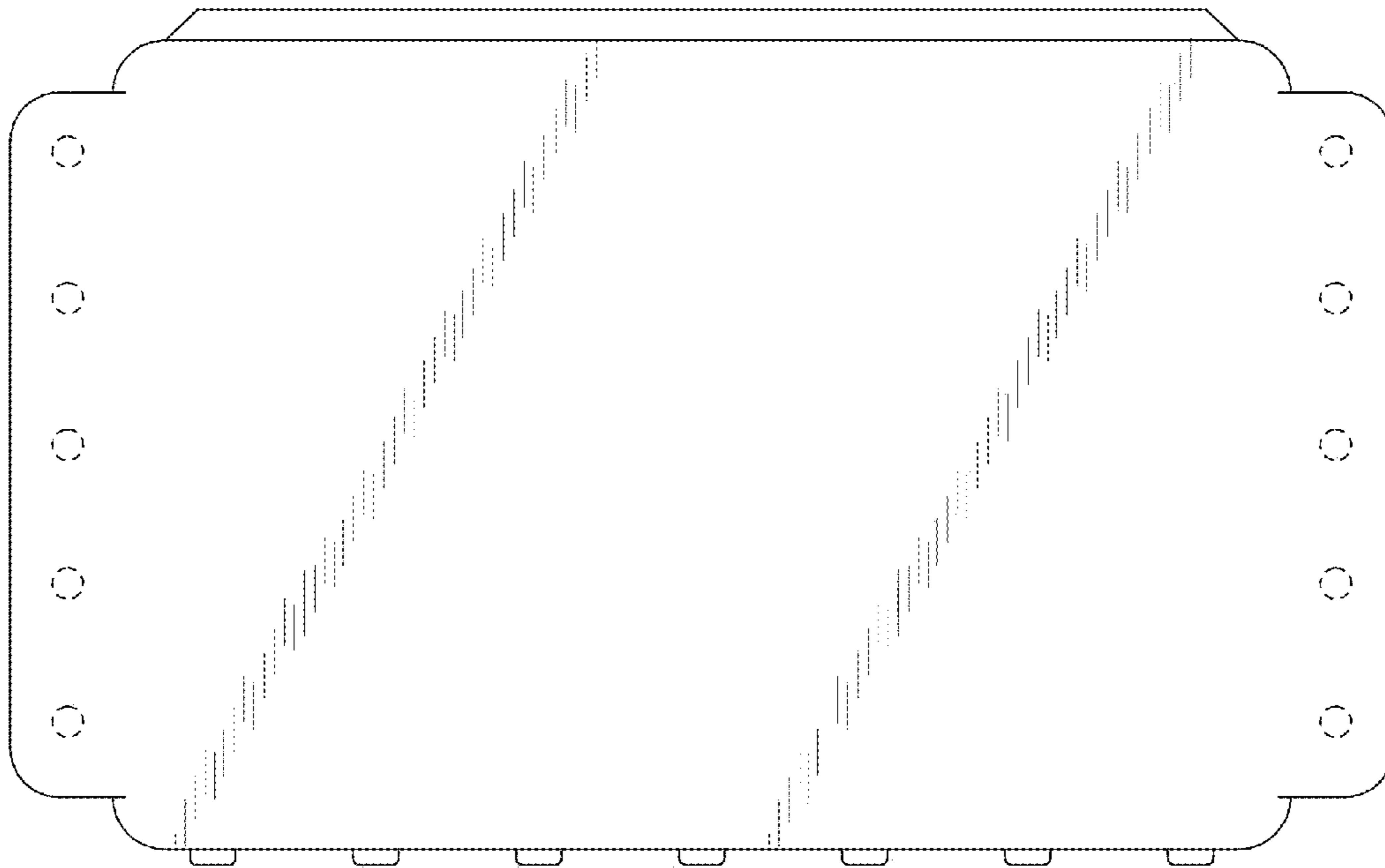
*Fig. 4*



*Fig. 5*



*Fig. 6*



*Fig. 7*