



US00D687730S

(12) **United States Design Patent**
Fukano et al.

(10) **Patent No.:** **US D687,730 S**

(45) **Date of Patent:** **** Aug. 13, 2013**

(54) **FLOWMETER**

(75) Inventors: **Yoshihiro Fukano**, Moriya (JP);
Tadashi Uchino, Moriya (JP)

(73) Assignee: **SMC Kabushiki Kaisha**, Tokyo (JP)

(**) Term: **14 Years**

(21) Appl. No.: **29/425,622**

(22) Filed: **Jun. 25, 2012**

(30) **Foreign Application Priority Data**

Dec. 26, 2011 (JP) 2011-029923

(51) **LOC (9) Cl.** **10-04**

(52) **U.S. Cl.**
USPC **D10/96**

(58) **Field of Classification Search**
USPC D10/96; 73/700-756, 861-861.41;
116/266-272

See application file for complete search history.

(56) **References Cited**

U.S. PATENT DOCUMENTS

D675,121 S * 1/2013 Azuma et al. D10/96

FOREIGN PATENT DOCUMENTS

JP D1398527 10/2010

* cited by examiner

Primary Examiner — Antoine D Davis

(74) *Attorney, Agent, or Firm* — Birch, Stewart, Kolasch & Birch, LLP

(57) **CLAIM**

The ornamental design for a flowmeter, as shown.

DESCRIPTION

FIG. 1 is a front, top and right-side perspective view of a flowmeter showing a first embodiment of our new design; FIG. 2 is a front view thereof; FIG. 3 is a rear view thereof; FIG. 4 is a top plan view thereof; FIG. 5 is a bottom plan view thereof; FIG. 6 is a left side view thereof; FIG. 7 is a right side view thereof; FIG. 8 is a front, top and right-side perspective view of a flowmeter showing a second embodiment of our new design; FIG. 9 is a front view thereof; FIG. 10 is a rear view thereof; FIG. 11 is a top plan view thereof; FIG. 12 is a bottom plan view thereof; FIG. 13 is a left side view thereof; and, FIG. 14 is a right side view thereof.

1 Claim, 14 Drawing Sheets

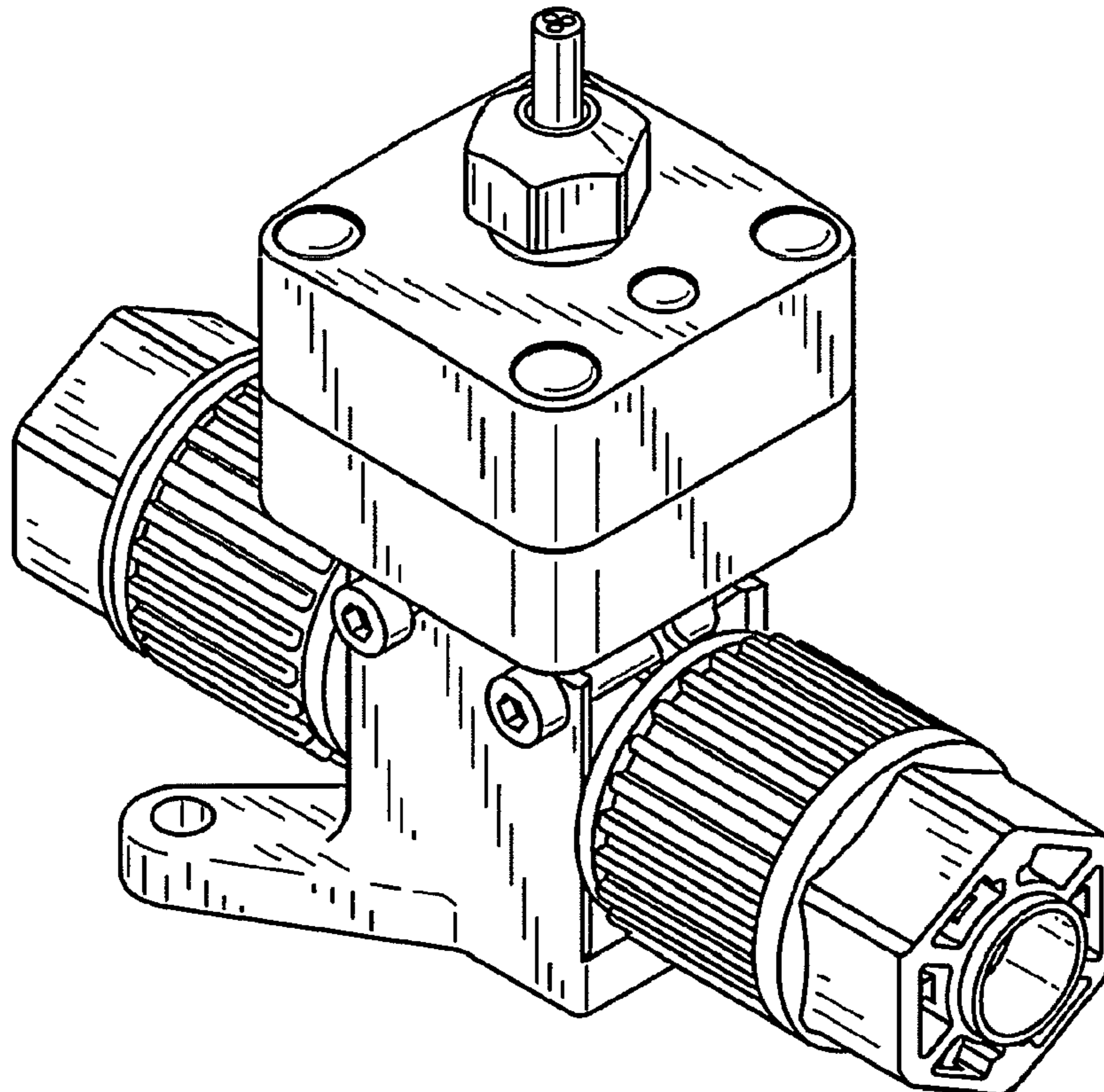


FIG. 1

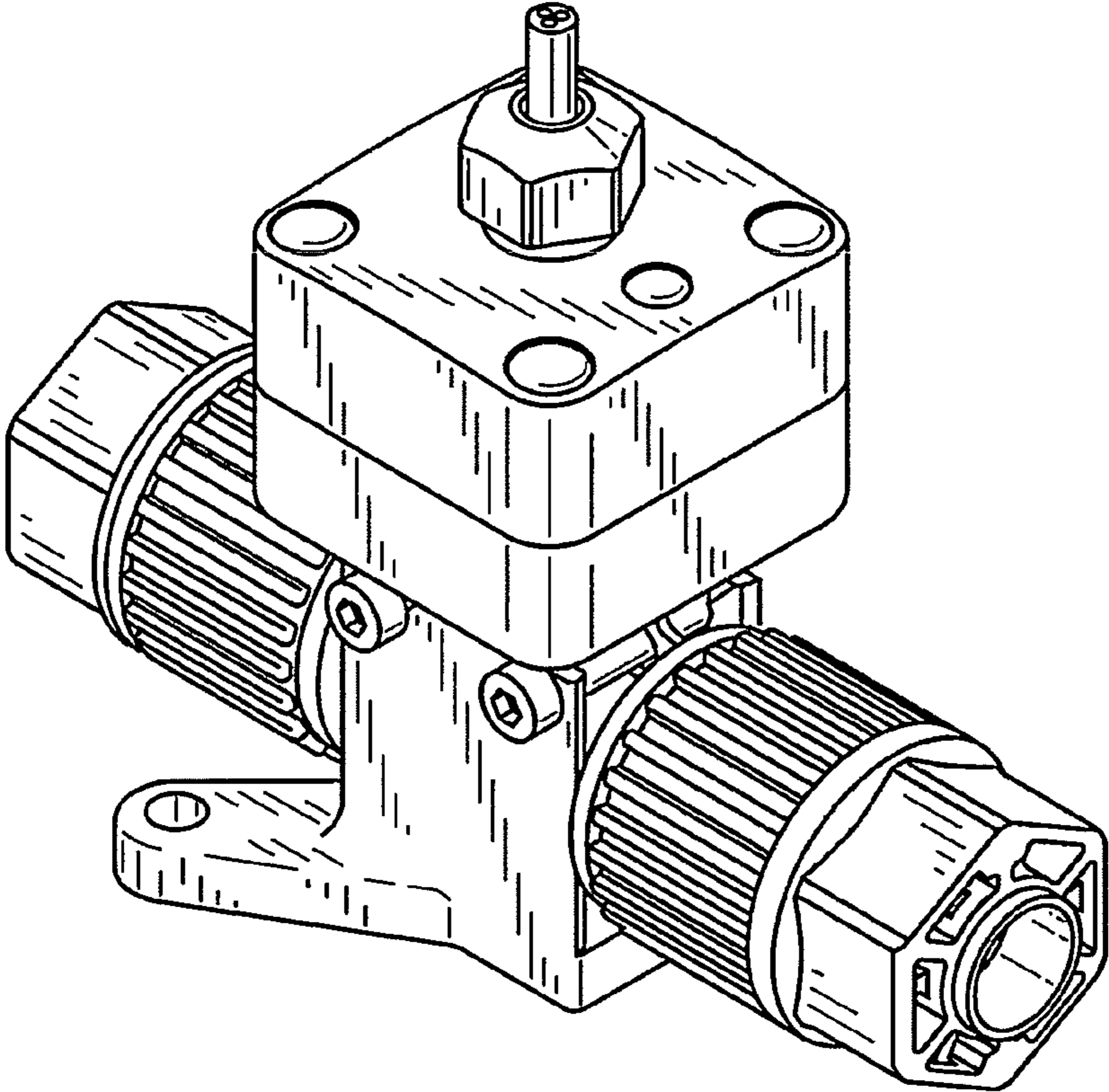


FIG. 2

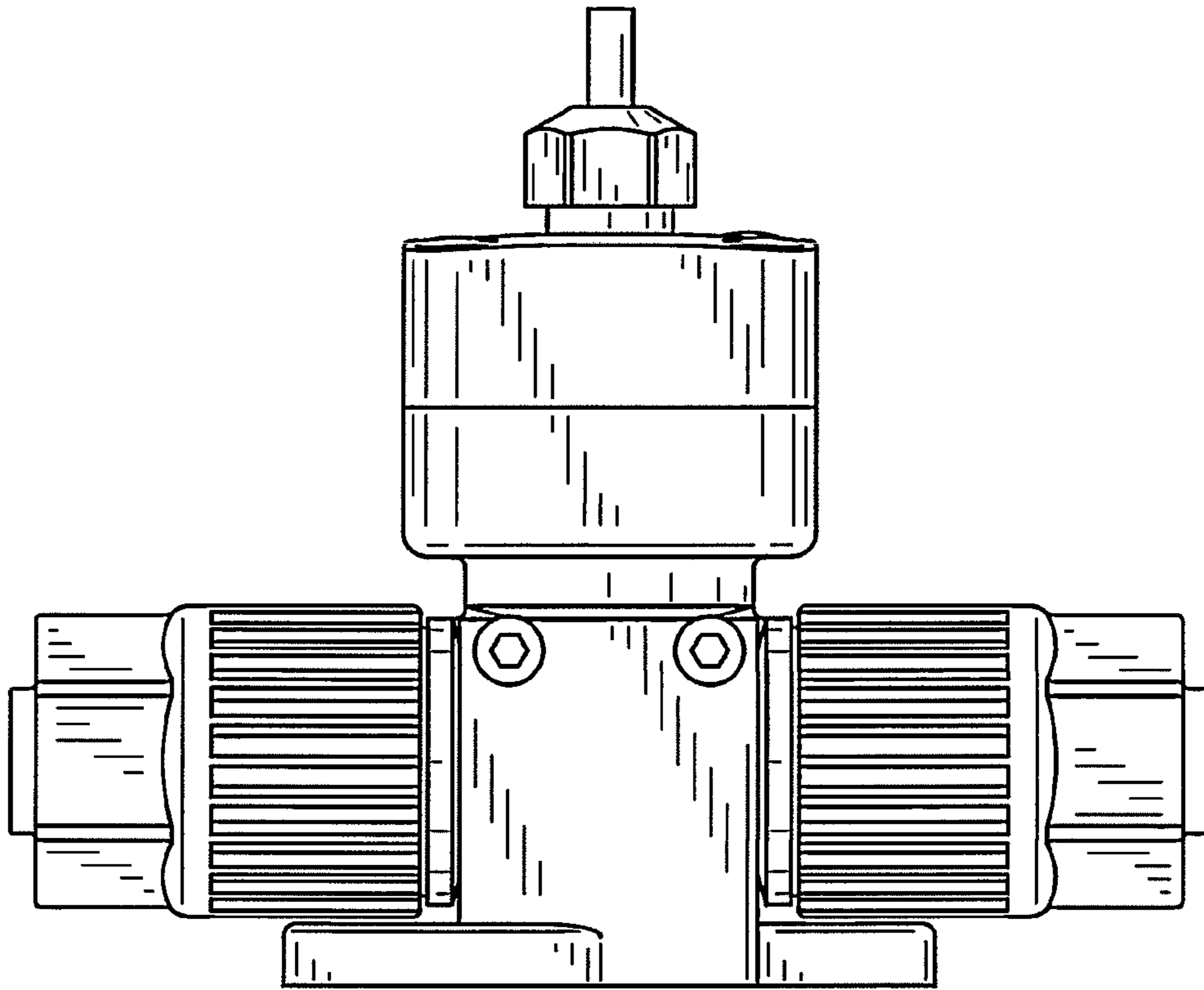


FIG. 3

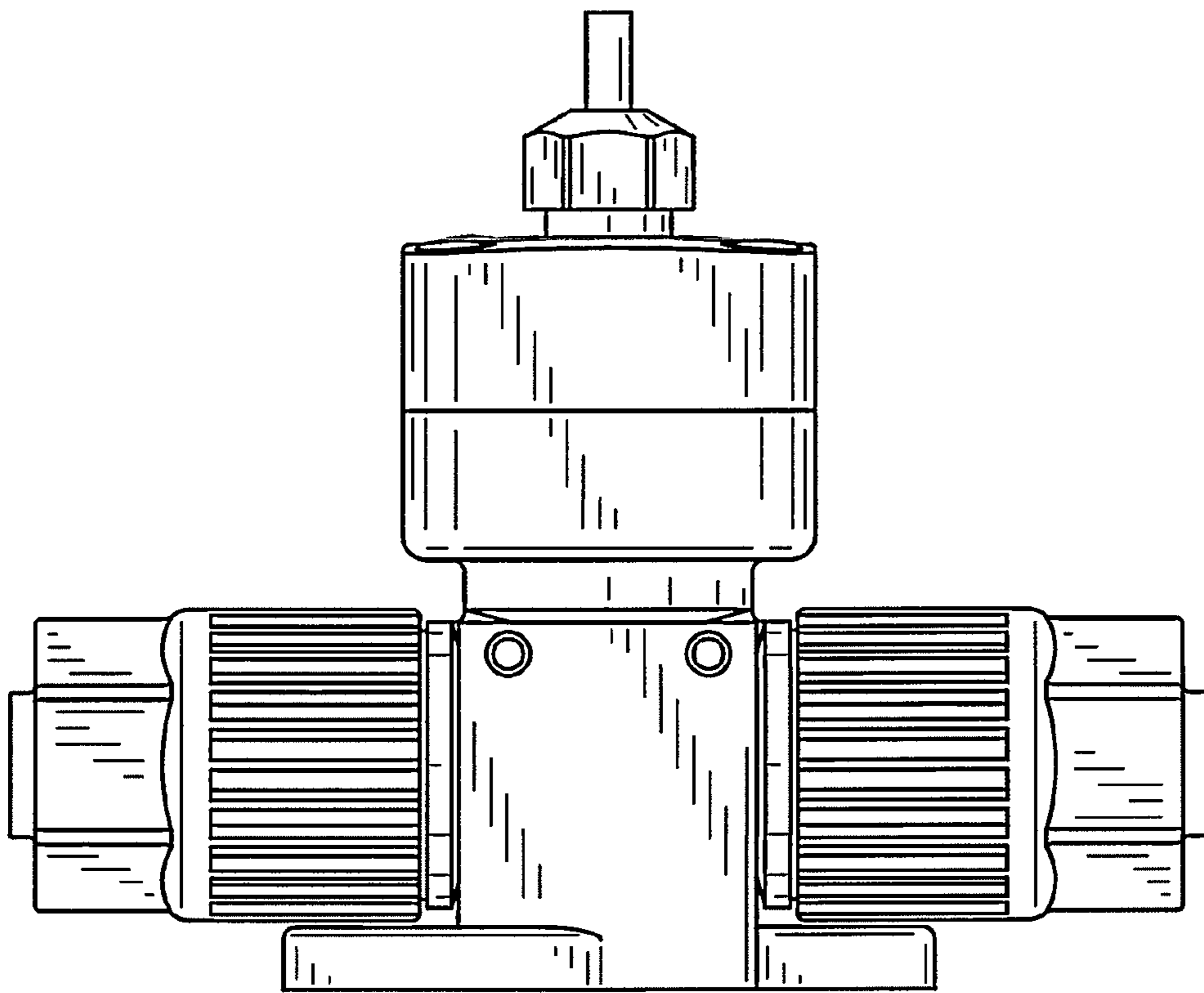


FIG. 4

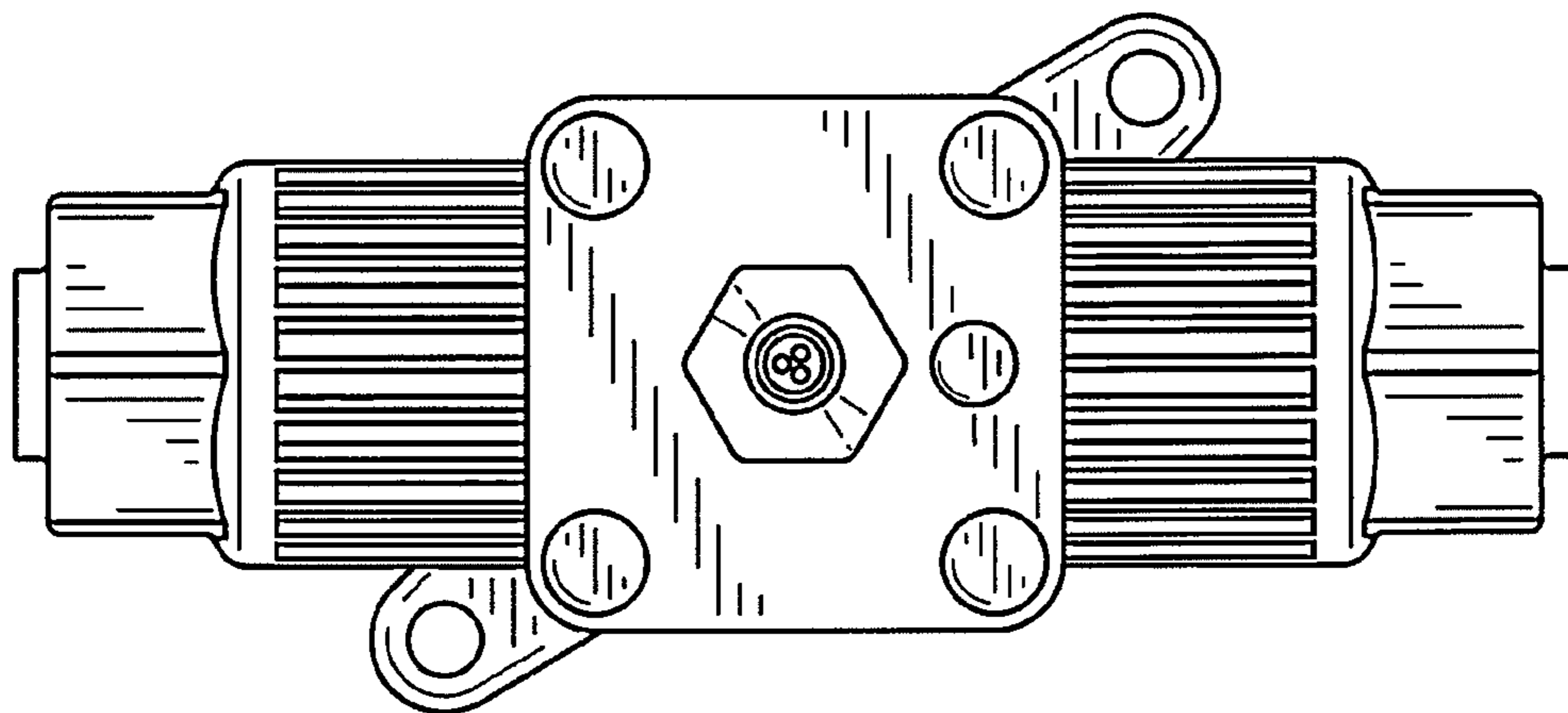


FIG. 5

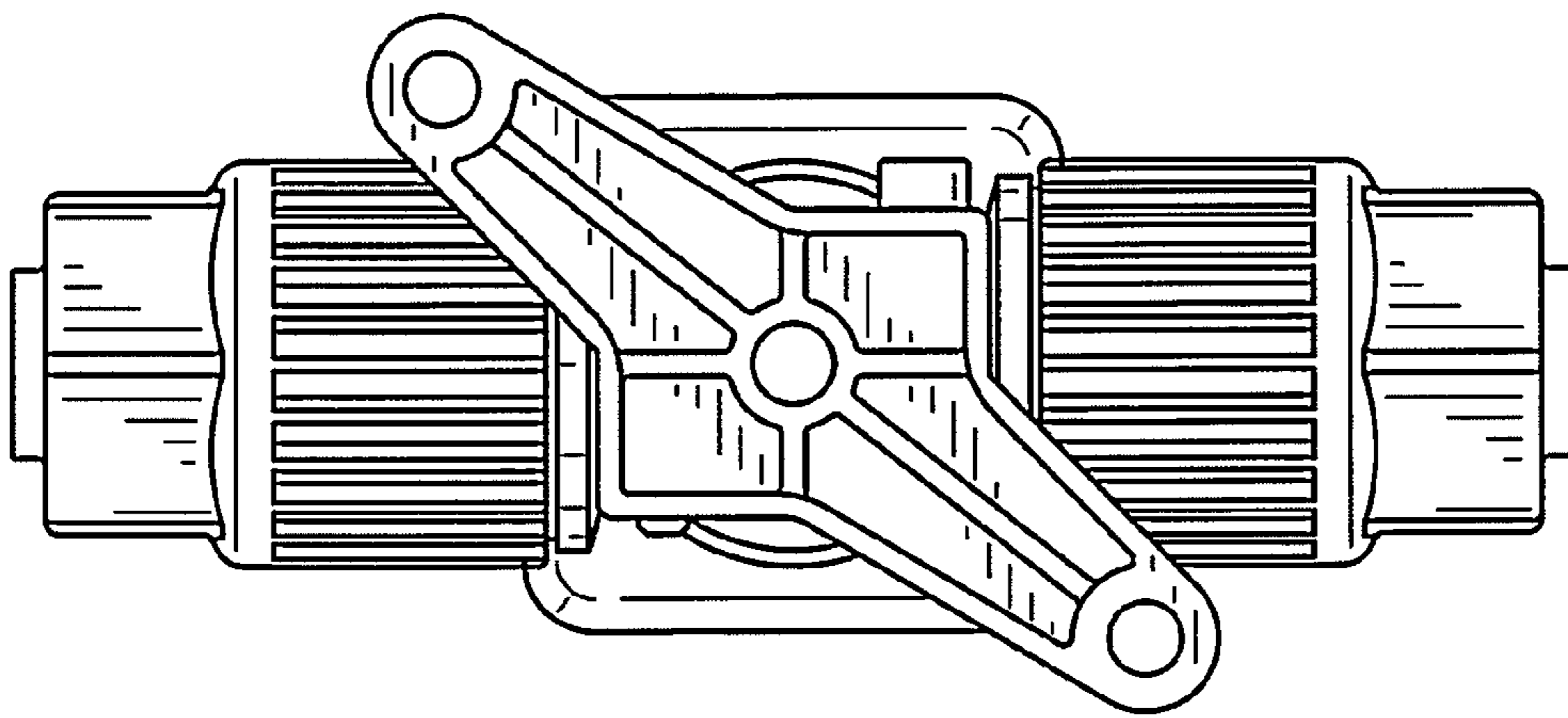


FIG. 6

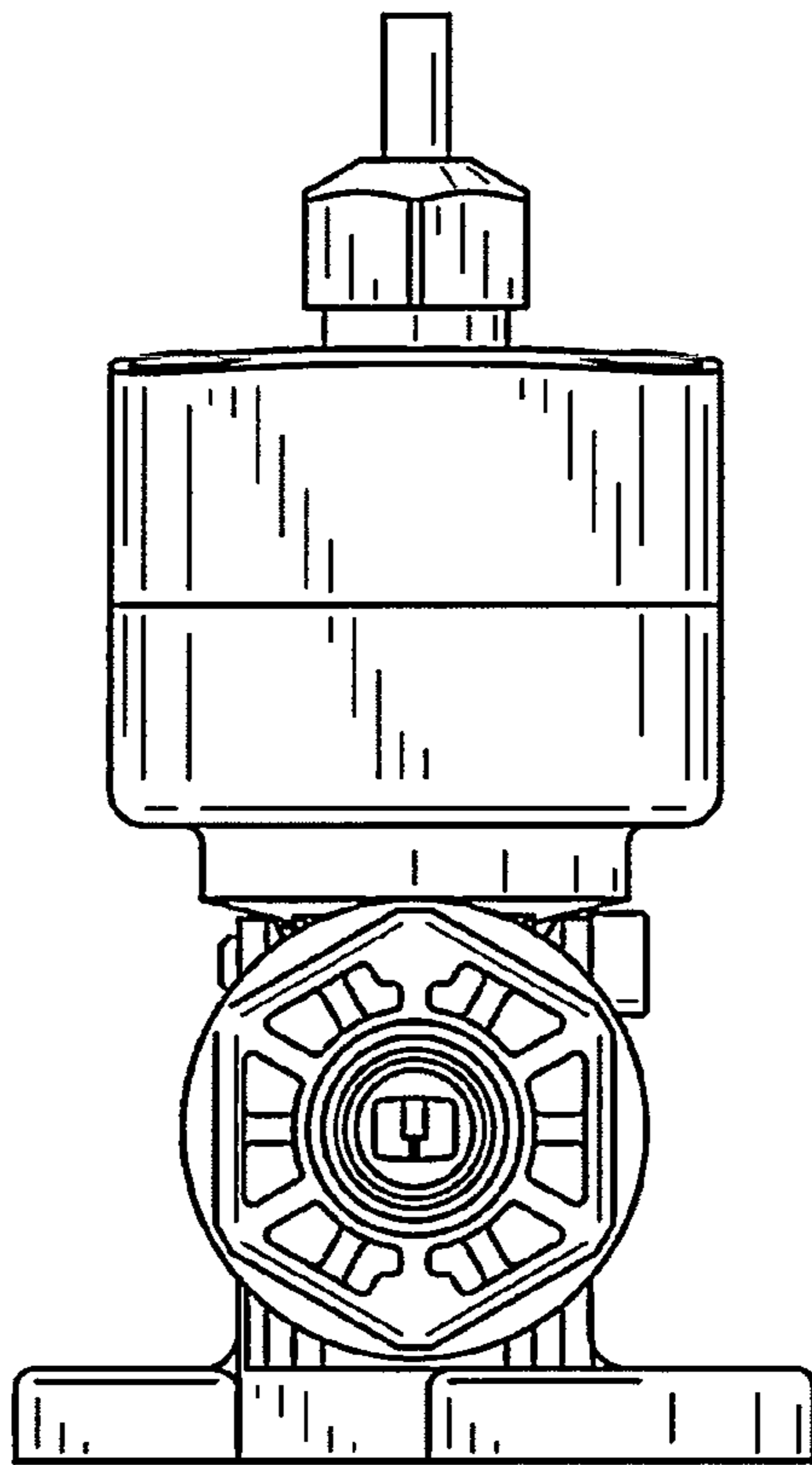


FIG. 7

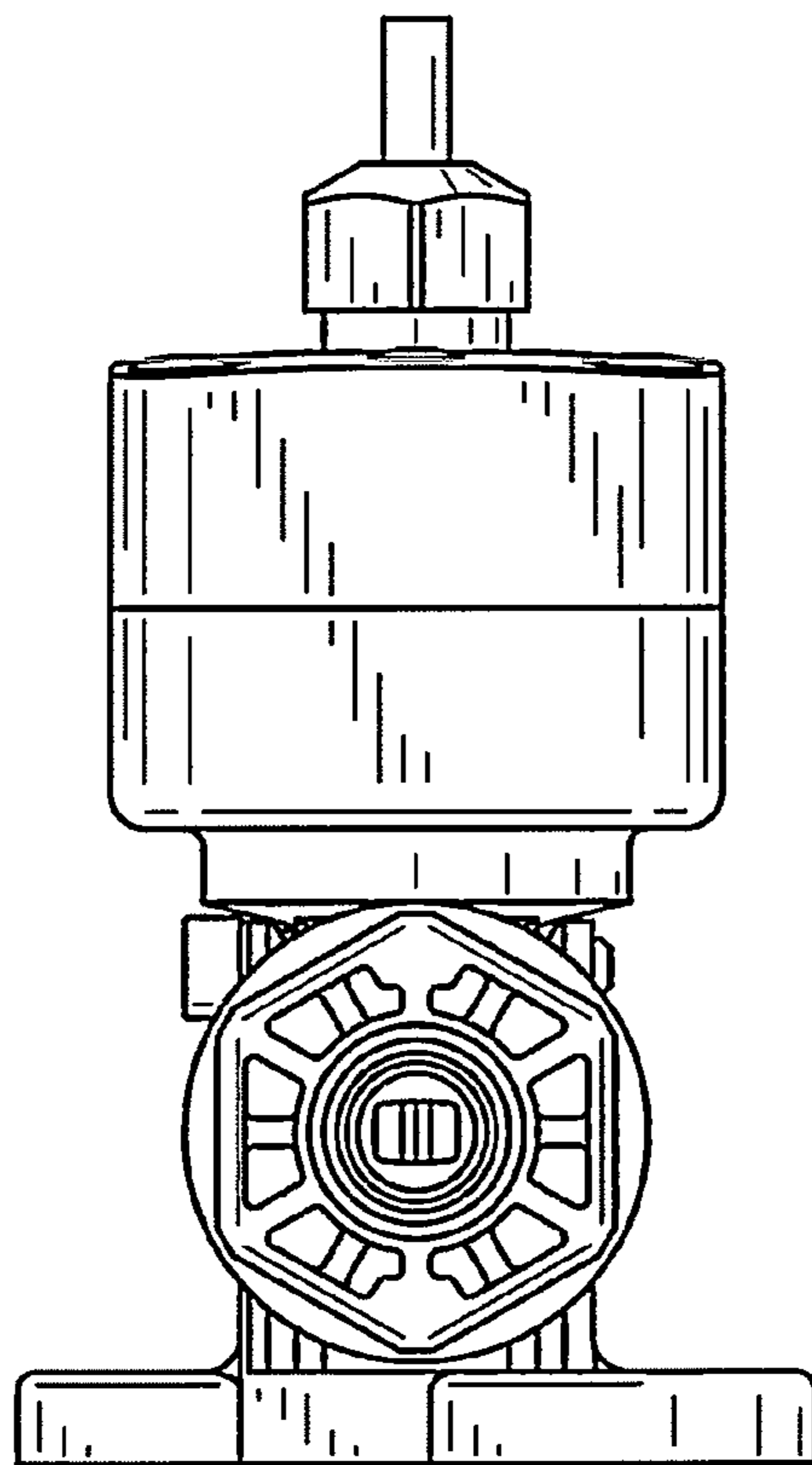


FIG. 8

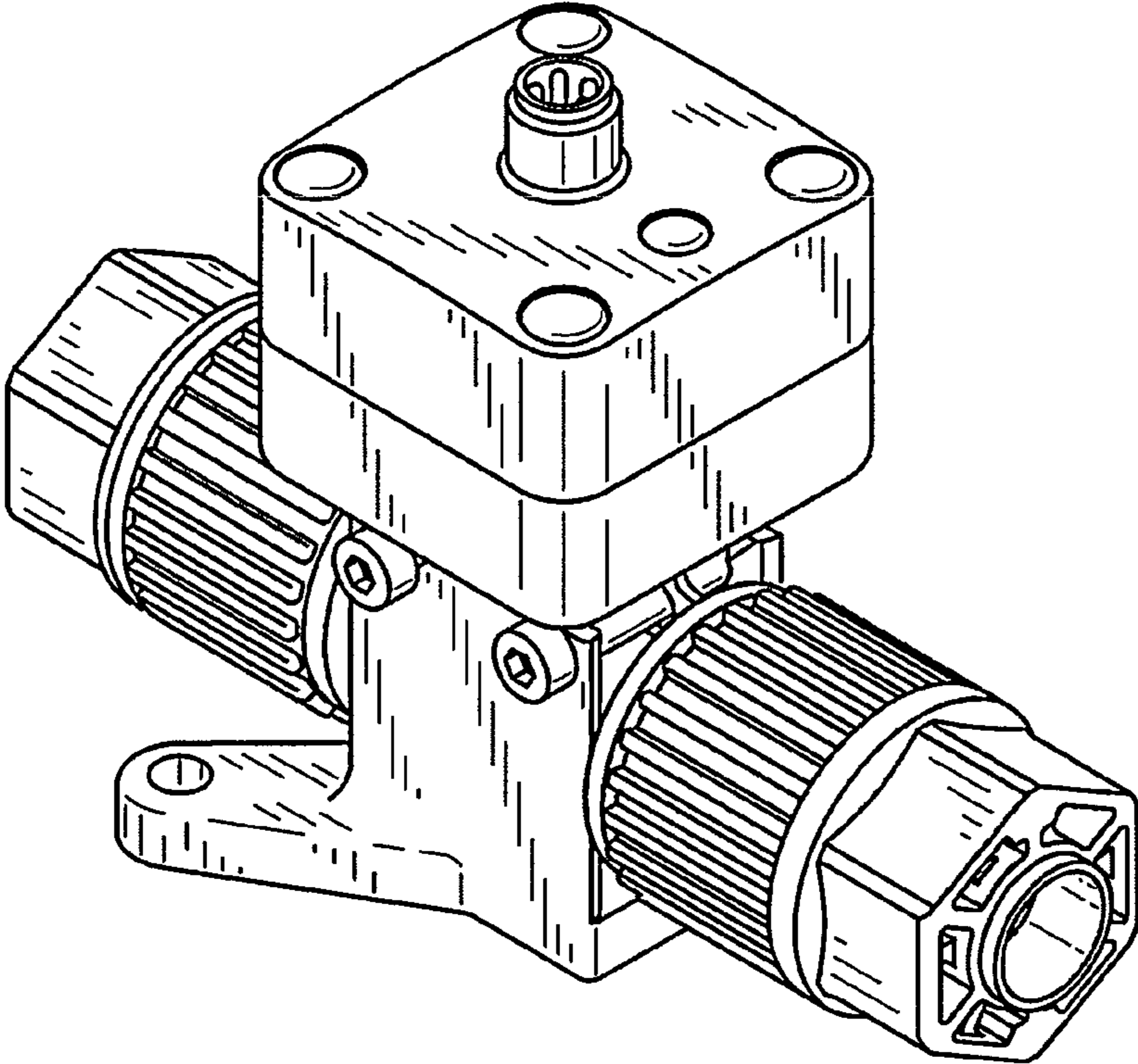


FIG. 9

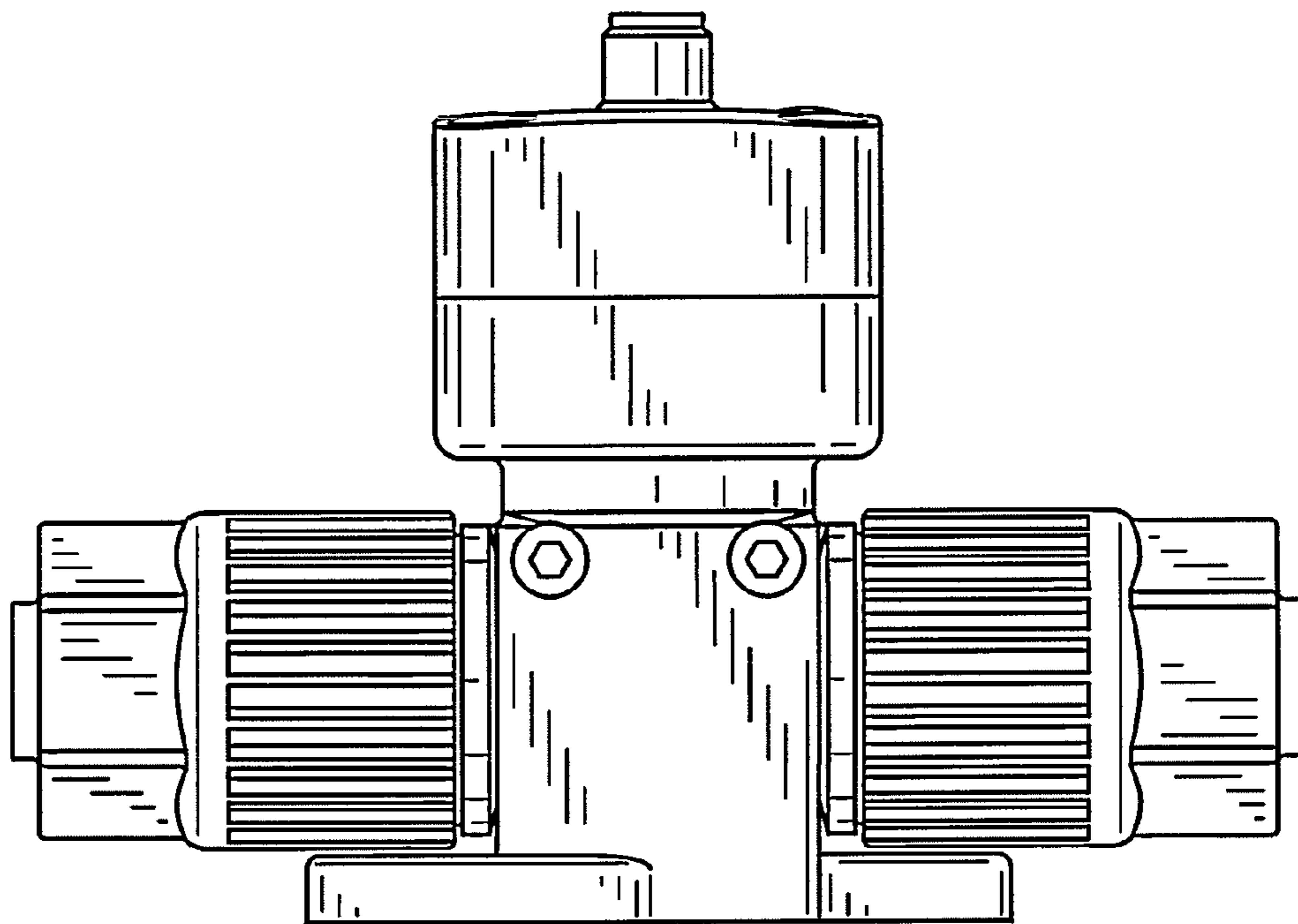


FIG. 10

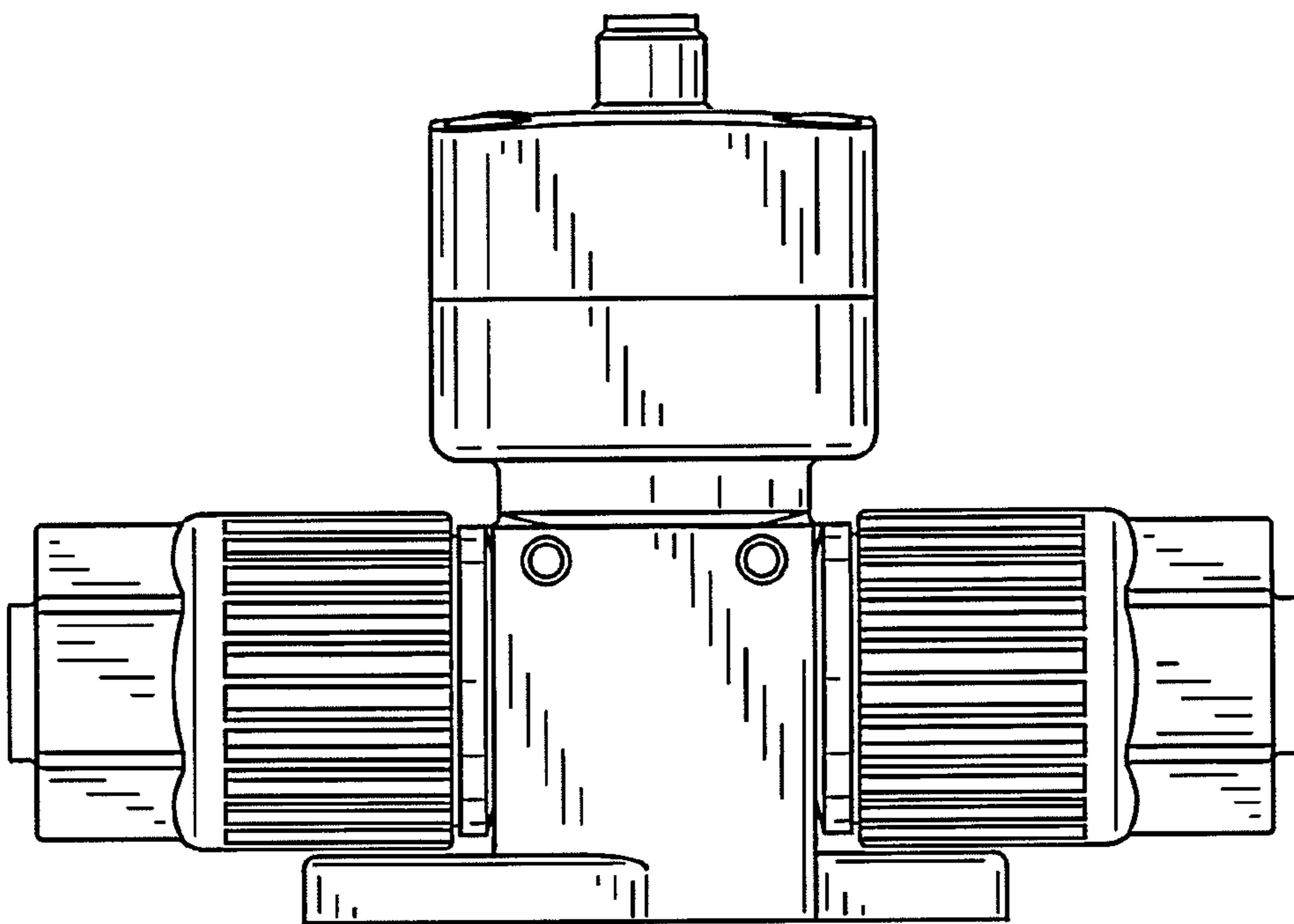


FIG. 11

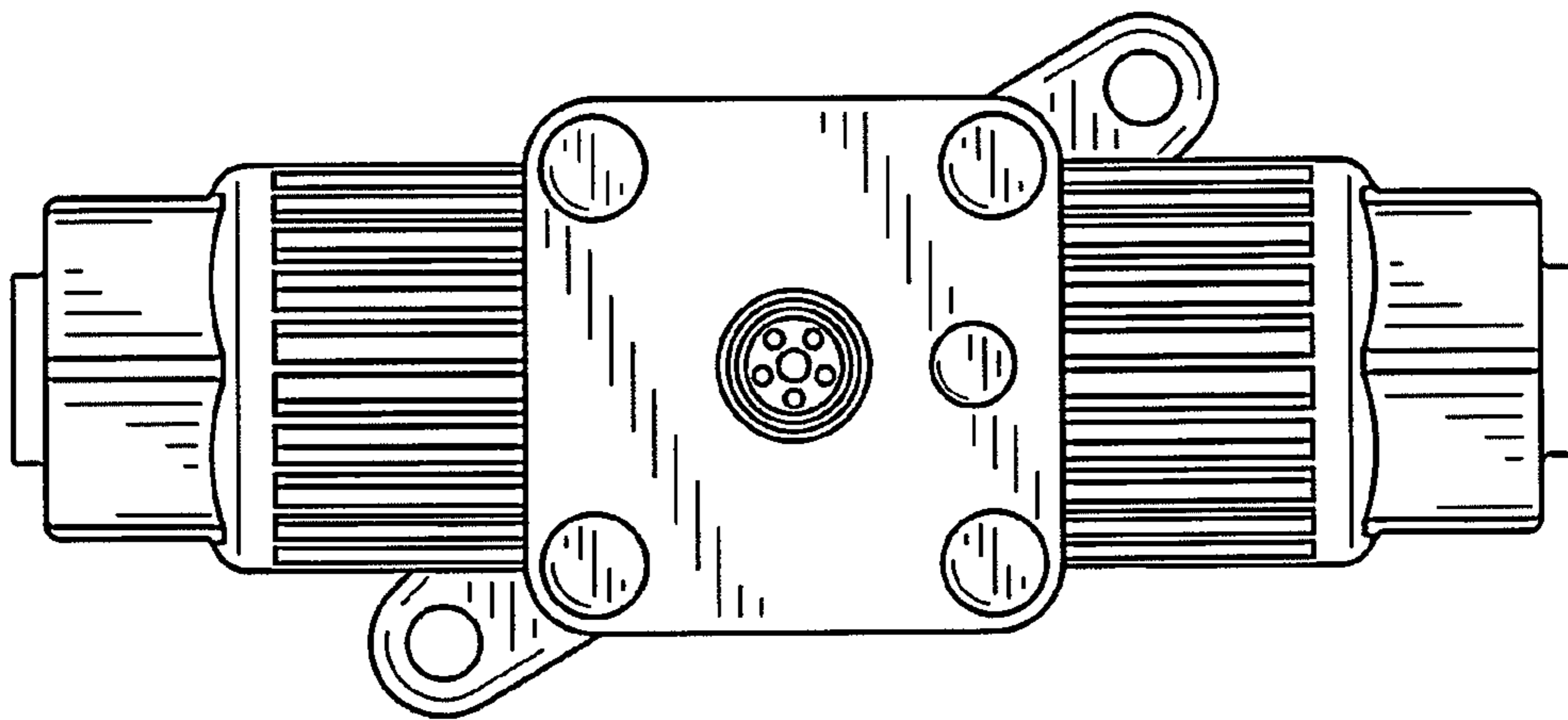


FIG. 12

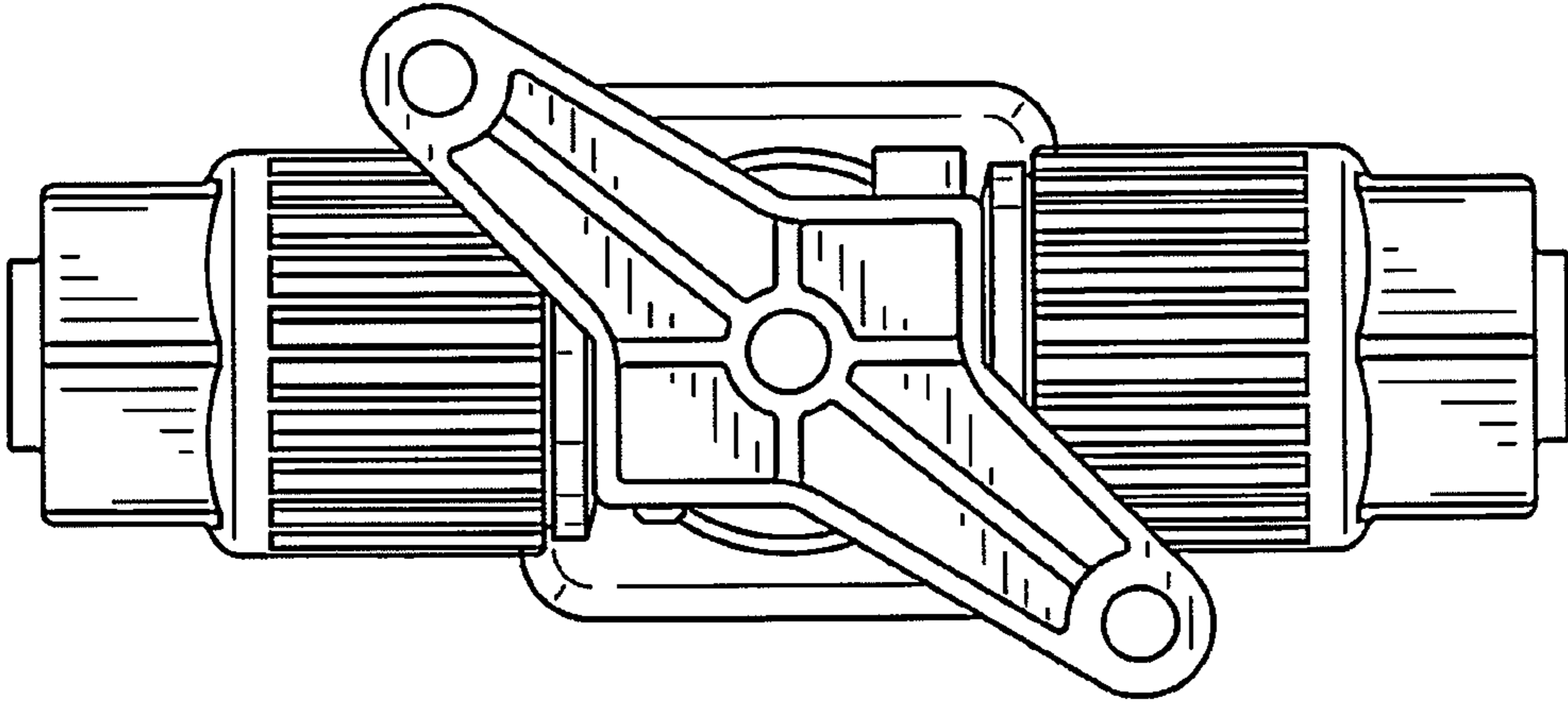


FIG. 13

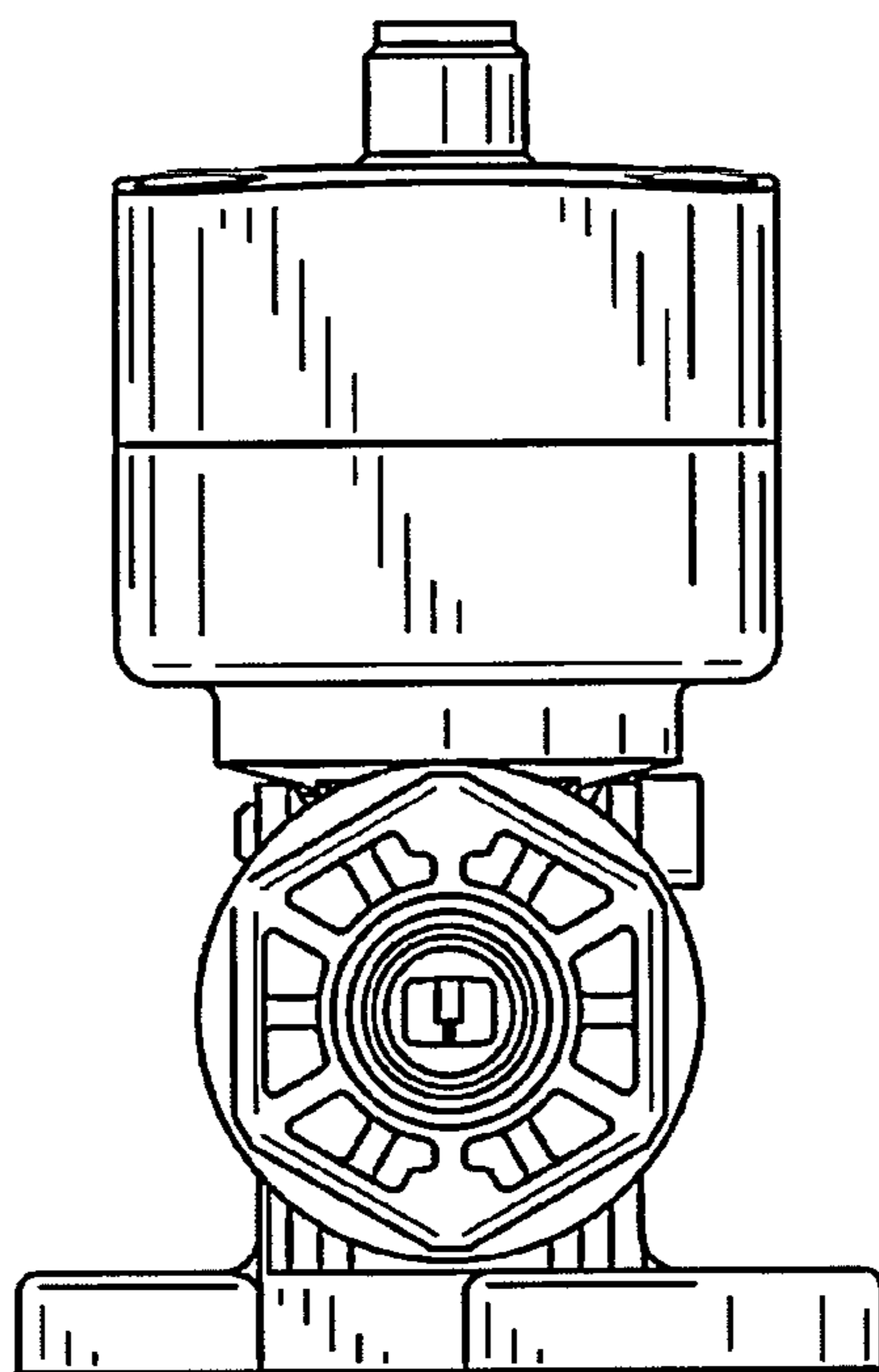


FIG. 14

