



US00D687729S

(12) **United States Design Patent**
Lee et al.

(10) **Patent No.:** **US D687,729 S**
(45) **Date of Patent:** **** Aug. 13, 2013**

(54) **BIO SENSING DEVICE**

2012/0073968 A1* 3/2012 Lee et al. 204/403.01

(75) Inventors: **Jin-Woo Lee**, Chungcheongnam-do
(KR); **Jae-Kyu Choi**,
Chungcheongnam-do (KR)

* cited by examiner

Primary Examiner — Antoine D Davis

(73) Assignee: **Ceragemmedisys Inc.**,
Chungcheongnam-do (KR)

(74) *Attorney, Agent, or Firm* — Harness, Dickey & Pierce,
P.L.C.

(**) Term: **14 Years**

(57) **CLAIM**

The ornamental design for a bio sensing device, as shown and described.

(21) Appl. No.: **29/422,540**

(22) Filed: **May 22, 2012**

DESCRIPTION

(51) **LOC (9) Cl.** **08-05**

(52) **U.S. Cl.**
USPC **D10/81**

(58) **Field of Classification Search**
USPC D10/81; 204/400, 403.01, 406, 415;
600/583, 584
See application file for complete search history.

FIG. 1 is a perspective view of a bio sensing device in accordance with the invention.

FIG. 2 is a top view of the bio sensing device of FIG. 1.

FIG. 3 is a bottom view of the bio sensing device of FIG. 1.

FIG. 4 is a front view of the bio sensing device of FIG. 1.

FIG. 5 is a back view of the bio sensing device of FIG. 1.

FIG. 6 is a left side view of the bio sensing device of FIG. 1;

and,

FIG. 7 is a right side view of the bio sensing device of FIG. 1.

The broken line showing is for environmental purposes only and forms no part of the claimed design.

(56) **References Cited**

U.S. PATENT DOCUMENTS

D360,840 S * 8/1995 Brockway et al. D10/81
2003/0223906 A1 * 12/2003 McAllister et al. 422/58
2006/0108218 A1 * 5/2006 Gephart et al. 204/400

1 Claim, 3 Drawing Sheets

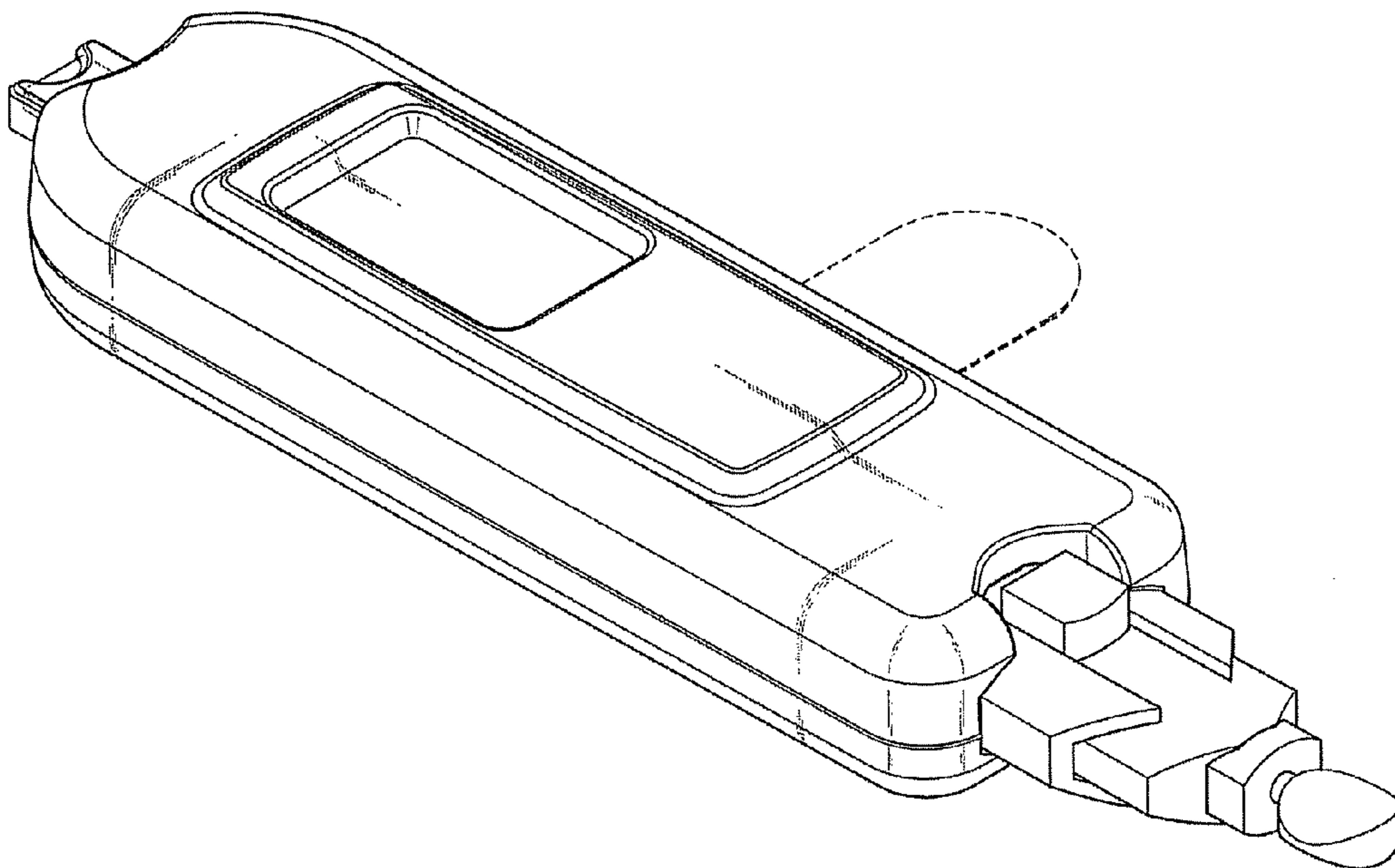


FIG. 1

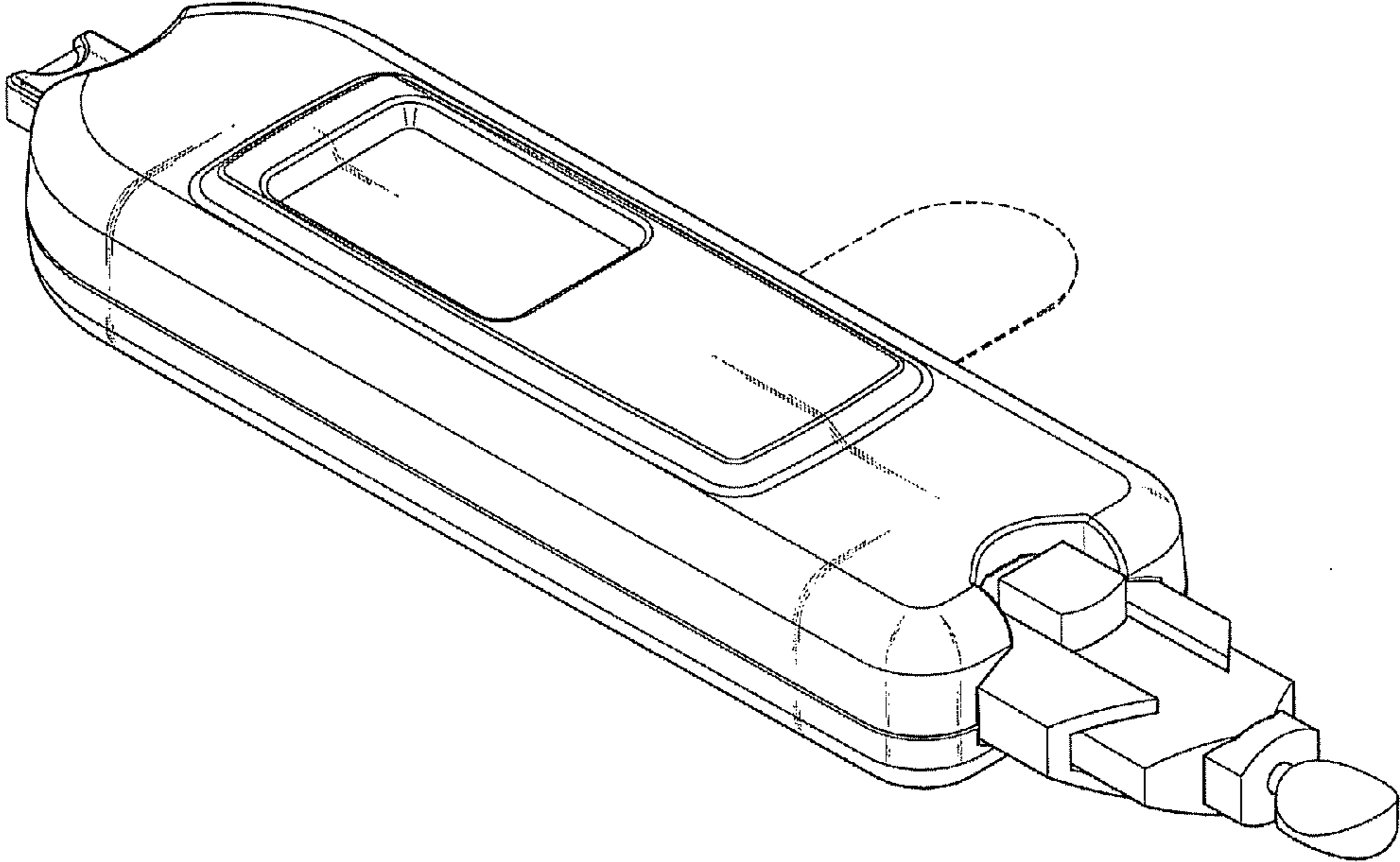


FIG. 2

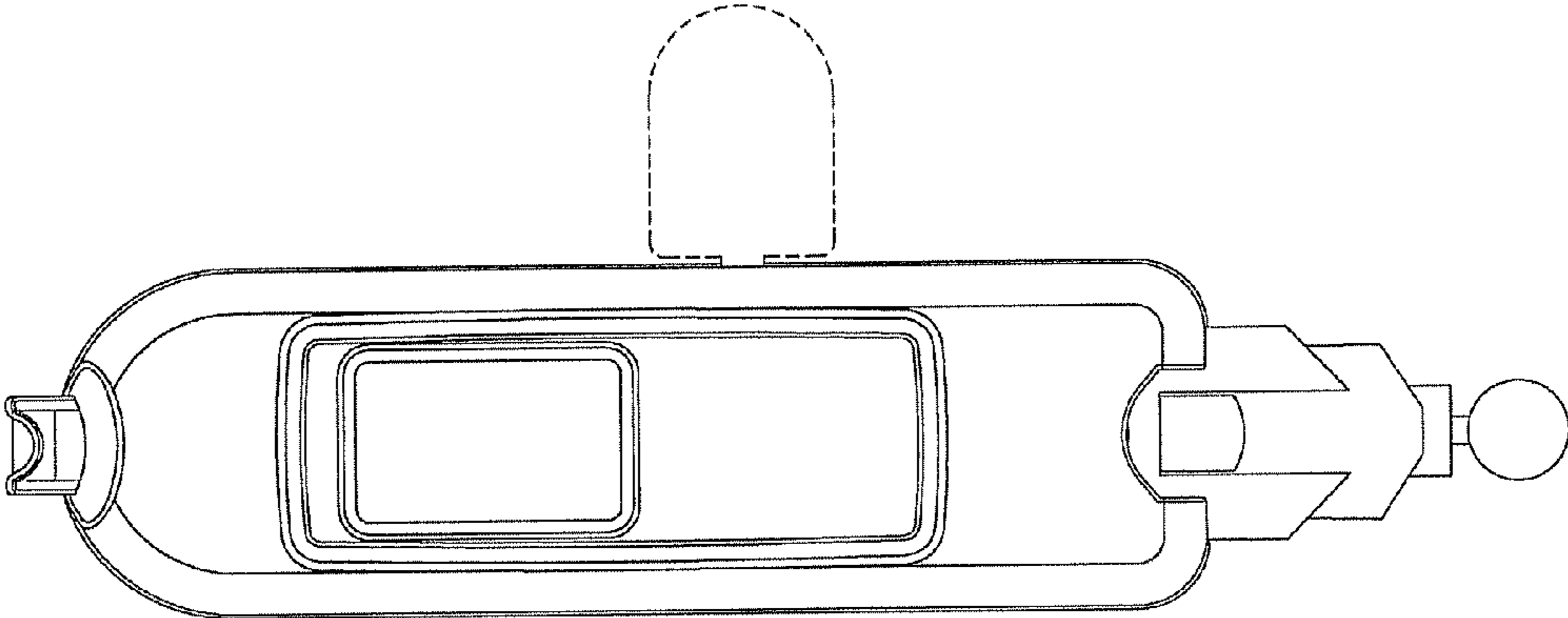


FIG. 3

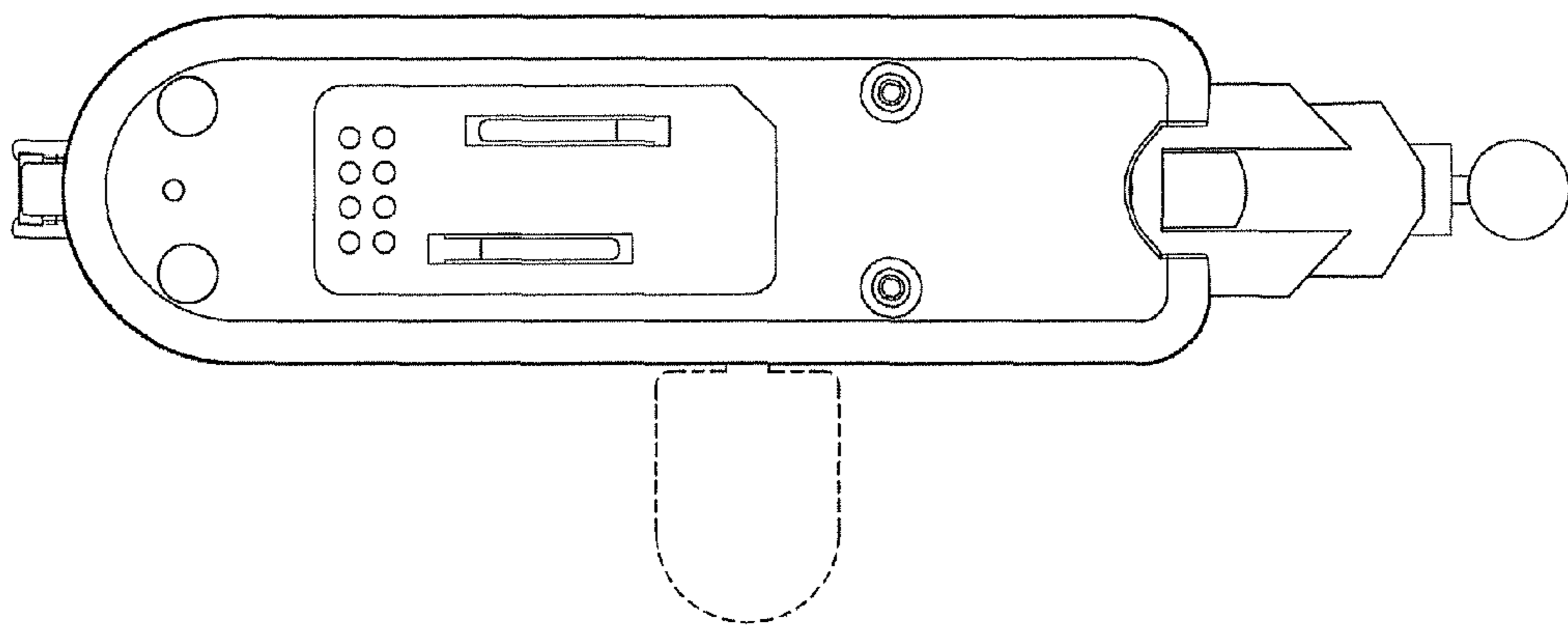


FIG. 4

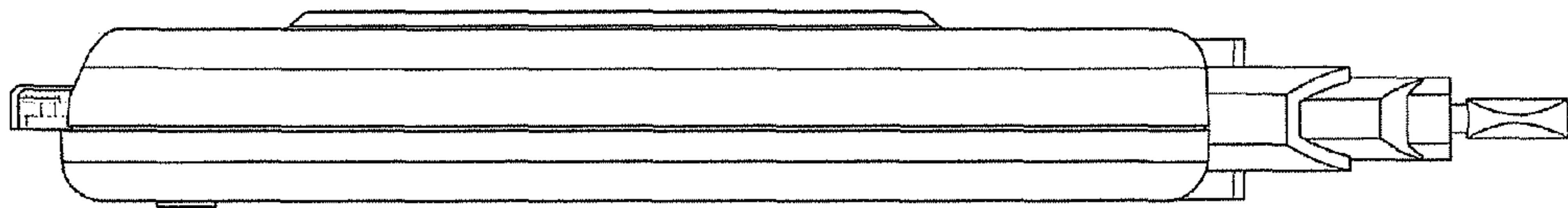


FIG. 5

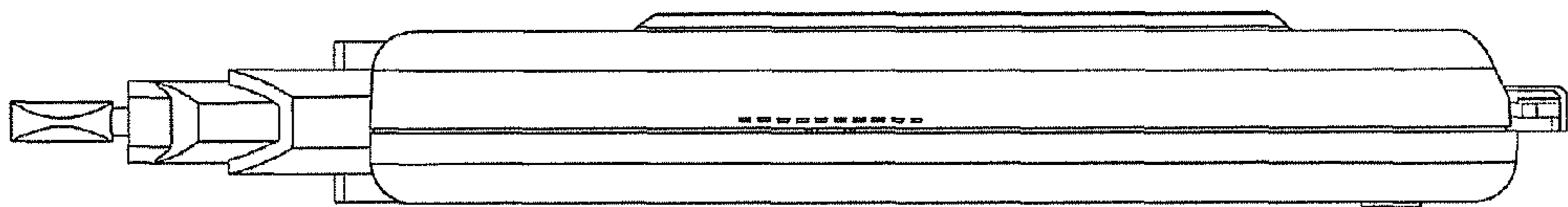


FIG. 6

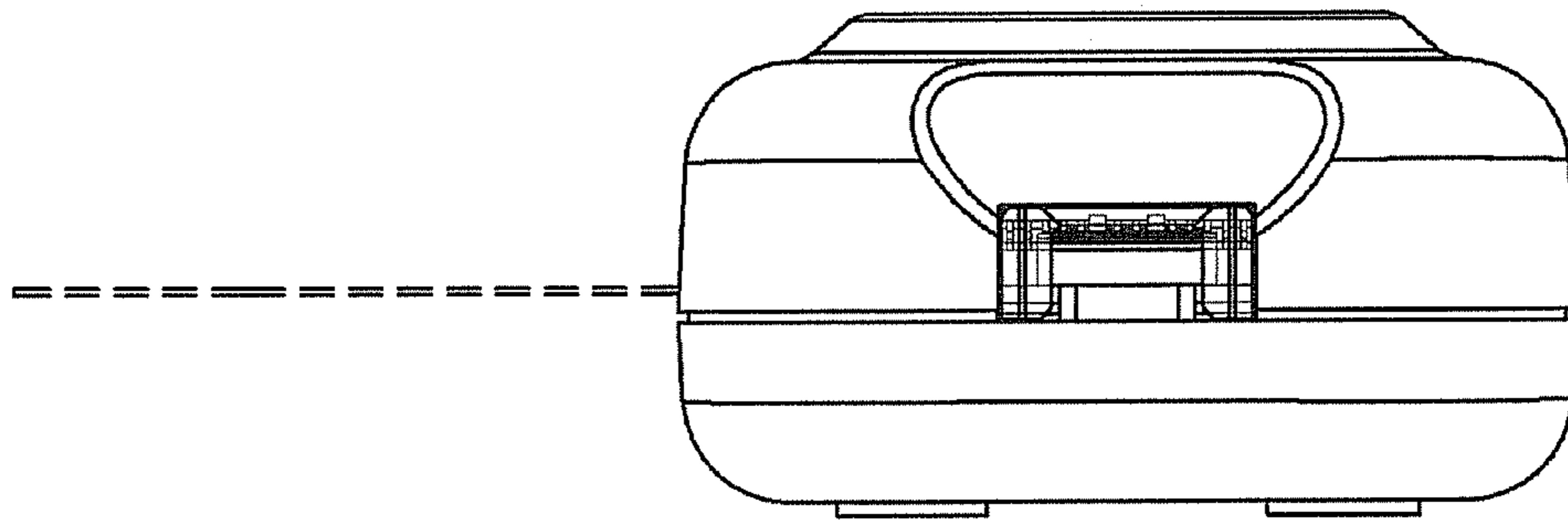


FIG. 7

