



US00D687725S

(12) **United States Design Patent**
Gerold et al.

(10) **Patent No.:** **US D687,725 S**

(45) **Date of Patent:** **** Aug. 13, 2013**

(54) **TEMPERATURE AND HUMIDITY SENSOR**

(75) Inventors: **Lars Gerold**, Stuttgart (DE); **Klaus Baumgartner**, Sindelfingen (DE)

(73) Assignee: **Siemens Aktiengesellschaft**, Munich (DE)

(**) Term: **14 Years**

(21) Appl. No.: **29/400,262**

(22) Filed: **Aug. 25, 2011**

(30) **Foreign Application Priority Data**

Feb. 25, 2011 (EM) 001827056

(51) **LOC (9) Cl.** **10-04**

(52) **U.S. Cl.**
USPC **D10/53**

(58) **Field of Classification Search**
USPC D10/52, 53, 56; 73/29.01, 29.02,
73/335.01-335.09, 73-77, 170.16, 431, 29.04,
73/29.05; 324/163, 170, 171, 208; 374/121,
374/124, 142, 208; 236/21 B, 21 R; 702/177,
702/182, 187, 188

See application file for complete search history.

(56) **References Cited**

U.S. PATENT DOCUMENTS

D378,900 S * 4/1997 de Sieyes et al. D10/52
D619,023 S * 7/2010 Brooking et al. D10/56

* cited by examiner

Primary Examiner — Antoine D Davis

(74) *Attorney, Agent, or Firm* — Staas & Halsey LLP

(57) **CLAIM**

The industrial design for temperature and humidity sensor, as shown and described.

DESCRIPTION

FIG. 1 is a bottom plan view of the temperature and humidity sensor

FIG. 2 is a top plan view of the temperature and humidity sensor

FIG. 3 is a right-side view of the temperature and humidity sensor

FIG. 4 is a left-side view of the temperature and humidity sensor

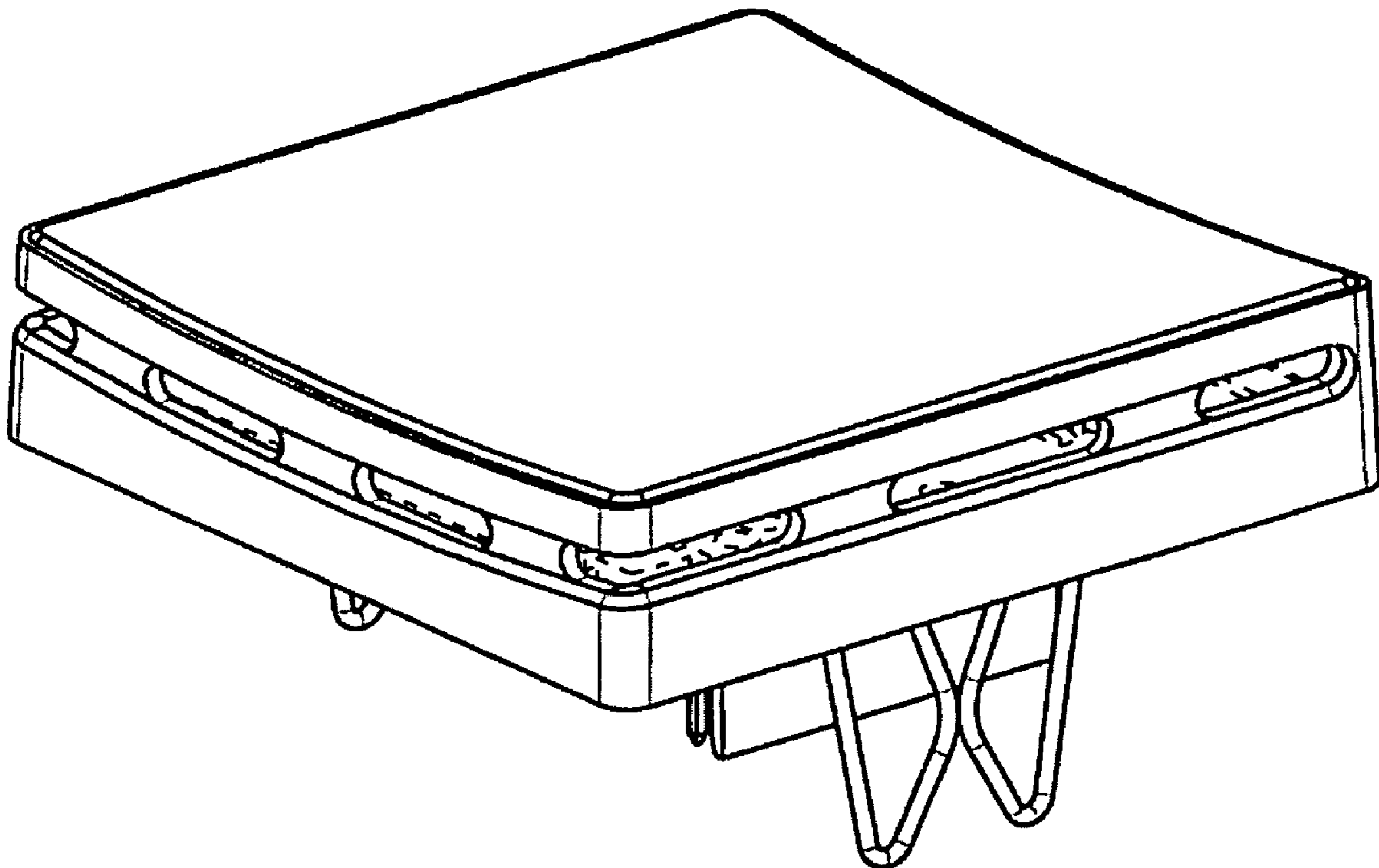
FIG. 5 is a front view of the temperature and humidity sensor

FIG. 6 is a rear view of the temperature and humidity sensor; and,

FIG. 7 is a front perspective view of a temperature and humidity sensor.

The broken lines shown in FIGS. 1, 3, 4, 6 and 7, which are immediately adjacent to the shaded areas and define unshaded regions, represent the bounds of the claimed design, while all other broken lines are directed to environment and are for illustrative purposes only; the broken lines form no part of the claimed design.

1 Claim, 6 Drawing Sheets



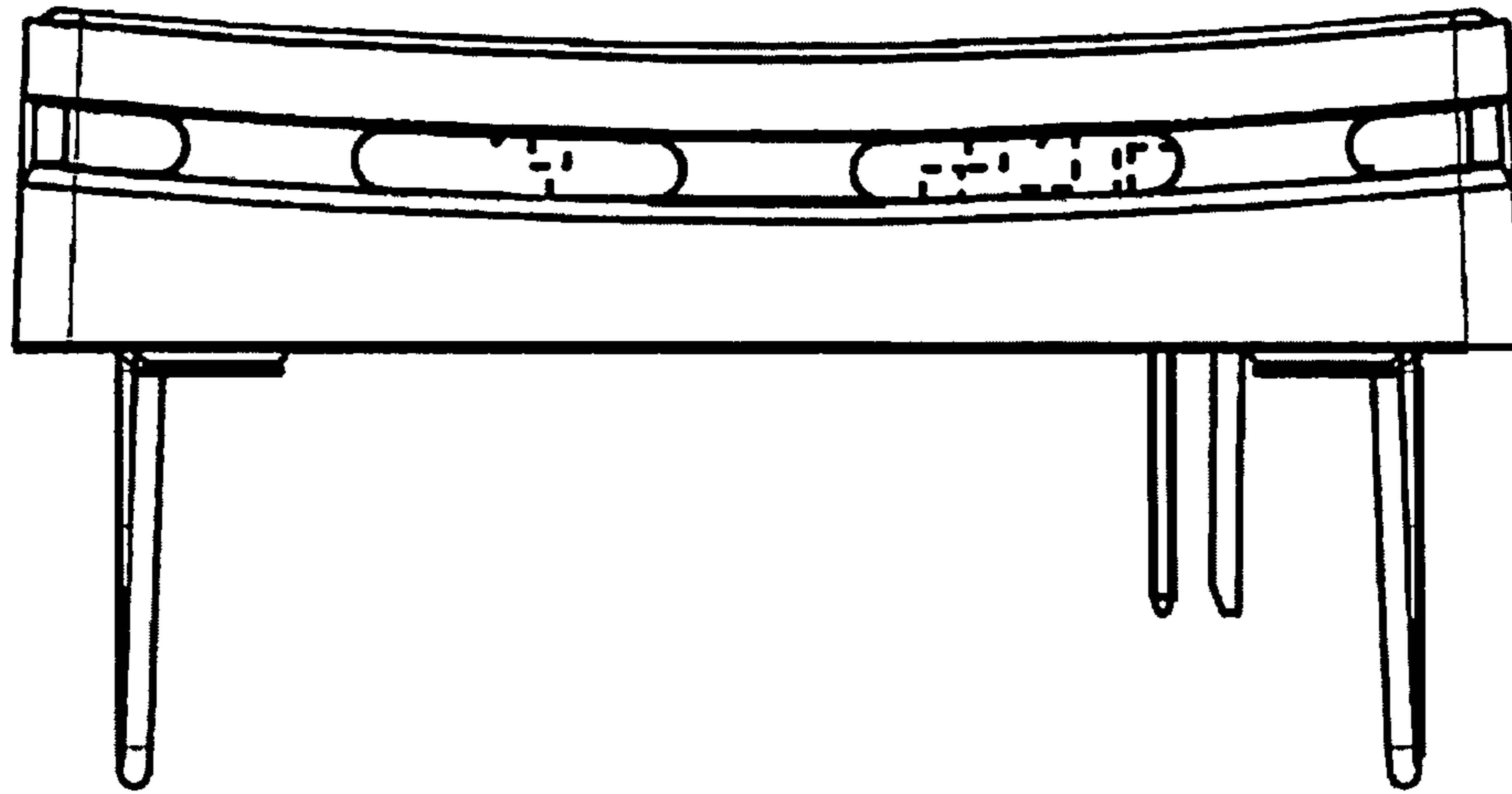


FIG. 1

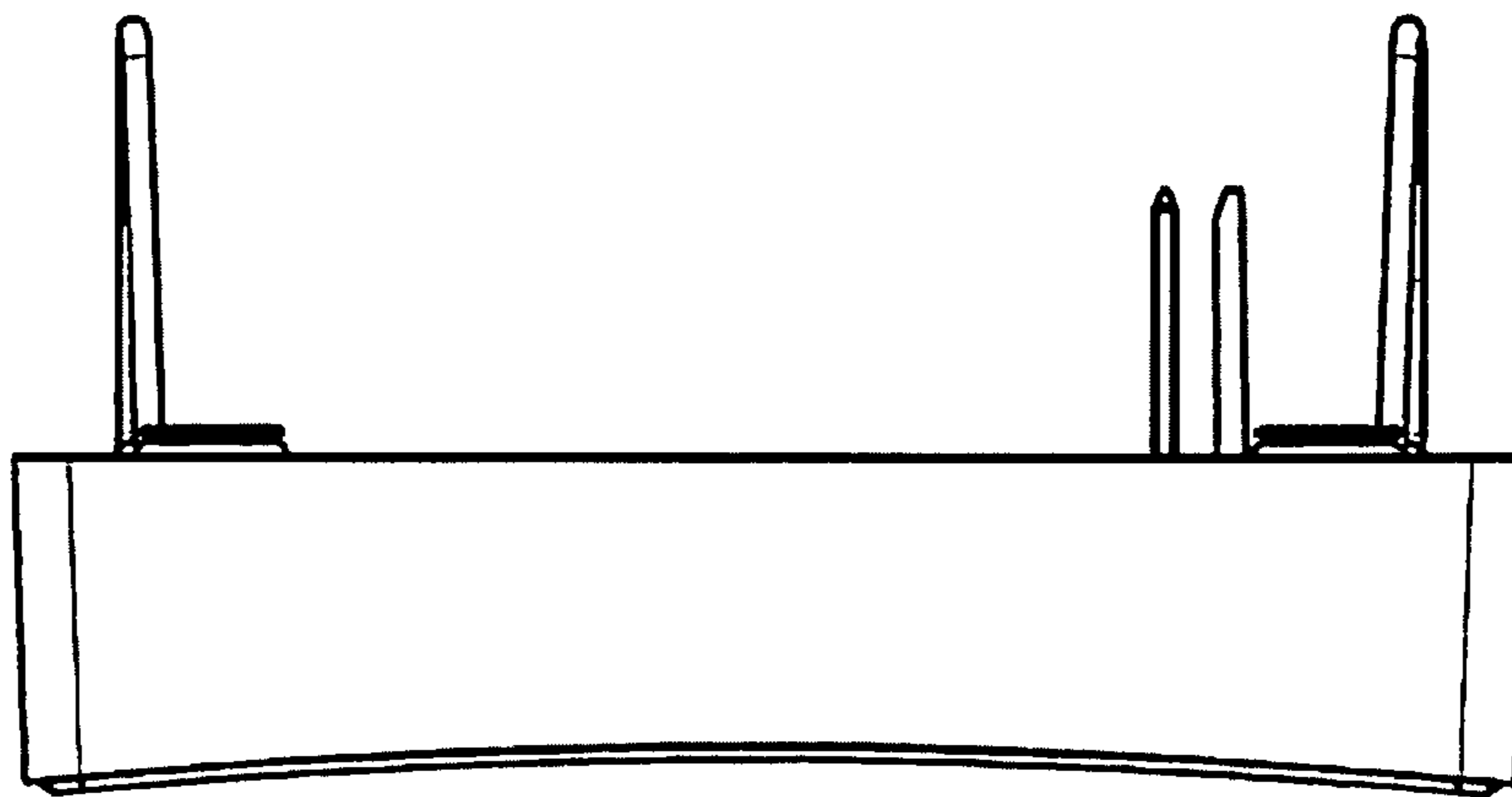


FIG. 2

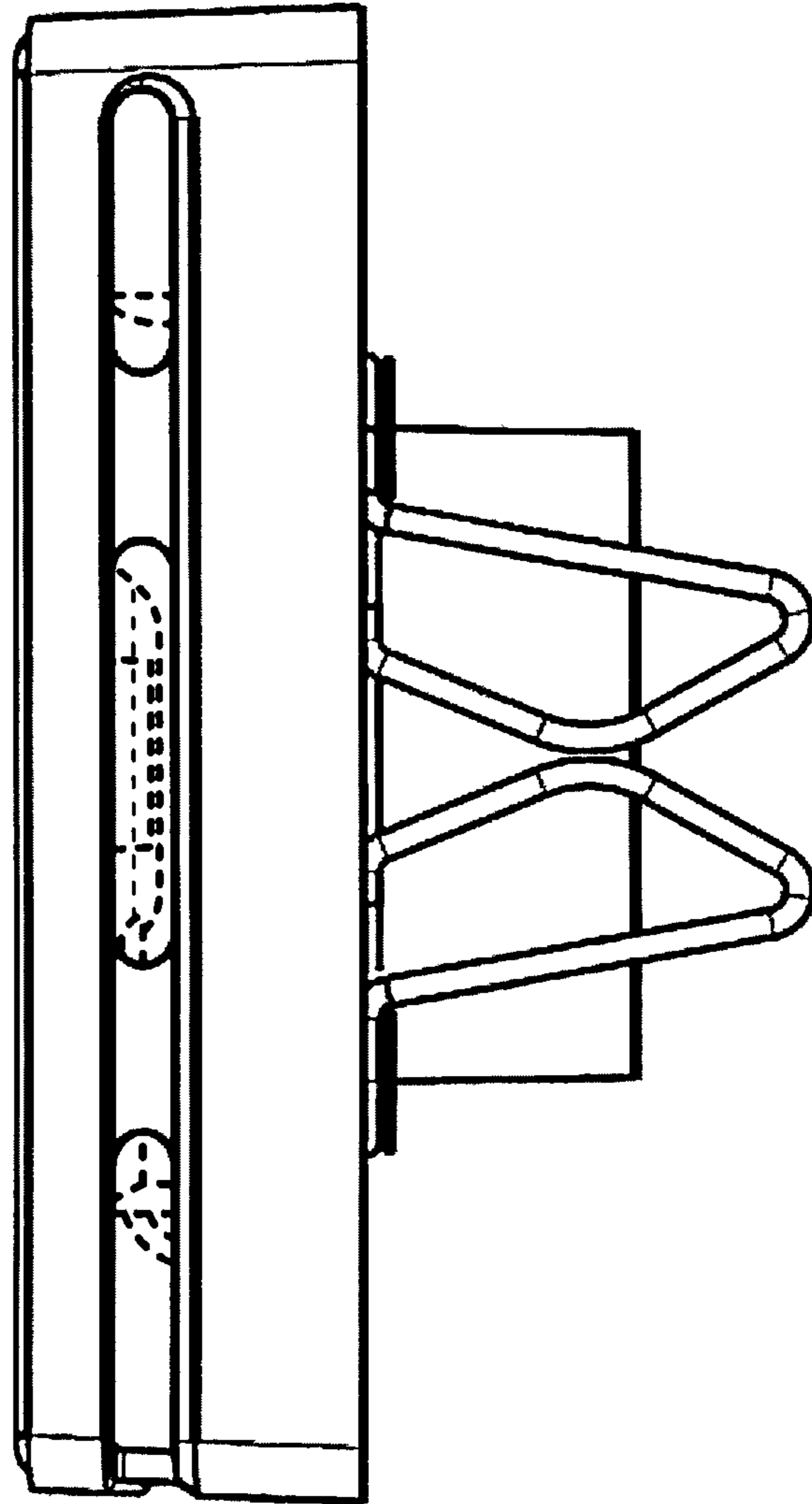


FIG. 3

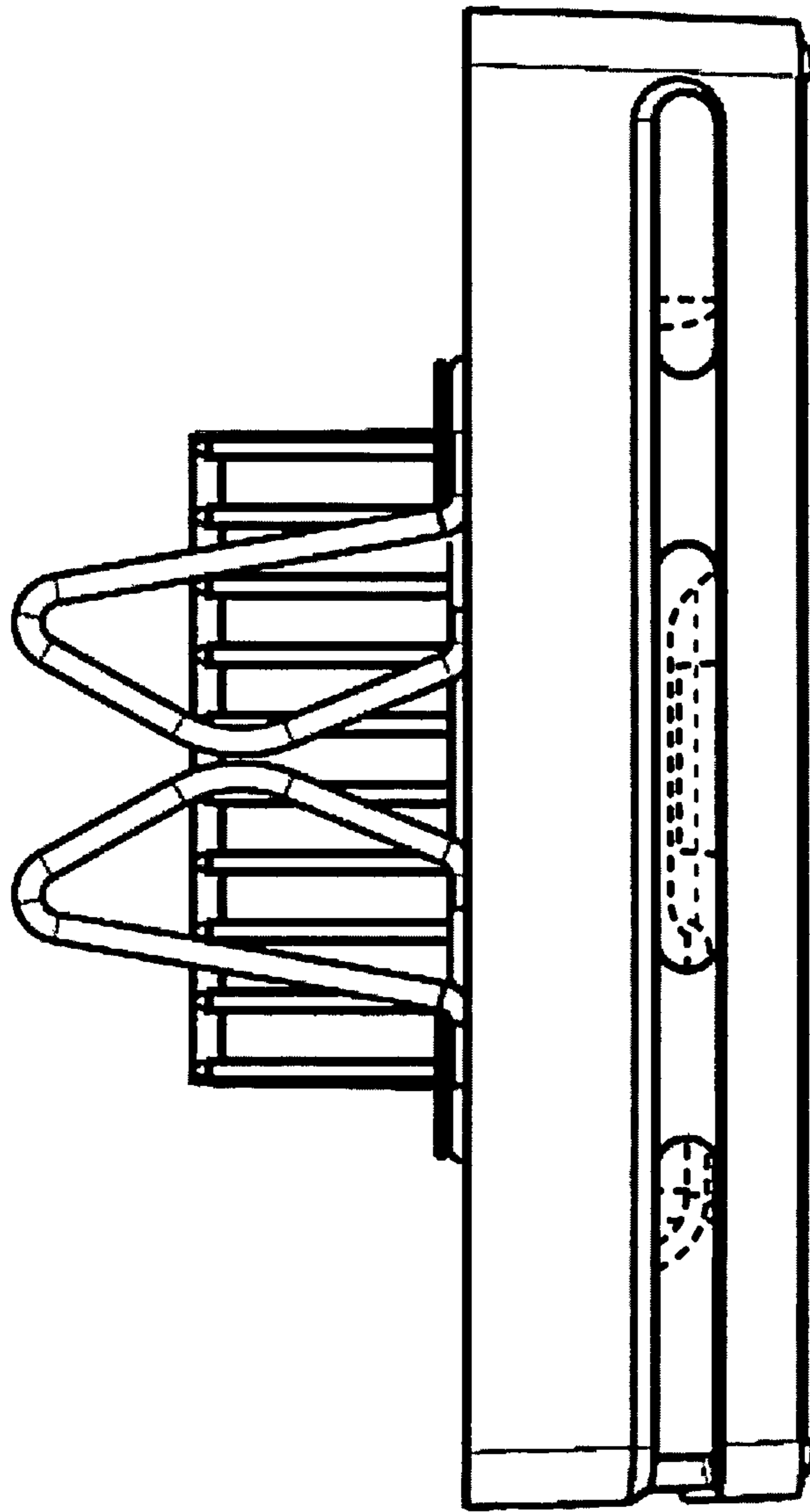


FIG. 4

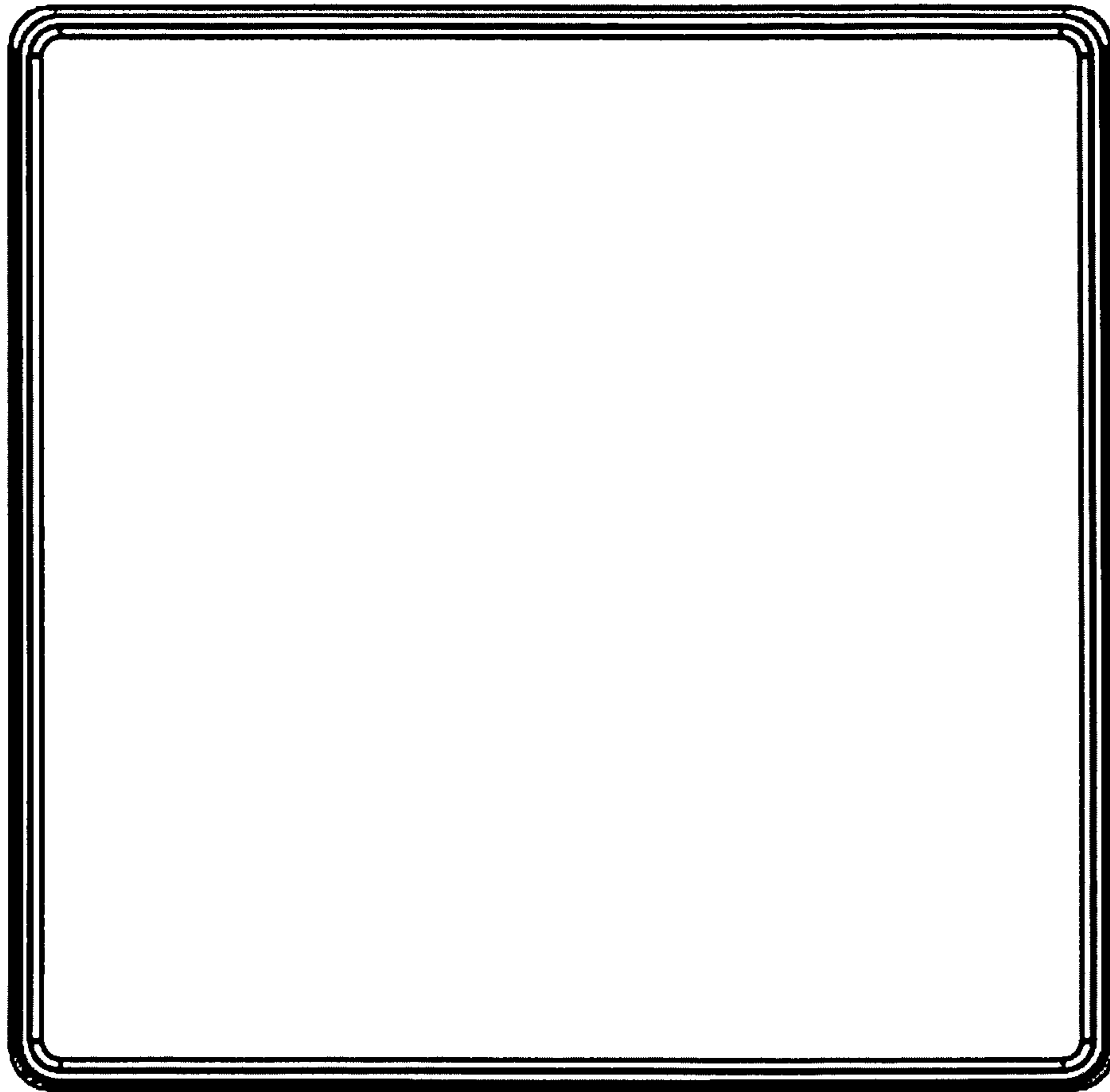


FIG. 5

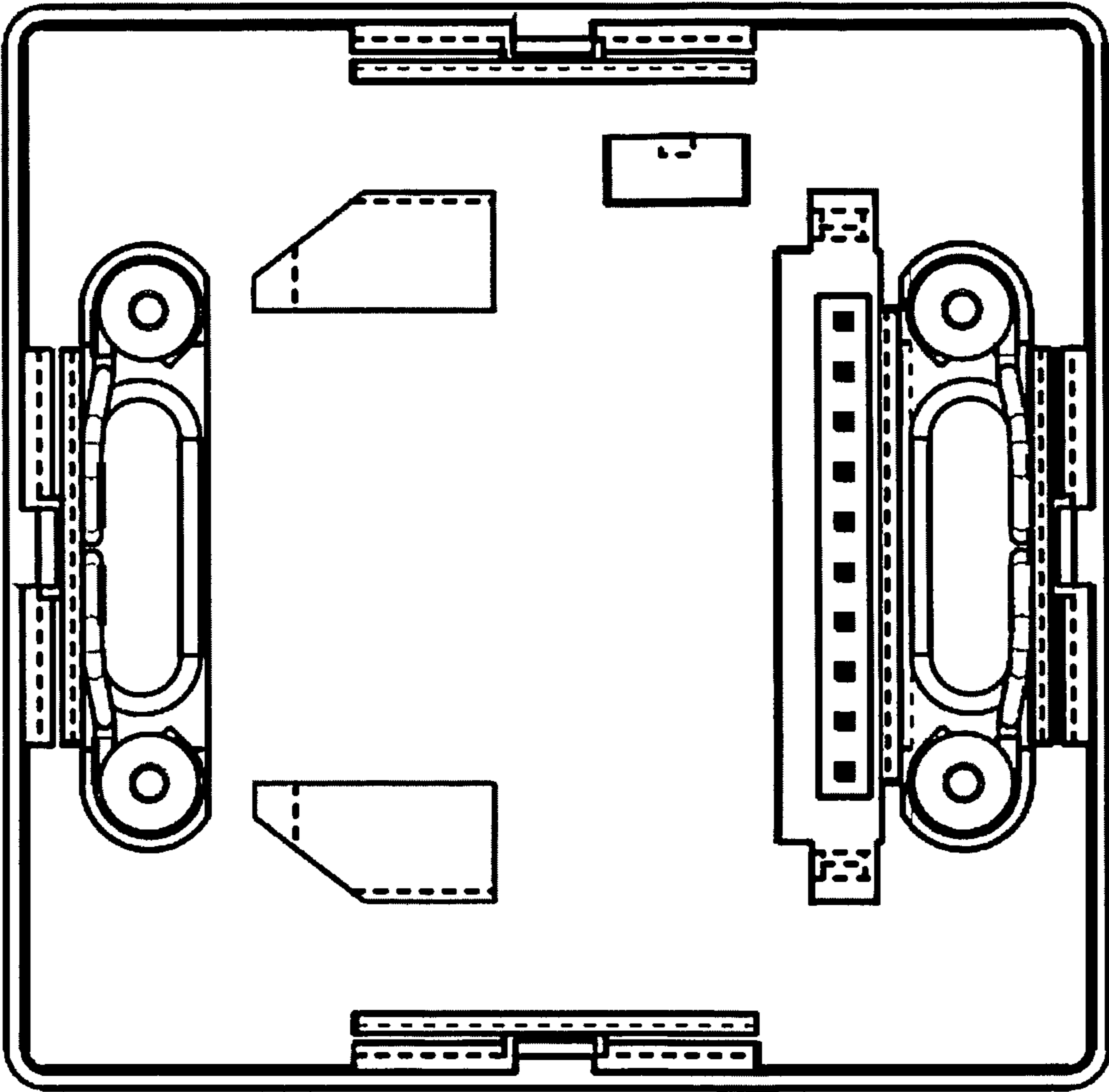


FIG. 6

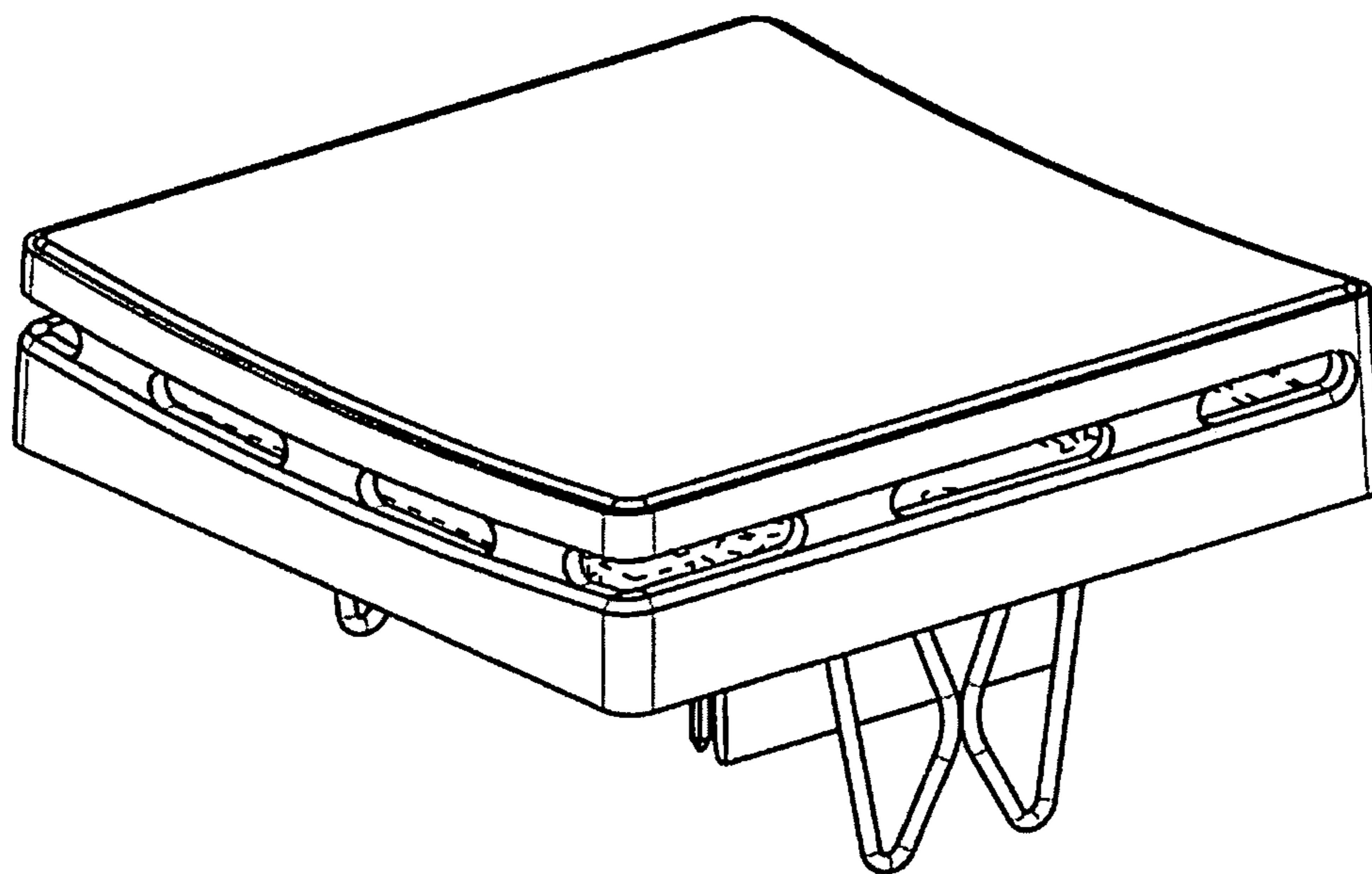


FIG. 7