



US00D687721S

(12) **United States Design Patent**
Karwowska

(10) **Patent No.:** **US D687,721 S**

(45) **Date of Patent:** **** Aug. 13, 2013**

(54) **FLEXIBLE BOTTLE**

(71) Applicant: **Points of Light, Inc.**, Fairfield, NJ (US)

(72) Inventor: **Wioleta Karwowska**, Fairfield, NJ (US)

(73) Assignee: **Points of Light, Inc.**, Fairfield, NJ (US)

(**) Term: **14 Years**

(21) Appl. No.: **29/435,600**

(22) Filed: **Oct. 25, 2012**

(51) **LOC (9) Cl.** **09-05**

(52) **U.S. Cl.**
USPC **D9/710**

(58) **Field of Classification Search**
USPC D9/702-714, 720-722, 414, 434-435,
D9/696, 716, 771, 447, 516-517, 738-747,
D9/544; 383/104, 6, 9, 22, 96, 61.1, 80-81,
383/901, 63, 203, 107, 119-120, 123; D24/118,
D24/207; 222/107, 92, 206; 604/408, 410,
604/403; 220/495.03, 675; 215/381-385,
215/400; 206/484; D3/202; 428/34.3
See application file for complete search history.

(56) **References Cited**

U.S. PATENT DOCUMENTS

D527,278 S *	8/2006	Ueda	D9/702
D528,011 S *	9/2006	Ueda	D9/702
D560,122 S *	1/2008	Fuchs et al.	D9/708
D584,168 S *	1/2009	Murray	D9/710
D617,648 S	6/2010	Puglisi		

D617,649 S	6/2010	Puglisi		
D628,087 S *	11/2010	Schroeder et al.	D9/710
D642,933 S *	8/2011	Schroeder et al.	D9/710
D645,762 S *	9/2011	Hong et al.	D9/710
D661,201 S *	6/2012	Schroeder et al.	D9/710
D674,707 S *	1/2013	Berman	D9/710
D678,079 S *	3/2013	Fritsch et al.	D9/710

* cited by examiner

Primary Examiner — Caron D Veynar

Assistant Examiner — Abraham Bahta

(74) *Attorney, Agent, or Firm* — Howard C. Miskin; Gloria Tsui-Yip

(57) **CLAIM**

The ornamental design for a flexible bottle, as shown and described.

DESCRIPTION

FIG. 1 is a perspective view of my new design;
FIG. 2 is another perspective view thereof;
FIG. 3 is a front elevational view thereof;
FIG. 4 is a rear elevational view thereof;
FIG. 5 is a left side view thereof;
FIG. 6 is a right side view thereof;
FIG. 7 is a top plan view thereof; and,
FIG. 8 is a bottom plan view thereof.
The broken line showing of a mouthpiece in FIGS. 1-7 and an opening shown in FIGS. 1-4 is included for the purpose of illustrating environmental structure and forms no part of the claimed design.

1 Claim, 6 Drawing Sheets

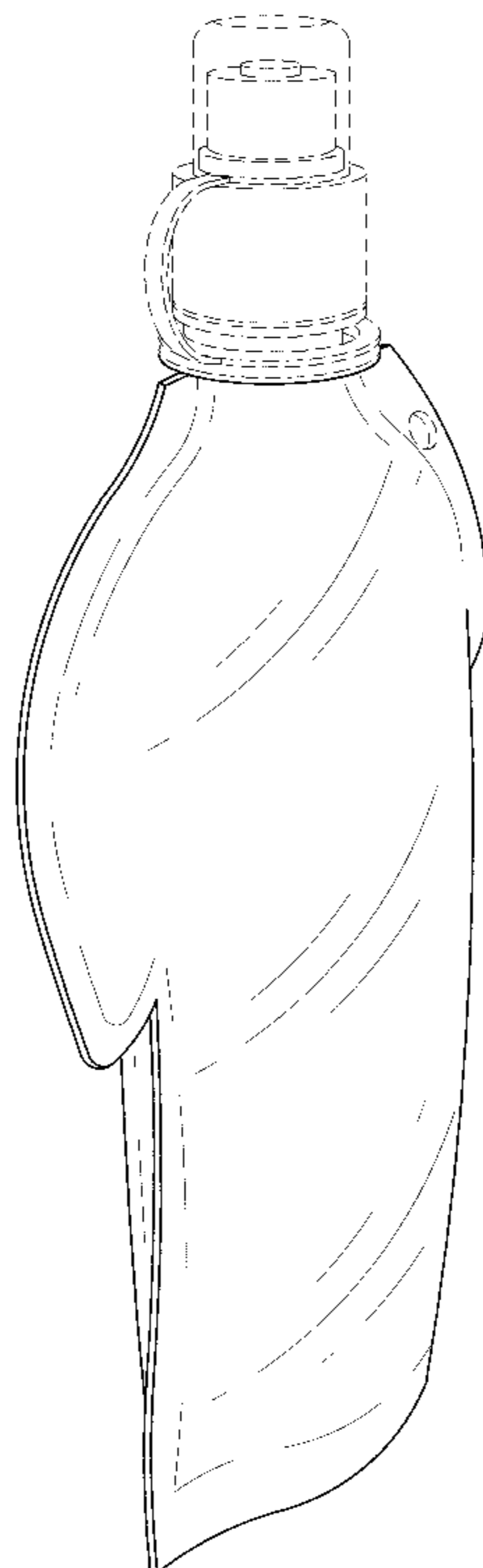




FIG. 1

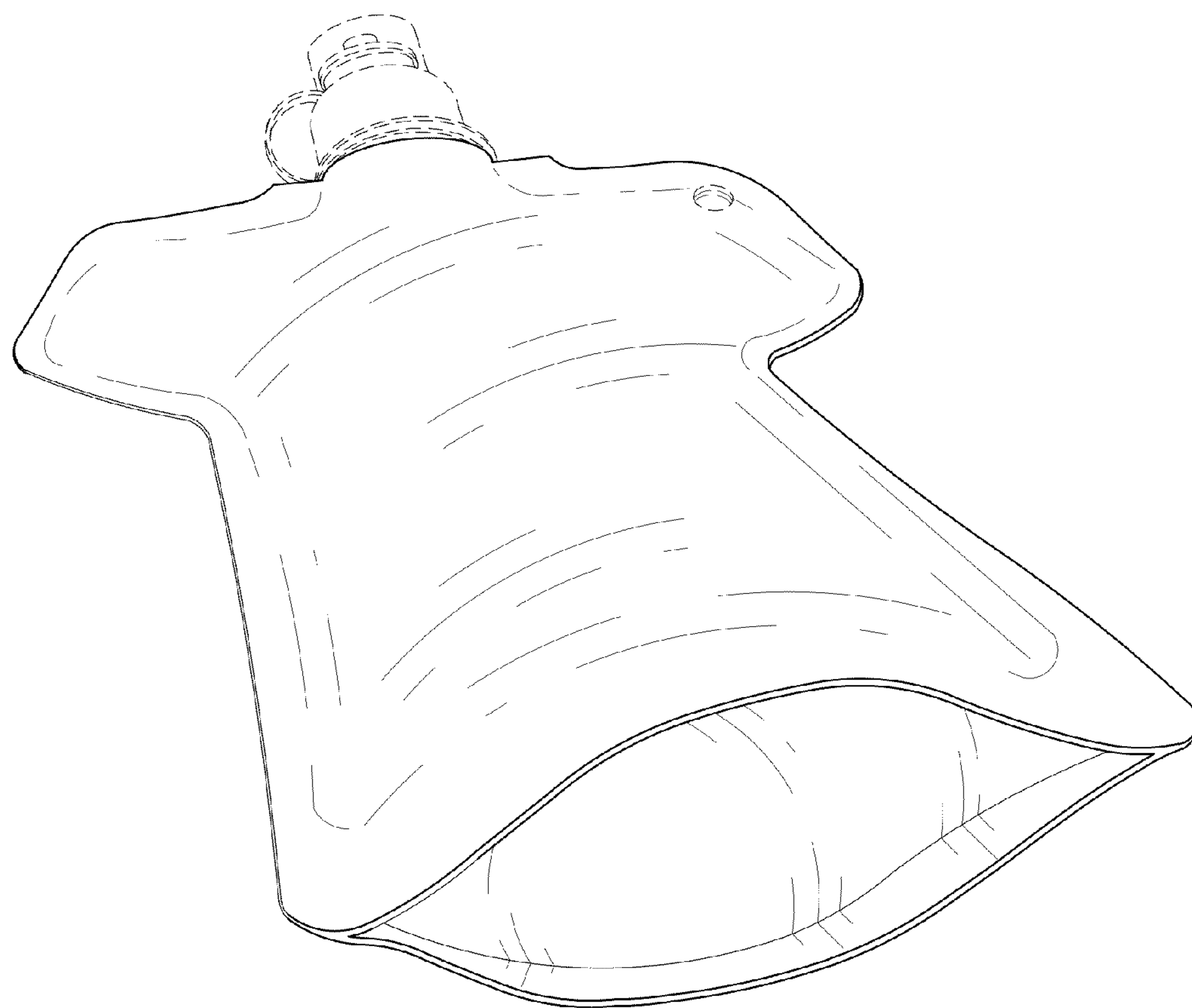


FIG. 2

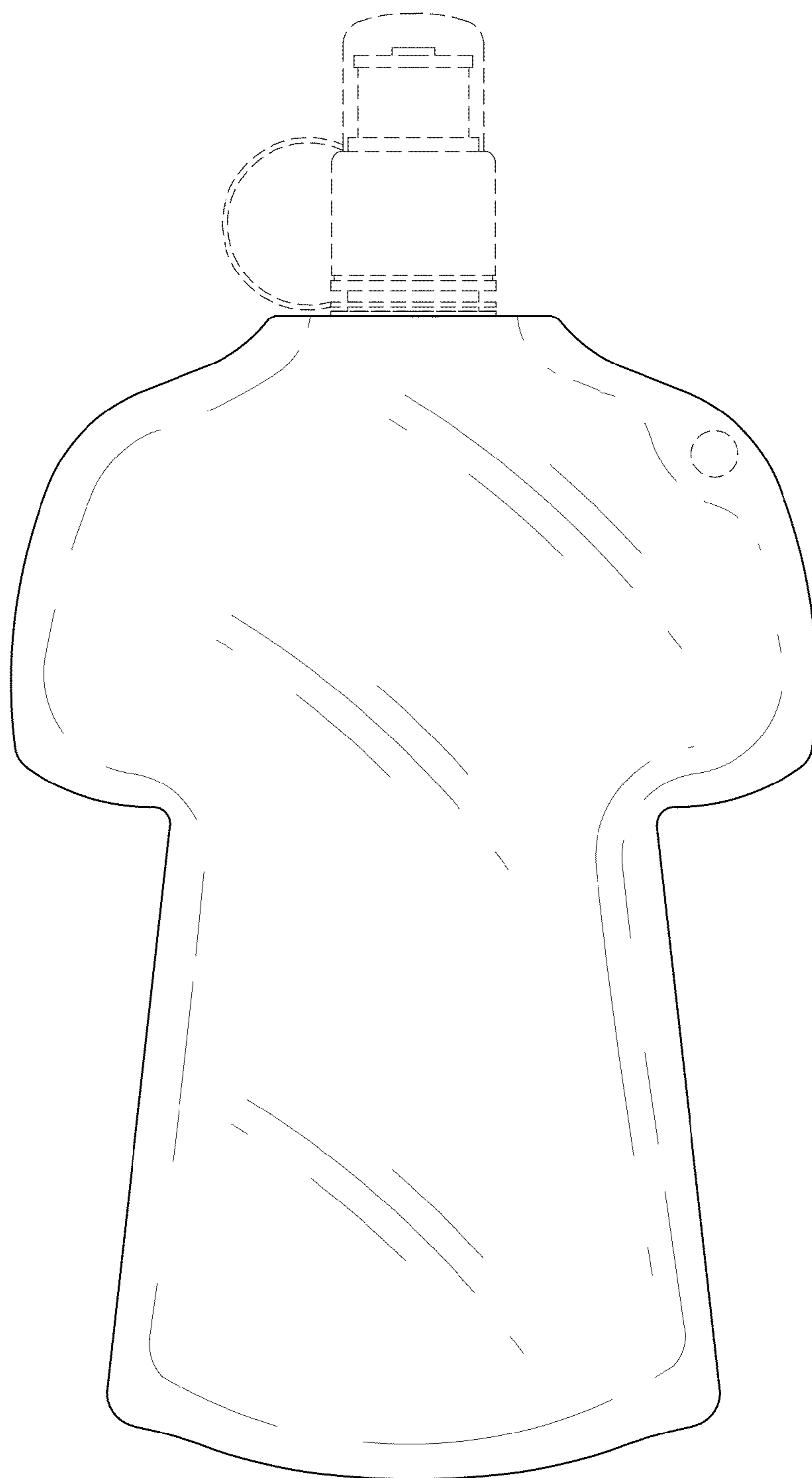


FIG. 3

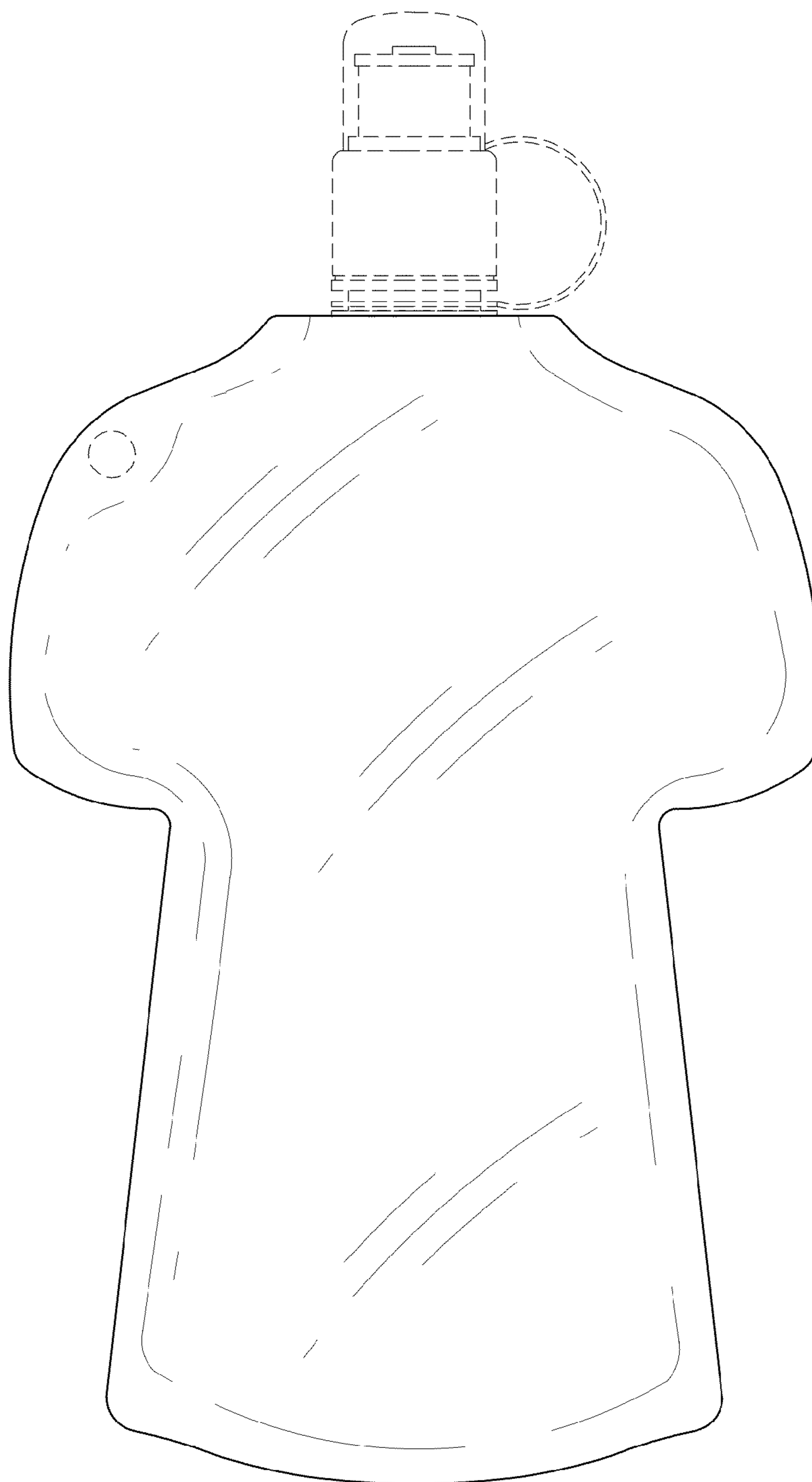


FIG. 4

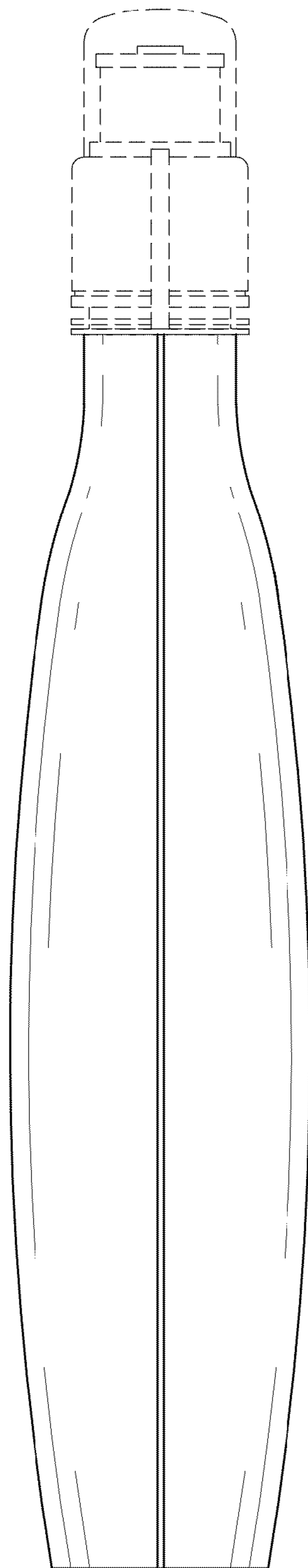


FIG. 5

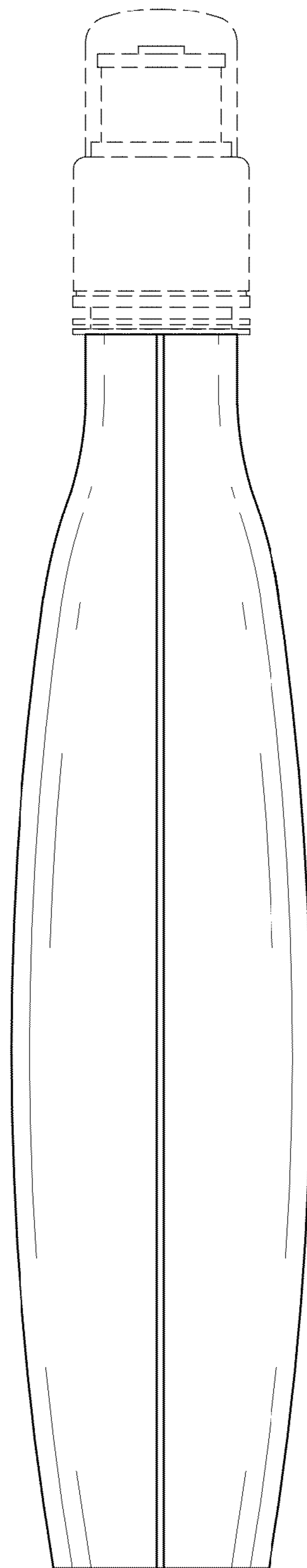


FIG. 6

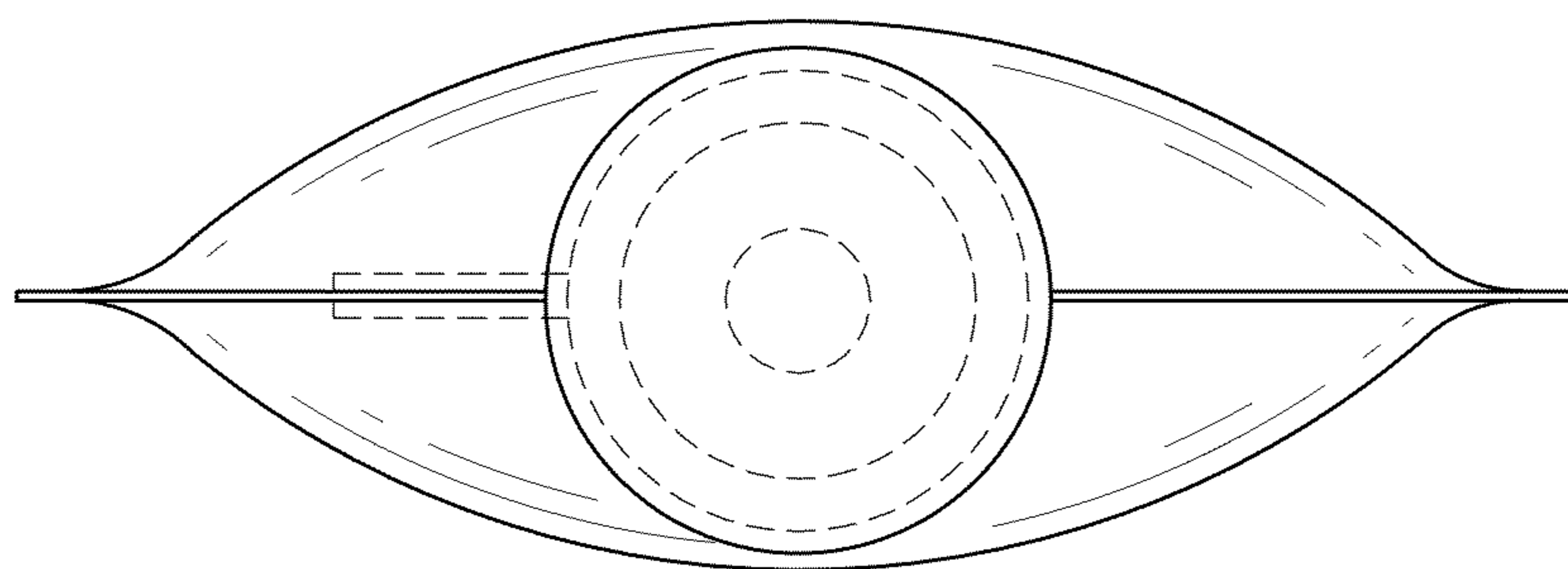


FIG. 7

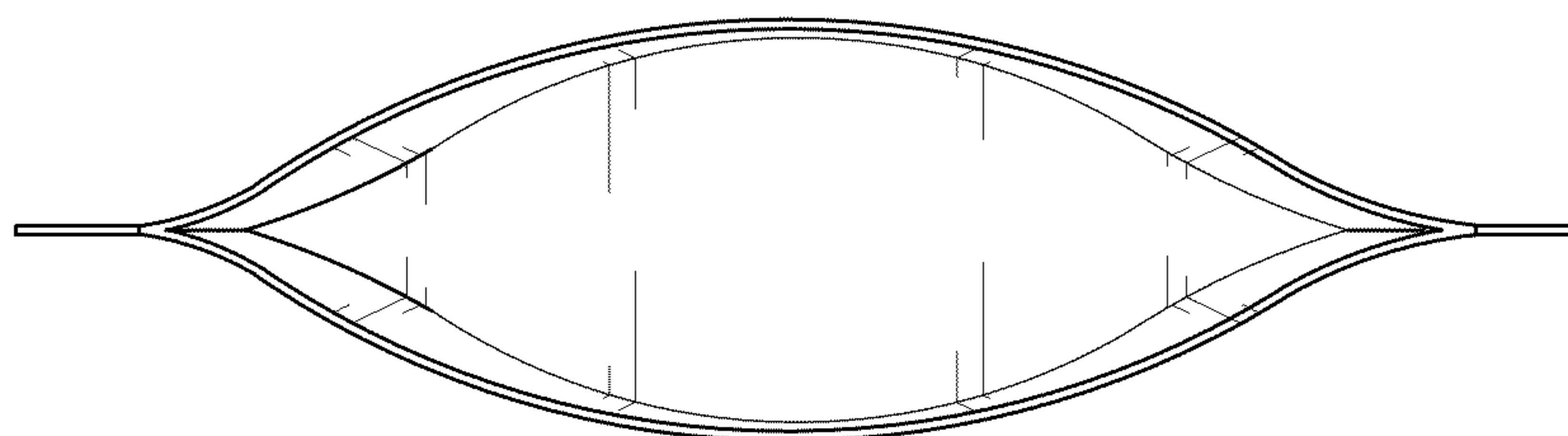


FIG. 8