



US00D687719S

(12) **United States Design Patent**  
**Last**

(10) **Patent No.:** **US D687,719 S**

(45) **Date of Patent:** **\*\* Aug. 13, 2013**

- (54) **POUCH WITH CAP**
- (71) Applicant: **Laurens Last**, Bosch en Duin (NL)
- (72) Inventor: **Laurens Last**, Bosch en Duin (NL)
- (73) Assignees: **MOM SAS**, Paris (FR); **IPN IP B.V.**, Houten (NL)

D604,636 S *	11/2009	McMorris	.....	D9/708
D609,112 S *	2/2010	Koyanagi	.....	D9/708
D638,720 S *	5/2011	Schwartz et al.	.....	D9/709
D644,123 S *	8/2011	Blau	.....	D9/709
D664,863 S *	8/2012	Kristoff	.....	D9/709
D666,922 S *	9/2012	Khan	.....	D9/709
D667,313 S *	9/2012	Hensen	.....	D9/708
D674,707 S *	1/2013	Berman	.....	D9/710
2010/0294773 A1	11/2010	Schwartz et al.		

- (\*\*) Term: **14 Years**
- (21) Appl. No.: **29/439,787**
- (22) Filed: **Dec. 14, 2012**

**FOREIGN PATENT DOCUMENTS**

DE	102005028992	6/2005
EM	001138432-0001	5/2009
EM	001138432-0002	5/2009
WO	2004108554	12/2004

\* cited by examiner

- (30) **Foreign Application Priority Data**
- Nov. 23, 2012 (EM) ..... 002141218-0001
- (51) **LOC (9) Cl.** ..... **09-05**
- (52) **U.S. Cl.**
- USPC ..... **D9/709**
- (58) **Field of Classification Search**
- USPC ..... D9/702-714, 720-722, 414, 434-435, D9/696, 716, 771, 447, 522, 571-575, 682, D9/738-747, 516-517, 529-530, 547-549, D9/569, 537-538, 544, 503-505, 545; 383/6, 383/9, 22, 96, 61.1, 80-81, 104, 901, 63, 383/203, 107, 119, 120, 123; D24/118, 207; 222/107, 92, 206, 495.03; 604/408, 410, 604/403; 220/669, 675; D3/202; 215/381-385, 12.1, 400
- See application file for complete search history.

*Primary Examiner* — Caron D Veynar  
*Assistant Examiner* — Abraham Bahta

(74) *Attorney, Agent, or Firm* — Ryan A. Schneider, Esq.; Troutman Sanders LLP

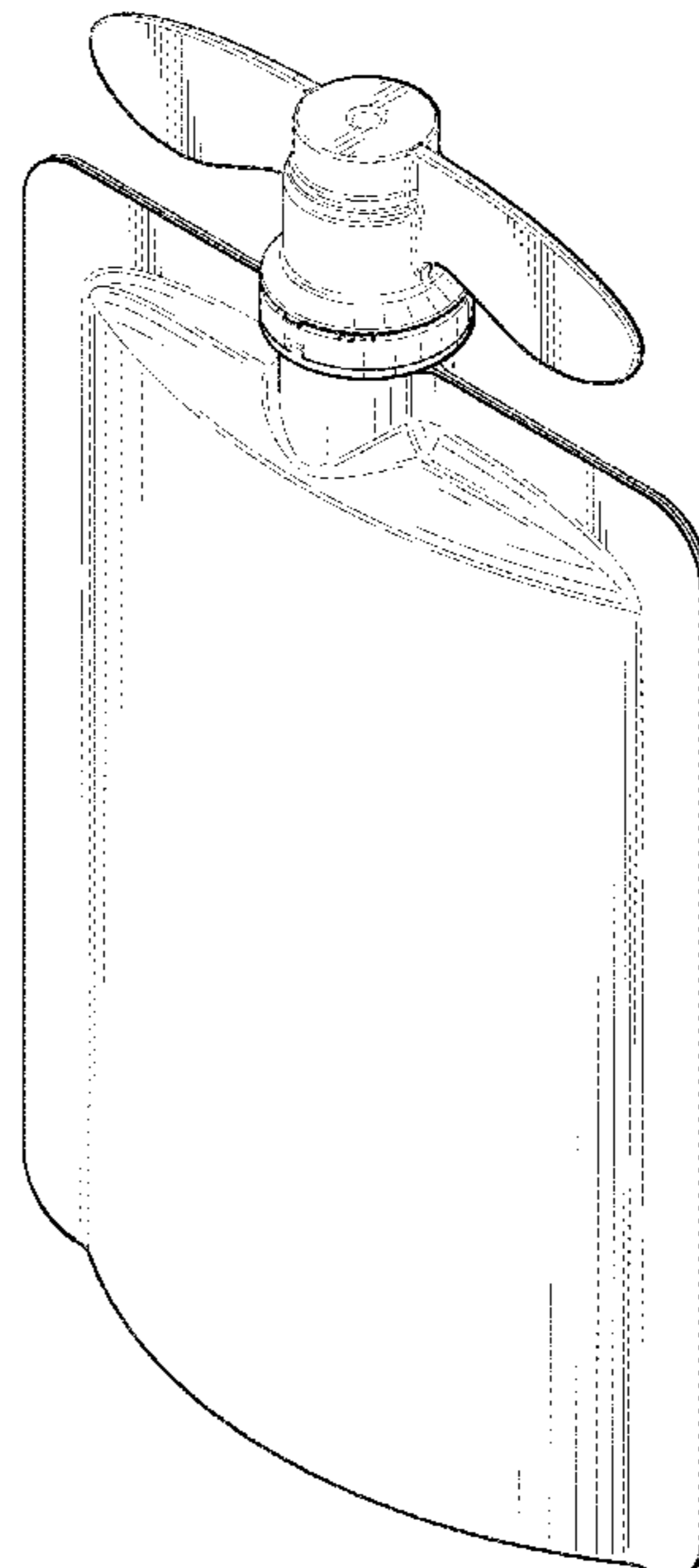
- (56) **References Cited**
- U.S. PATENT DOCUMENTS
- D478,504 S \* 8/2003 Crozet et al. .... D9/708
- D563,797 S \* 3/2008 McMorris ..... D9/708

(57) **CLAIM**  
The ornamental design for a pouch with cap, as shown and described.

**DESCRIPTION**

FIG. 1 is a top perspective view of a pouch with cap of the present invention;  
FIG. 2 is a front view of the container of FIG. 1, the back being a mirror image thereof;  
FIG. 3 is a side view of the container of FIG. 1, the other side being a mirror image thereof;  
FIG. 4 is a top view of the container of FIG. 1; and,  
FIG. 5 is a bottom view of the container of FIG. 1.

**1 Claim, 4 Drawing Sheets**



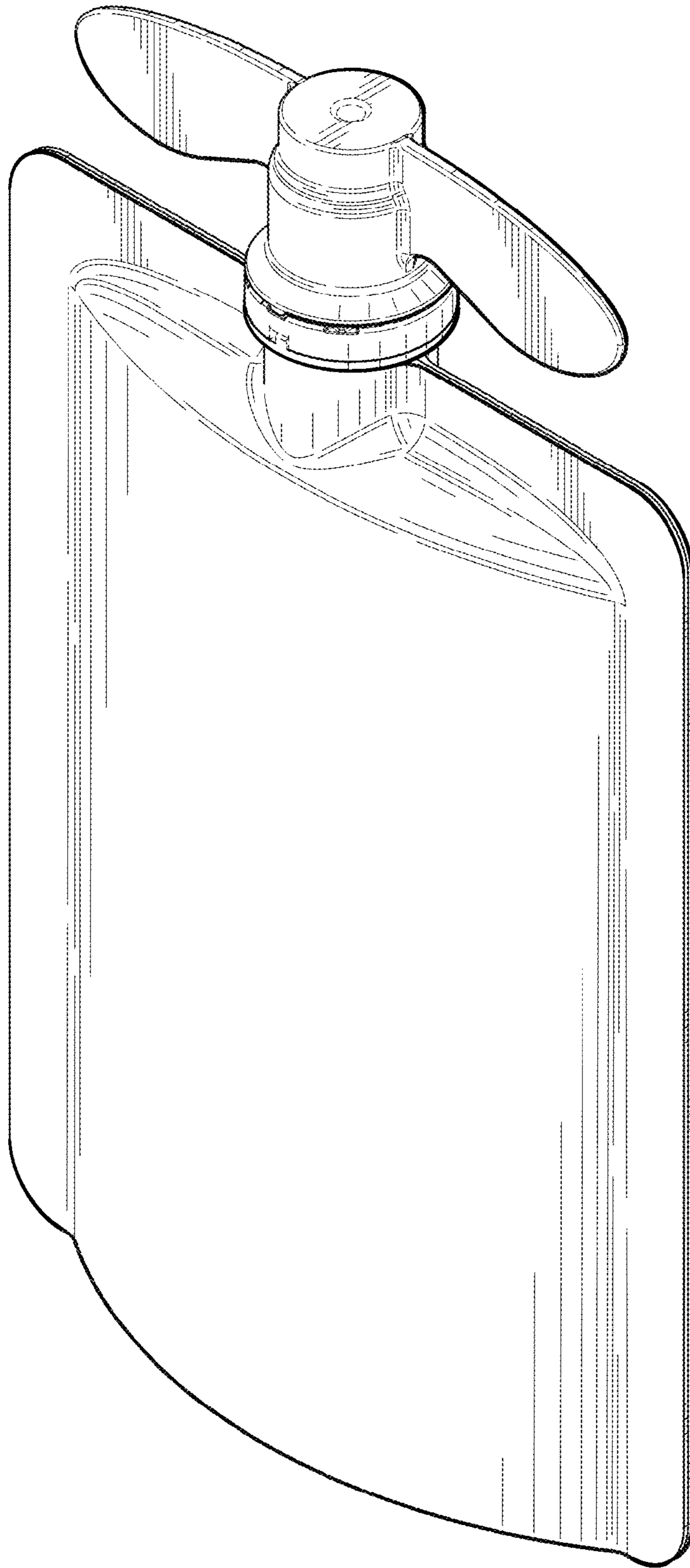


FIG. 1

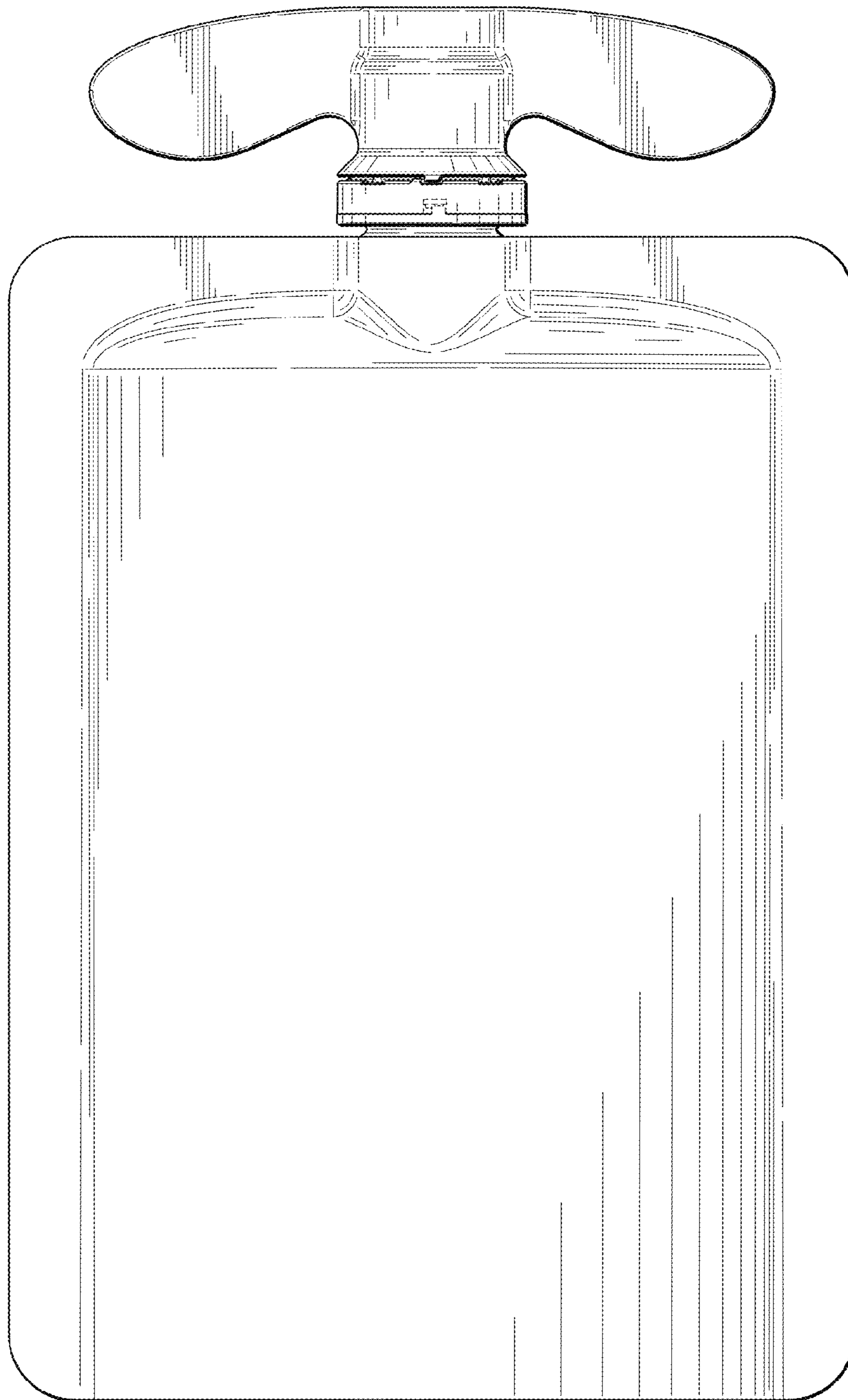


FIG. 2

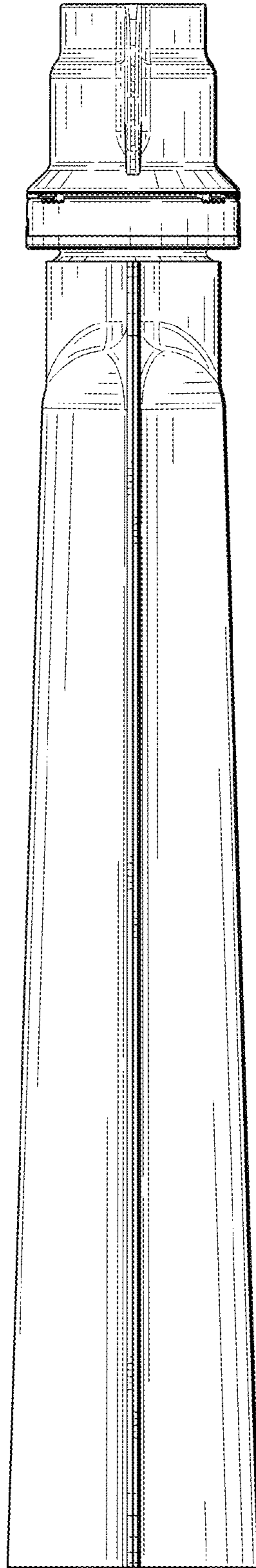


FIG. 3

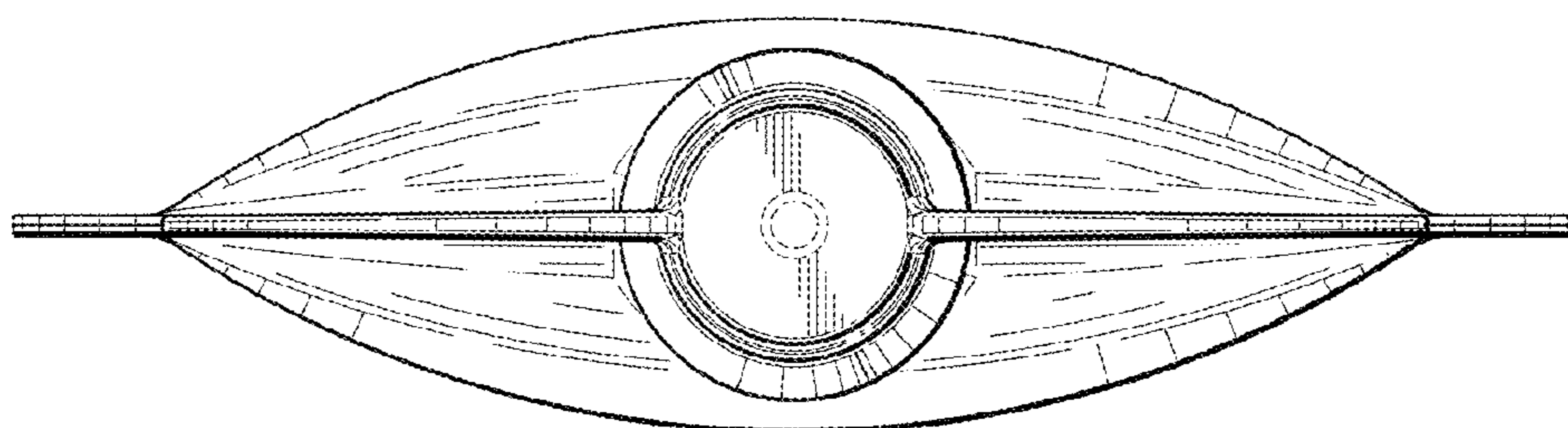


FIG. 4

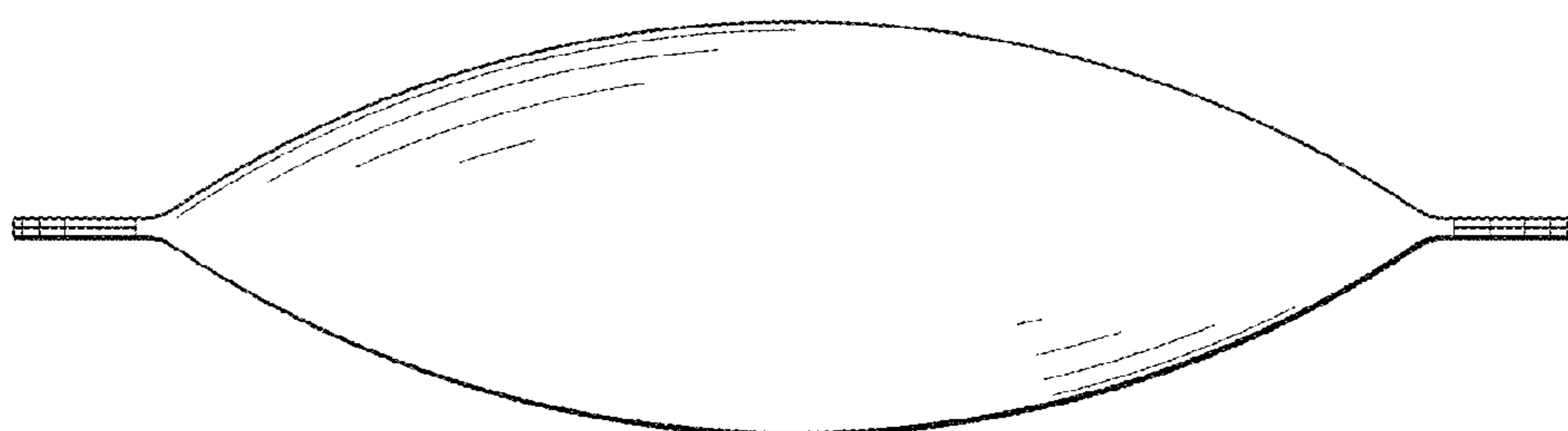


FIG. 5