



US00D687715S

(12) **United States Design Patent**  
**Schill**

(10) **Patent No.:** **US D687,715 S**  
(45) **Date of Patent:** **\*\* Aug. 13, 2013**

(54) **PACKAGING**

(76) Inventor: **Andreas Schill**, Borkum (DE)

(\*\*) Term: **14 Years**

(21) Appl. No.: **29/414,148**

(22) Filed: **Feb. 24, 2012**

(30) **Foreign Application Priority Data**

Aug. 25, 2011 (DE) ..... 40 2011 004 125

(51) **LOC (9) Cl.** ..... **09-01**

(52) **U.S. Cl.**  
USPC ..... **D9/607; D9/756; D9/414**

(58) **Field of Classification Search**  
USPC ..... D9/600, 601, 607, 756, 759-761,  
D9/414, 424-429; 206/494, 457, 527;  
215/400; 220/890; 229/116.1  
See application file for complete search history.

(56) **References Cited**

**U.S. PATENT DOCUMENTS**

D114,246 S *	4/1939	Welky .....	D9/607
D227,231 S *	6/1973	Stamper .....	D9/607
D367,422 S *	2/1996	Chuang .....	D9/607
D459,986 S *	7/2002	Yourist .....	D9/607
D542,649 S *	5/2007	Sagel et al. ....	D9/759
D560,506 S *	1/2008	Lepoitevin .....	D9/607
D670,567 S *	11/2012	Molina .....	D9/607

\* cited by examiner

*Primary Examiner* — Sandra Morris

(74) *Attorney, Agent, or Firm* — Muncy, Geissler, Olds & Lowe, PLLC

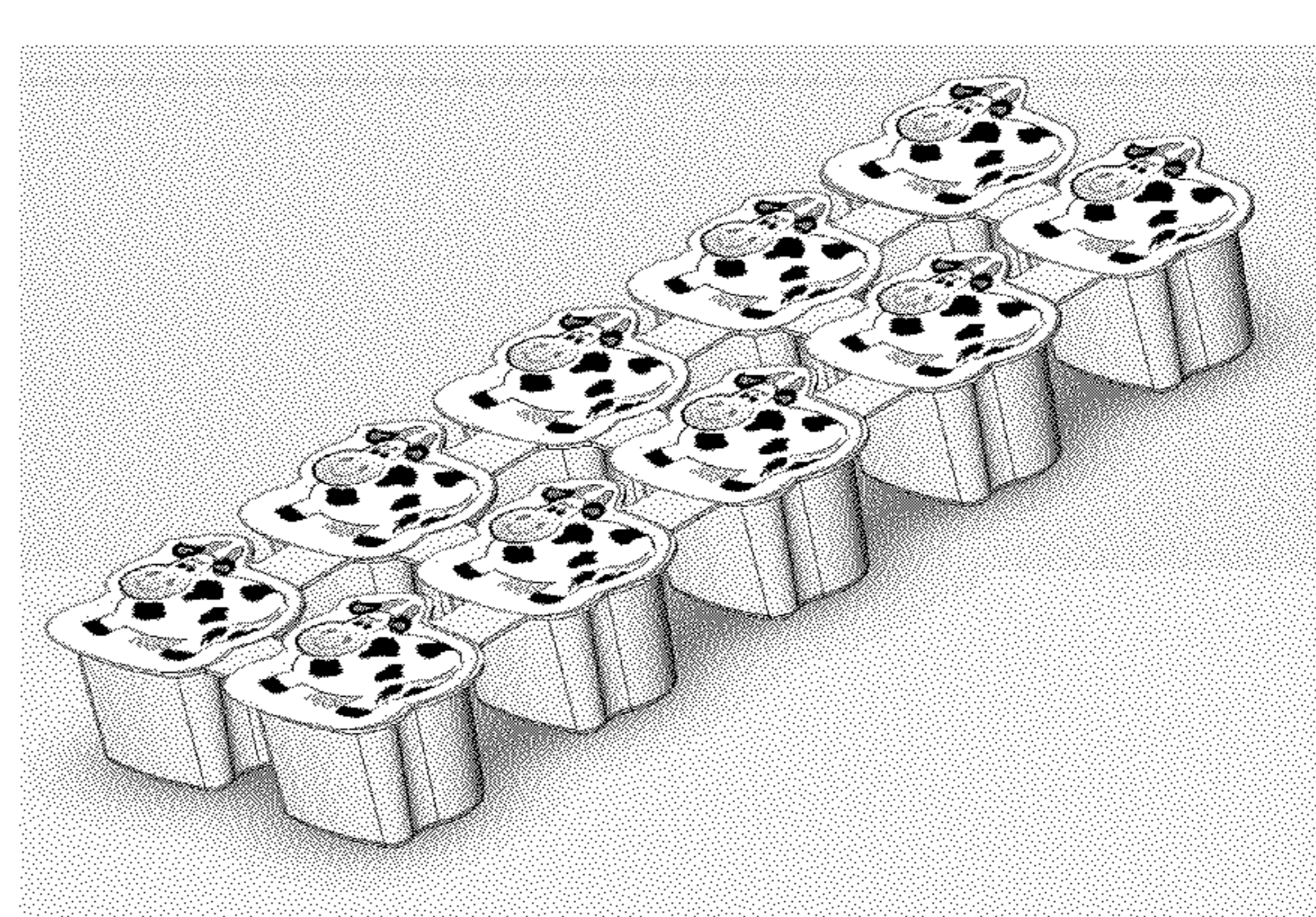
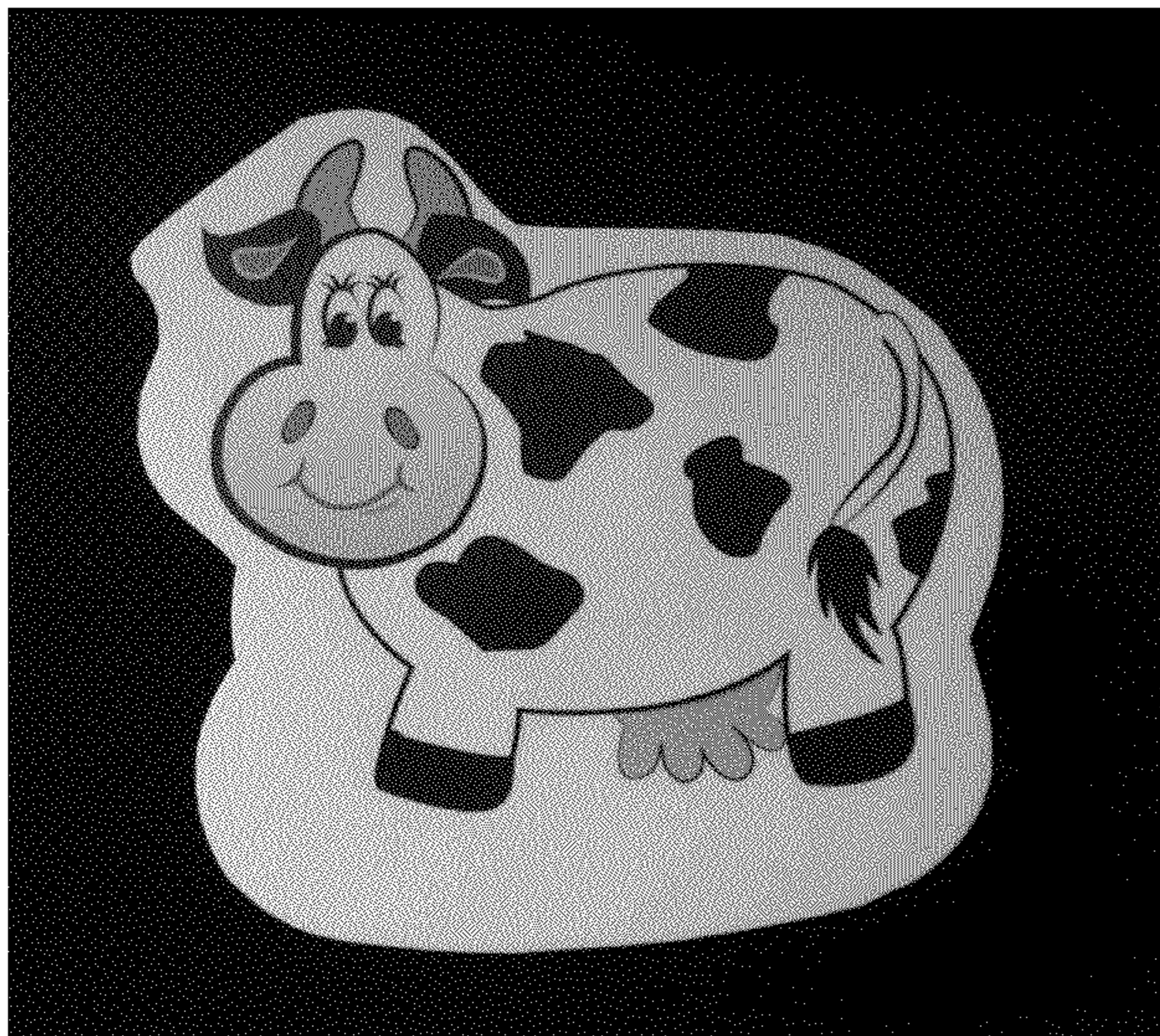
(57) **CLAIM**

The ornamental design for a packaging, as shown and described.

**DESCRIPTION**

FIG. 1 is a top plan view of a packaging showing my new design;  
 FIG. 2 is a top left perspective view of the packaging;  
 FIG. 3 is a right side view of the packaging;  
 FIG. 4 is a left side view of the packaging;  
 FIG. 5 is a rear elevational view of the packaging;  
 FIG. 6 is a front elevational view of the packaging;  
 FIG. 7 is a bottom plan view of the packaging;  
 FIG. 8 is a top plan view of interconnected units of a packaging showing my new design;  
 FIG. 9 is a top left perspective view of interconnected units of the packaging;  
 FIG. 10 is a top right perspective view of interconnected units of the packaging;  
 FIG. 11 is a bottom rear perspective view of interconnected units of the packaging;  
 FIG. 12 is a right side view of interconnected units of the packaging;  
 FIG. 13 is a left side view of interconnected units of the packaging; and,  
 FIG. 14 is a bottom plan view of interconnected units of the packaging.

**1 Claim, 14 Drawing Sheets**





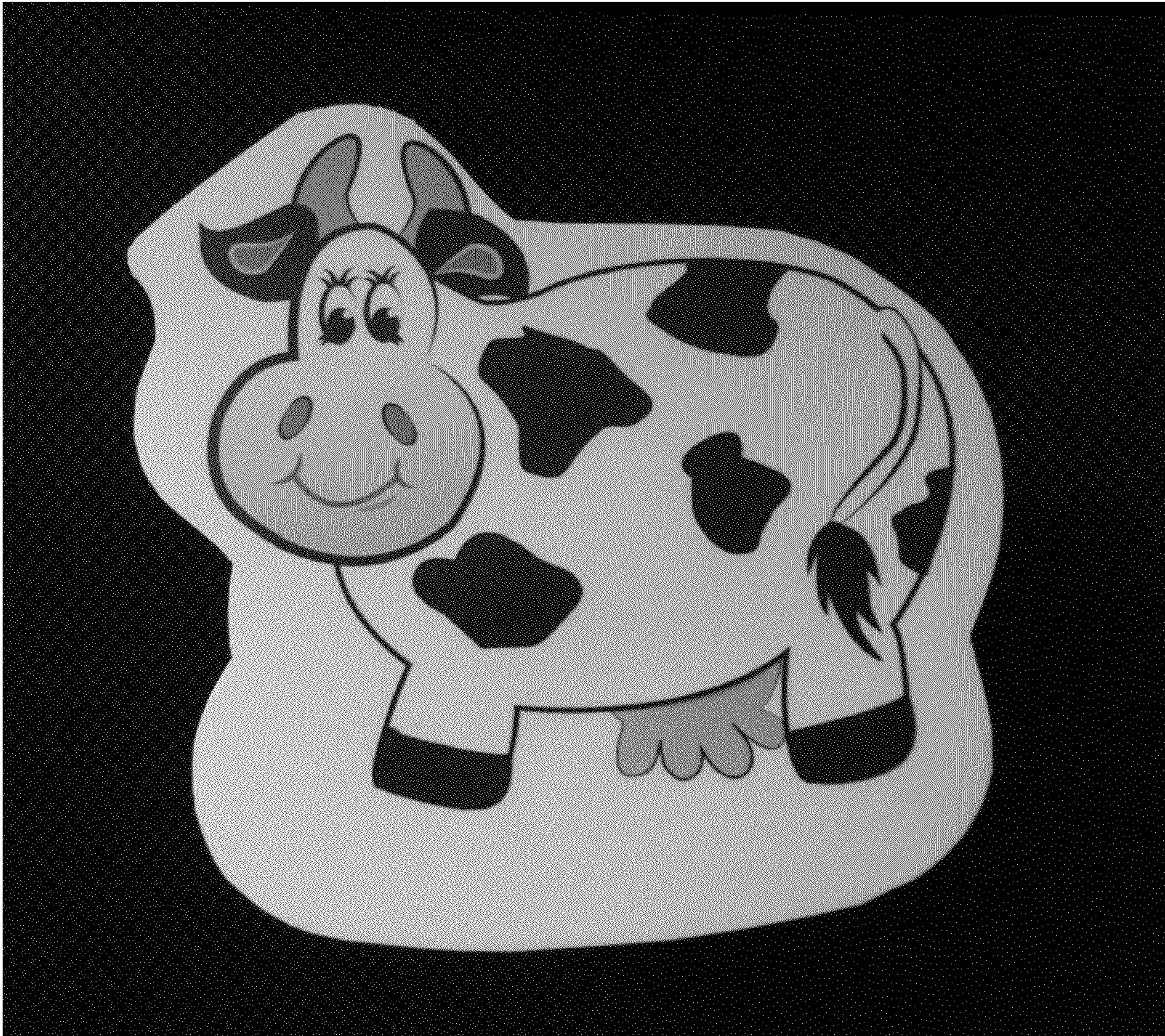


FIG. 1





FIG. 2



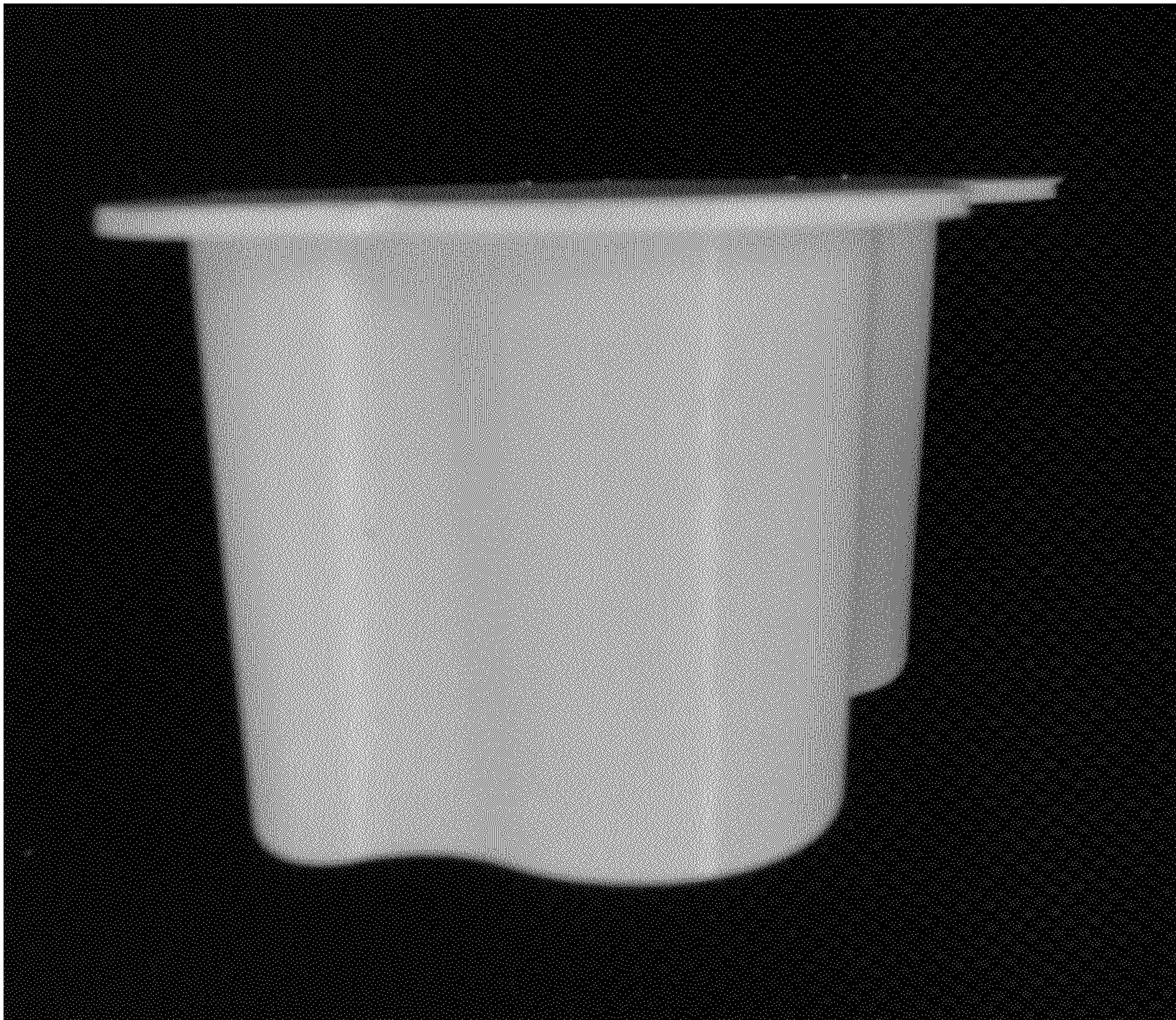


FIG. 3



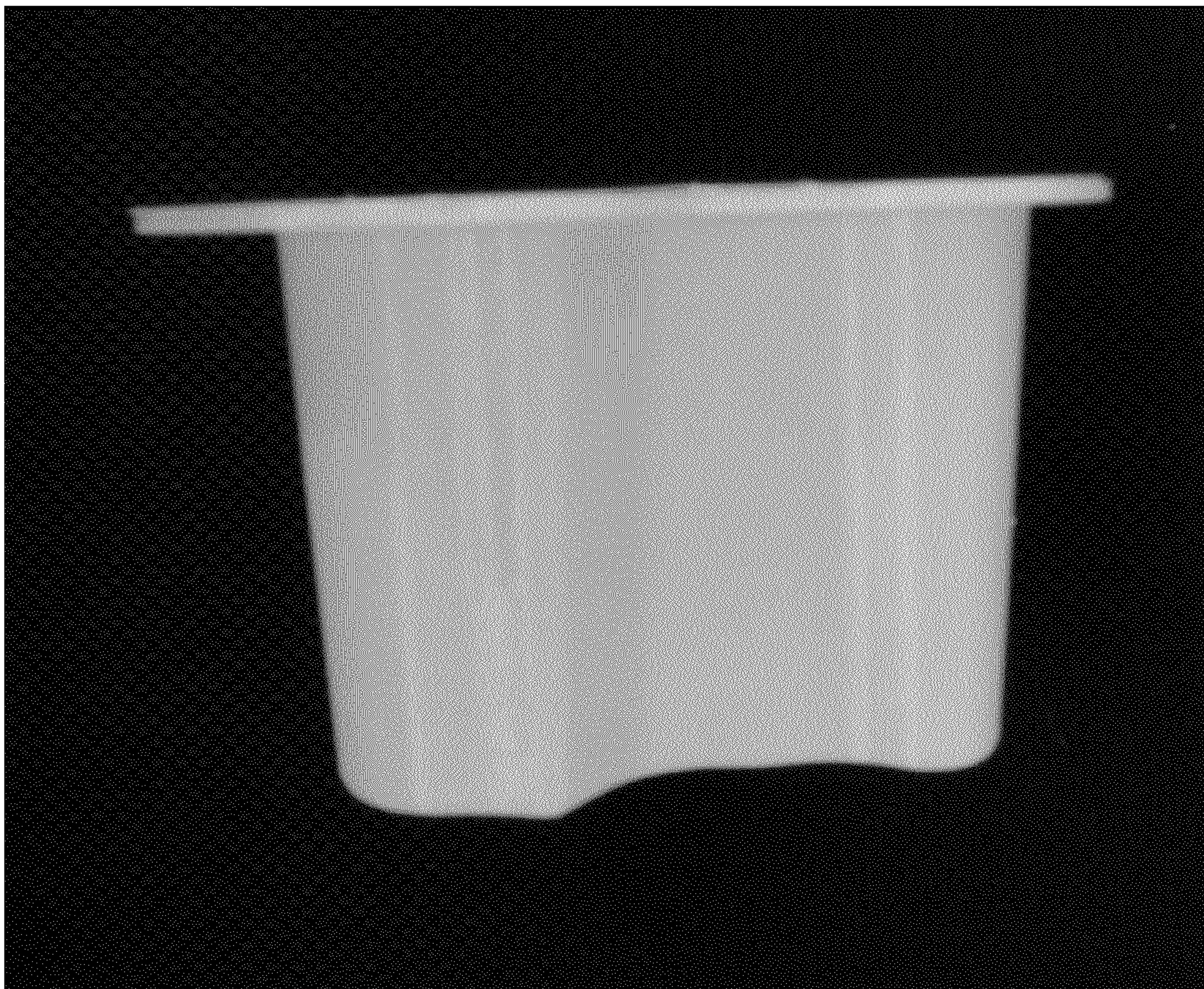


FIG. 4





FIG. 5





FIG. 6





FIG. 7



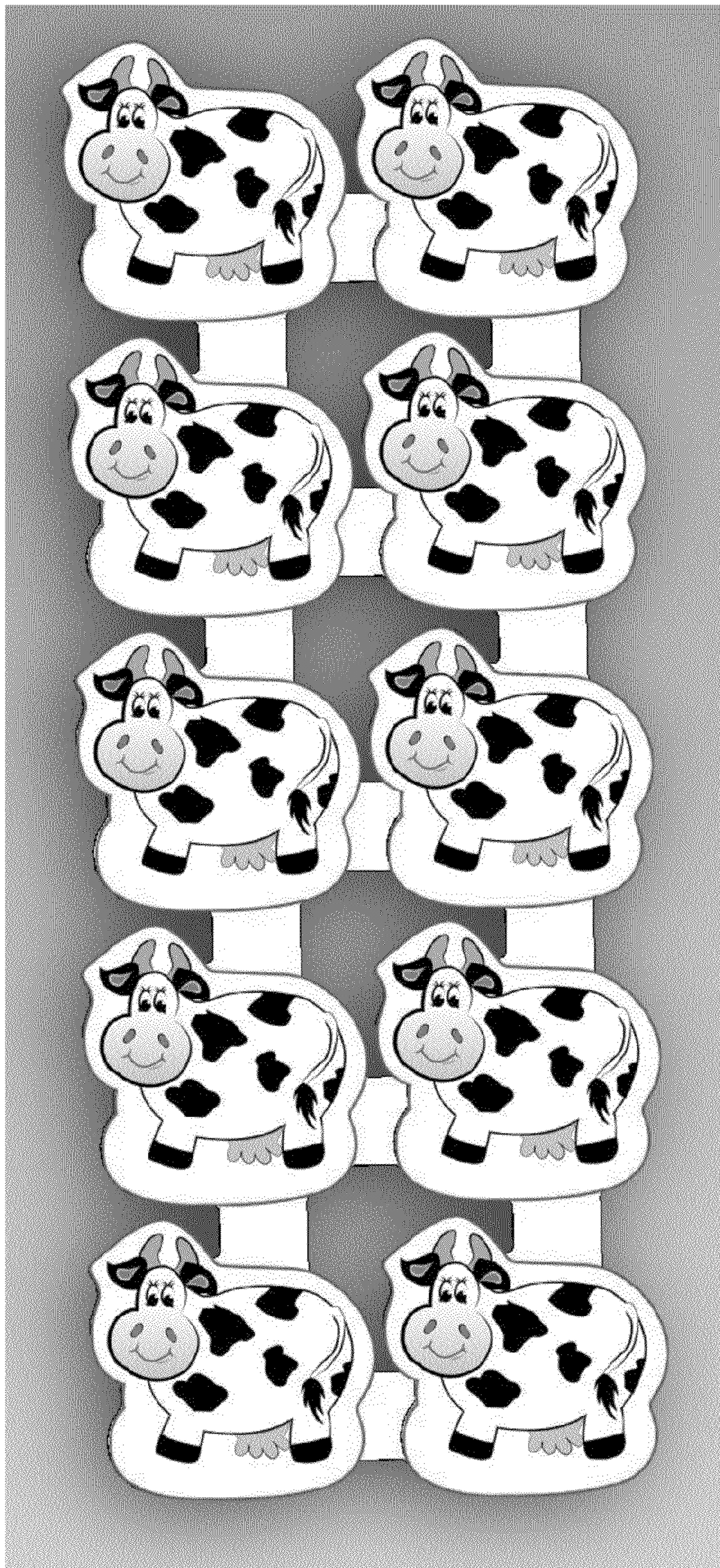


FIG. 8



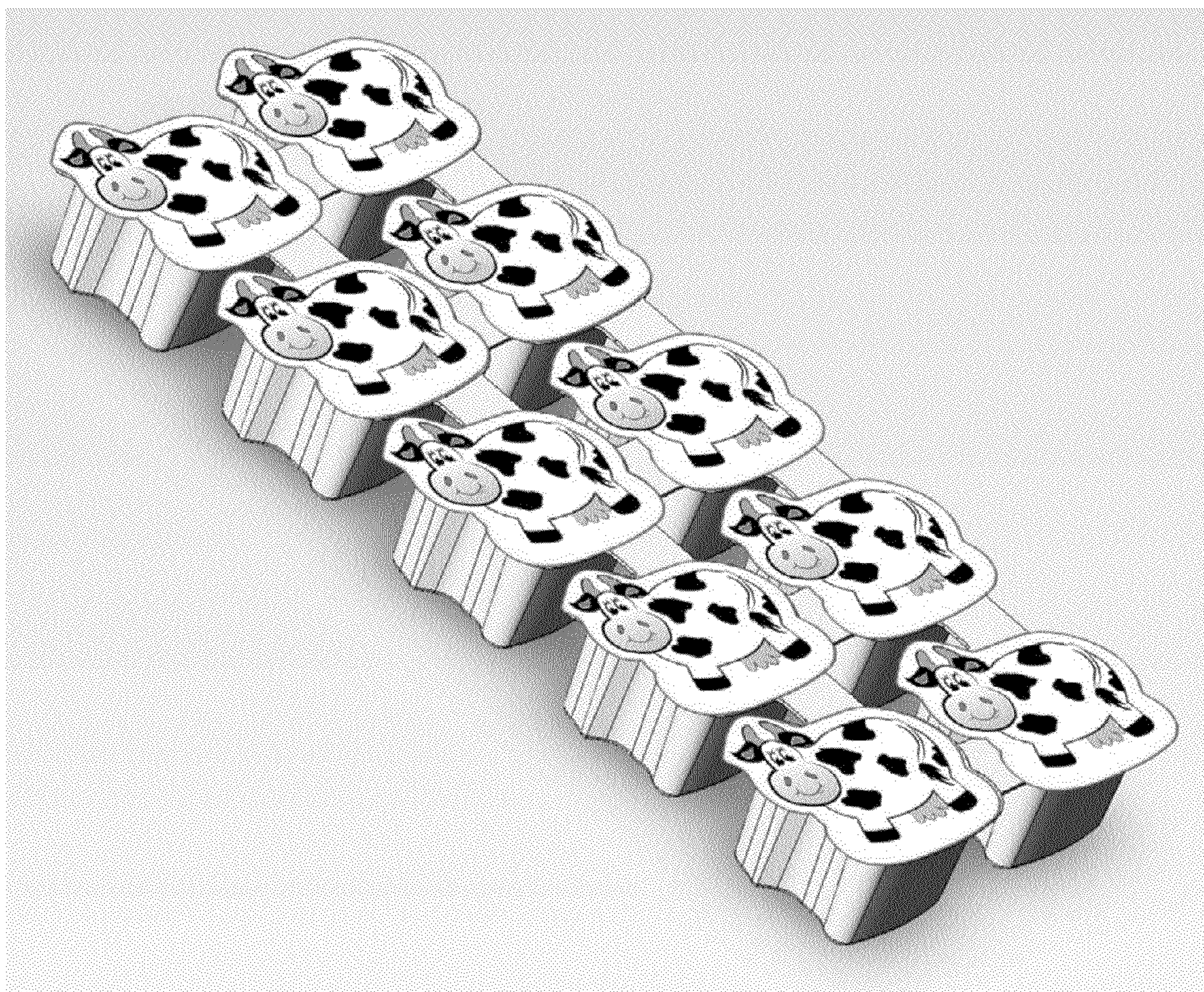


FIG. 9



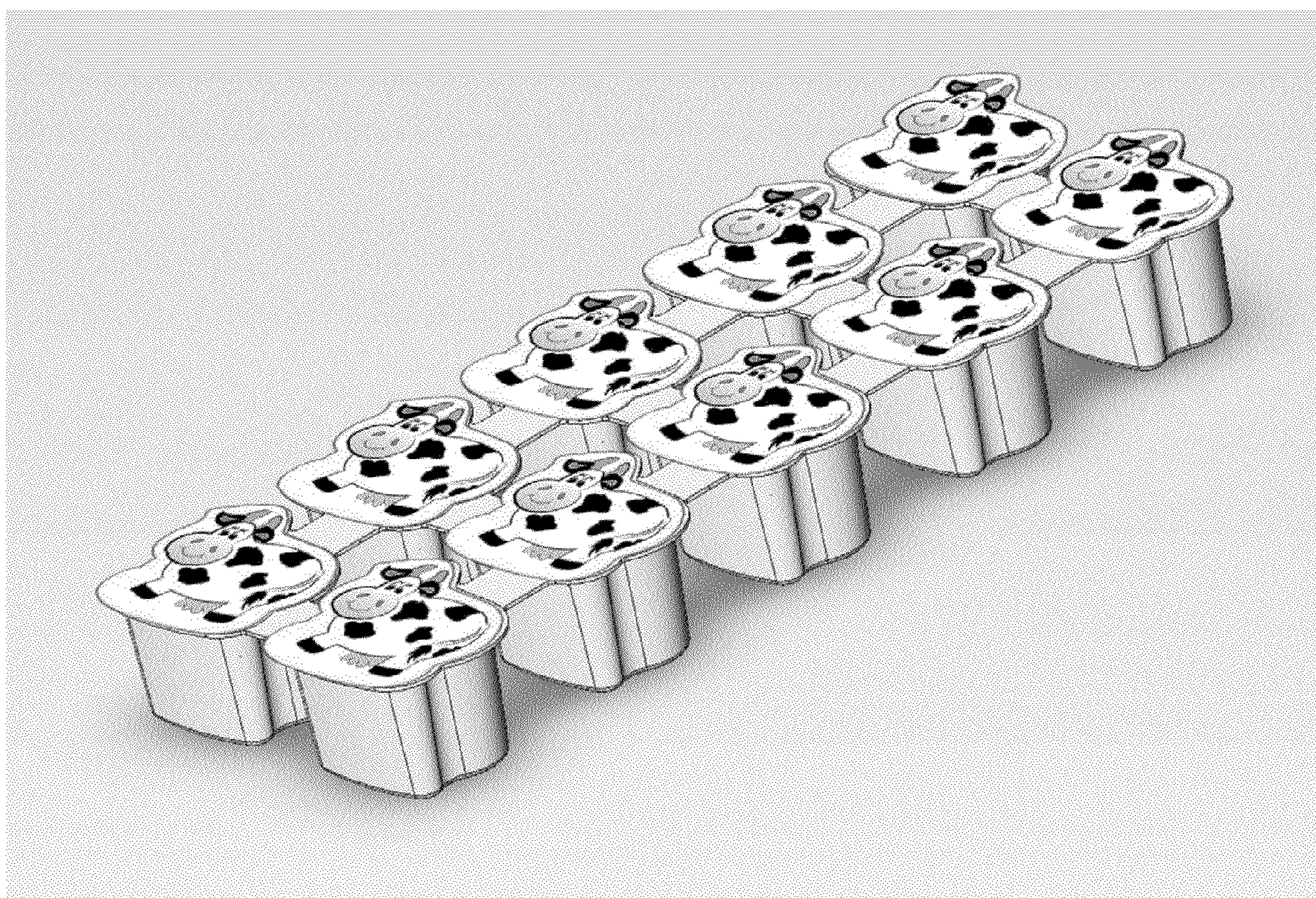


FIG. 10



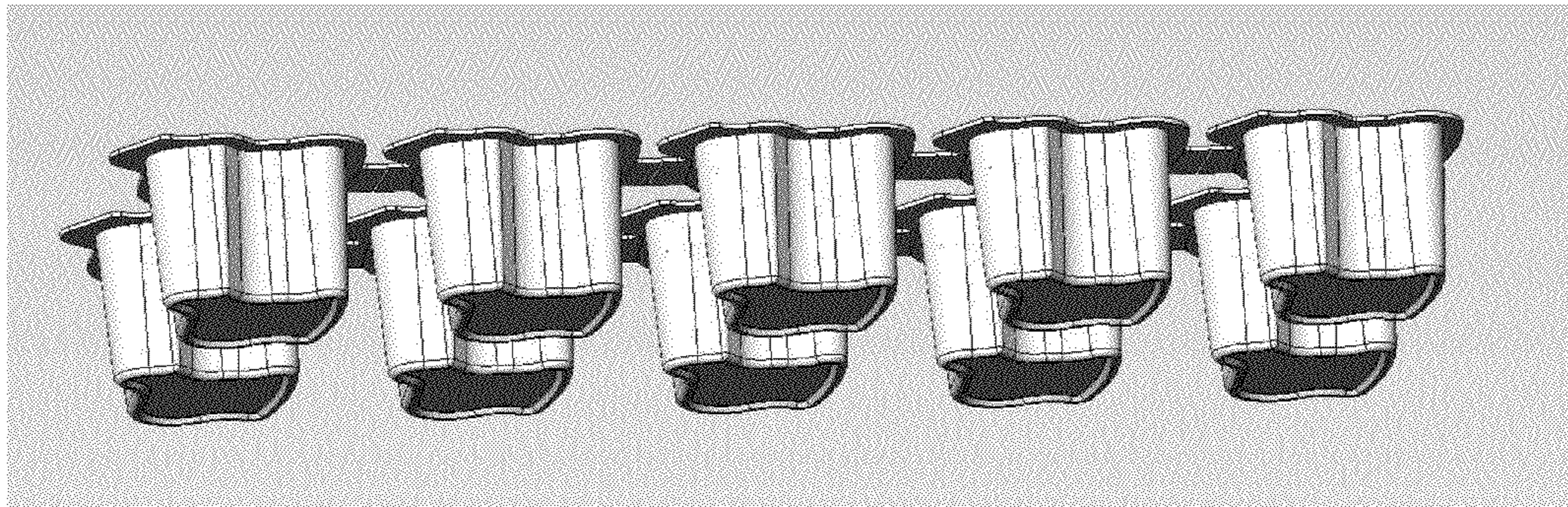


FIG. 11



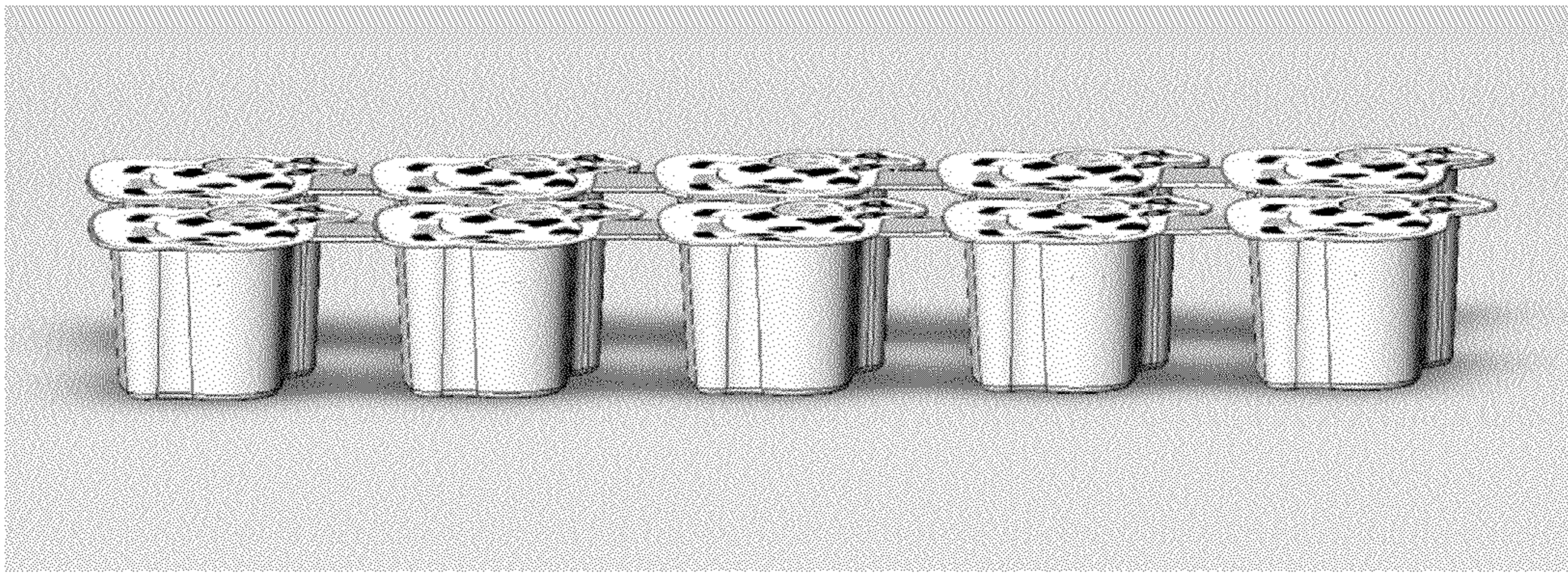


FIG. 12



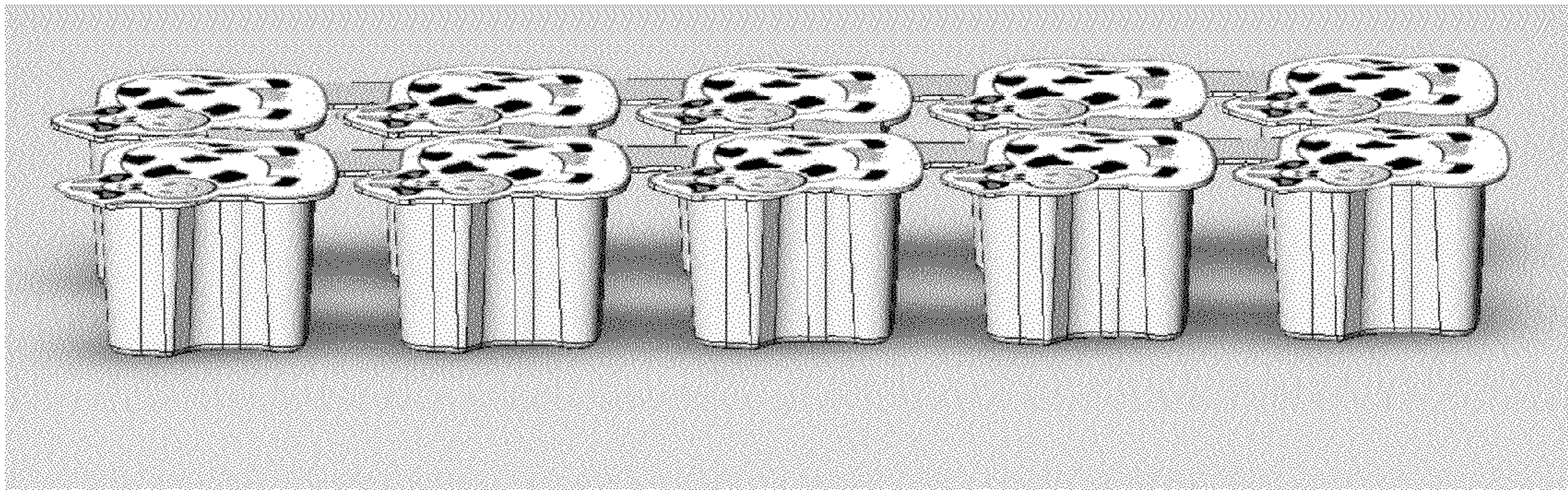


FIG. 13



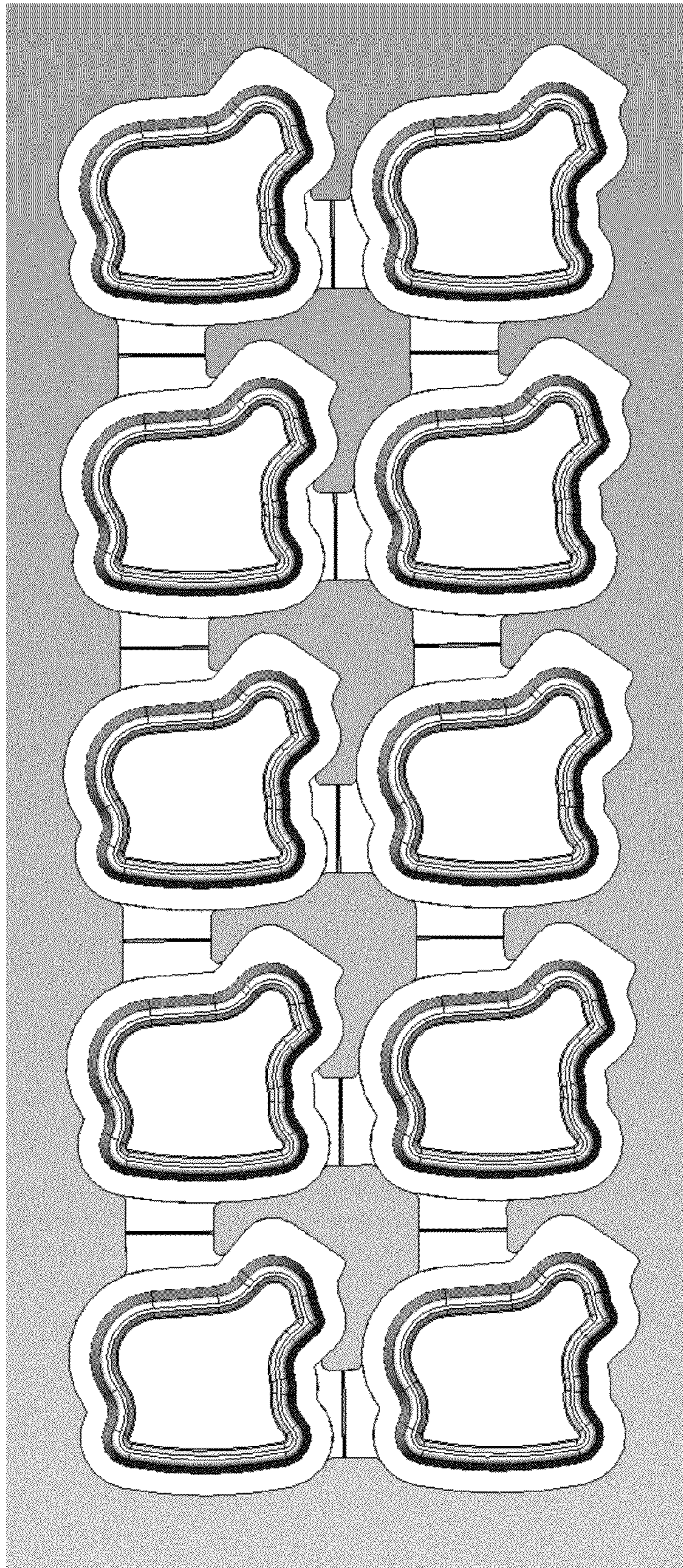


FIG. 14