



US00D687712S

(12) **United States Design Patent**  
**Juna et al.**

(10) **Patent No.:** **US D687,712 S**

(45) **Date of Patent:** **\*\* Aug. 13, 2013**

(54) **CONTAINER**

(71) Applicant: **TricorBraun Inc.**, St. Louis, MO (US)

(72) Inventors: **Samantha Juna**, Carol Stream, IL (US);  
**John Morin**, Old Saybrook, CT (US)

(73) Assignee: **TricorBraun, Inc.**, St. Louis, MO (US)

(\*\*) Term: **14 Years**

(21) Appl. No.: **29/433,164**

(22) Filed: **Sep. 26, 2012**

(51) **LOC (9) Cl.** ..... **09-01**

(52) **U.S. Cl.**  
USPC ..... **D9/528**

(58) **Field of Classification Search**

USPC ..... D9/516, 523, 528, 531, 541, 543,  
D9/559, 560, 572, 575; 215/381-385;  
220/660, 669, 675

See application file for complete search history.

(56) **References Cited**

**U.S. PATENT DOCUMENTS**

D202,660	S	*	10/1965	Dike	.....	D9/520
D206,961	S	*	2/1967	Kelly	.....	D9/528
D207,128	S	*	3/1967	Kelly	.....	D9/528
D207,243	S	*	3/1967	Kelly	.....	D9/528
4,805,793	A	*	2/1989	Brandt et al.	.....	215/10
5,114,028	A	*	5/1992	Ring	.....	215/42
D360,135	S	*	7/1995	Balz	.....	D9/520

D378,494	S	*	3/1997	Miller	.....	D9/528
D415,033	S	*	10/1999	Forecast et al.	.....	D9/528
D428,341	S	*	7/2000	Boutin	.....	D9/520
D610,462	S	*	2/2010	Weber et al.	.....	D9/528
D624,261	S	*	9/2010	Pho	.....	D32/45
D658,062	S	*	4/2012	Kim et al.	.....	D9/528
D662,825	S	*	7/2012	Murphy	.....	D9/528
2007/0261983	A1	*	11/2007	Flanagan-Kent et al.	.....	206/510

\* cited by examiner

*Primary Examiner* — Keli L Hill

(74) *Attorney, Agent, or Firm* — H. Frederick Rusche;  
Husch Blackwell LLP

(57) **CLAIM**

We claim the ornamental design for a container, as shown and described.

**DESCRIPTION**

FIG. 1 is a top perspective view of a bottle showing the new design;

FIG. 2 is a bottom perspective thereof;

FIG. 3 is a front view thereof, with the rear view of the design being a mirror image of the front;

FIG. 4 is a right side view thereof;

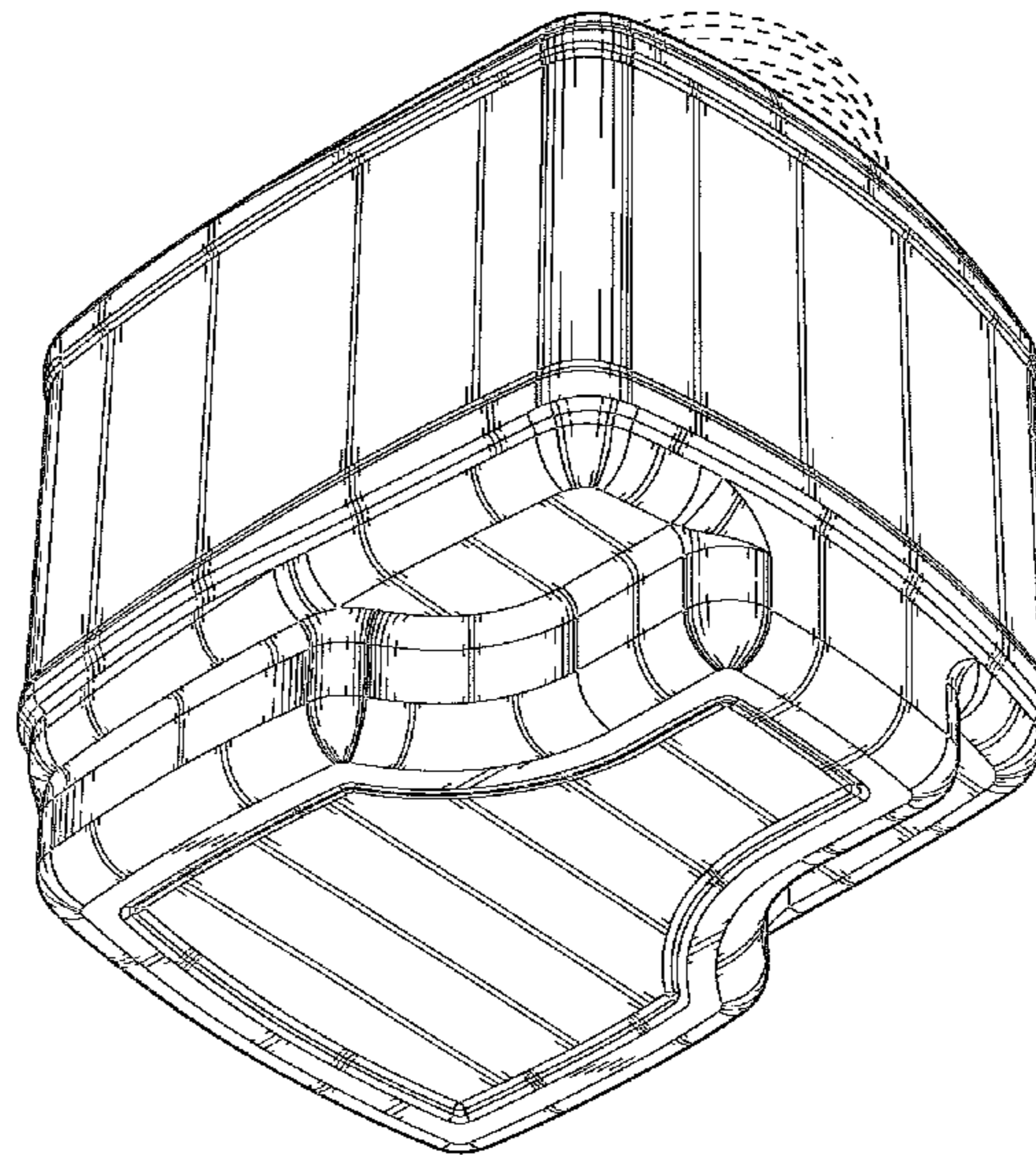
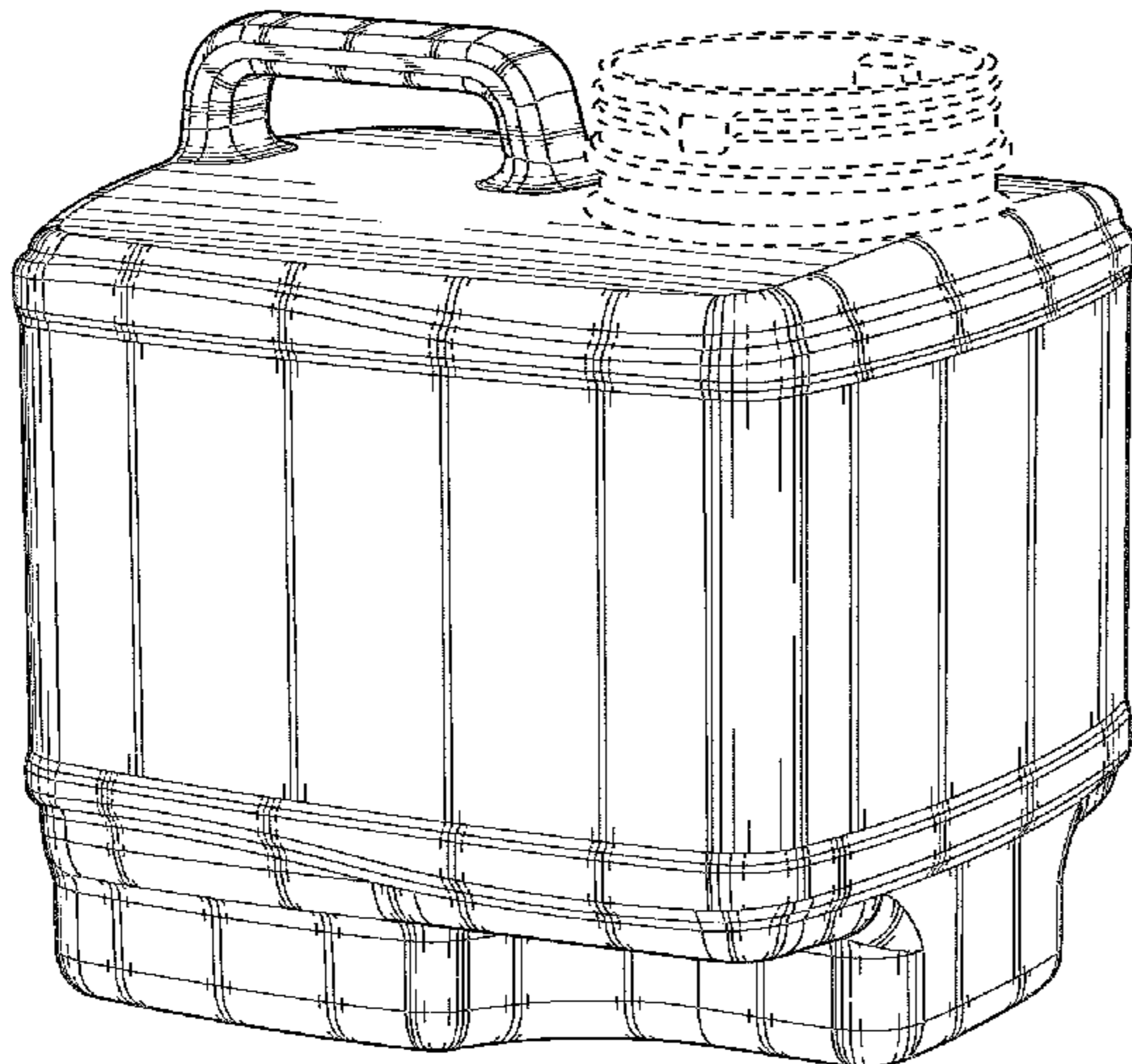
FIG. 5 is a left side view thereof;

FIG. 6 is a top view thereof; and,

FIG. 7 is a bottom view thereof.

The broken lines shown are included for the purpose of illustrating the unclaimed portions of the container and form no part of the claim.

**1 Claim, 5 Drawing Sheets**



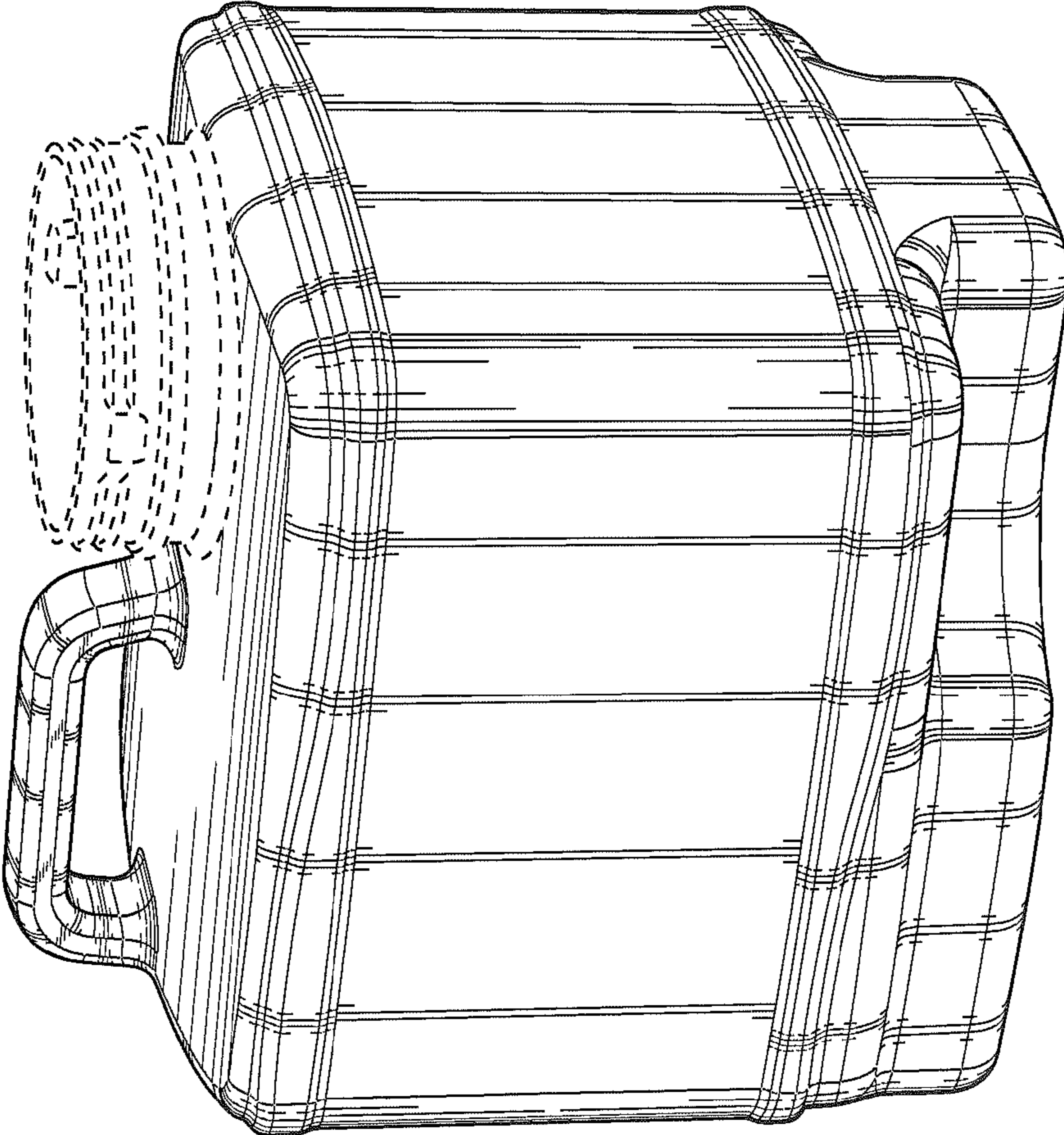


FIG. 1

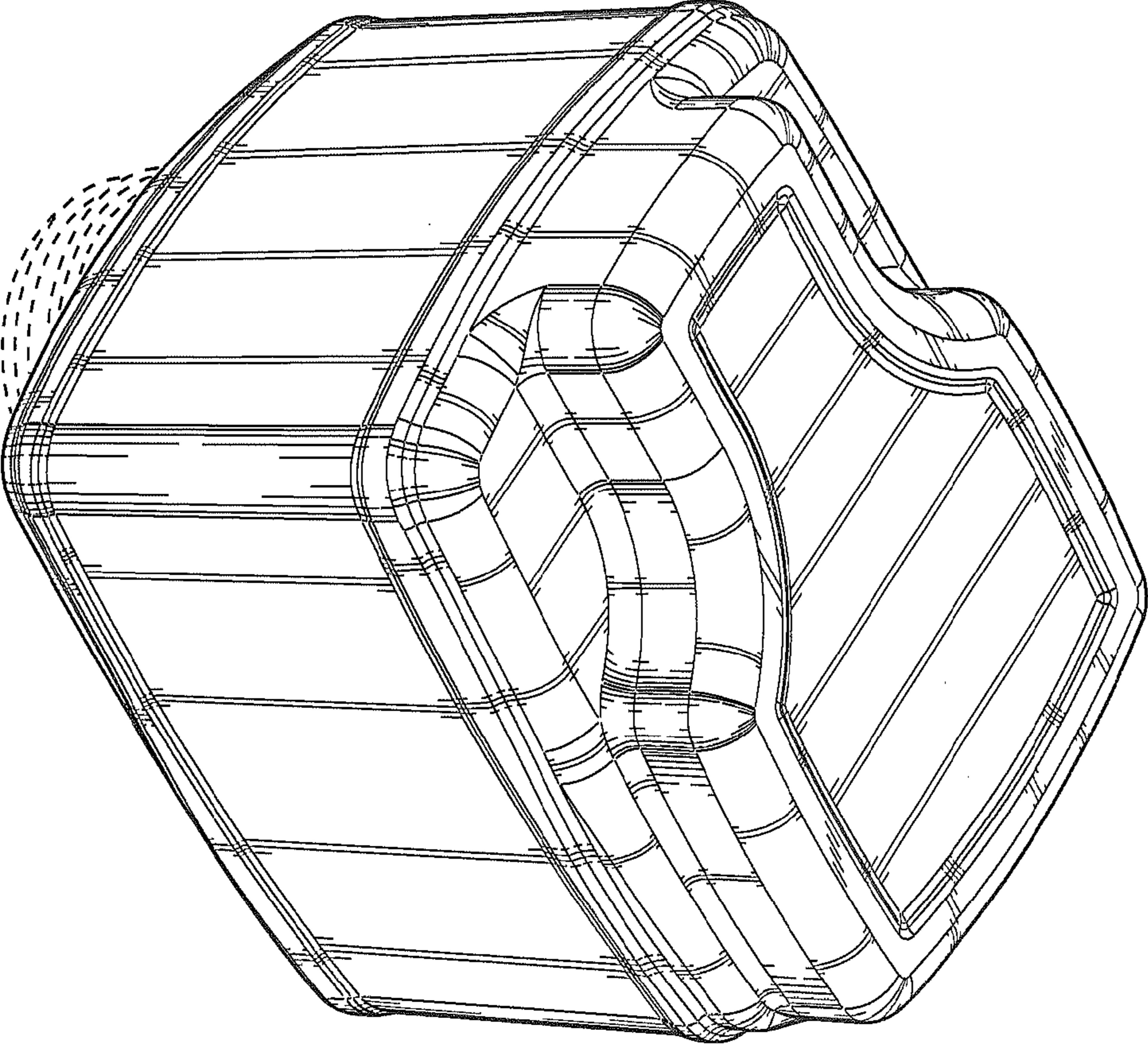


FIG. 2

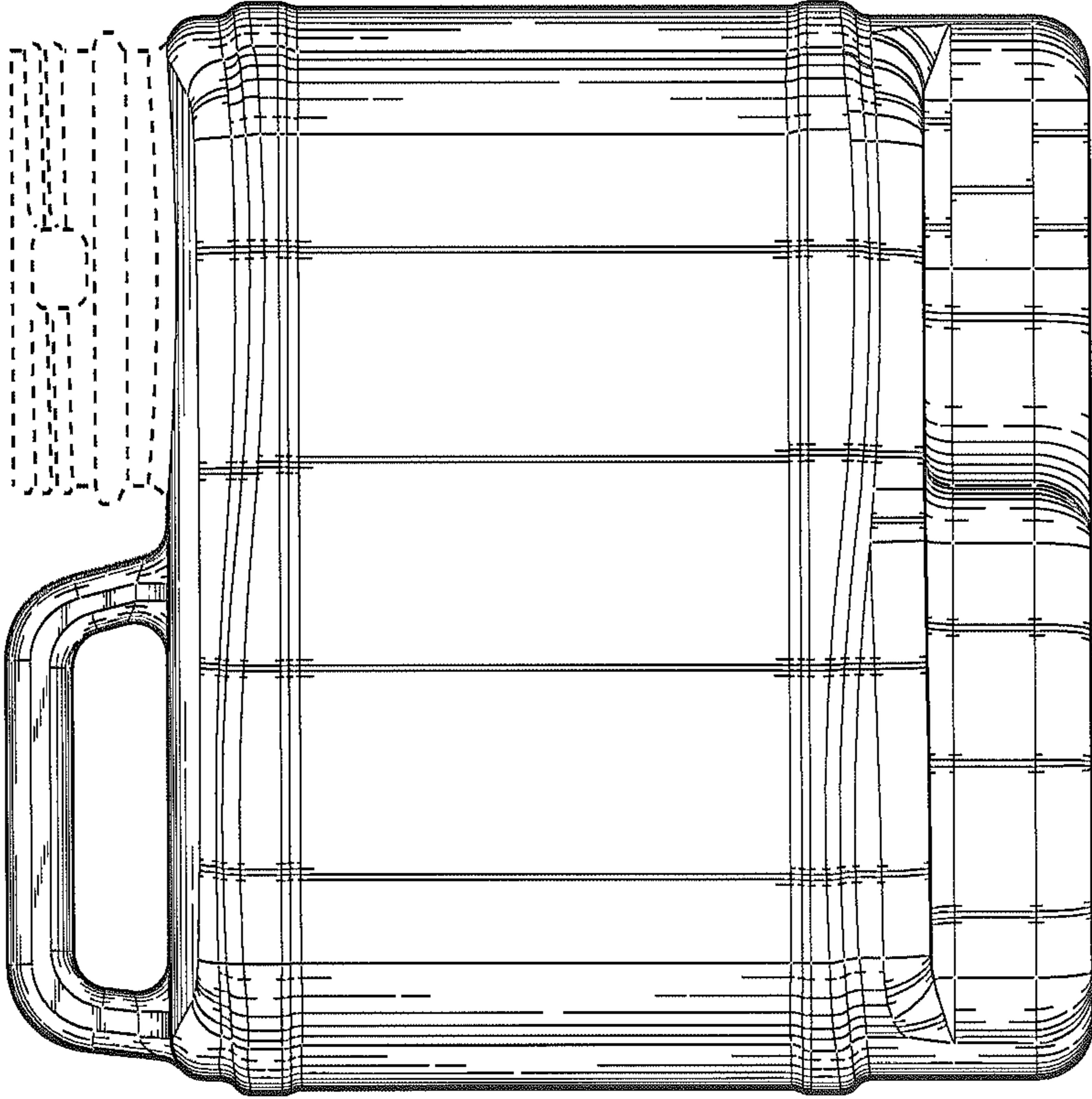


FIG. 3

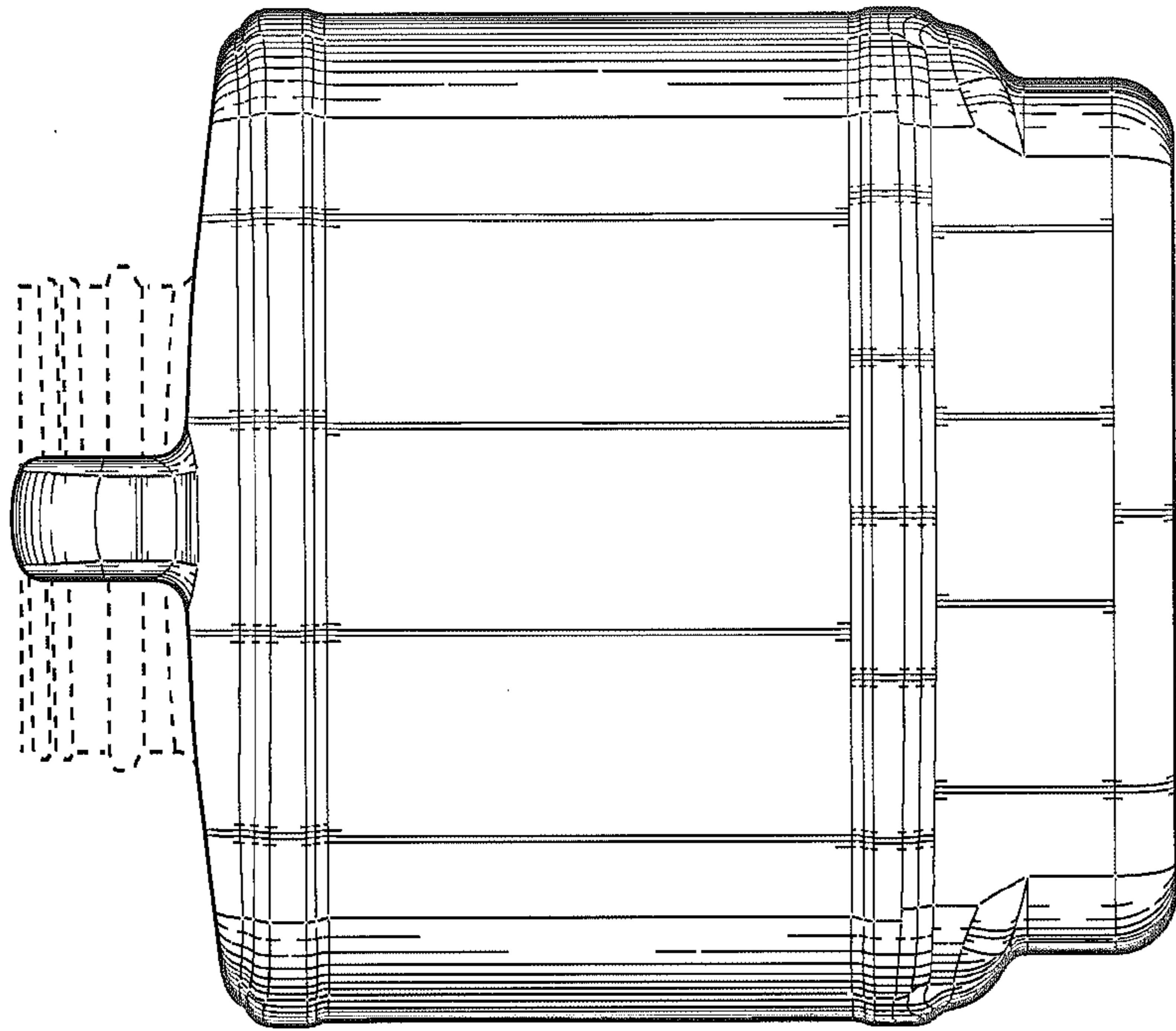


FIG. 5

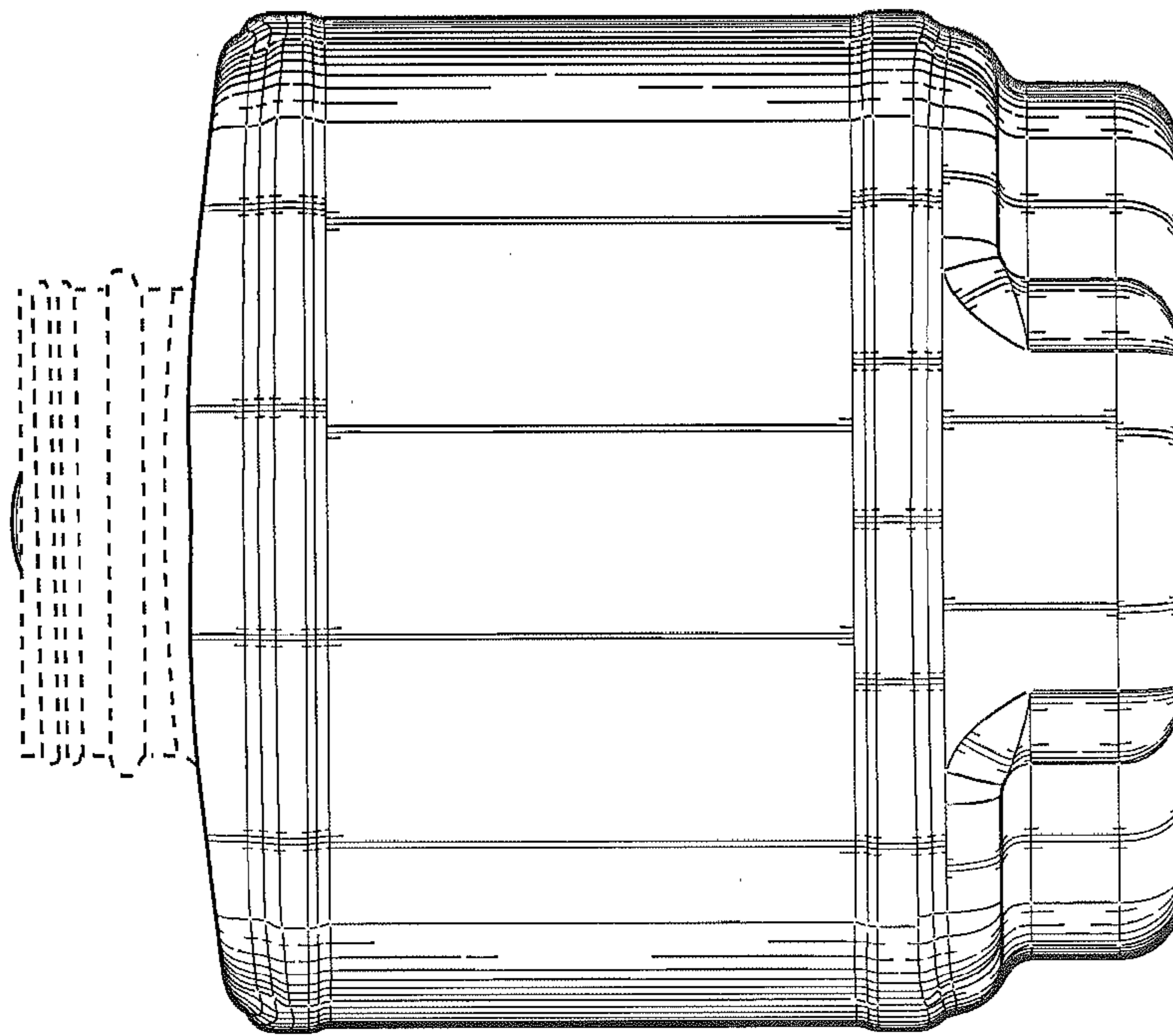


FIG. 4

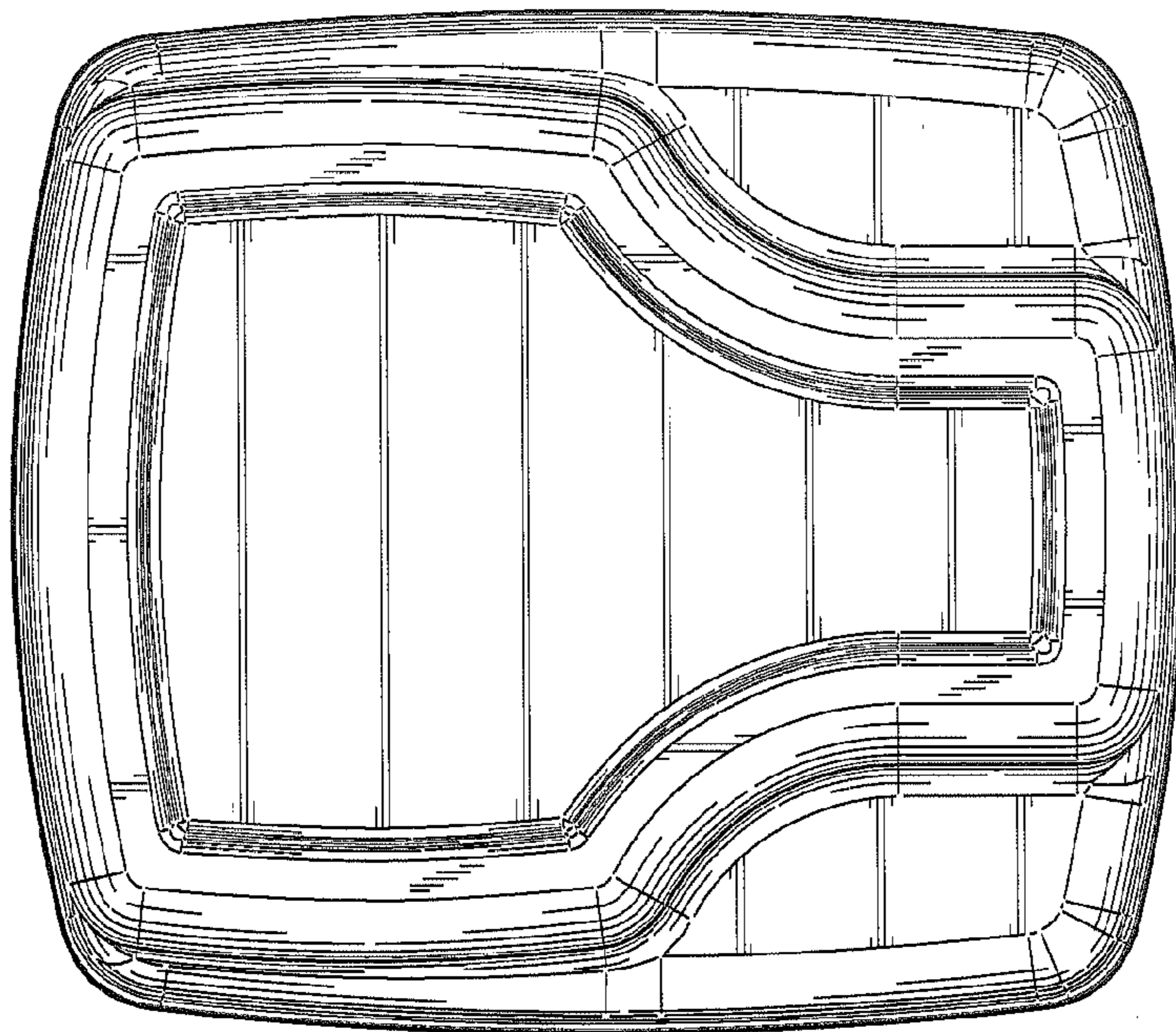


FIG. 7

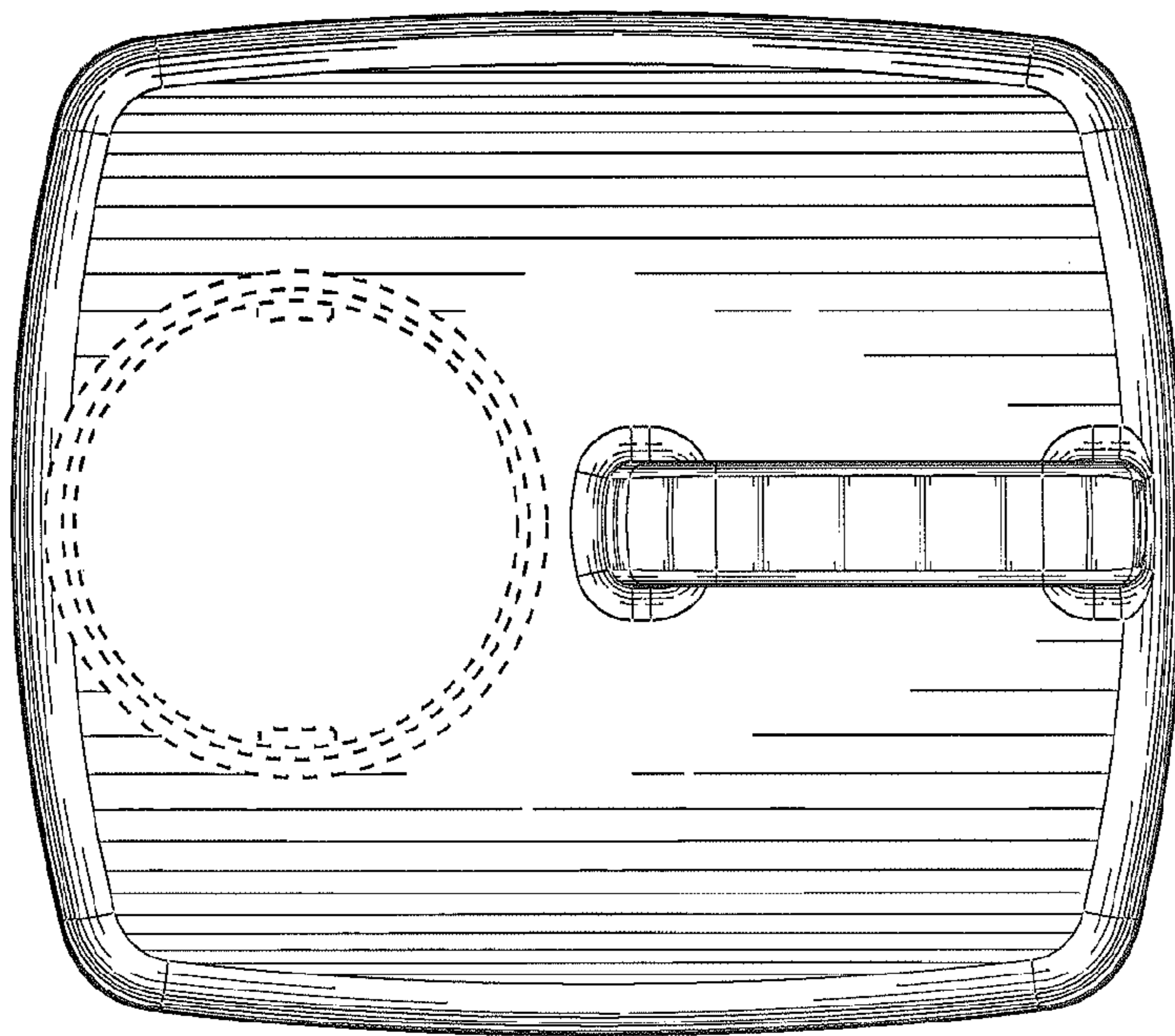


FIG. 6