



US00D687711S

(12) **United States Design Patent**
DeMarco

(10) **Patent No.:** **US D687,711 S**
(45) **Date of Patent:** **** Aug. 13, 2013**

(54) **COSMETIC CONTAINER**

(75) Inventor: **Jenny DeMarco**, Frisco, TX (US)

(73) Assignee: **Mary Kay Inc.**, Dallas, TX (US)

(**) Term: **14 Years**

(21) Appl. No.: **29/403,904**

(22) Filed: **Oct. 12, 2011**

(51) **LOC (9) Cl.** **09-01**

(52) **U.S. Cl.**
USPC **D9/504; D9/542**

(58) **Field of Classification Search**
USPC D9/435, 500, 502-505, 516, 529,
D9/539, 542, 544-545, 549, 554, 558, 574-575,
D9/682, 686, 688-692; D7/509-511; 215/379,
215/381-384; 220/660, 669-673, 675;
D28/76-77, 85, 88-89

See application file for complete search history.

(56) **References Cited**

U.S. PATENT DOCUMENTS

D139,381 S *	11/1944	Harris	D9/504
D189,374 S *	11/1960	Harris	D9/504
2,997,731 A *	8/1961	Schultz	401/213
D200,498 S *	3/1965	Guerlain	D9/556
D263,115 S *	2/1982	Ohmori	D9/632
D276,891 S	12/1984	Fortuna	D9/520
D308,635 S	6/1990	DiNuccio	D9/529
D325,523 S	4/1992	Restrepo	D9/529
D345,918 S	4/1994	Chevassus	D9/529
D415,319 S	10/1999	Bakic	D28/76
D419,075 S	1/2000	Gavin	D9/529
D422,902 S *	4/2000	Kikuchi	D9/689
D430,035 S	8/2000	Heeter et al.	D9/529
D472,147 S *	3/2003	Herrmann	D9/504
D474,341 S	5/2003	Cantone et al.	D4/116
D486,392 S	2/2004	Chuang	D9/503

(Continued)

FOREIGN PATENT DOCUMENTS

JP	D1113375	7/2001
TW	D104372	5/2005
TW	D135286	6/2010

OTHER PUBLICATIONS

“Reverse Taper”, ABA Packaging Corporation Catalog, ABA Packaging Corp., Holtsville, NY, 2004, p. 57.*

(Continued)

Primary Examiner — Ian Simmons

Assistant Examiner — Dana L Meyrow

(74) *Attorney, Agent, or Firm* — Fulbright & Jaworski LLP

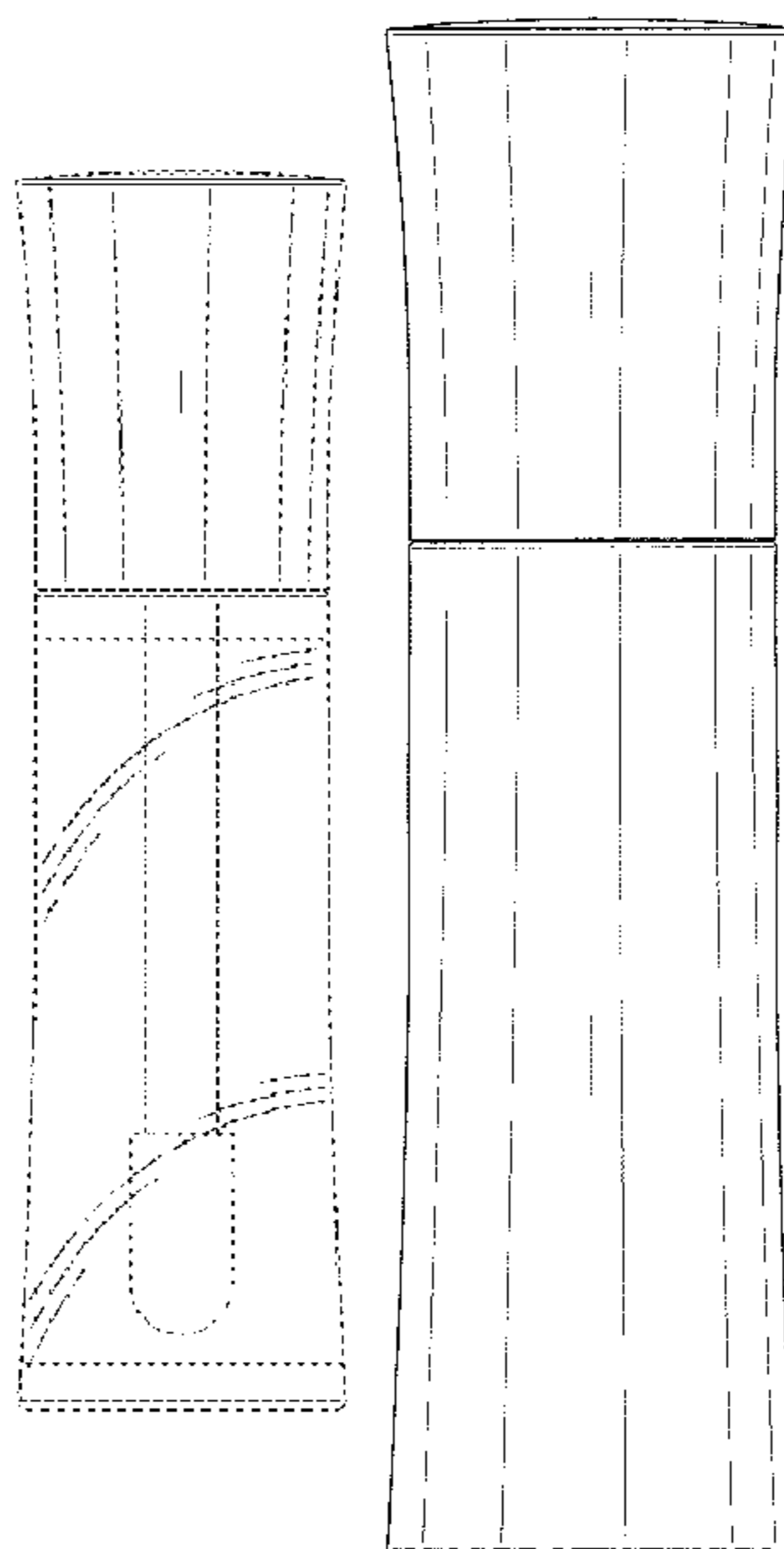
(57) **CLAIM**

The ornamental design for a cosmetic container, as shown and described.

DESCRIPTION

FIG. 1 is a top front perspective view of a cosmetic container showing a first embodiment of my new design; FIG. 2 is a bottom perspective view of the first embodiment; FIG. 3 is a front view of the first embodiment, the left side, right side and rear views being identical; FIG. 4 is a top view of the first embodiment; FIG. 5 is a bottom view of the first embodiment; FIG. 6 is a top perspective view of a second embodiment of my new design for a cosmetic container; FIG. 7 is a bottom perspective view of the second embodiment; FIG. 8 is a front view of the second embodiment, the left side, right side and rear views being identical; FIG. 9 is a top view of the second embodiment; and, FIG. 10 is a bottom view of the second embodiment. The dashed lines in FIGS. 1-3 and 5 represent environmental structure and form no part of the claimed design.

1 Claim, 8 Drawing Sheets



US D687,711 S

Page 2

U.S. PATENT DOCUMENTS

D486,393 S 2/2004 Chuang D9/503
D487,016 S * 2/2004 DeBiase et al. D9/445
D506,672 S 6/2005 Hina D9/436
D521,383 S 5/2006 Priestman D9/529
D521,384 S 5/2006 Priestman D9/529
D521,386 S * 5/2006 Priestman D9/529
D527,642 S 9/2006 Priestman D9/529
D541,659 S 5/2007 Fischer D9/529
D554,505 S 11/2007 Gilbert D9/503
D565,797 S 4/2008 Maddy D28/88
D569,251 S * 5/2008 Varlet D9/500
D569,254 S 5/2008 Moretti D9/529
D570,051 S 5/2008 Bakic D28/88
D571,219 S 6/2008 McCoy D9/546
D571,663 S 6/2008 Bakic D9/500
D572,592 S 7/2008 Chang D9/504

D574,248 S 8/2008 Baraky et al. D9/529
D584,639 S 1/2009 Antretter D9/687
D605,049 S 12/2009 Tanii et al. D9/529
D609,571 S * 2/2010 Butler et al. D9/504
D610,459 S * 2/2010 Nagata D9/504
D613,174 S * 4/2010 Pecora D9/529
D615,400 S 5/2010 Usui et al. D9/454
D629,699 S 12/2010 Kim et al. D9/574
D639,166 S * 6/2011 Carreno D9/504
D640,136 S * 6/2011 Liba D9/529
D653,112 S * 1/2012 White et al. D9/529

OTHER PUBLICATIONS

Office Communication and Search Report issued in Taiwanese Patent
Application No. 100306492, dated Aug. 22, 2012.

* cited by examiner

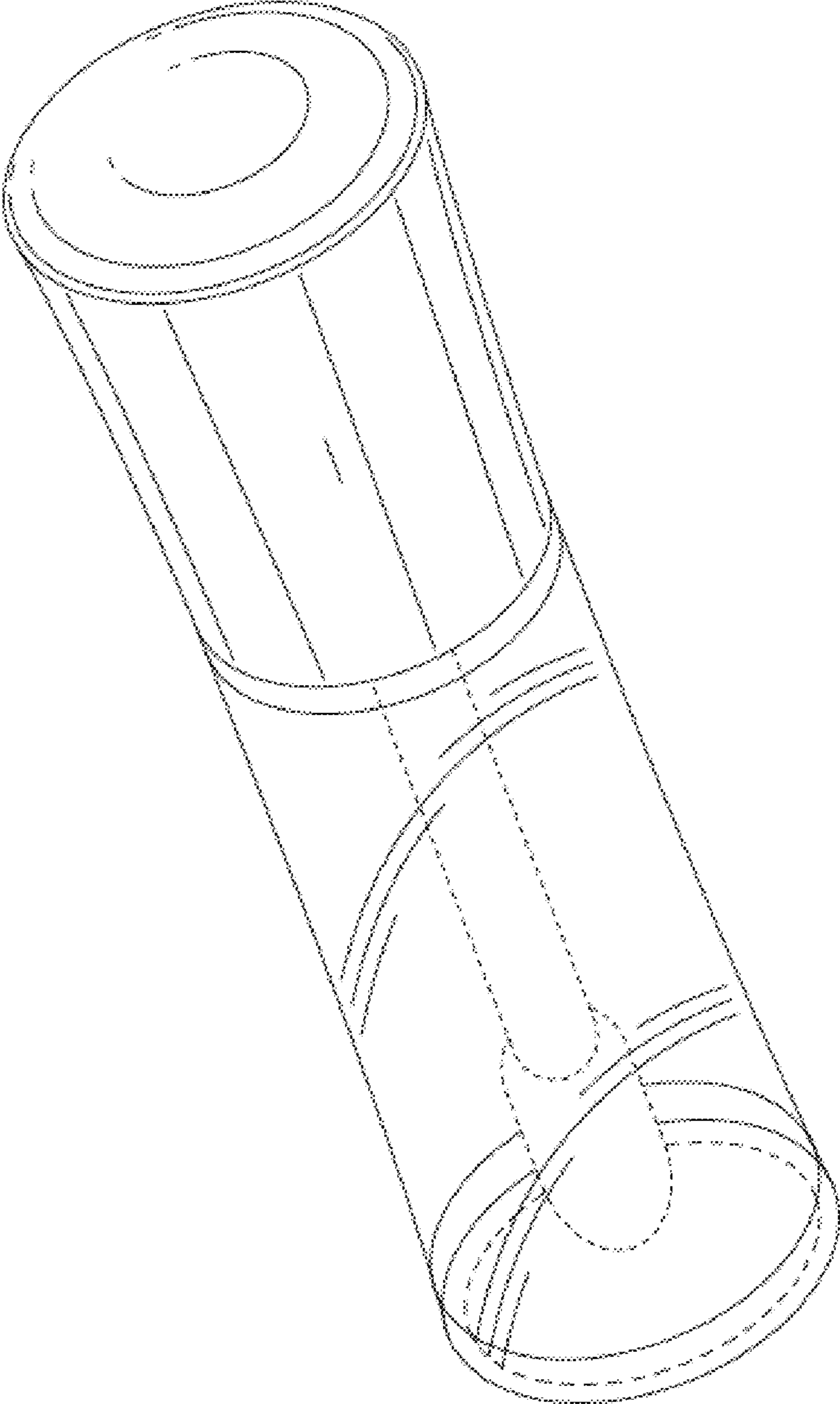


FIG. 1

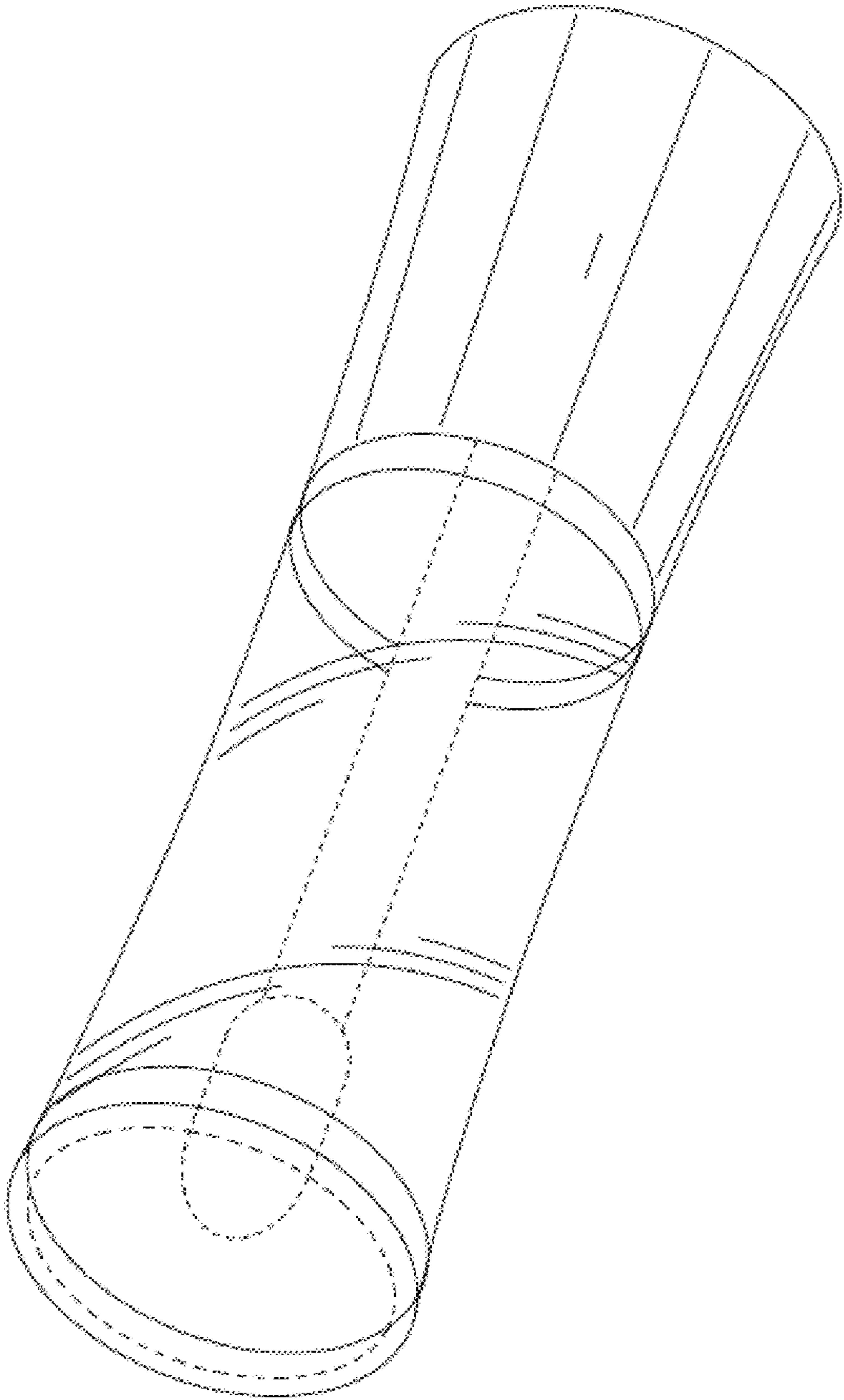


FIG. 2

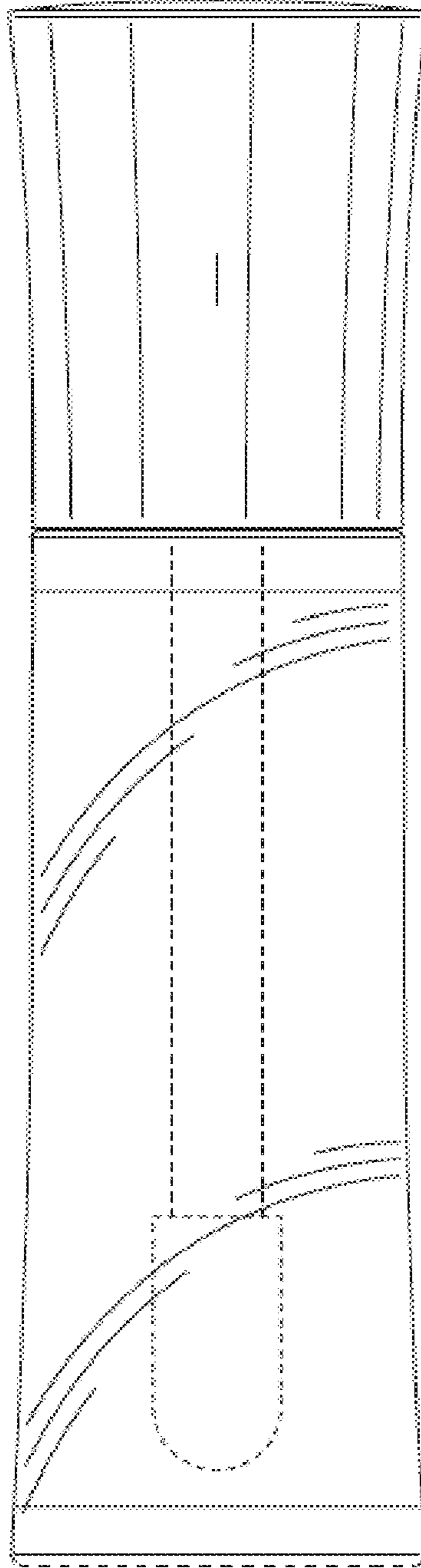


FIG. 3

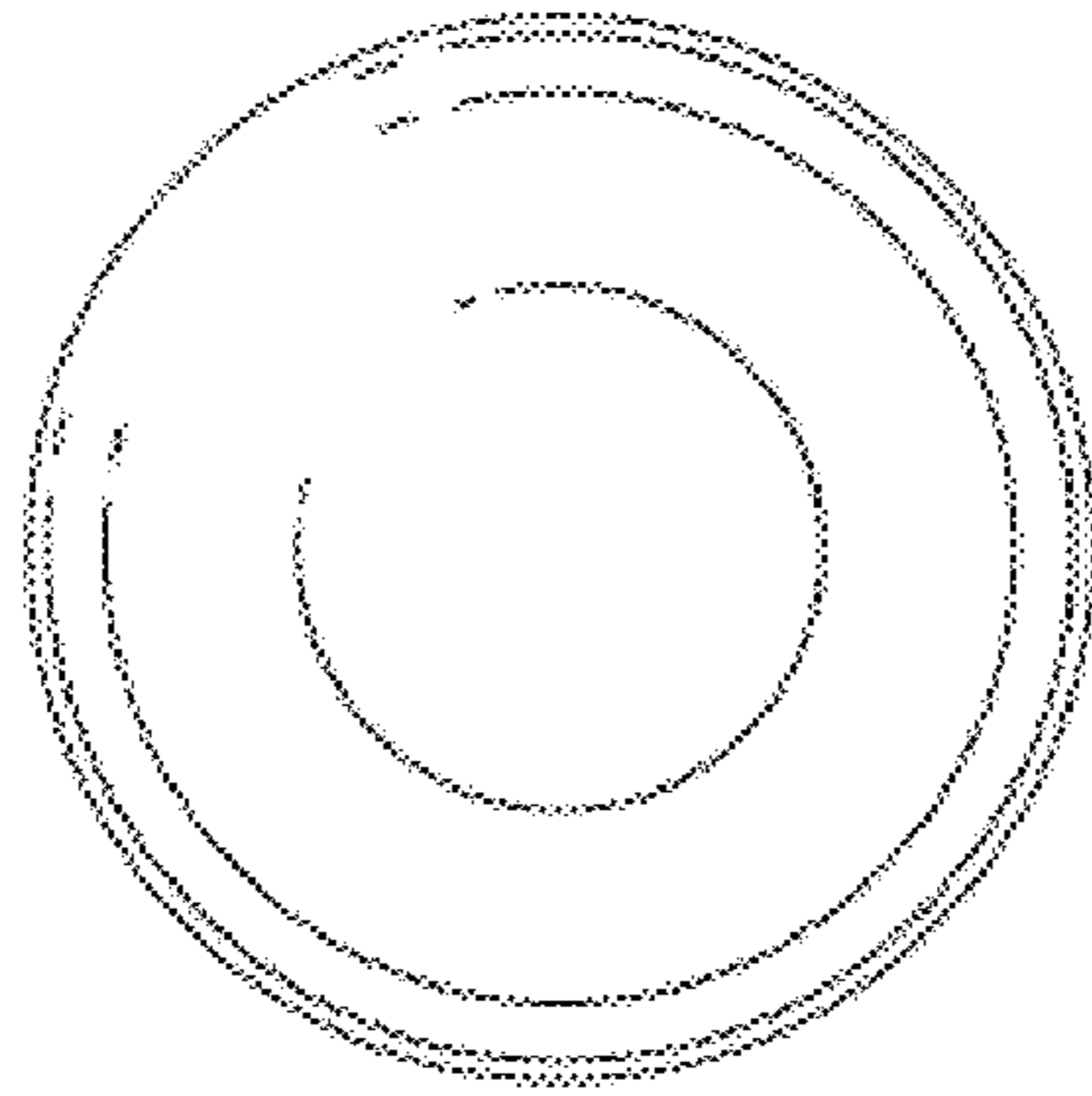


FIG. 4

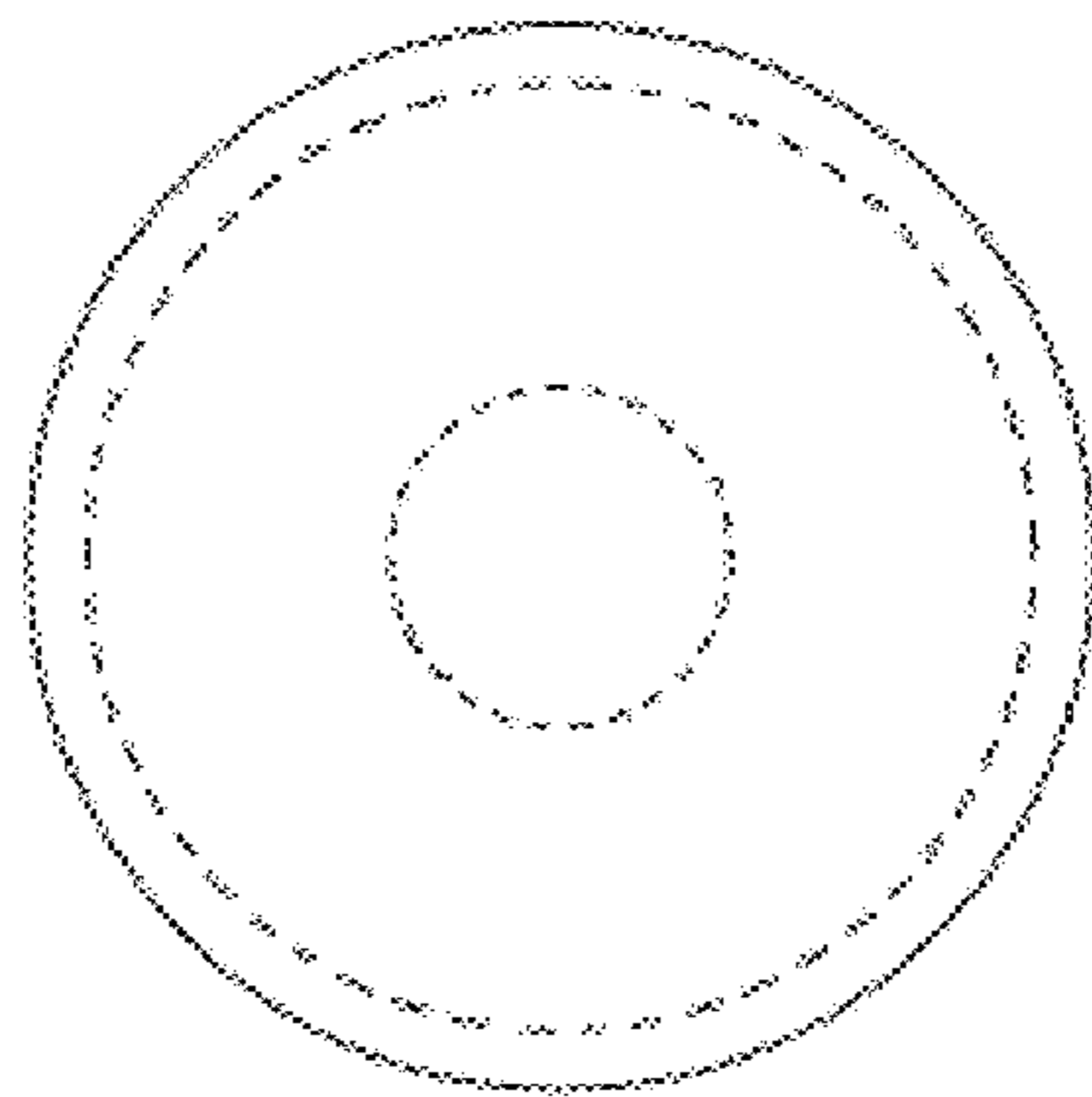


FIG. 5

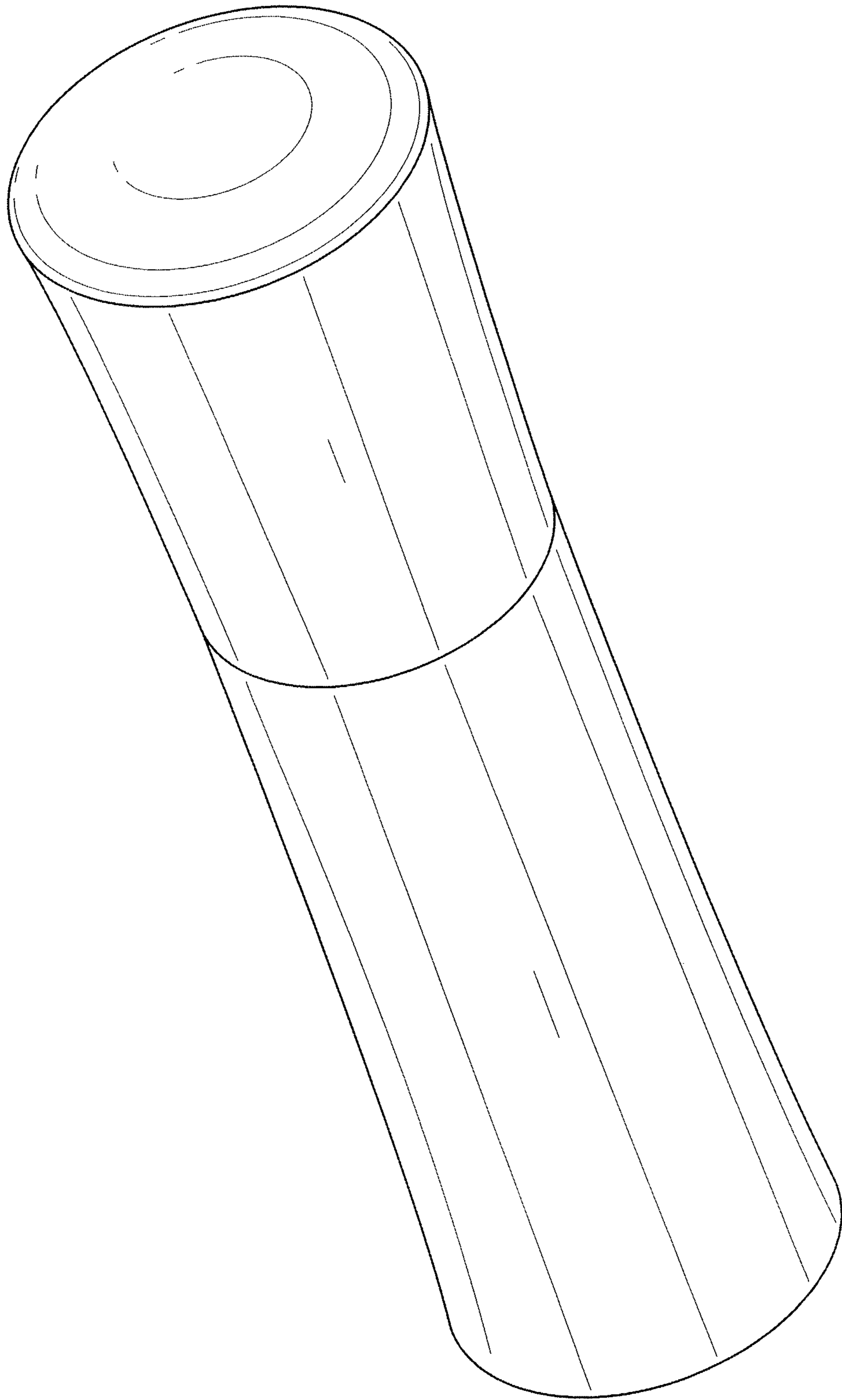


FIG. 6

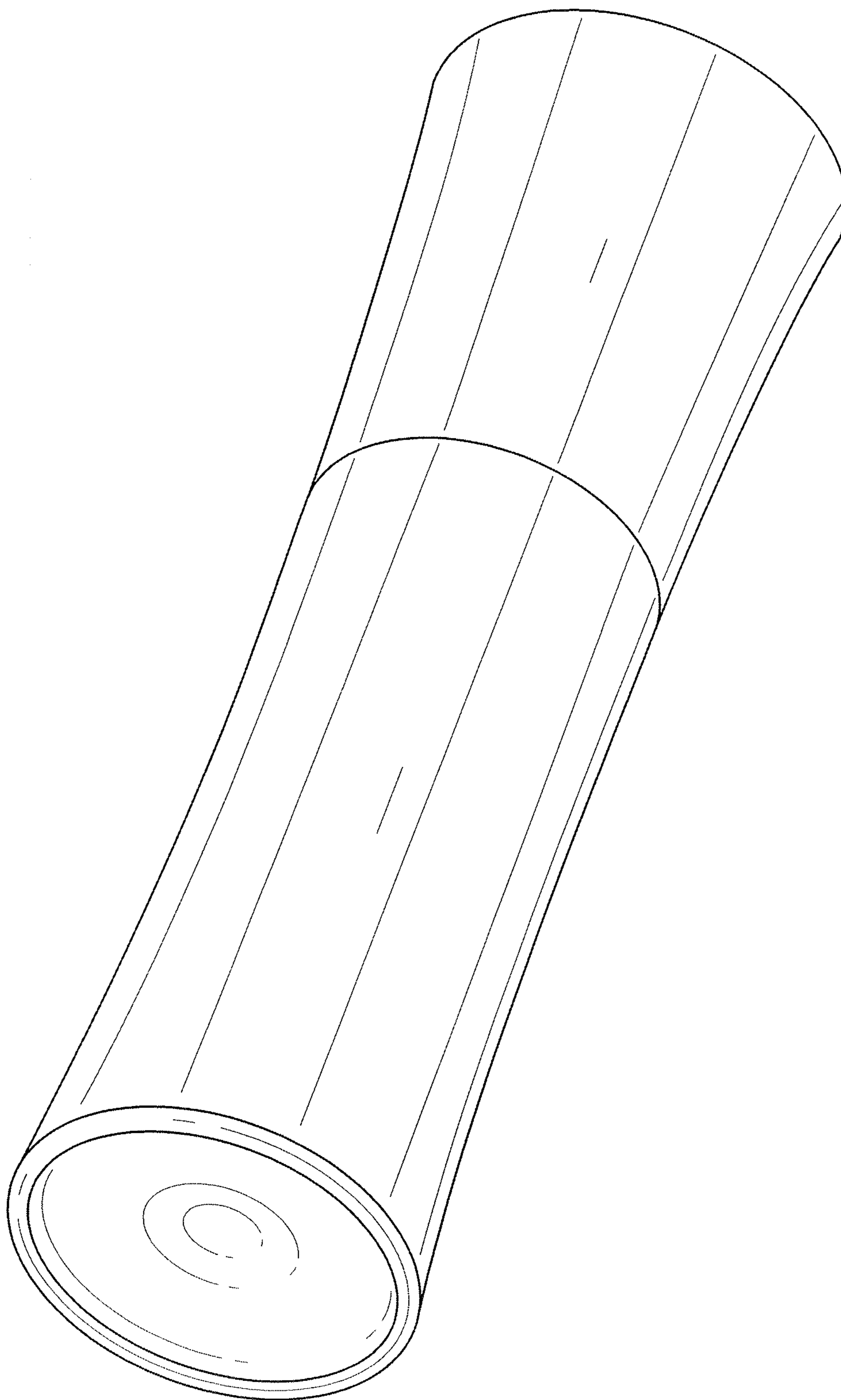


FIG. 7

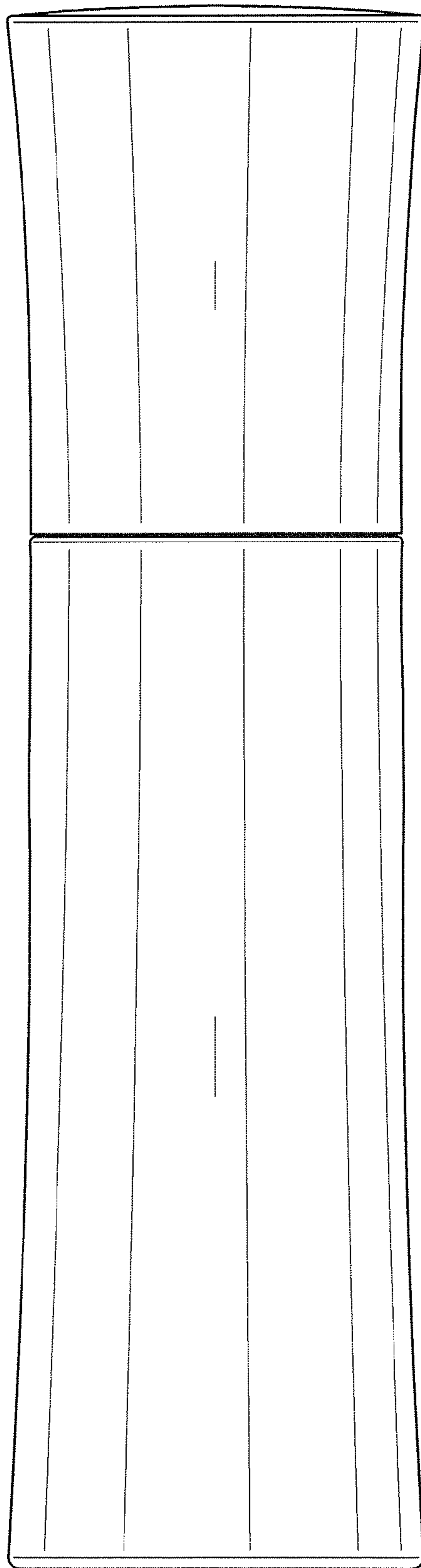


FIG. 8

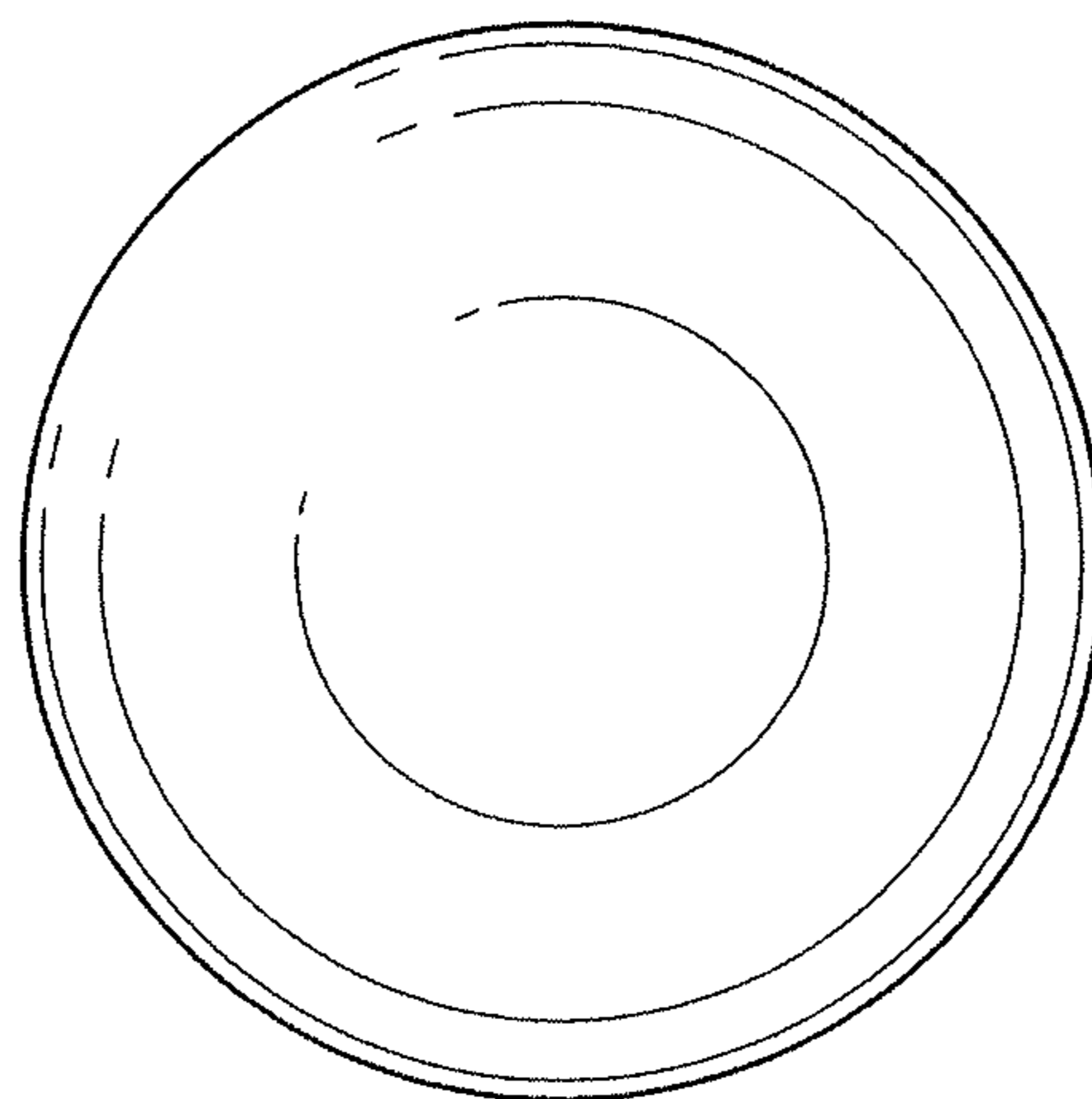


FIG. 9

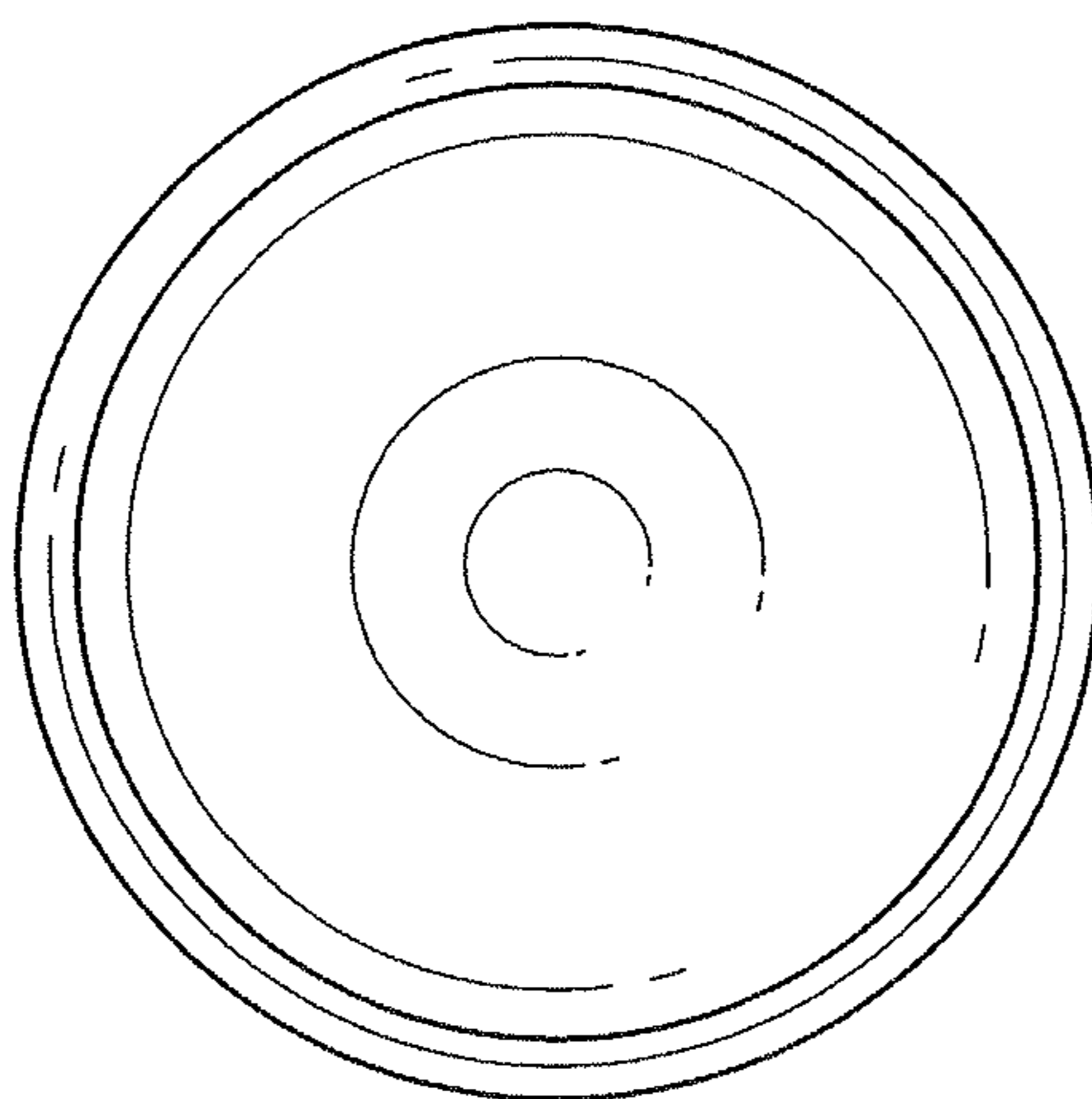


FIG. 10