



US00D687710S

(12) **United States Design Patent**
Johnson et al.

(10) **Patent No.:** **US D687,710 S**

(45) **Date of Patent:** **** *Aug. 13, 2013**

(54) **BEVERAGE CONTAINER**

(75) Inventors: **Dean L. Johnson**, Littleton, CO (US);
David J. Bonfoey, Thornton, CO (US)

(73) Assignee: **Ball Corporation**, Broomfield, CO (US)

(*) Notice: This patent is subject to a terminal disclaimer.

(**) Term: **14 Years**

(21) Appl. No.: **29/378,145**

(22) Filed: **Oct. 29, 2010**

(51) **LOC (9) Cl.** **09-01**

(52) **U.S. Cl.**
USPC **D9/500; D9/772**

(58) **Field of Classification Search**
USPC D9/500, 502-505, 516, 549, 557-55,
D9/575, 763-764, 772, 779-780; D7/509-511;
215/379, 381; 220/660, 662, 675
See application file for complete search history.

(56) **References Cited**

U.S. PATENT DOCUMENTS

1,079,403	A	11/1913	Creelius	
2,157,896	A	5/1939	Held	
D227,656	S	7/1973	Broadhead	
D234,291	S	2/1975	Broadhead	
3,995,572	A	12/1976	Saunders	
D248,927	S	8/1978	Cassia	
D260,732	S	9/1981	Walker	
D335,455	S	5/1993	Brown	
D347,571	S *	6/1994	Wacker	D9/688
D364,347	S	11/1995	Sillince et al.	
5,572,893	A	11/1996	Goda et al.	
5,718,352	A	2/1998	Diekhoff et al.	
5,755,354	A	5/1998	Lang	
5,822,843	A	10/1998	Diekhoff et al.	

D414,238	S	9/1999	Kupperman	
6,010,028	A *	1/2000	Jordan et al.	220/669
D422,914	S *	4/2000	Lasky	D9/451
D435,648	S	12/2000	Shah et al.	
D435,649	S	12/2000	Shah et al.	
D441,657	S *	5/2001	Brown, III	D9/764
6,463,776	B1	10/2002	Enoki et al.	
D475,630	S	6/2003	Canino	
D503,343	S	3/2005	Canino	
6,907,653	B2	6/2005	Chupak	
6,959,830	B1 *	11/2005	Kanou et al.	220/288
D518,732	S	4/2006	Gedanke et al.	
D528,000	S	9/2006	Davis et al.	
7,140,223	B2	11/2006	Chupak	

(Continued)

FOREIGN PATENT DOCUMENTS

CA	2348438	3/2001
CA	2352747	4/2001

(Continued)

OTHER PUBLICATIONS

Johnson et al., U.S. Appl. No. 29/378,146, filed Oct. 29, 2010.

(Continued)

Primary Examiner — Ian Simmons
Assistant Examiner — Dana L Meyrow
(74) *Attorney, Agent, or Firm* — Sheridan Ross P.C.

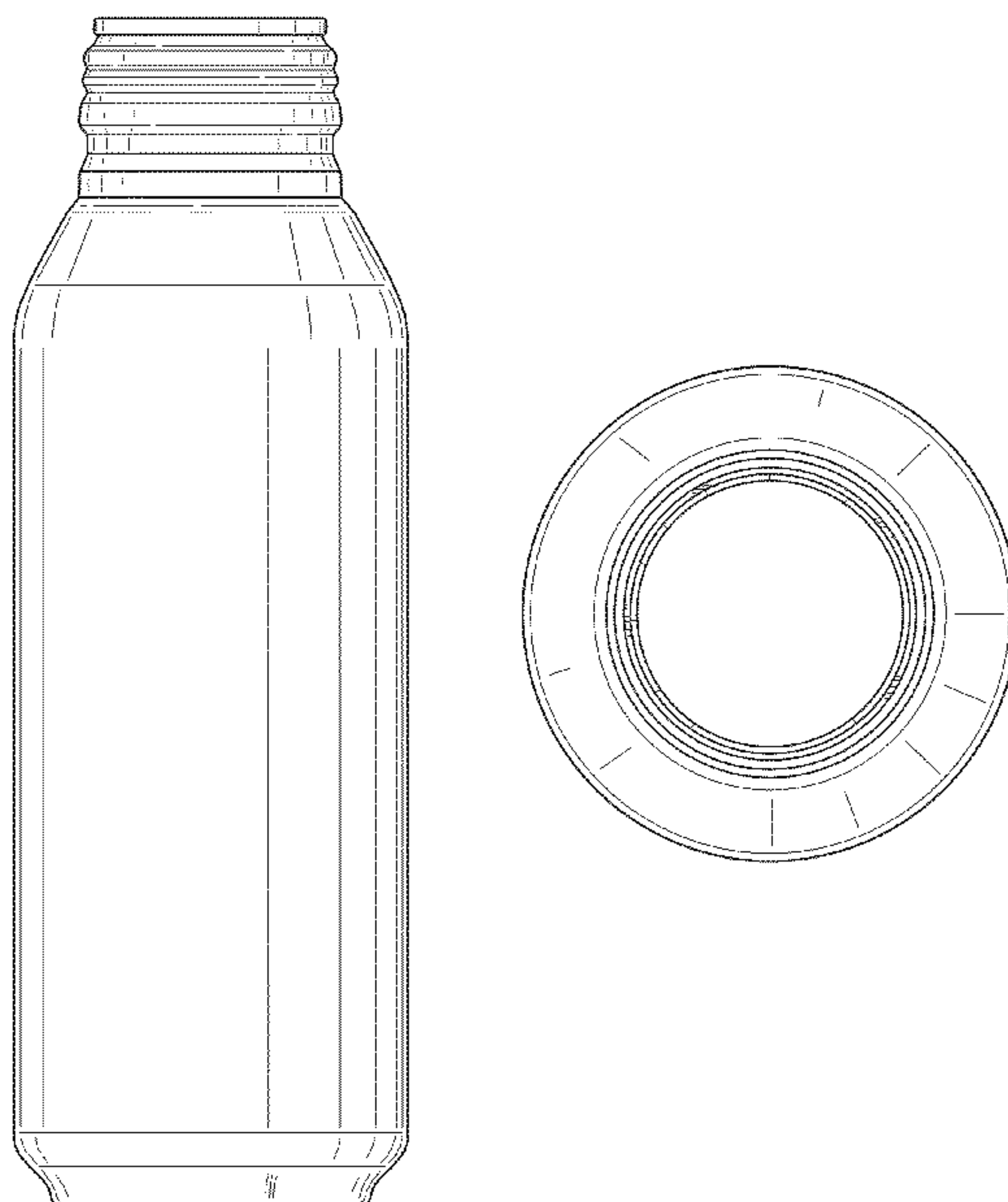
(57) **CLAIM**

The ornamental design for a beverage container, as shown and described.

DESCRIPTION

FIG. 1 is a front perspective view of a beverage container; FIG. 2 is a front elevation view thereof; and, FIG. 3 is a top plan view thereof.

1 Claim, 3 Drawing Sheets



(56)

References Cited

U.S. PATENT DOCUMENTS

7,171,840	B2 *	2/2007	Kanou et al.	72/379.4
D554,000	S	10/2007	Walsh	
D564,881	S	3/2008	Chupak	
D569,252	S	5/2008	Borsari et al.	
D584,623	S *	1/2009	Chupak	D9/500
D592,060	S	5/2009	Chupak	
D596,488	S	7/2009	Chupak	
D600,556	S	9/2009	Chupak	
D600,557	S	9/2009	Chupak	
D605,040	S	12/2009	Fry et al.	
D619,457	S *	7/2010	Walsh	D9/500
D619,458	S *	7/2010	Walsh	D9/500
D619,459	S *	7/2010	Walsh	D9/500
D620,360	S	7/2010	Walsh	
D622,145	S *	8/2010	Walsh	D9/500
7,798,357	B2	9/2010	Hanafusa et al.	
D638,708	S *	5/2011	Walsh	D9/500
D639,164	S	6/2011	Walsh	
8,016,148	B2 *	9/2011	Walsh	220/288
D646,165	S	10/2011	Chupak	
D646,166	S	10/2011	Chupak	
D653,966	S	2/2012	Kohara et al.	
D654,379	S	2/2012	Kohara et al.	
D654,380	S	2/2012	Kohara et al.	

FOREIGN PATENT DOCUMENTS

WO	WO 01/15829	3/2001
WO	DM/062281	12/2002
WO	DM/063368	4/2003

OTHER PUBLICATIONS

Johnson et al., U.S. Appl. No. 29/378,147, filed Oct. 29, 2010.
 Johnson et al., U.S. Appl. No. 29/386,520, filed Mar. 2, 2011.
 Jacober, U.S. Appl. No. 29/386,578, filed Mar. 2, 2011.
 Johnson et al. U.S. Appl. No. 29/408,689, filed Dec. 15, 2011.
 Johnson et al. U.S. Appl. No. 29/408,690, filed Dec. 15, 2011.
 Johnson et al. U.S. Appl. No. 29/408,691, filed Dec. 15, 2011.
 Jacober U.S. Appl. No. 29/411,487, filed Jan. 20, 2012.
 Jacober et al. U.S. Appl. No. 29/411,761, filed Jan. 25, 2012.
 Official Action for U.S. Appl. No. 29/408,691, mailed Mar. 23, 2012
 9 pages.
 Official Action for U.S. Appl. No. 29/378,146, mailed Mar. 26, 2012
 7 pages.
 Official Action for U.S. Appl. No. 29/408,690, mailed Mar. 28, 2012
 9 pages.

* cited by examiner

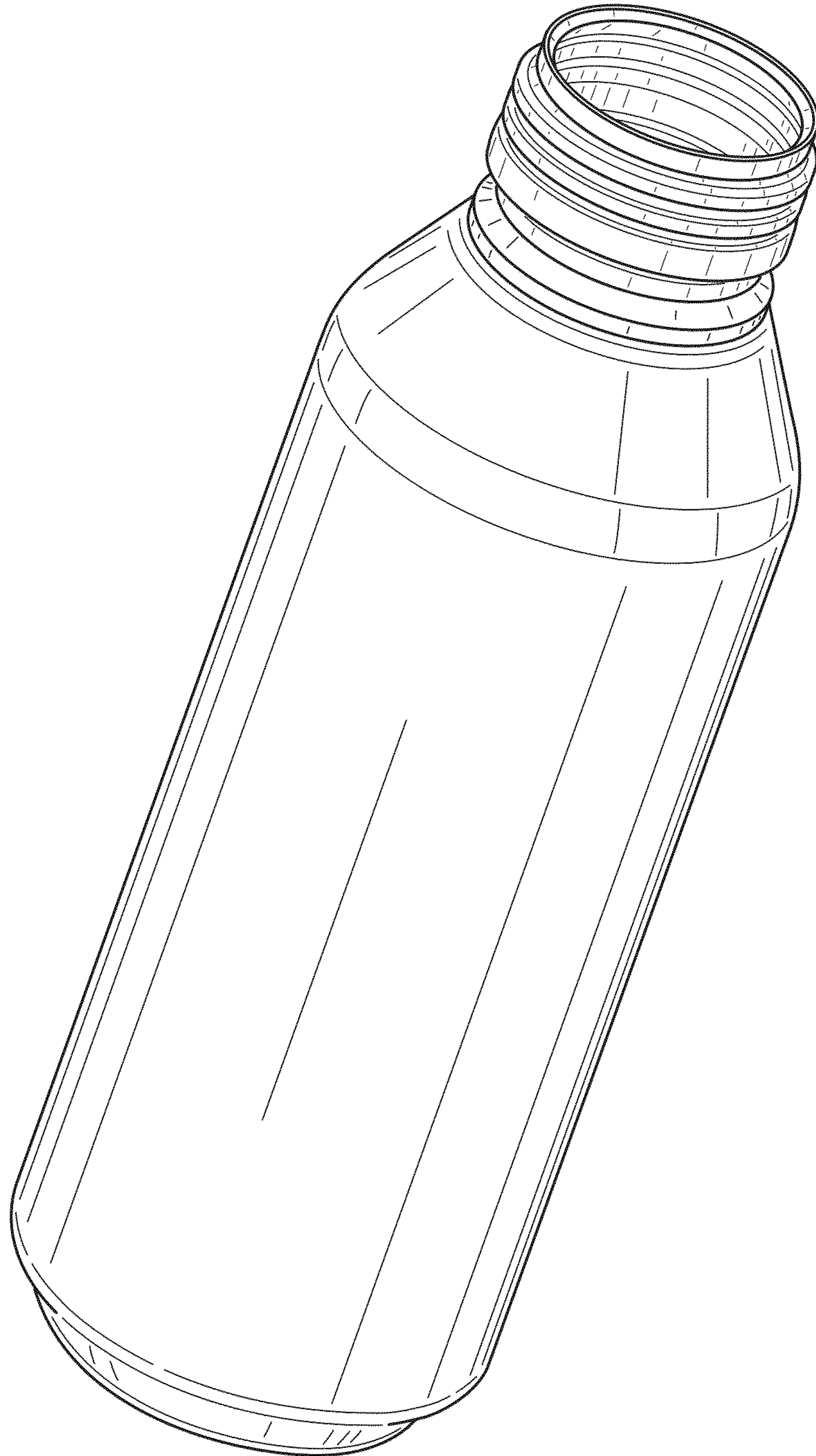


FIG.1

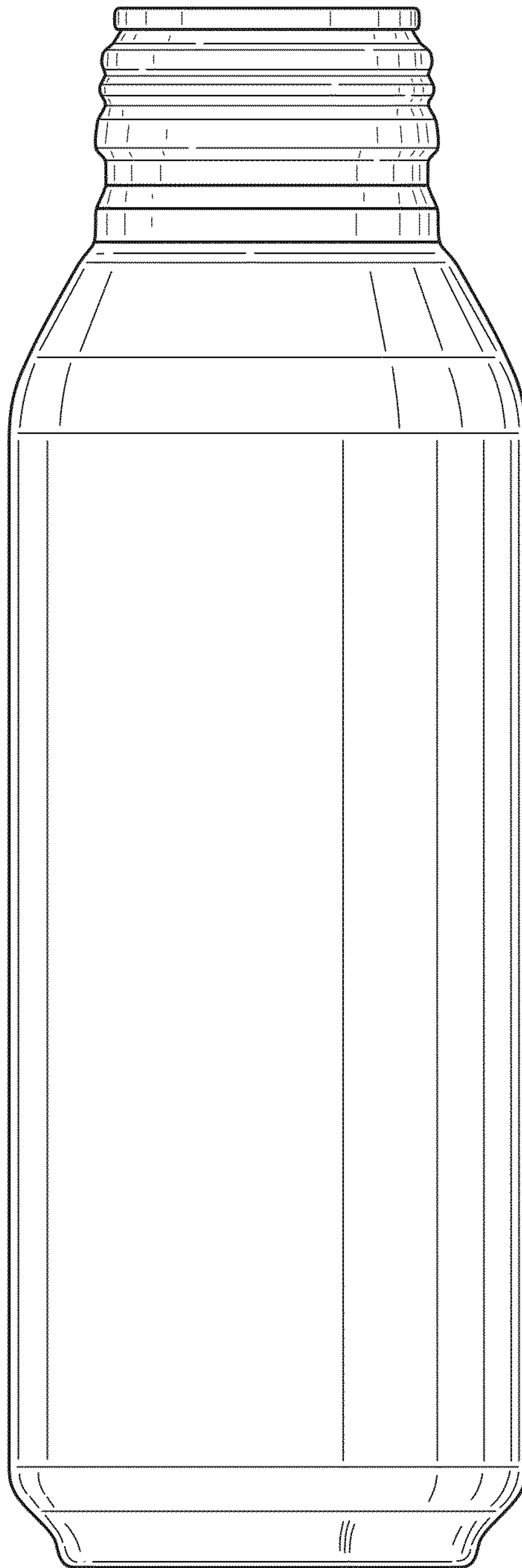


FIG.2

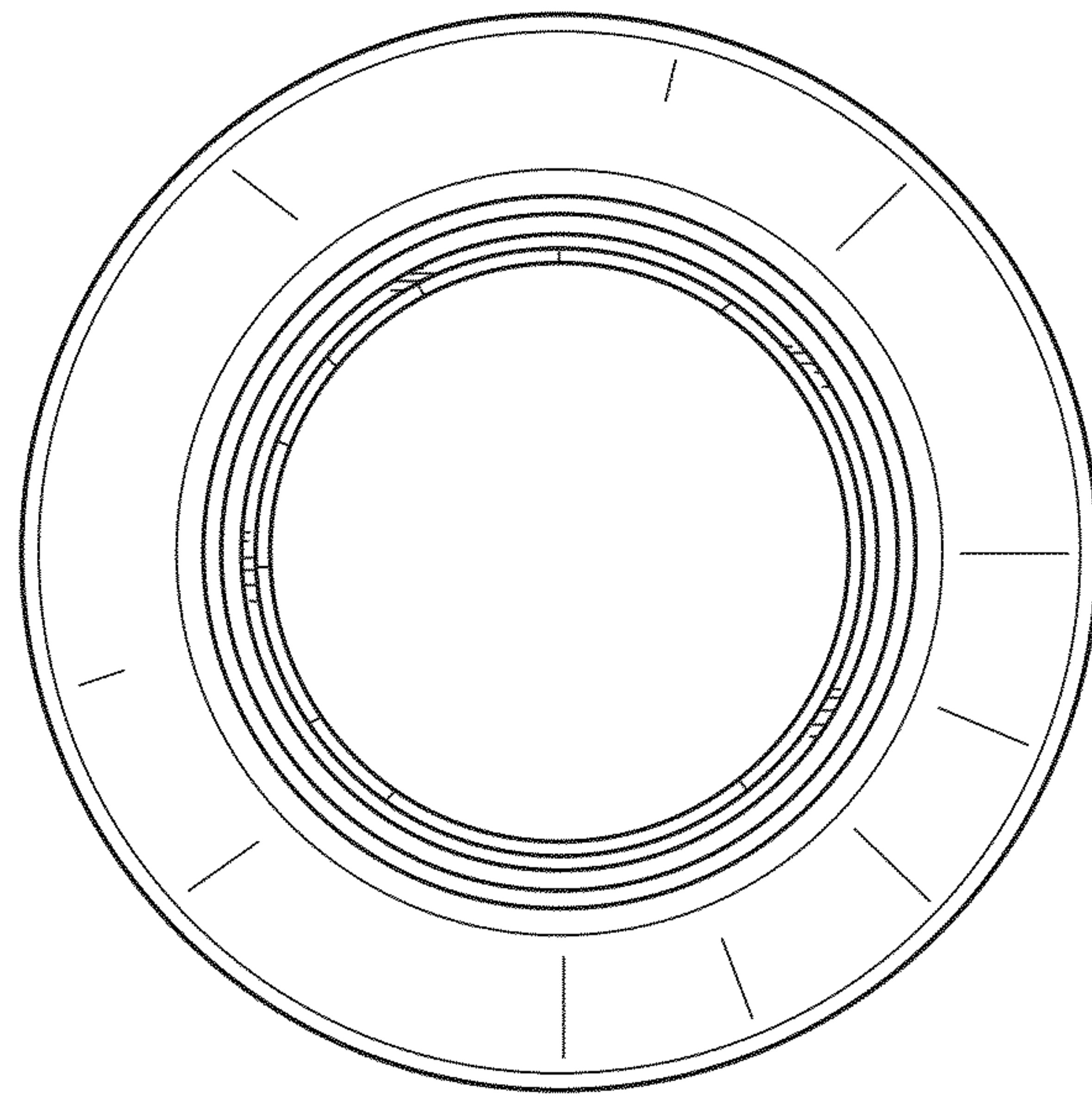


FIG.3