



US00D687709S

(12) **United States Design Patent**  
**Taylor**

(10) **Patent No.:** **US D687,709 S**

(45) **Date of Patent:** **\*\* \*Aug. 13, 2013**

(54) **TAMPER EVIDENT POLYMER SCREW CAP WITH REDUCER AND DIRECTIONAL LUGS**

(76) Inventor: **Dale W. Taylor**, Hamilton, IN (US)

(\*) Notice: This patent is subject to a terminal disclaimer.

(\*\*) Term: **14 Years**

(21) Appl. No.: **29/421,098**

(22) Filed: **May 21, 2012**

(51) **LOC (9) Cl.** ..... **09-07**

(52) **U.S. Cl.**  
USPC ..... **D9/453**

(58) **Field of Classification Search**  
USPC ..... D9/711, 457, 454, 453, 452, 447,  
D9/443, 436, 434, 432, 30, 415; D7/392.1;  
220/784, 780, 326, 319, 281, 270, 266, 259.4,  
220/254.8, 203.11

See application file for complete search history.

(56) **References Cited**

**U.S. PATENT DOCUMENTS**

D124,384	S	*	12/1940	Erlich	.....	D9/453
D195,372	S		6/1963	Tupper	.....	D9/439
4,136,796	A		1/1979	Dubois		
4,261,478	A		4/1981	Summers	.....	220/270
D399,048	S	*	10/1998	Sayre	.....	D3/202
5,882,454	A		3/1999	Baginski		
D413,485	S	*	9/1999	Much	.....	D7/392.1
6,368,741	B1		4/2002	Hackel		
D501,138	S		1/2005	Uchiyama	.....	D9/439
6,874,656	B2		4/2005	Rohr		
6,883,675	B2		4/2005	Maenke		
7,201,287	B2		4/2007	Maenke		
D562,144	S	*	2/2008	Lane	.....	D9/556
D583,238	S	*	12/2008	Chen	.....	D9/453
7,690,525	B2		4/2010	Schutz		

D623,049	S	*	9/2010	Zeyfang	.....	D8/397
D642,918	S		8/2011	Taylor		
D642,919	S	*	8/2011	Taylor	.....	D9/453
D642,920	S	*	8/2011	Taylor	.....	D9/453
D643,288	S	*	8/2011	Taylor	.....	D9/453
D655,310	S	*	3/2012	Tiefenthaler et al.	.....	D15/5
2006/0096985	A1		5/2006	Stolzman		

**OTHER PUBLICATIONS**

Rieke Packaging Systems, PAil and Can Catalog, p. 9, 70MM Screw Caps. Online Catalog, [www.riekepackaging.com/file/pdfs/rieke\\_pail.pdf](http://www.riekepackaging.com/file/pdfs/rieke_pail.pdf).

\* cited by examiner

*Primary Examiner* — Susan Bennett Hattan

(57) **CLAIM**

The ornamental design for the tamper evident polymer screw cap with reducer and directional lugs, as shown and described.

**DESCRIPTION**

FIG. 1 is a top perspective view of a tamper evident polymer screw cap with reducer and directional lugs in accordance with my design;

FIG. 2 is a bottom perspective view thereof;

FIG. 3 is a top plan view thereof;

FIG. 4 is a bottom view thereof;

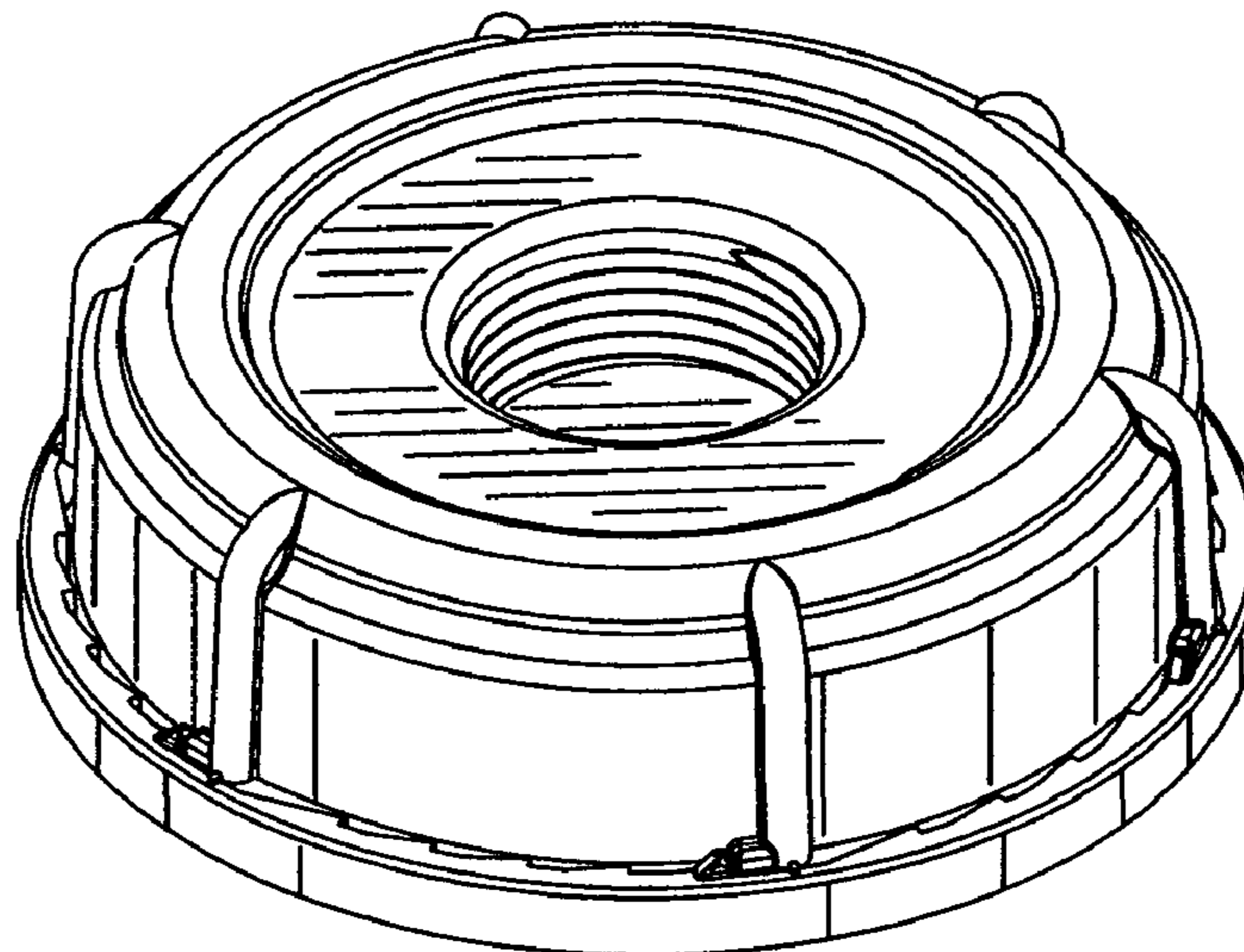
FIG. 5 is a front elevation view thereof; the rear elevation view being the same;

FIG. 6 is a right side view thereof; the left side view being the same;

FIG. 7 is a sectional view thereof, taken on line 7-7 of FIG. 3; and,

FIG. 8 is a sectional view thereof, taken on line 8-8 of FIG. 3.

**1 Claim, 4 Drawing Sheets**



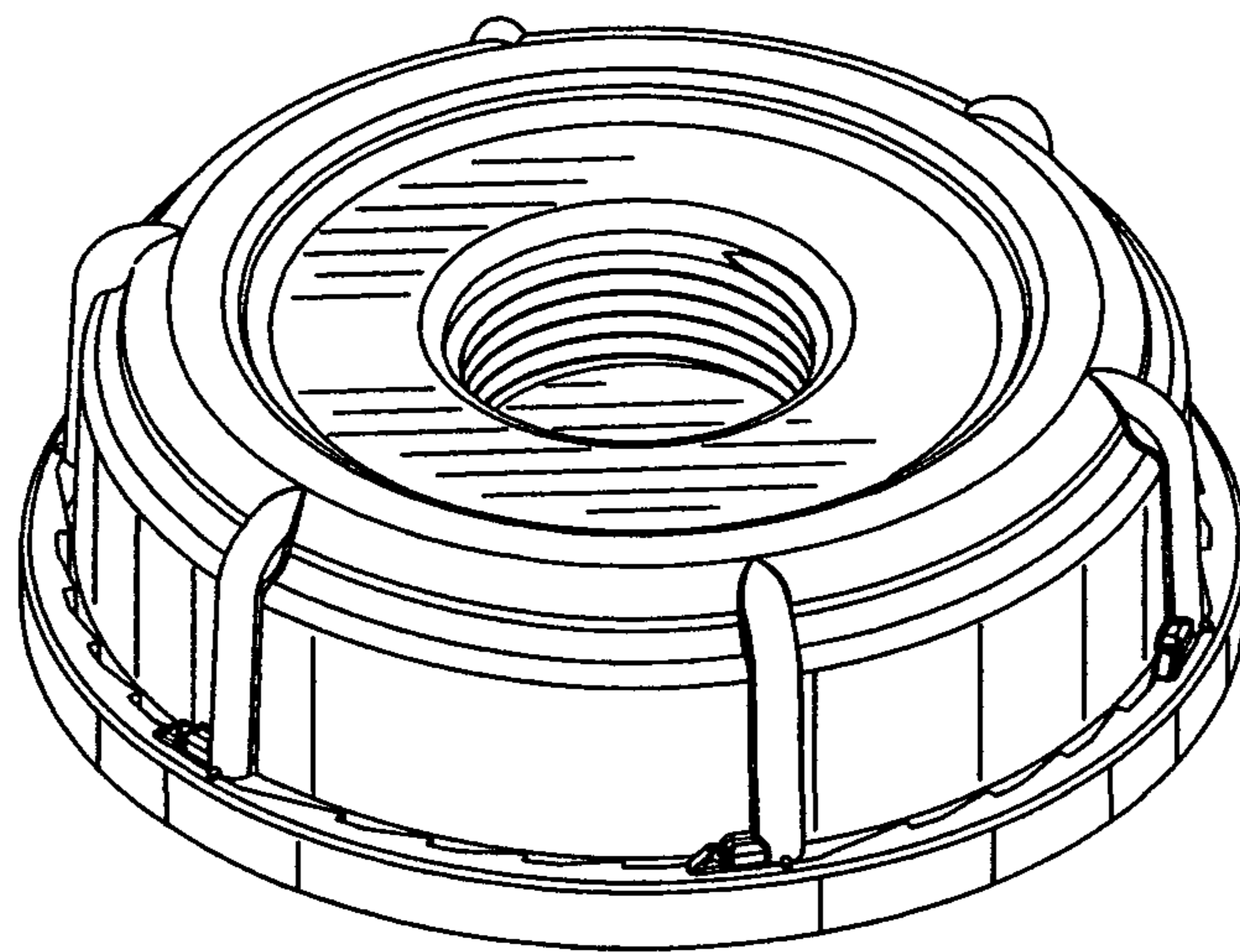


FIG. 1

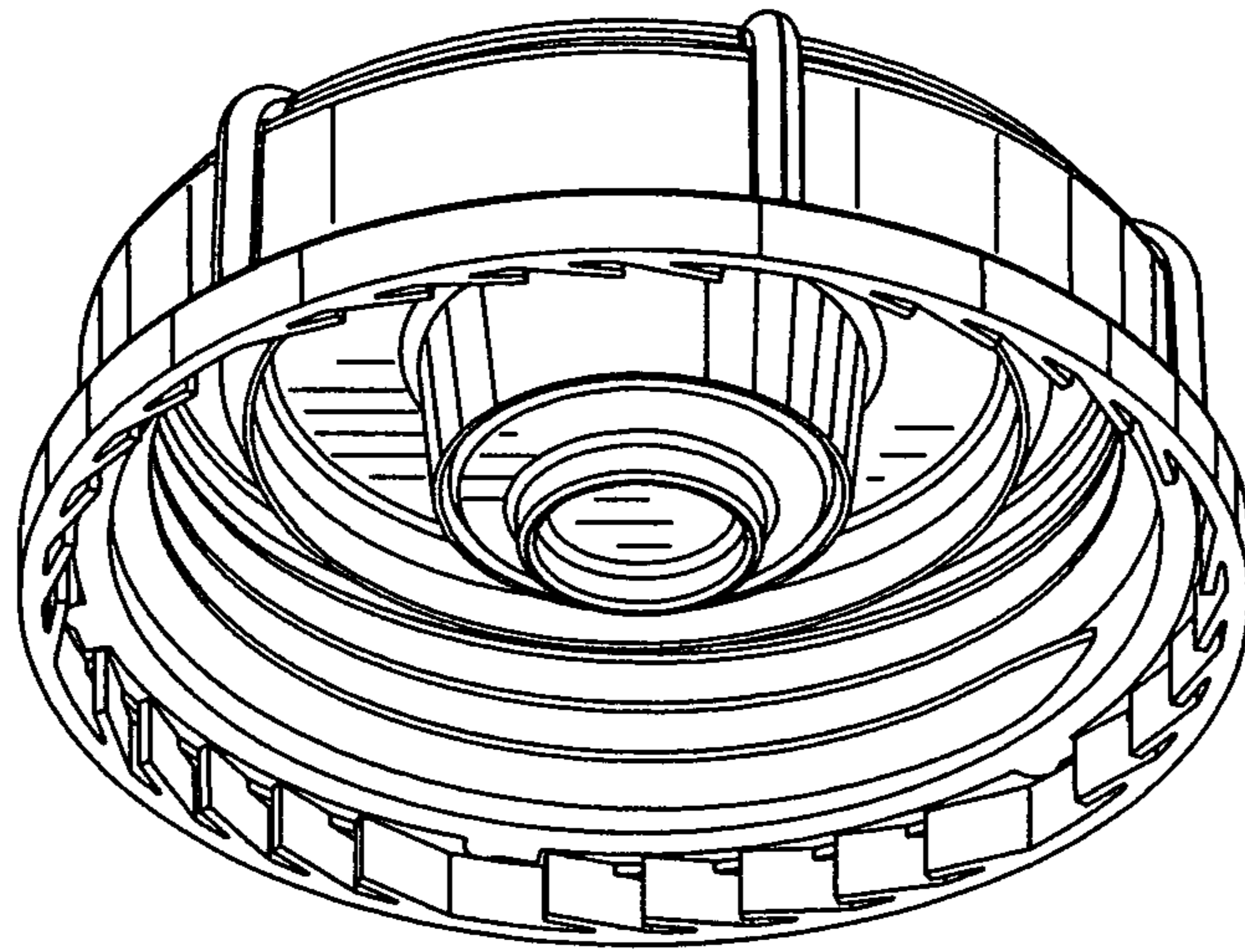


FIG. 2

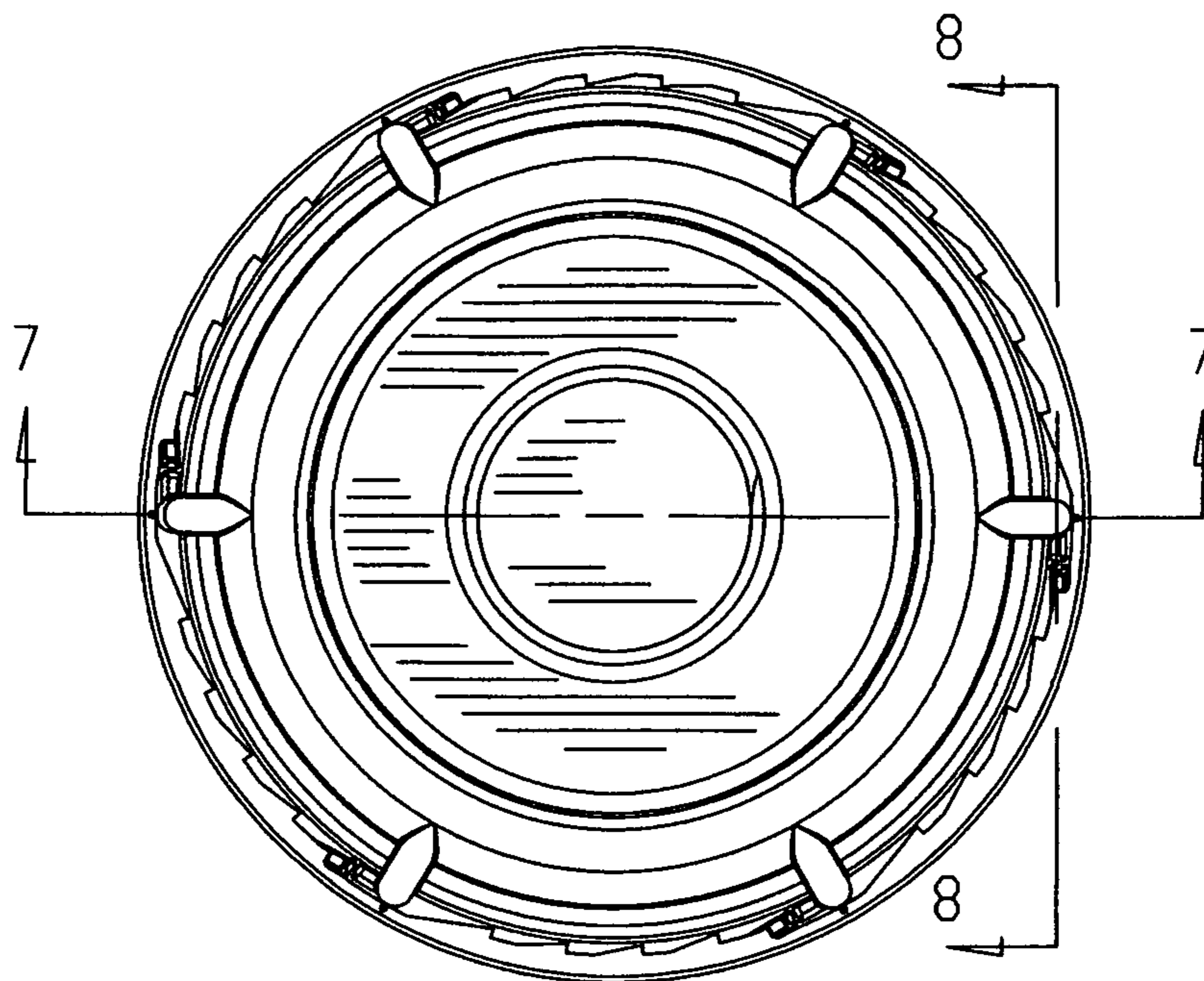


FIG. 3

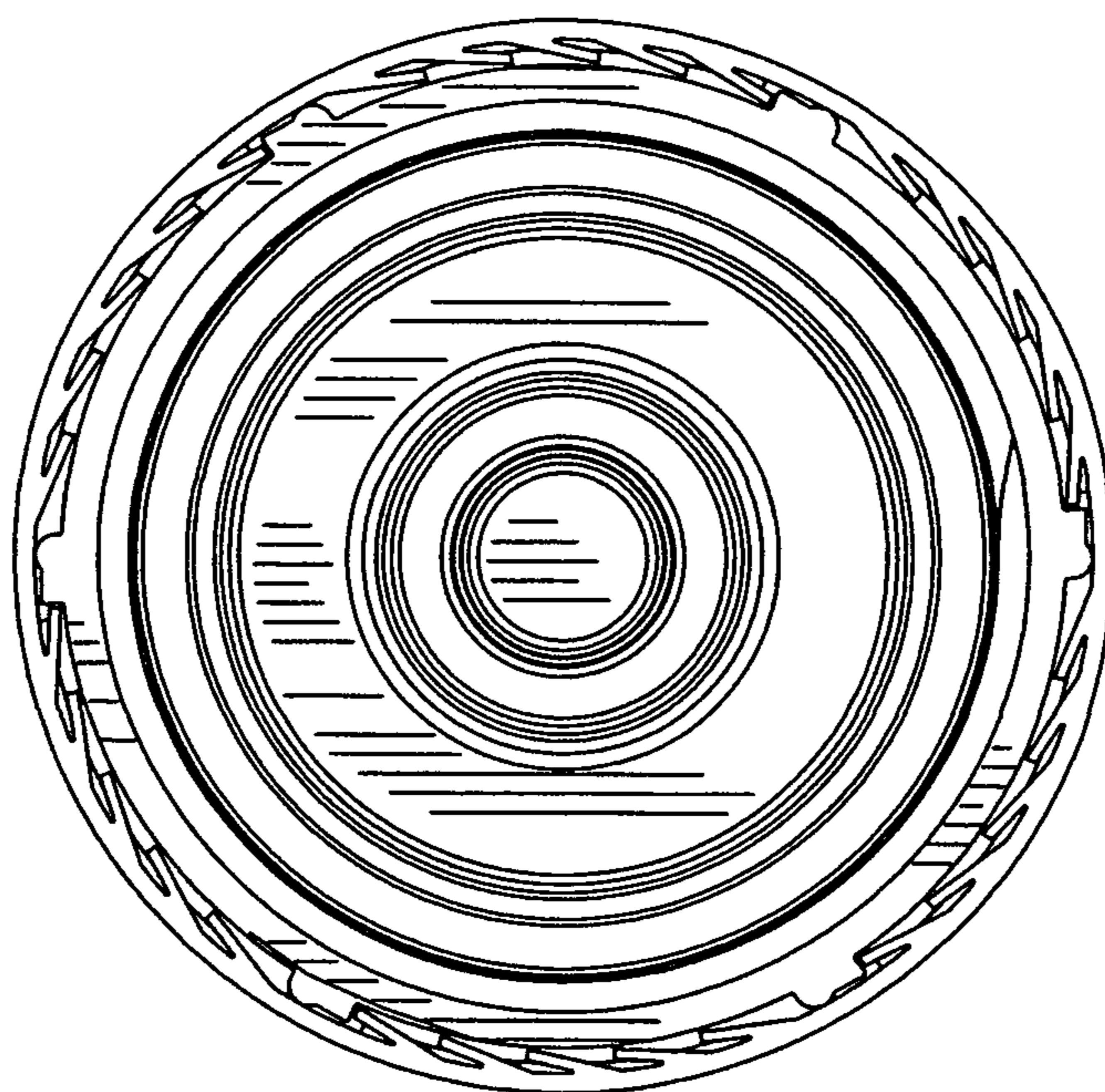


FIG. 4

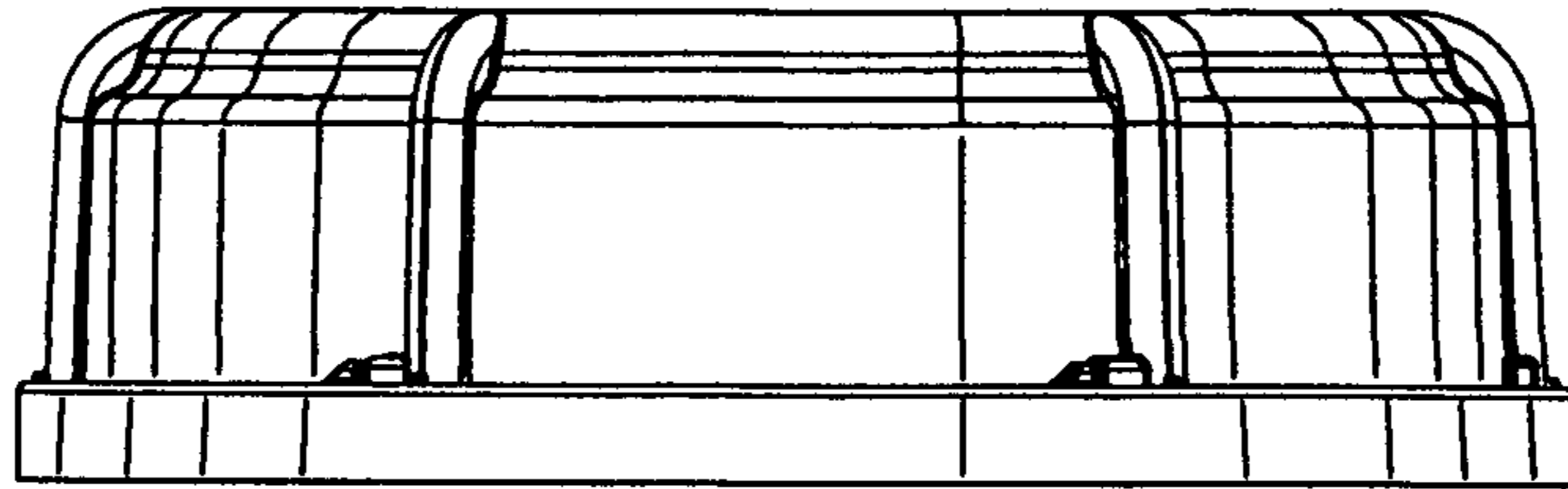


FIG. 5

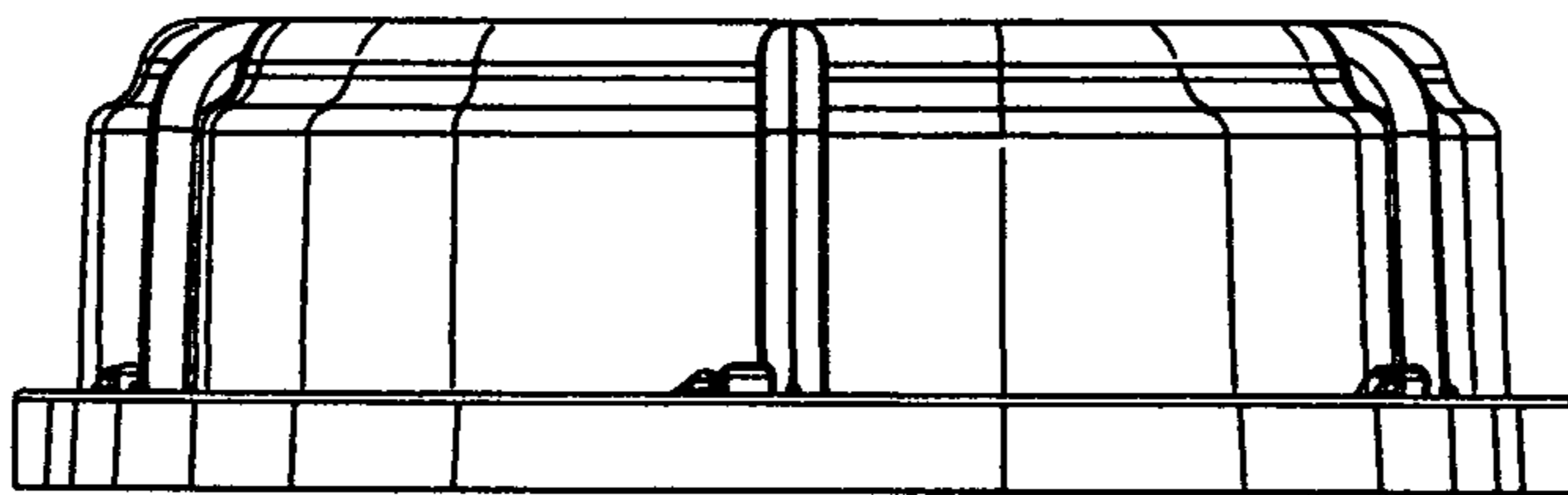


FIG. 6

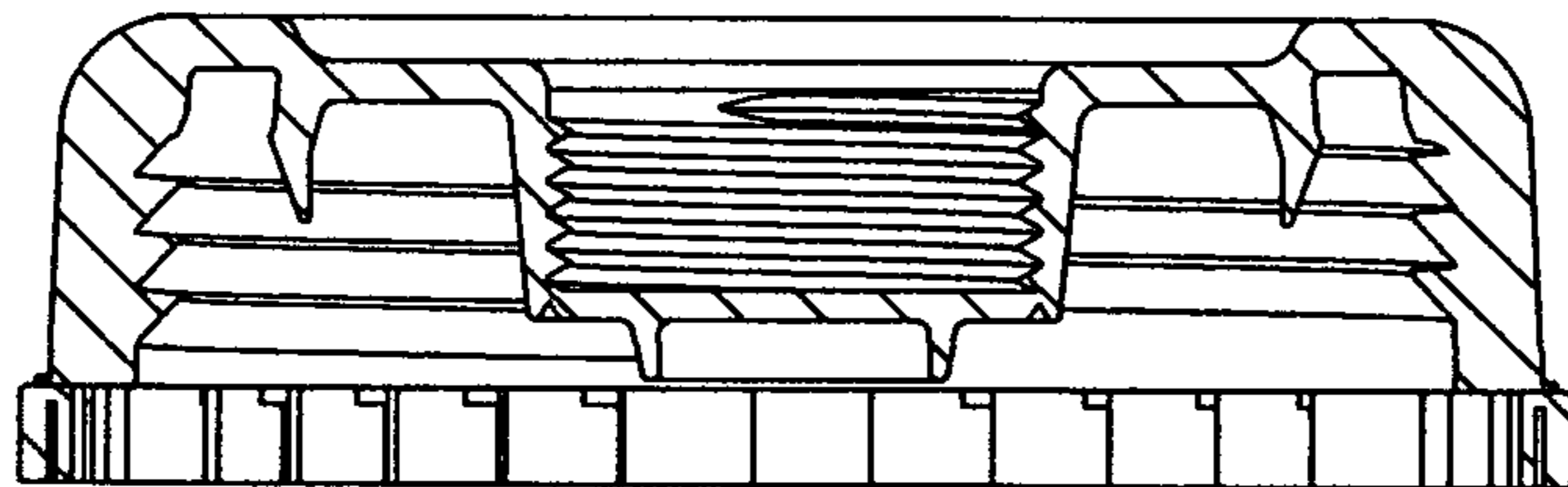


FIG. 7

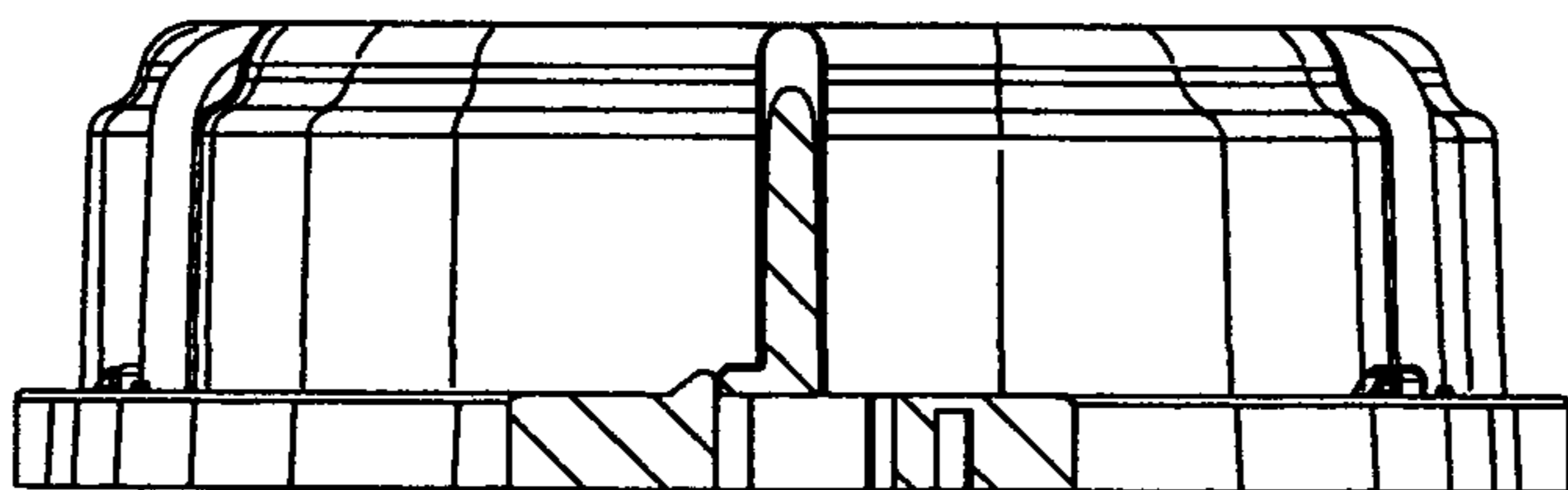


FIG. 8