



US00D687704S

(12) **United States Design Patent**
Knight et al.

(10) **Patent No.:** **US D687,704 S**

(45) **Date of Patent:** **** Aug. 13, 2013**

(54) **PRODUCE CONTAINER TRAY**
(75) Inventors: **Herbert T Knight**, Genoa, IL (US);
Danny Sean Curtis, Naperville, IL (US)
(73) Assignee: **Sonoco Development, Inc.**, Hartsville,
SC (US)

(**) Term: **14 Years**

(21) Appl. No.: **29/416,875**

(22) Filed: **Mar. 28, 2012**

(51) **LOC (9) Cl.** **09-03**

(52) **U.S. Cl.**
USPC **D9/425**

(58) **Field of Classification Search**
USPC D9/414-416, 418-420, 423-432,
D9/435; D7/354, 392.1, 394, 396.1, 538,
D7/543, 545, 550.1, 551, 554.3, 587, 566,
D7/575, 584, 586, 605, 629, 667, 709;
220/4.21-4.24, 574, 602-608, 659, 675,
220/781-782, 793, 835, 839, DIG. 12;
229/401, 406; 206/119, 216, 351, 469, 470,
206/508, 521.1, 525-545, 562, 731-734,
206/775-778, 781, 782, 784, 806, 822, 830;
219/725, 728, 732, 735; D23/359;
D3/272-273, 276, 294, 302, 312, 314; 221/191
See application file for complete search history.

(56) **References Cited**

U.S. PATENT DOCUMENTS

D224,587 S * 8/1972 Jewell D9/425
4,576,278 A 3/1986 Laiewski et al.
5,465,901 A * 11/1995 Paine, Jr. 229/407

D374,819 S * 10/1996 Wells D9/425
D387,558 S * 12/1997 Mann et al. D3/312
D425,704 S * 5/2000 Zamecnik D3/309
6,085,930 A * 7/2000 Curtis 220/371
D429,565 S * 8/2000 Aiken D3/302
D450,925 S * 11/2001 Zamecnik D3/302
D470,048 S * 2/2003 Buchalski et al. D9/425
D554,988 S * 11/2007 Sim D9/425
7,395,923 B2 7/2008 Chou
7,762,400 B2 7/2010 Hall et al.
D629,682 S * 12/2010 Overgaag D9/427
D630,506 S * 1/2011 Short et al. D9/427
7,921,992 B2 4/2011 LaRue et al.
2006/0219578 A1 10/2006 Owensby

* cited by examiner

Primary Examiner — Thomas Johannes

(74) *Attorney, Agent, or Firm* — Miller, Matthias & Hull
LLP

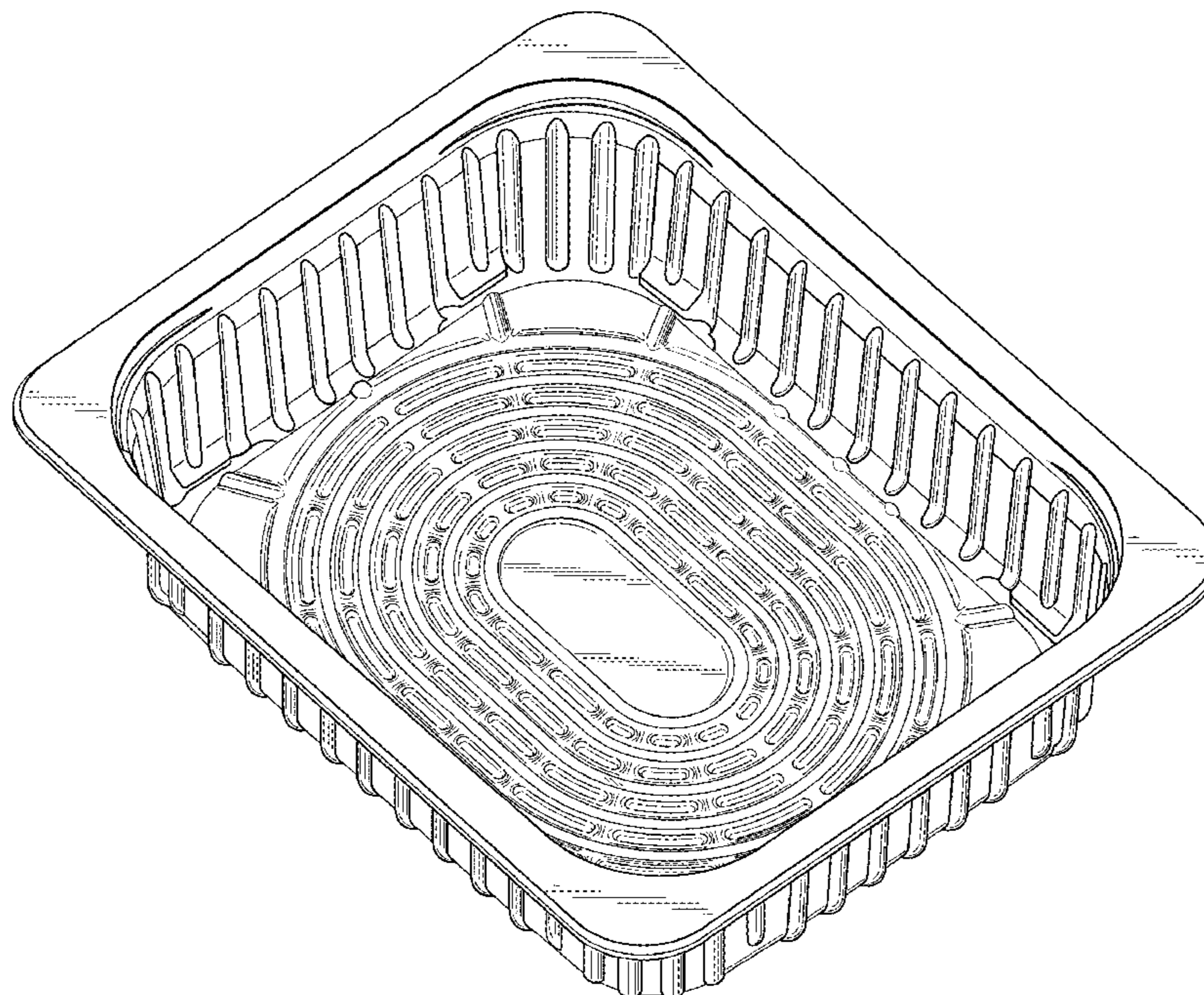
(57) **CLAIM**

The ornamental design for a produce container tray, as shown
and described.

DESCRIPTION

FIG. 1 is a perspective view of a produce container tray
showing our new design;
FIG. 2 is a top plan thereof;
FIG. 3 is a front elevational view thereof, the opposite side
being a mirror image;
FIG. 4 is a right side elevational view thereof, the opposite
side being a mirror image; and,
FIG. 5 is a bottom plan view thereof.

1 Claim, 4 Drawing Sheets



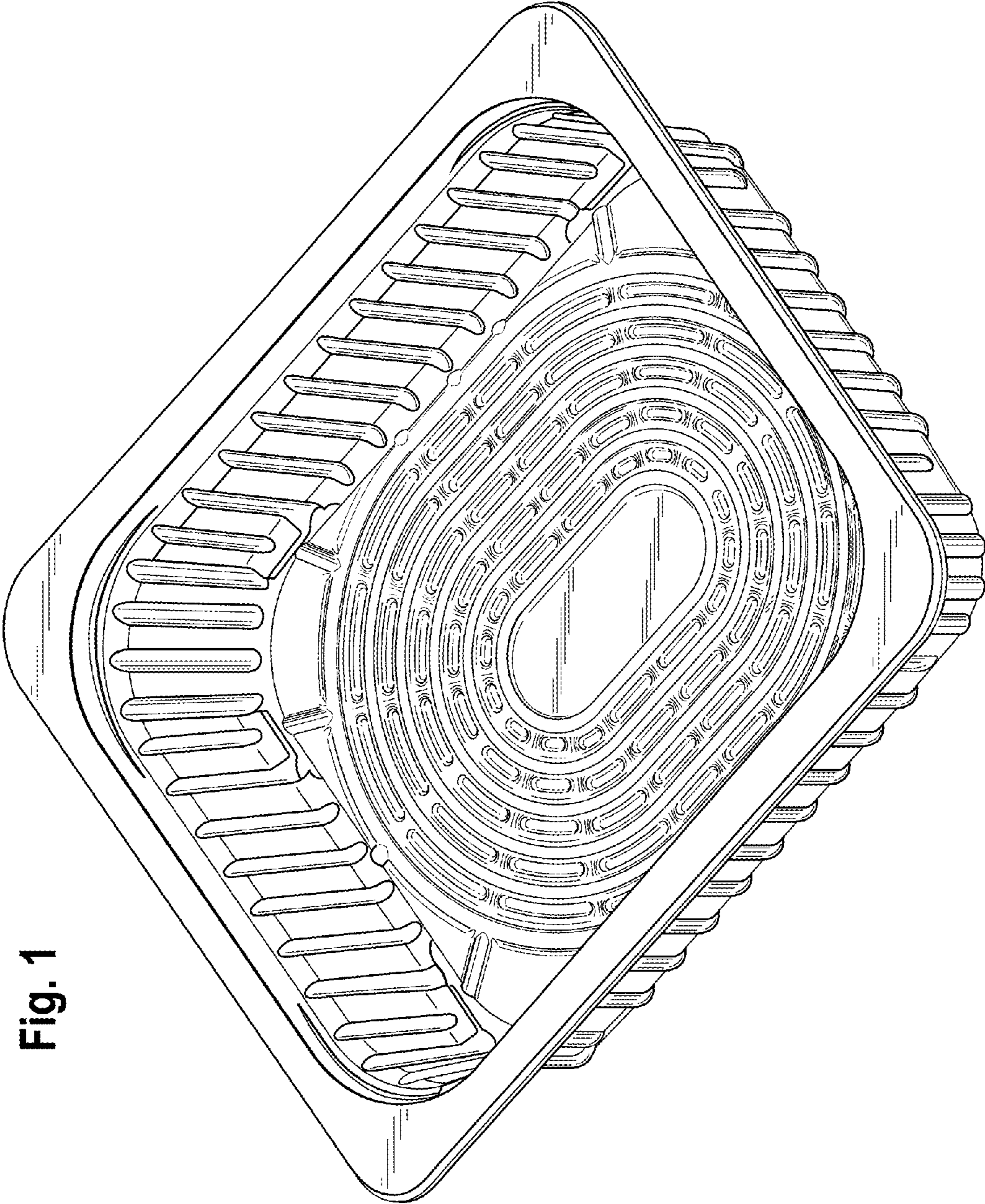


Fig. 1

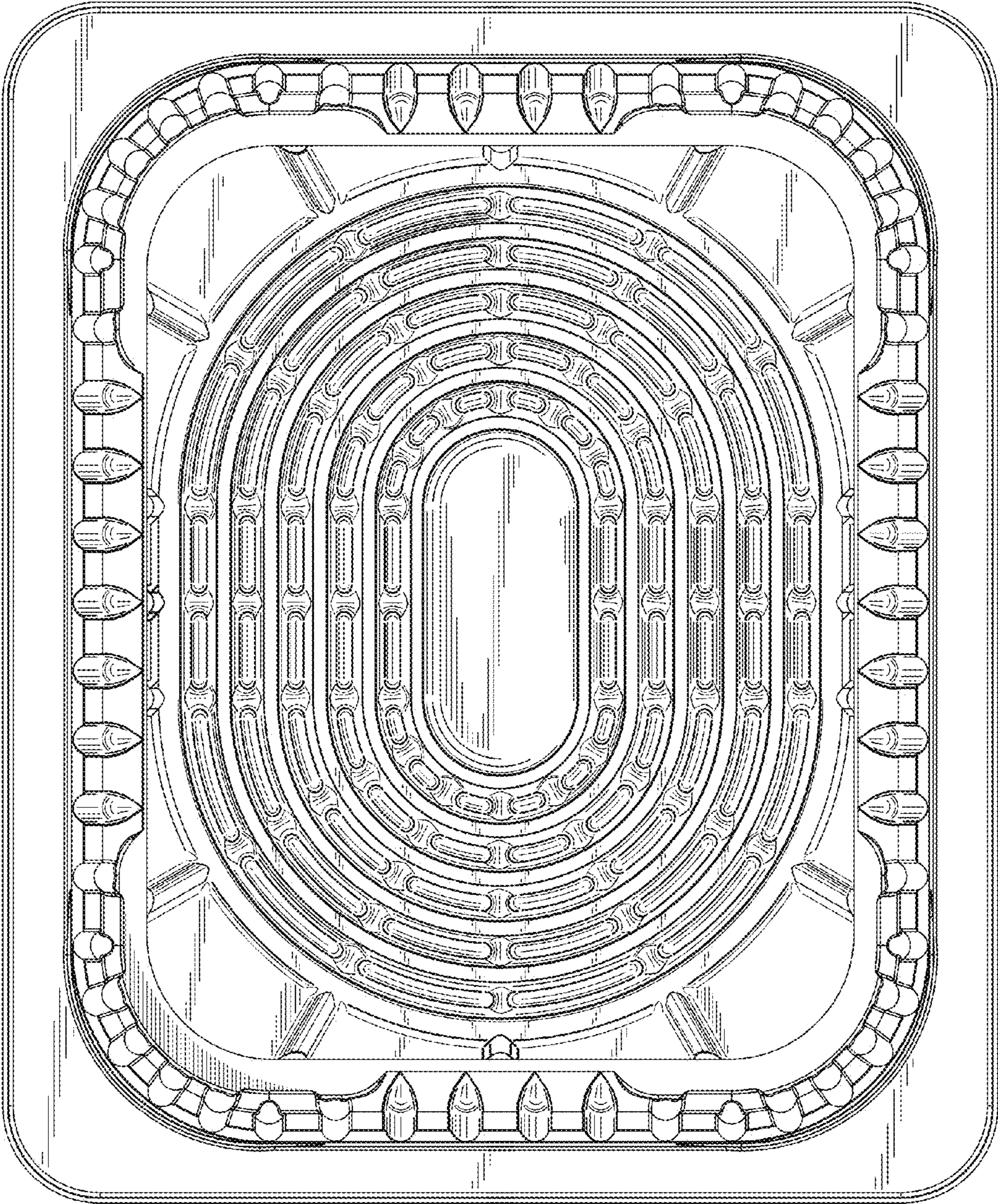


Fig. 2

Fig. 3

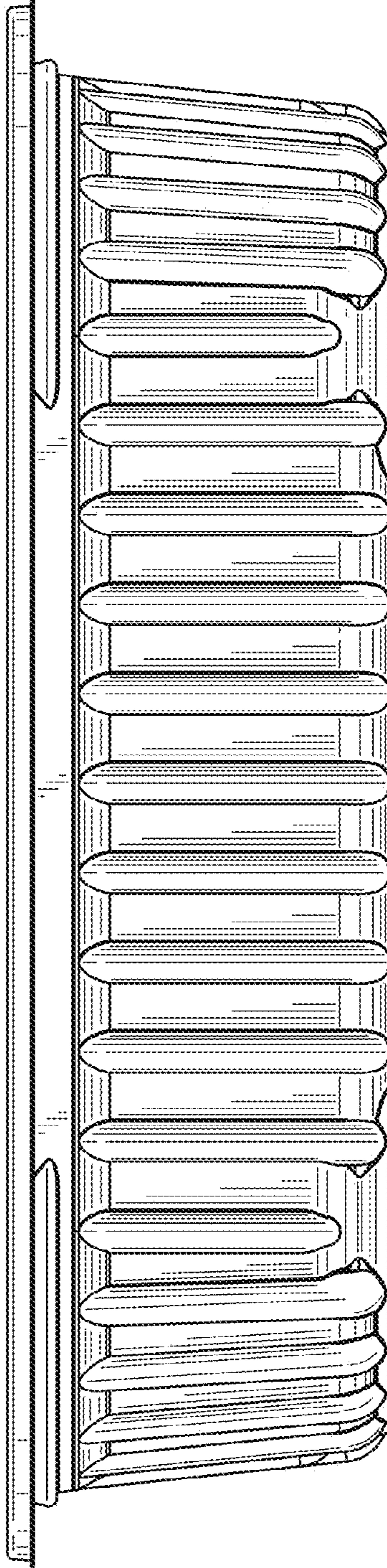
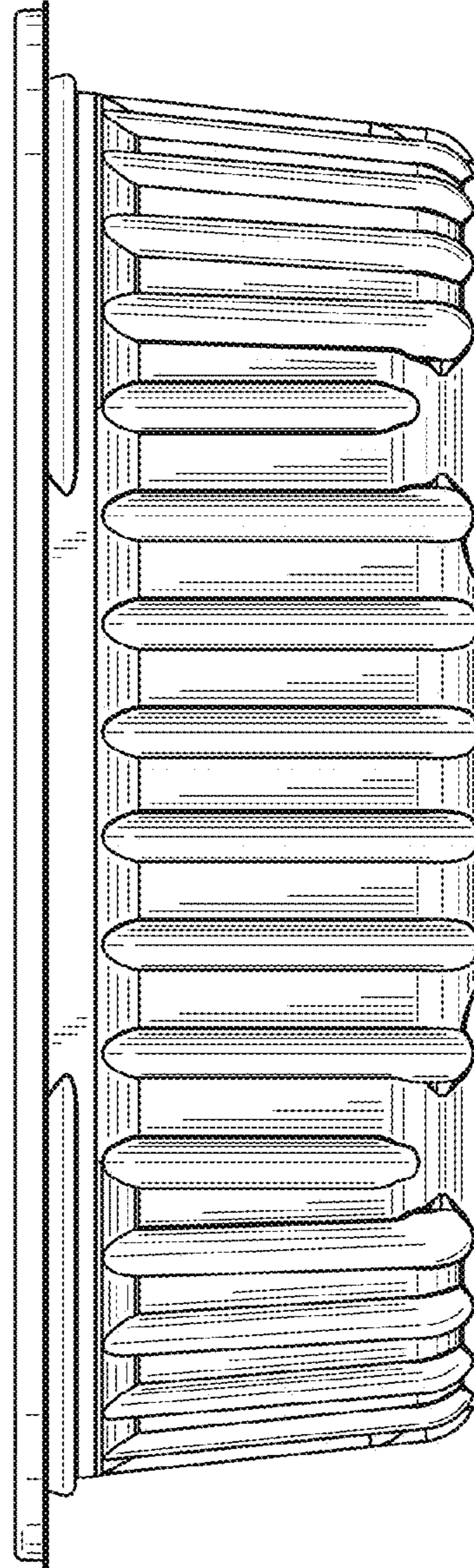


Fig. 4



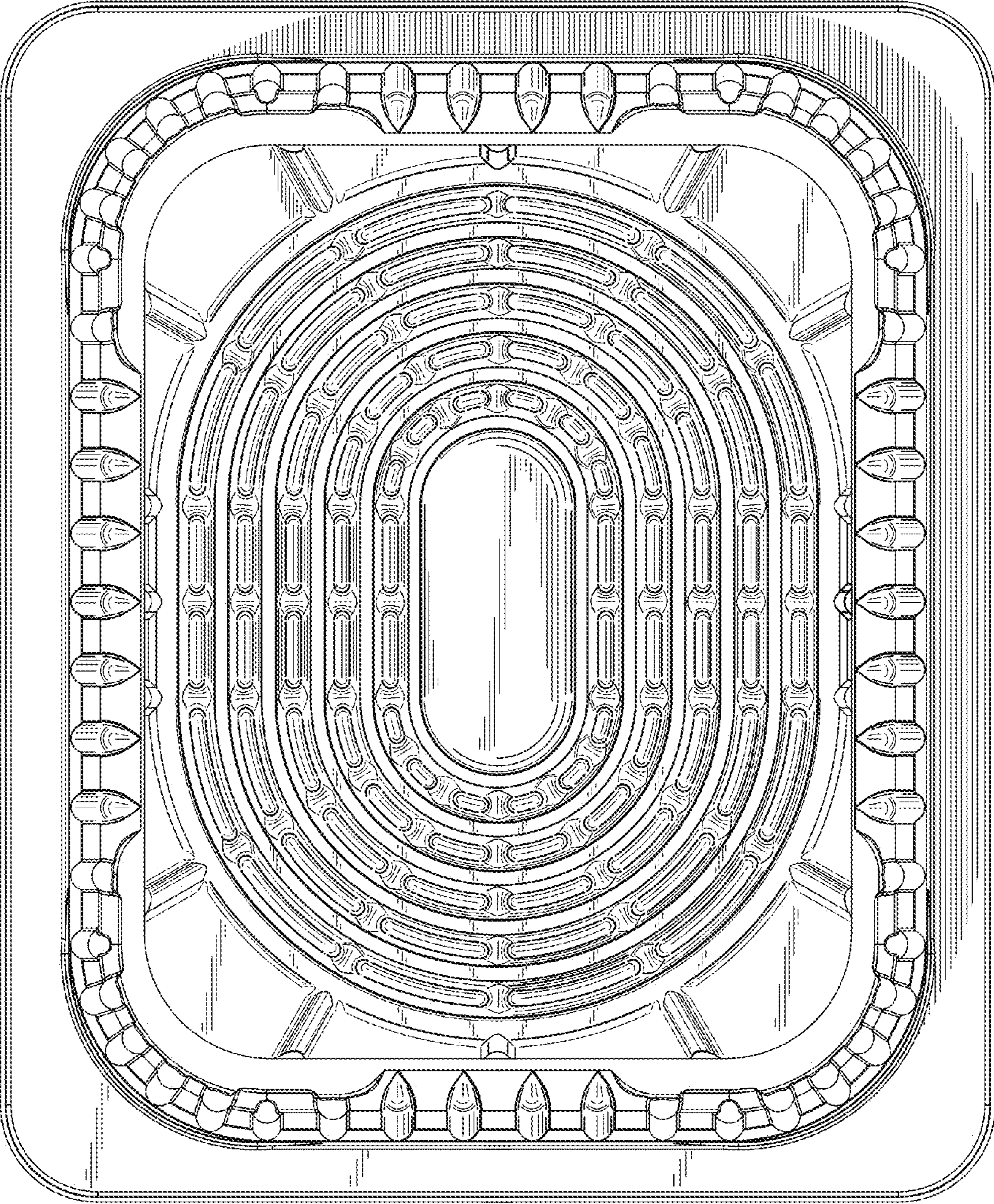


Fig. 5