



US00D687703S

(12) **United States Design Patent**
Hannant et al.

(10) **Patent No.:** **US D687,703 S**
(45) **Date of Patent:** **** Aug. 13, 2013**

(54) **PACKAGING**

(71) Applicant: **Mars, Incorporated**, McLean, VA (US)

(72) Inventors: **Bruce Hannant**, Slough (GB); **Tom Oliver**, Slough (GB); **Chris Weston**, Bath (GB)

(73) Assignee: **Mars, Incorporated**, McLean, VA (US)

(**) Term: **14 Years**

(21) Appl. No.: **29/438,058**

(22) Filed: **Nov. 26, 2012**

Related U.S. Application Data

(62) Division of application No. 29/384,189, filed on Jan. 27, 2011.

(30) **Foreign Application Priority Data**

Jul. 28, 2010 (EM) 001227425-0001/3

(51) **LOC (9) Cl.** **09-03**

(52) **U.S. Cl.**
USPC **D9/420**

(58) **Field of Classification Search**
USPC D9/414, 415, 418, 416, 420, 423,
D9/428, 430-433, 435, 445, 449, 455, 456,
D9/465, 499, 501-503, 522, 529, 645, 651,
D9/688-692, 737-738, 740-742, 744, 751,
D9/755, 711, 756, 760, 727, 758, 749;
D24/216; 220/23.87-23.89, 560.01, 560.1,
220/579; 206/467

See application file for complete search history.

(56) **References Cited**

U.S. PATENT DOCUMENTS

3,010,571	A	*	11/1961	Transport	206/758
3,089,590	A	*	5/1963	Mell	206/467
D202,920	S	*	11/1965	Muesing	D6/518
3,343,743	A	*	9/1967	Hamilton, Jr. et al.	..	229/117.24
6,036,628	A	*	3/2000	Romer	493/57
D423,345	S	*	4/2000	Sugarman	D9/423
D438,105	S	*	2/2001	Conner et al.	D9/430
D443,749	S	*	6/2001	Albuquerque et al.	D99/5
D509,728	S	*	9/2005	Kato	D9/415
D556,053	S	*	11/2007	Keberlein et al.	D9/734
D568,762	S	*	5/2008	Keberlein	D9/734
D568,763	S	*	5/2008	Keberlein	D9/734
D585,736	S	*	2/2009	Dowd	D9/431

* cited by examiner

Primary Examiner — Robert M Spear

Assistant Examiner — Rhea Shields

(74) *Attorney, Agent, or Firm* — Arent Fox LLP

(57) **CLAIM**

The ornamental design for a packaging, as shown and described.

DESCRIPTION

FIG. 1 is a perspective view of a packaging showing our new design,

FIG. 2 is a front view of the design shown in FIG. 1;

FIG. 3 is a rear view of the design shown in FIG. 1;

FIG. 4 is a left side view of the design shown in FIG. 1, the right side view being a mirror image thereof;

FIG. 5 is a top view of the design shown in FIG. 1;

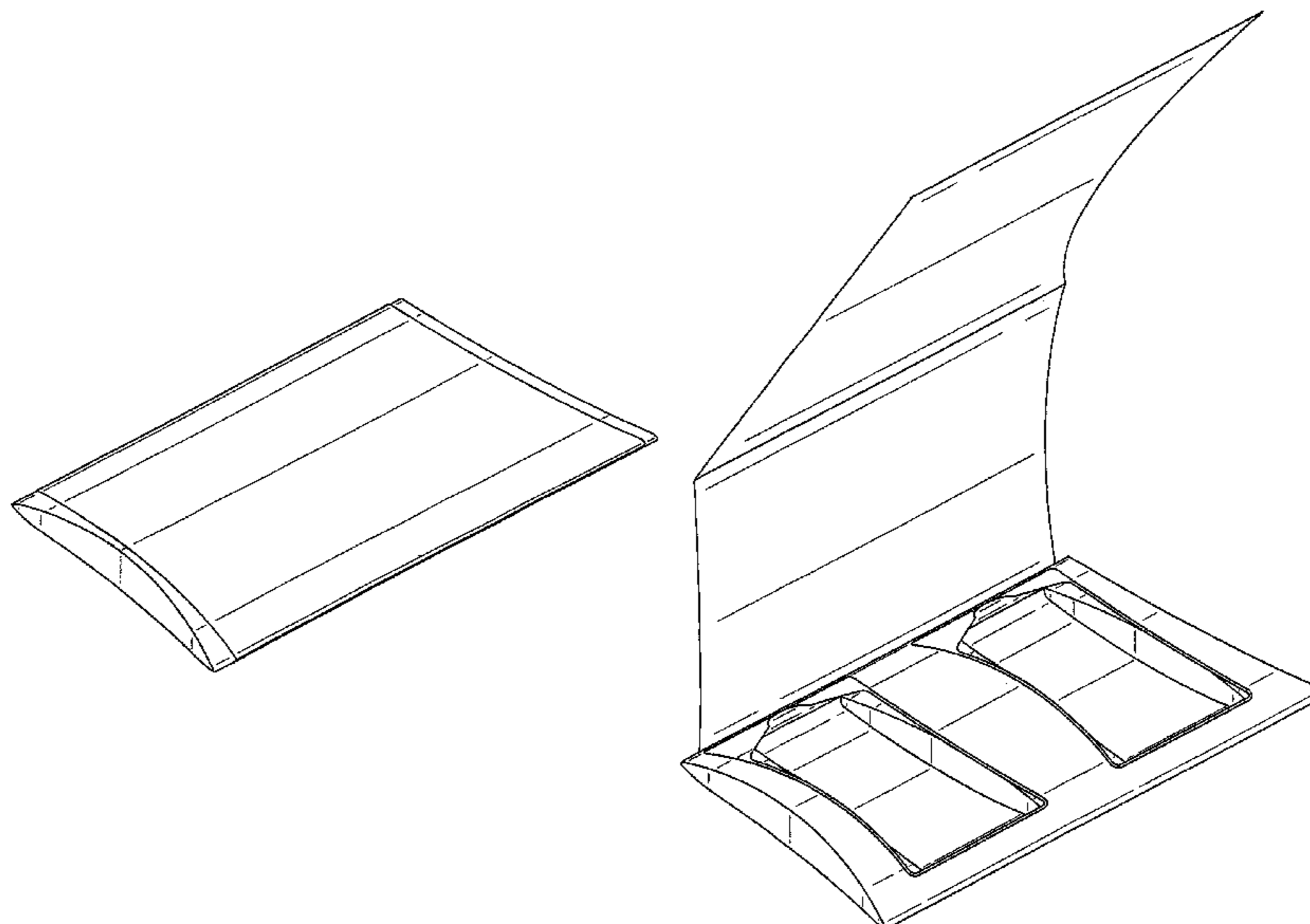
FIG. 6 is a bottom view of the design shown in FIG. 1;

FIG. 7 is a perspective view of the design shown in FIG. 1 with a flap in the open position; and,

FIG. 8 is a perspective view of the design shown in FIG. 7 with a flap in the open position and a removable closure member.

The broken lines shown in FIG. 8 illustrate the perforated edges of two unclaimed closures member(s) and form no part of the claimed design.

1 Claim, 7 Drawing Sheets



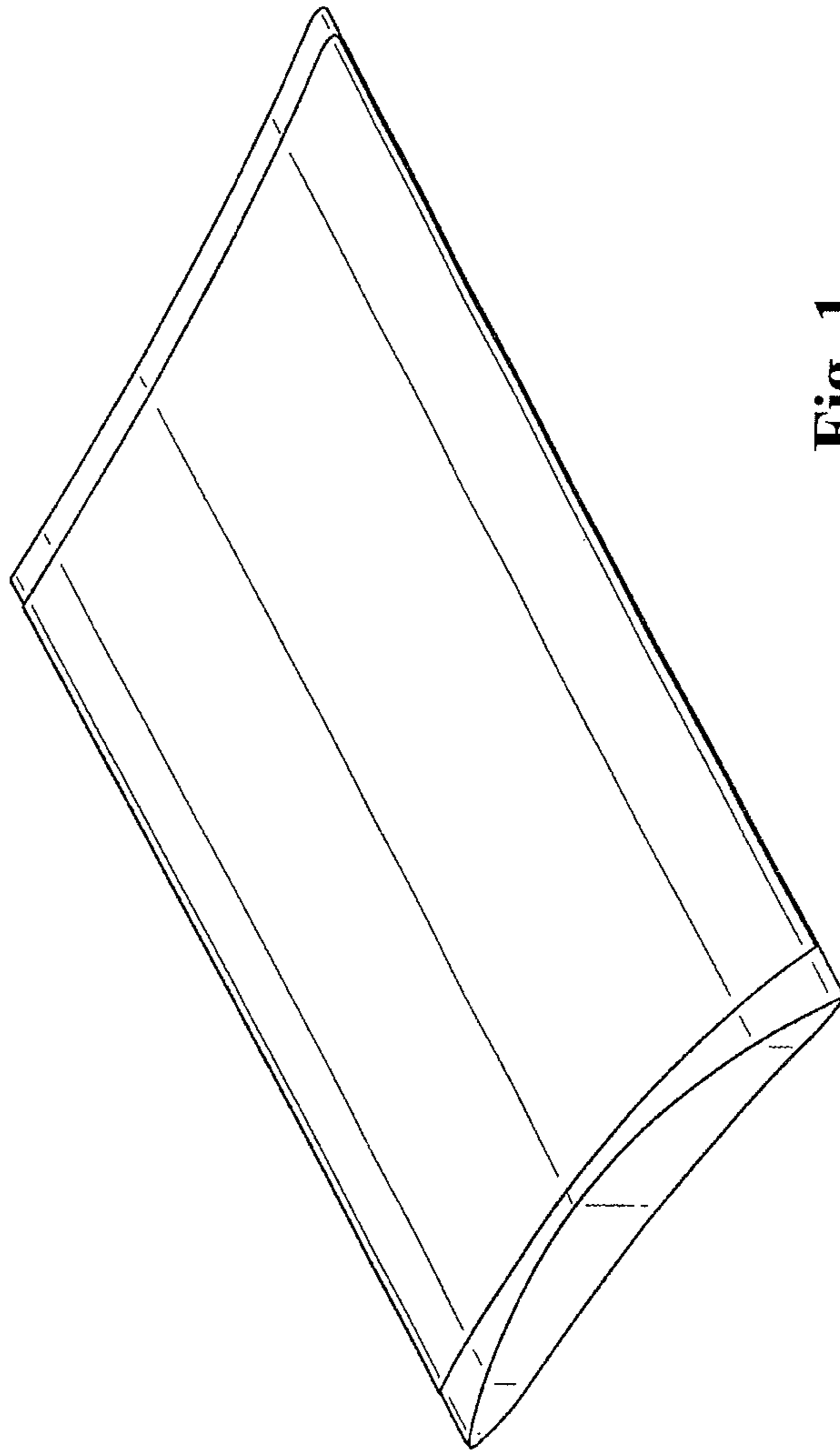


Fig. 1

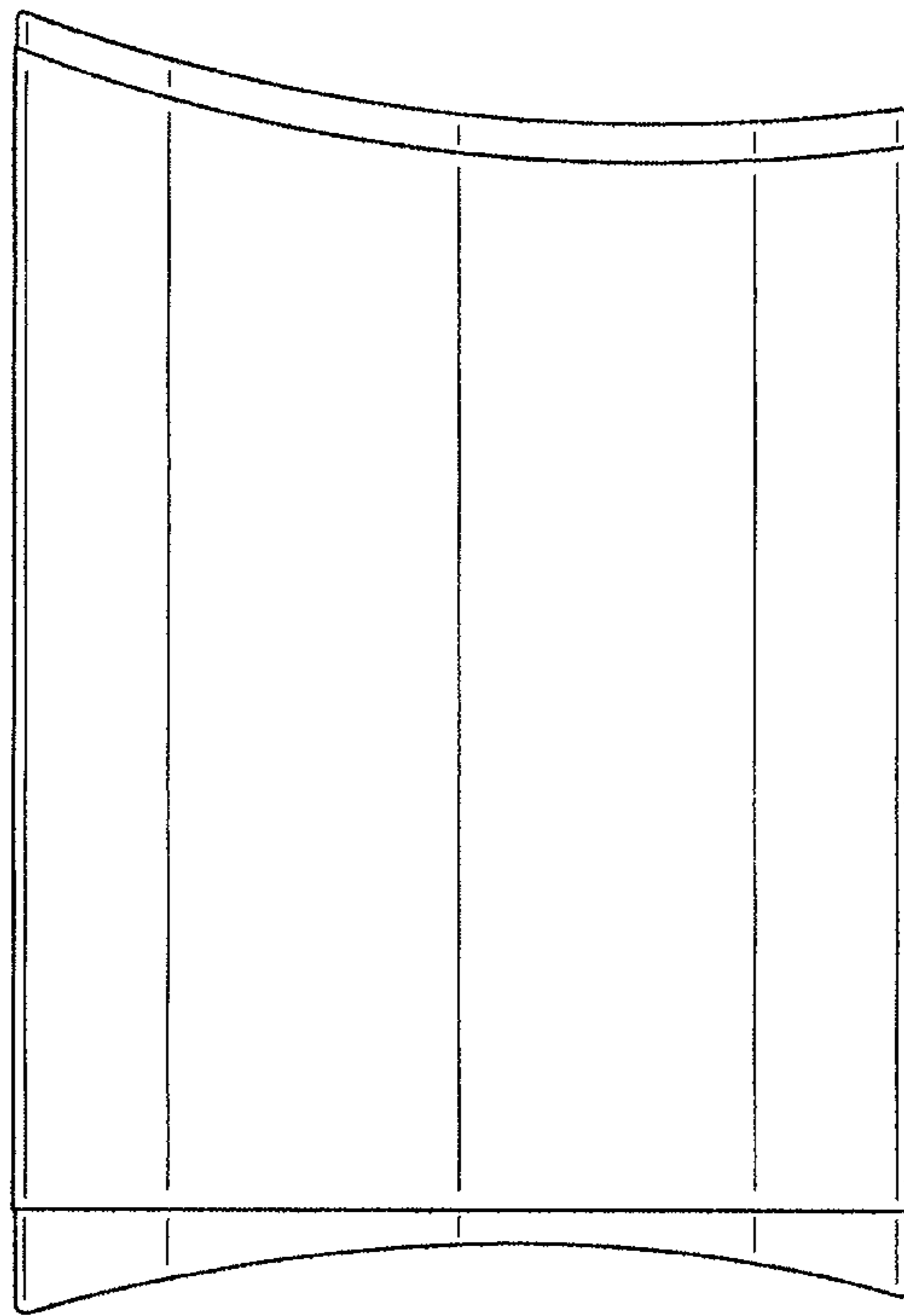


Fig. 2

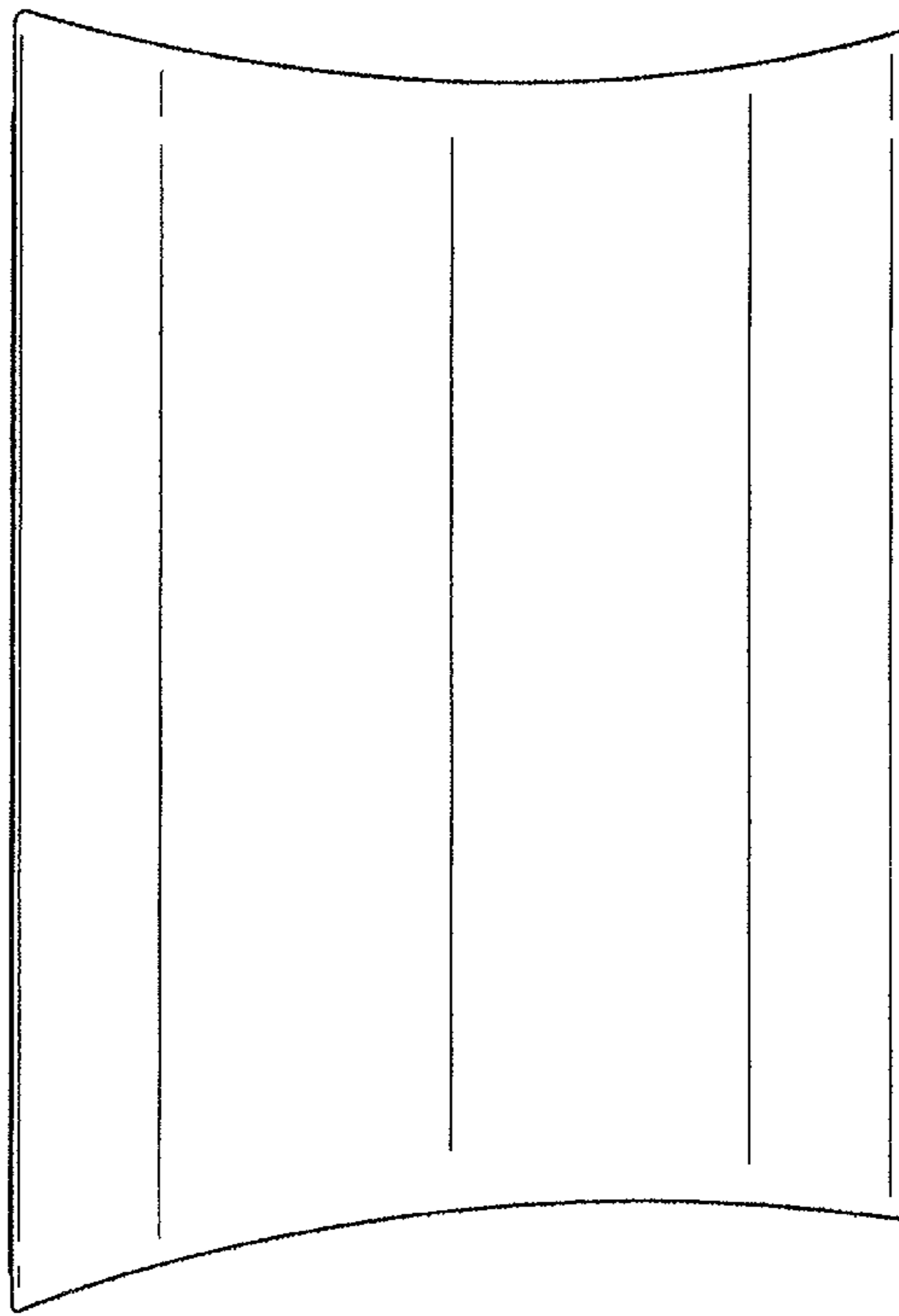


Fig. 3

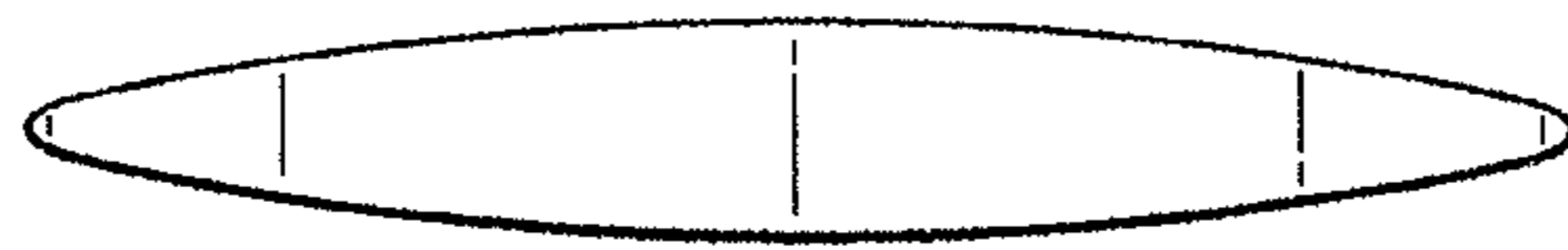


Fig. 4

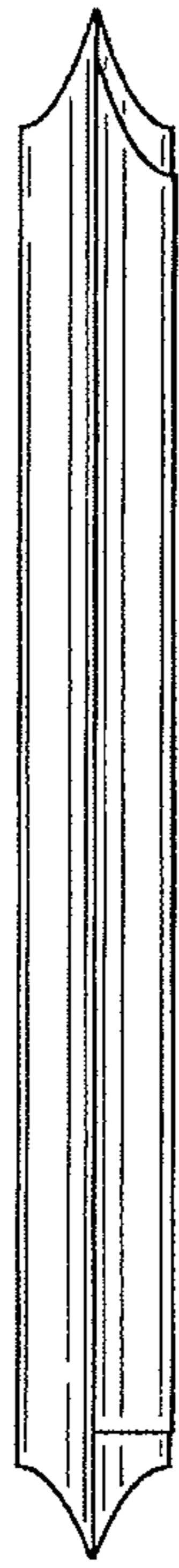


Fig. 5



Fig. 6

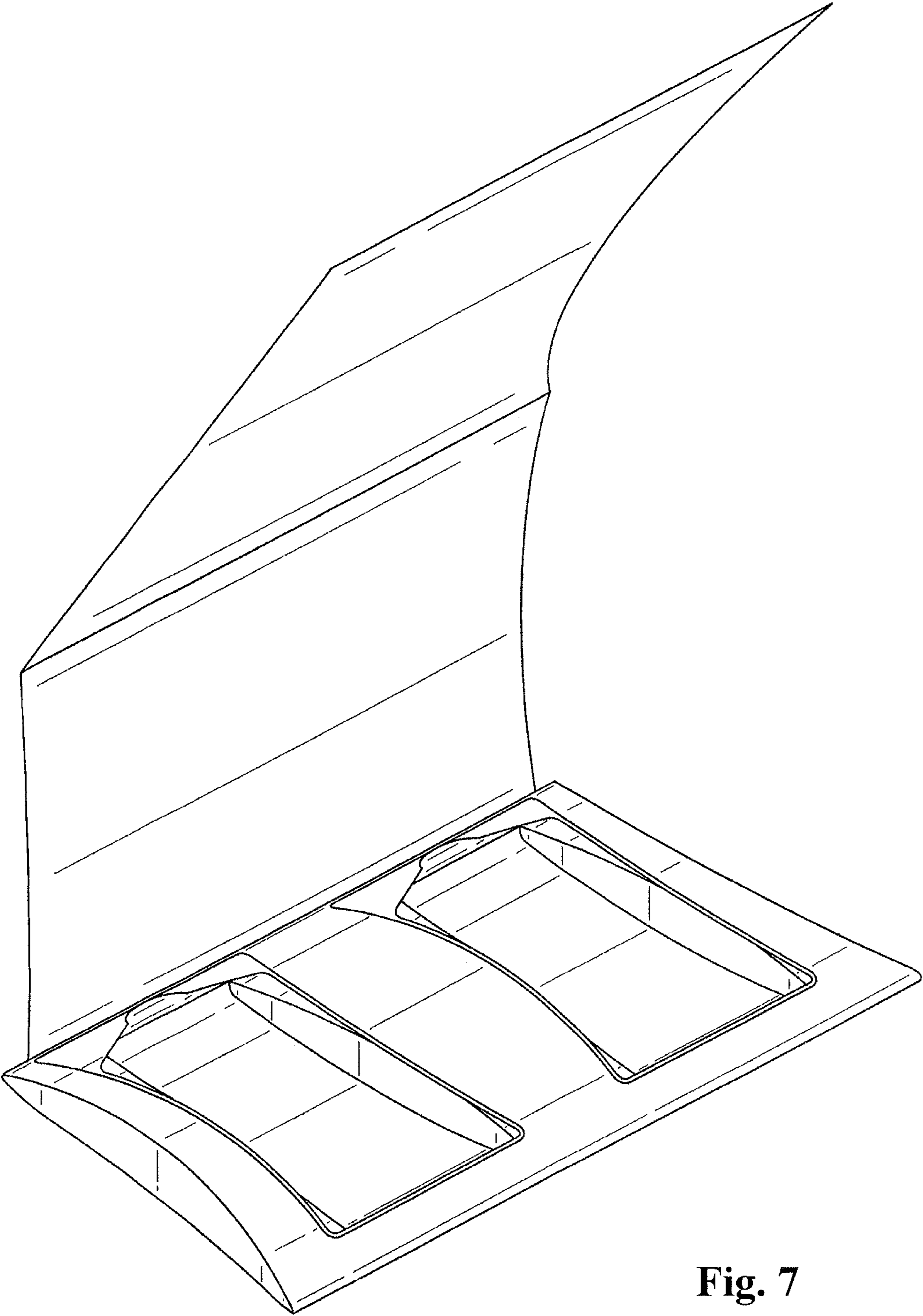


Fig. 7

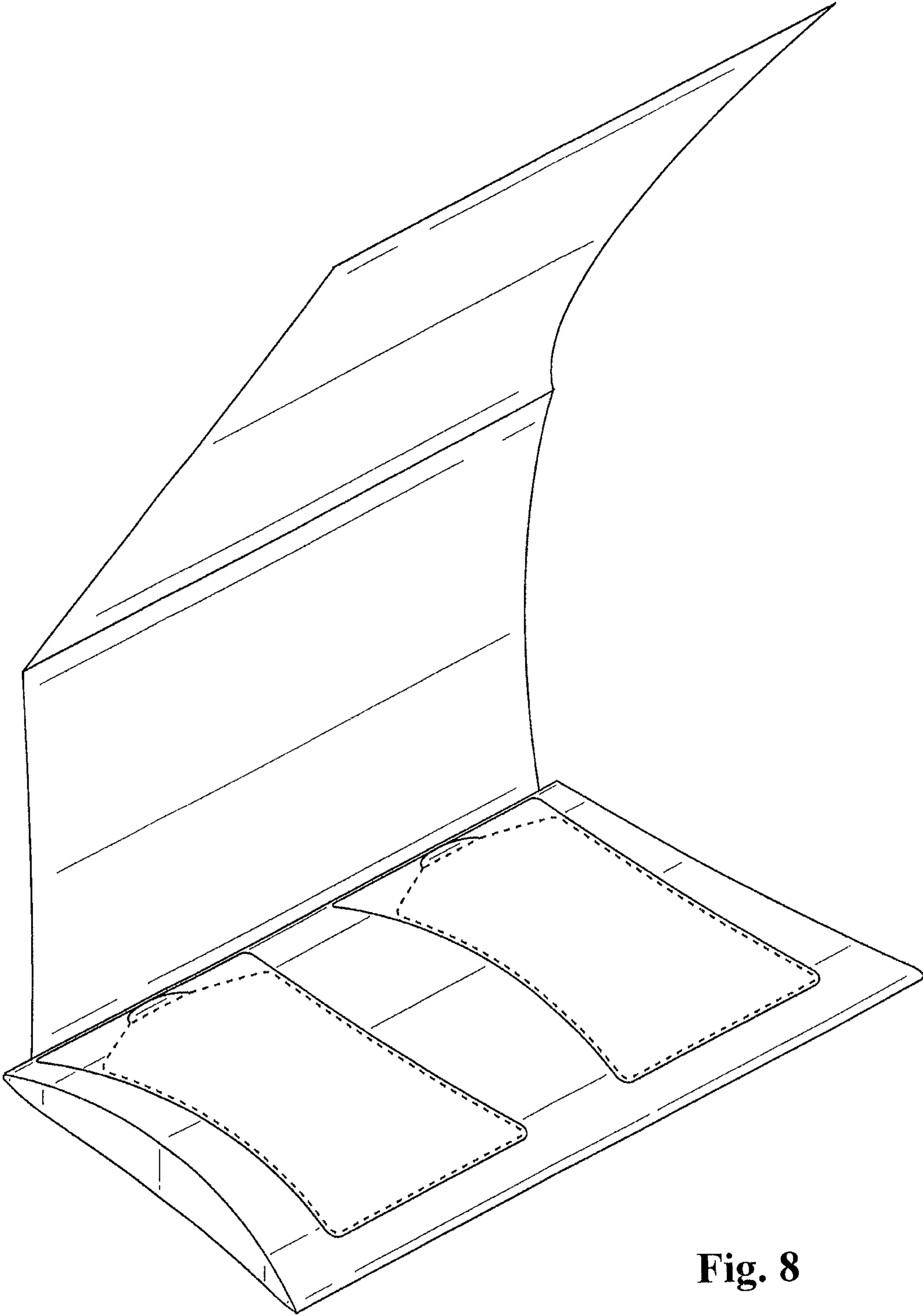


Fig. 8