



US00D687702S

(12) **United States Design Patent**  
**Yates**

(10) **Patent No.:** **US D687,702 S**

(45) **Date of Patent:** **\*\* Aug. 13, 2013**

(54) **HOSE CLIP**

(75) Inventor: **Philip Yates**, Wigan (GB)

(73) Assignee: **Joy MM Delaware, Inc.**, Wilmington, DE (US)

(\*\*) Term: **14 Years**

(21) Appl. No.: **29/391,439**

(22) Filed: **May 9, 2011**

(51) **LOC (9) Cl.** ..... **08-08**

(52) **U.S. Cl.**  
USPC ..... **D8/396**

(58) **Field of Classification Search**  
USPC ..... D8/354, 356, 371, 394-396; D19/65, D19/86; D24/128; 248/74.2, 215, 227.1, 248/49, 300, 301, 316.7, 51, 489; 24/570, 24/3.12; D32/61; D11/78.1  
See application file for complete search history.

(56) **References Cited**

**U.S. PATENT DOCUMENTS**

|           |      |         |                  |       |         |
|-----------|------|---------|------------------|-------|---------|
| D207,603  | S *  | 5/1967  | Blakely          | ..... | D8/396  |
| 4,116,572 | A *  | 9/1978  | Heldmann et al.  | ..... | 403/7   |
| 4,240,654 | A    | 12/1980 | Gladieux         |       |         |
| D309,094  | S *  | 7/1990  | Donis et al.     | ..... | D8/354  |
| D332,567  | S *  | 1/1993  | Taylor           | ..... | D8/396  |
| 5,441,313 | A    | 8/1995  | Kalahasthy       |       |         |
| 5,518,276 | A    | 5/1996  | Gunderson        |       |         |
| D383,053  | S *  | 9/1997  | Schrader et al.  | ..... | D8/382  |
| D383,378  | S *  | 9/1997  | Schrader et al.  | ..... | D8/382  |
| 5,863,077 | A    | 1/1999  | Szabo et al.     |       |         |
| 6,065,779 | A    | 5/2000  | Moner et al.     |       |         |
| 6,145,887 | A    | 11/2000 | Cambot-Courrau   |       |         |
| 6,186,557 | B1   | 2/2001  | Funk             |       |         |
| 6,231,089 | B1   | 5/2001  | DeCler et al.    |       |         |
| D443,815  | S *  | 6/2001  | Adriaenssens     | ..... | D8/396  |
| 6,413,006 | B1 * | 7/2002  | Neugart          | ..... | 403/344 |
| 6,604,760 | B2   | 8/2003  | Cresswell et al. |       |         |
| D480,953  | S *  | 10/2003 | Lee et al.       | ..... | D8/399  |

|              |      |         |                |       |          |
|--------------|------|---------|----------------|-------|----------|
| 6,634,679    | B1   | 10/2003 | Stieler        |       |          |
| 6,637,781    | B1   | 10/2003 | Seymour, II    |       |          |
| D516,417     | S *  | 3/2006  | Gimpel et al.  | ..... | D8/396   |
| 7,074,135    | B2 * | 7/2006  | Moore          | ..... | 473/296  |
| D546,750     | S *  | 7/2007  | Kroeker        | ..... | D12/223  |
| D587,633     | S *  | 3/2009  | Parrett et al. | ..... | D12/119  |
| 7,497,477    | B2   | 3/2009  | Pepe           |       |          |
| 7,533,908    | B2   | 5/2009  | Vogel et al.   |       |          |
| 7,967,342    | B2   | 6/2011  | Gunderson      |       |          |
| D648,836     | S *  | 11/2011 | Drenth         | ..... | D23/269  |
| D654,348     | S *  | 2/2012  | Musselman      | ..... | D8/349   |
| D665,471     | S *  | 8/2012  | Fossum et al.  | ..... | D21/753  |
| 2004/0151538 | A1 * | 8/2004  | Landwehr       | ..... | 403/290  |
| 2006/0270487 | A1 * | 11/2006 | Tu Teng        | ..... | 473/256  |
| 2008/0156139 | A1 * | 7/2008  | Lai            | ..... | 74/551.9 |

**FOREIGN PATENT DOCUMENTS**

GB 1416877 11/1972

*Primary Examiner* — John Windmuller

(74) *Attorney, Agent, or Firm* — Michael Best & Friedrich LLP

\* cited by examiner

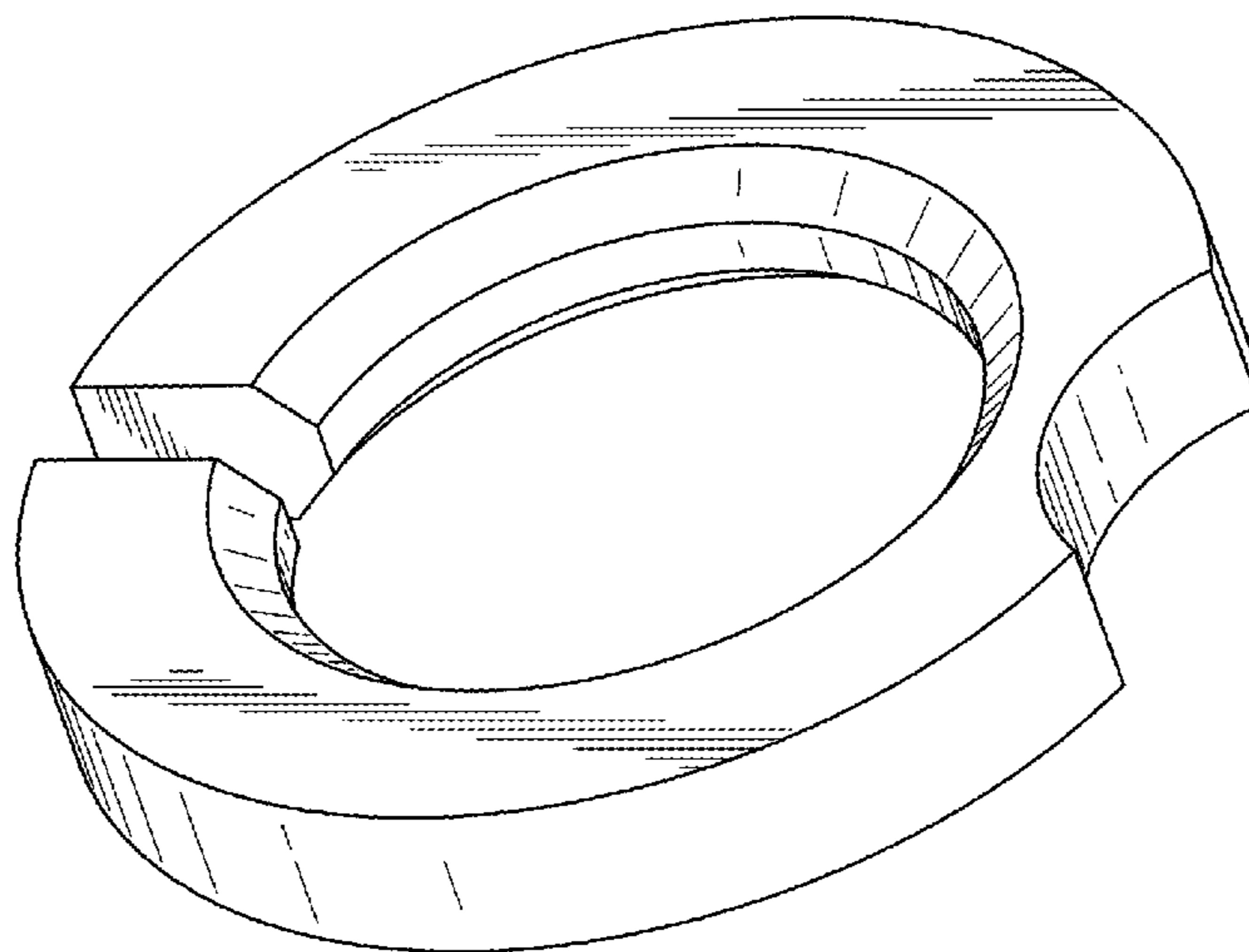
(57) **CLAIM**

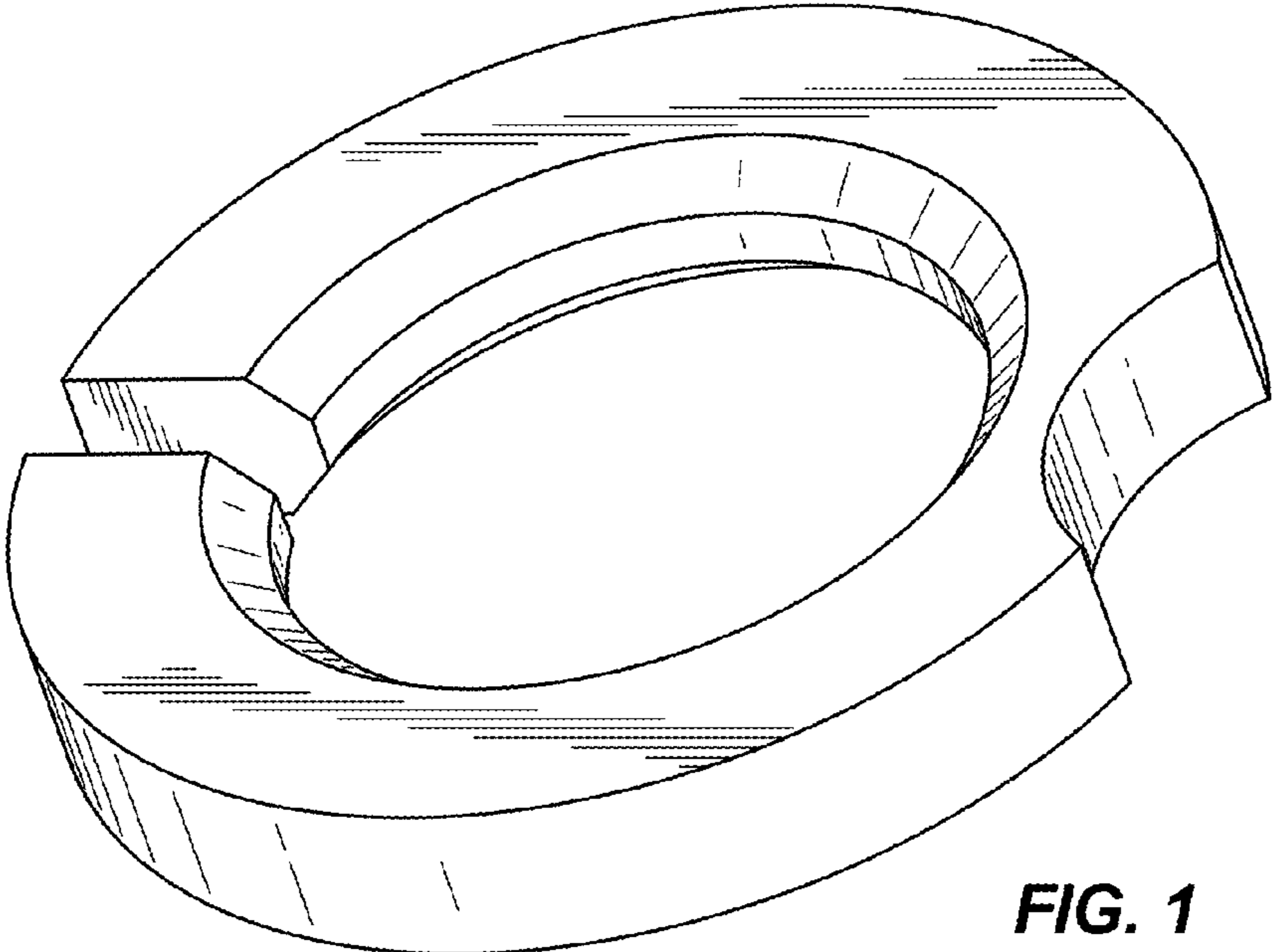
I claim the ornamental design for a hose clip, as shown and described.

**DESCRIPTION**

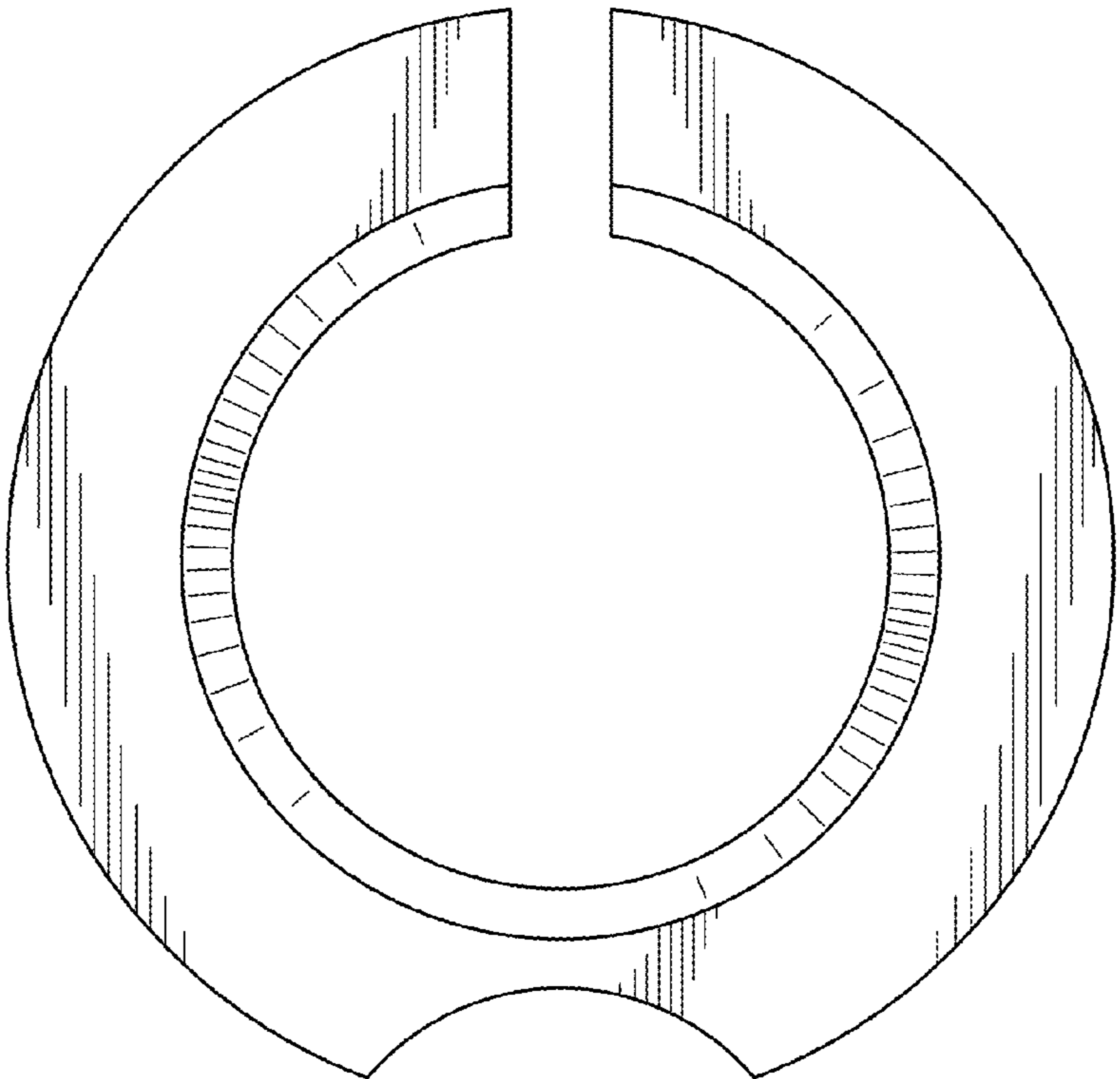
FIG. 1 is a perspective view of a clip according to the invention.  
FIG. 2 is a top view of the clip of FIG. 1.  
FIG. 3 is a right side view of the clip of FIG. 1.  
FIG. 4 is a front view of the clip of FIG. 1; and,  
FIG. 5 is a rear view of the clip of FIG. 1.  
The left side view of the clip is a mirror image of the right side view, and the bottom view of the clip is a mirror image of the top view. Therefore, the left side and bottom views have been omitted.

**1 Claim, 2 Drawing Sheets**

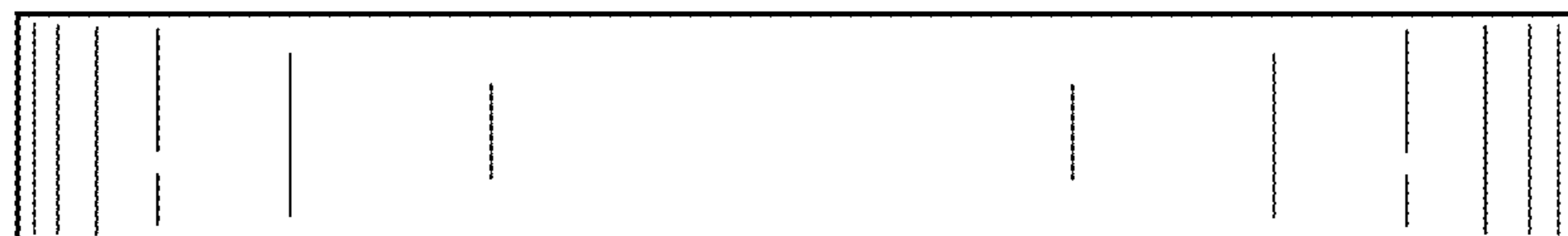




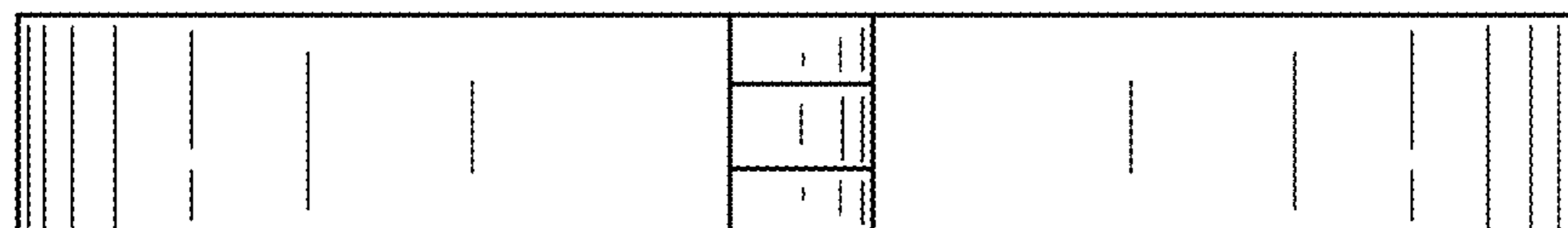
**FIG. 1**



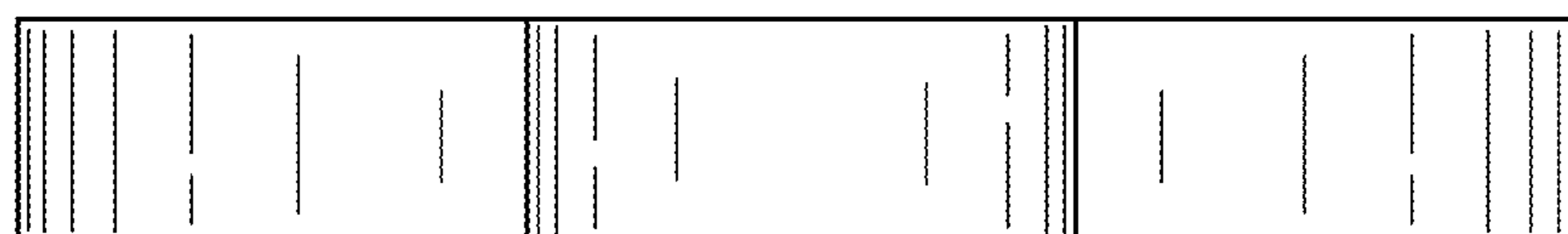
**FIG. 2**



**FIG. 3**



**FIG. 4**



**FIG. 5**