



US00D687700S

(12) **United States Design Patent**
Petzl

(10) **Patent No.:** **US D687,700 S**

(45) **Date of Patent:** **** Aug. 13, 2013**

(54) **MICRO TRAXION PROGRESS CAPTURE PULLEY**

(75) Inventor: **Paul Petzl**, Barraux (FR)

(73) Assignee: **Zedel**, Crolles (FR)

(**) Term: **14 Years**

(21) Appl. No.: **29/427,194**

(22) Filed: **Jul. 16, 2012**

(30) **Foreign Application Priority Data**

Jan. 24, 2012 (EM) 001980426

(51) **LOC (9) Cl.** **08-05**

(52) **U.S. Cl.**
USPC **D8/360**

(58) **Field of Classification Search**
USPC D8/356, 367, 354, 349, 394, 373,
D8/360, 359; D24/128; D25/99; 24/455;
248/62, 63, 65, 74.1, 74.2, 75, 313, 316.1,
248/229.26; D11/218; 211/119.04, 119.05;
384/417; 254/391
See application file for complete search history.

(56) **References Cited**

U.S. PATENT DOCUMENTS

5,368,281 A * 11/1994 Skyba 254/391
5,435,044 A * 7/1995 Ida 24/136 R
D362,614 S * 9/1995 Kingery D8/360
6,092,791 A * 7/2000 Kingery 254/371
D431,449 S * 10/2000 Mihailovic D8/360
D565,936 S * 4/2008 Spadotto D8/358
D572,099 S * 7/2008 Fontaine et al. D8/44

D626,812 S * 11/2010 Macsay et al. D8/60
D650,260 S * 12/2011 Petzl D8/356
D658,487 S * 5/2012 Chih D8/360
D666,475 S * 9/2012 Gaiti D8/358
2006/0096067 A1* 5/2006 Fontaine et al. 24/130
2009/0114893 A1* 5/2009 Lange 254/390

* cited by examiner

Primary Examiner — Cynthia Underwood

(74) *Attorney, Agent, or Firm* — Oliff & Berridge, PLC

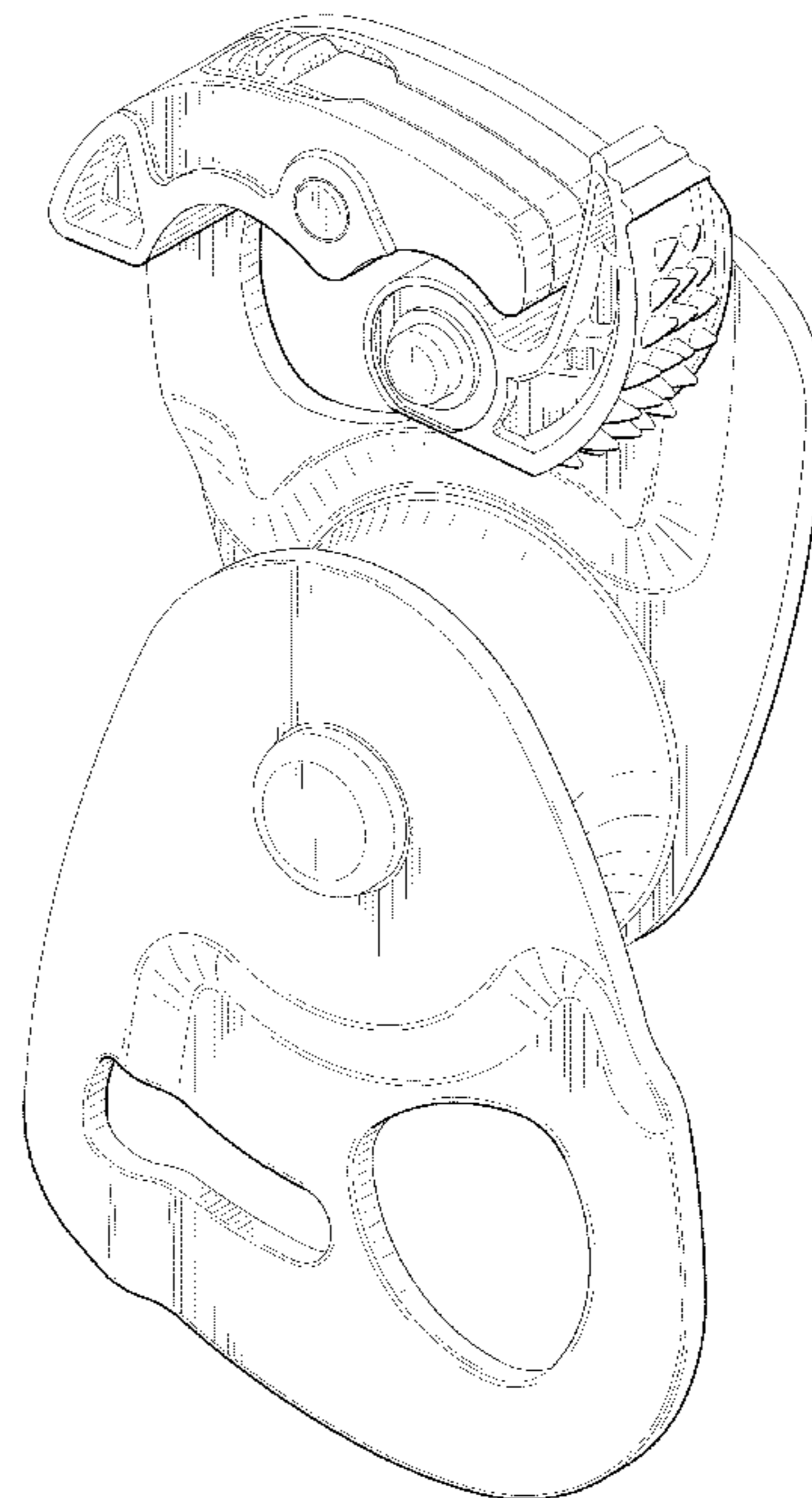
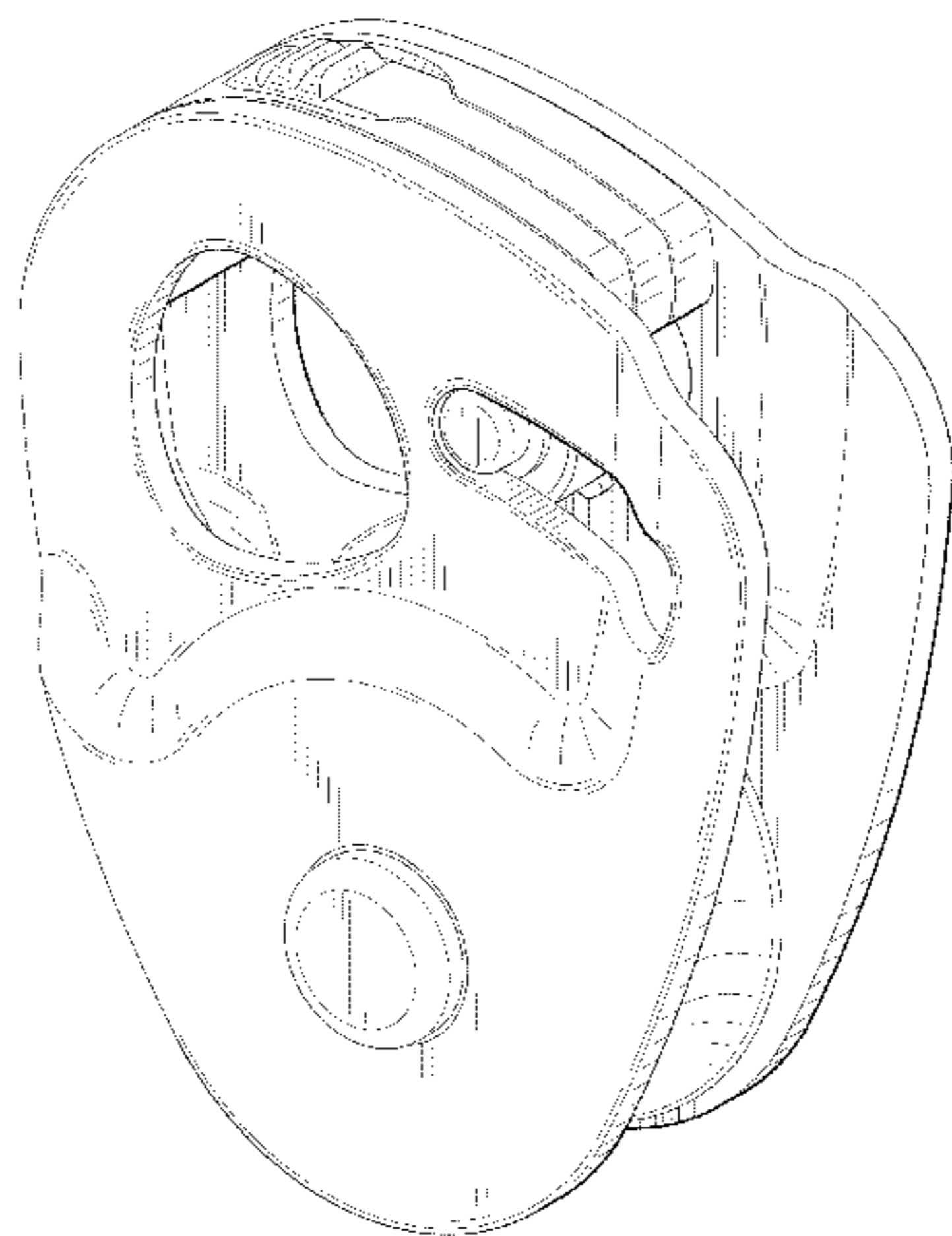
(57) **CLAIM**

The ornamental design for a micro traxion progress capture pulley, as shown and described.

DESCRIPTION

FIG. 1 is a front, top, right-side perspective view of a micro traxion progress capture pulley;
FIG. 2 is a front view thereof;
FIG. 3 is a top view thereof;
FIG. 4 is a right-side view thereof;
FIG. 5 is a left-side view thereof;
FIG. 6 is a rear view thereof;
FIG. 7 is a bottom view thereof;
FIG. 8 is a front, top, right-side perspective view thereof with an engagement portion extended in an alternate configuration of use; and,
FIG. 9 is a front, top, right-side perspective view thereof with a front side portion rotated and the engagement portion extended into another alternate configuration of use.
The broken lines depict environmental subject matter only and form no part of the claimed design.

1 Claim, 7 Drawing Sheets



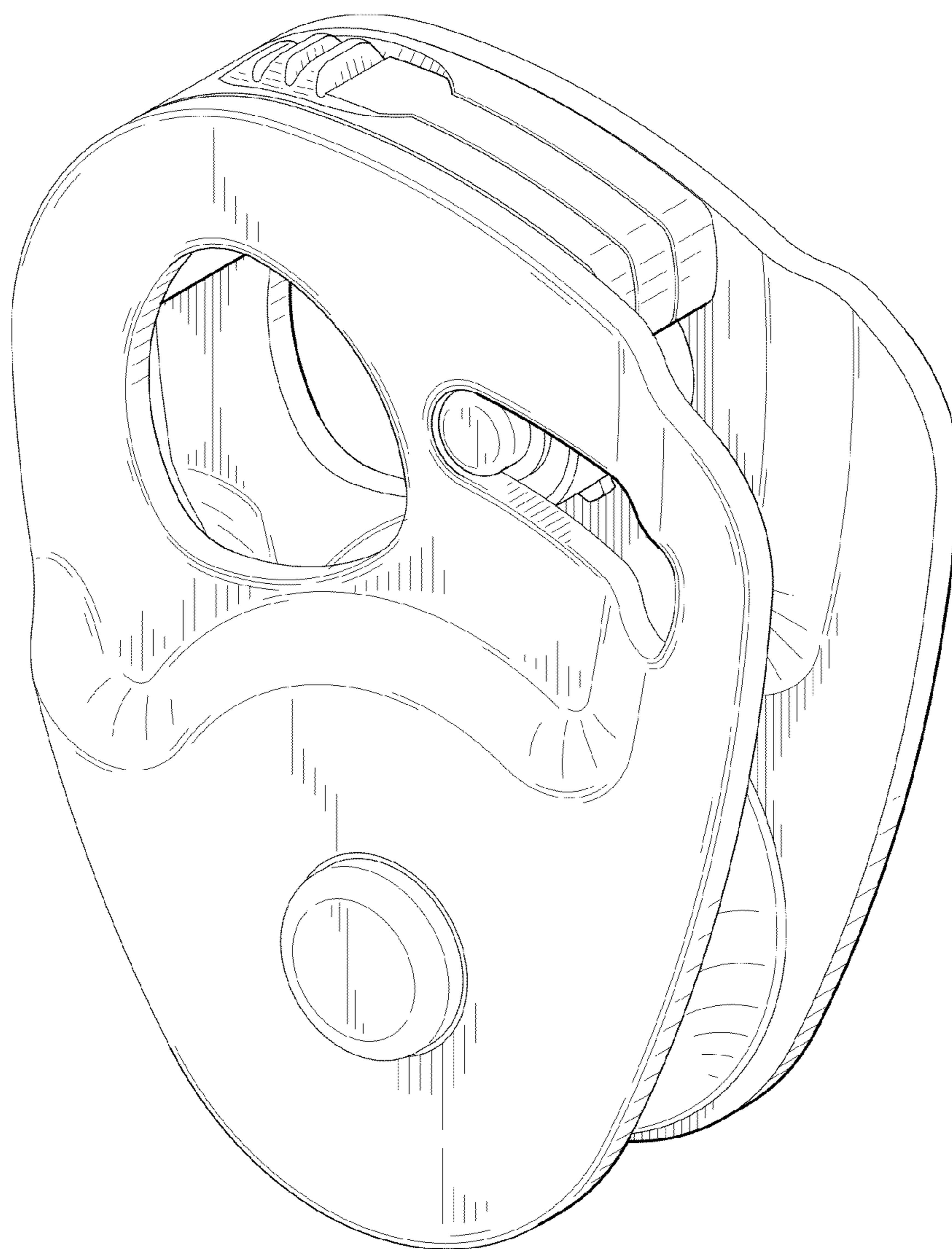


FIG. 1

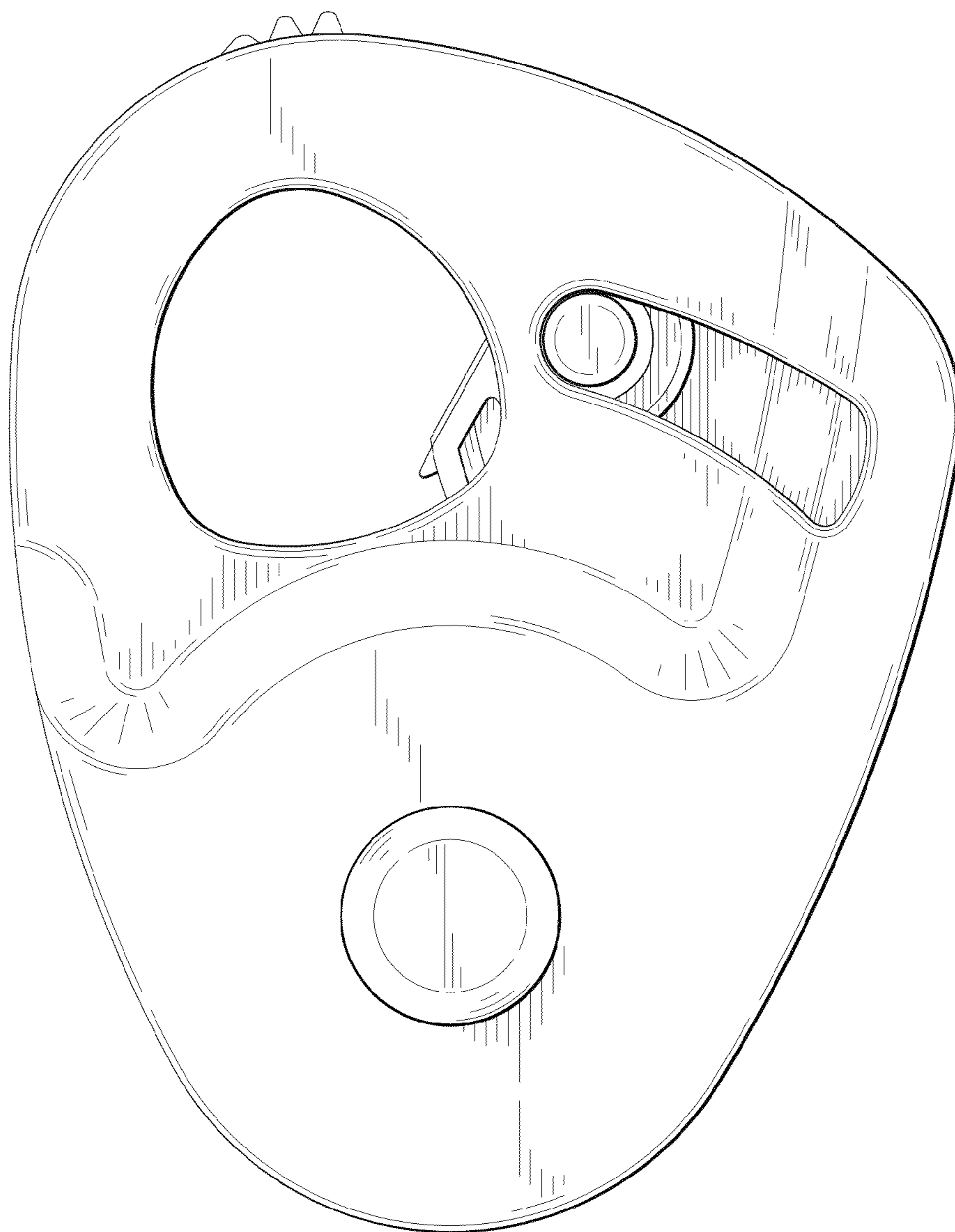


FIG. 2

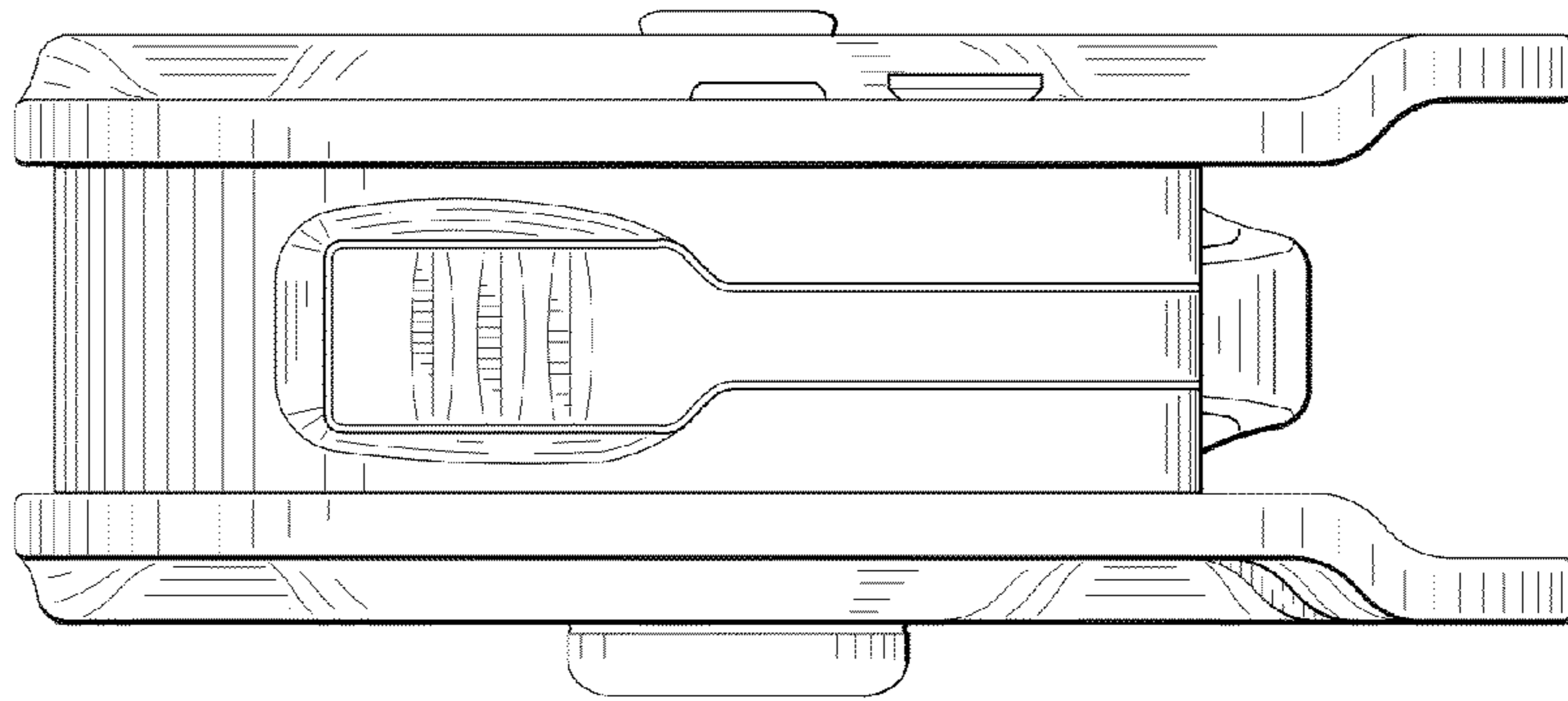


FIG. 3

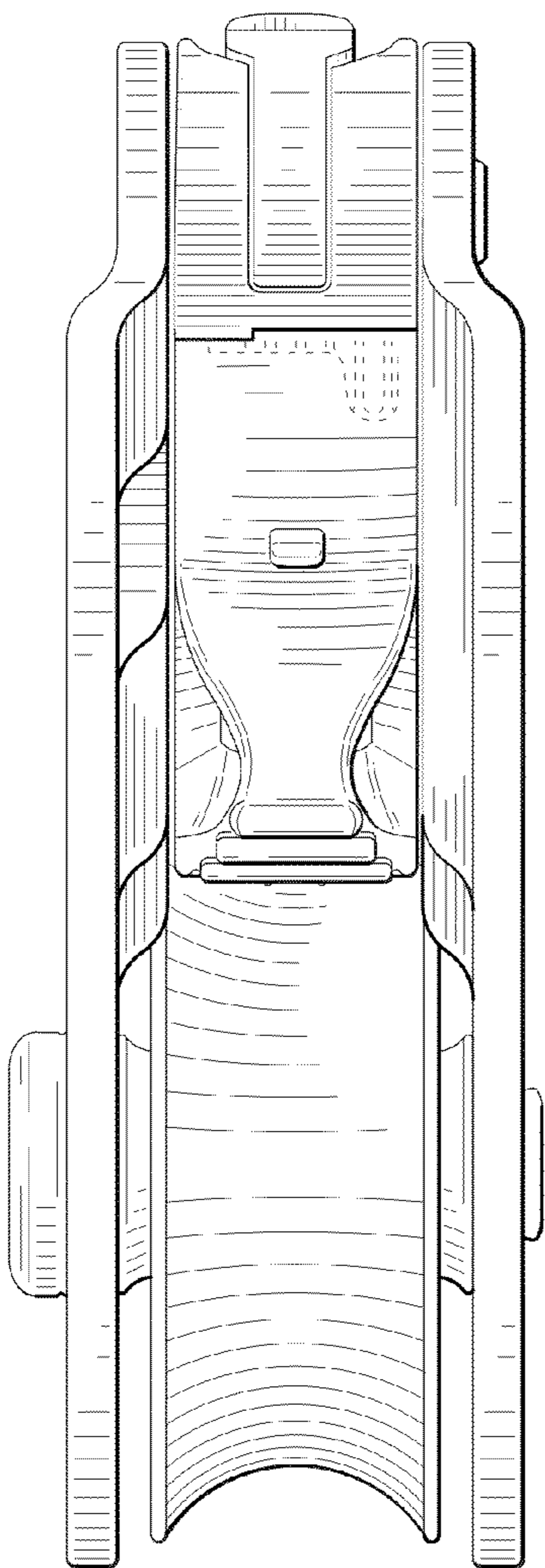


FIG. 4

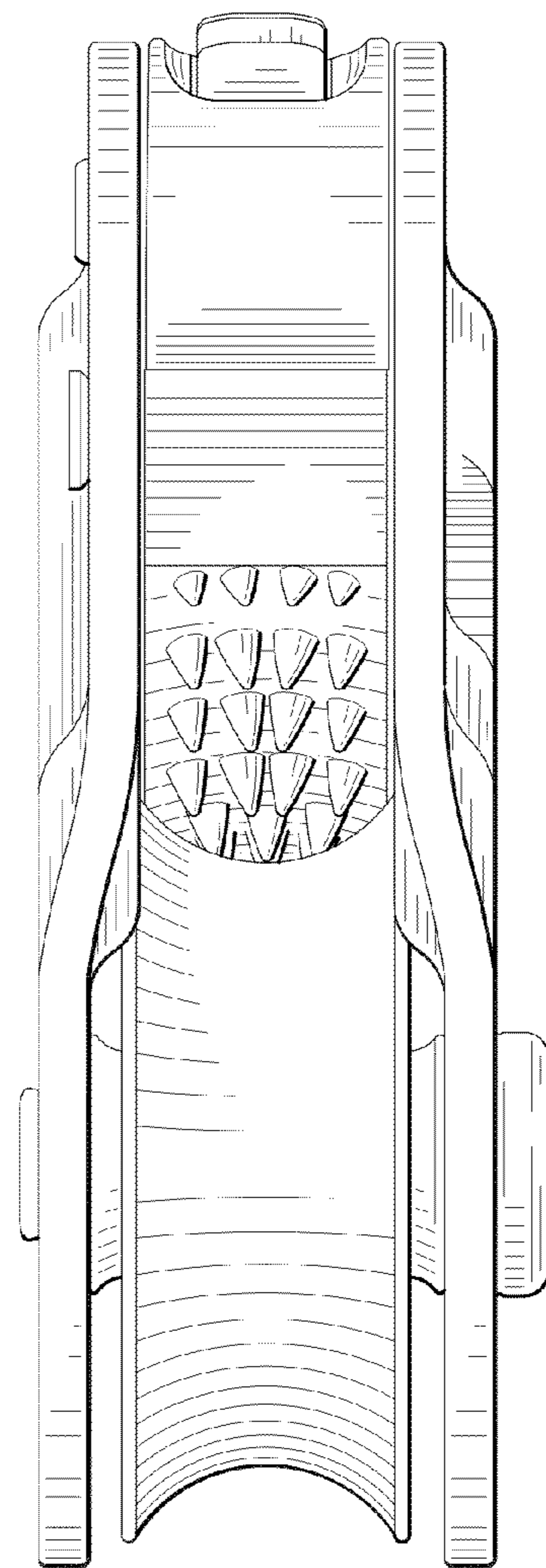


FIG. 5

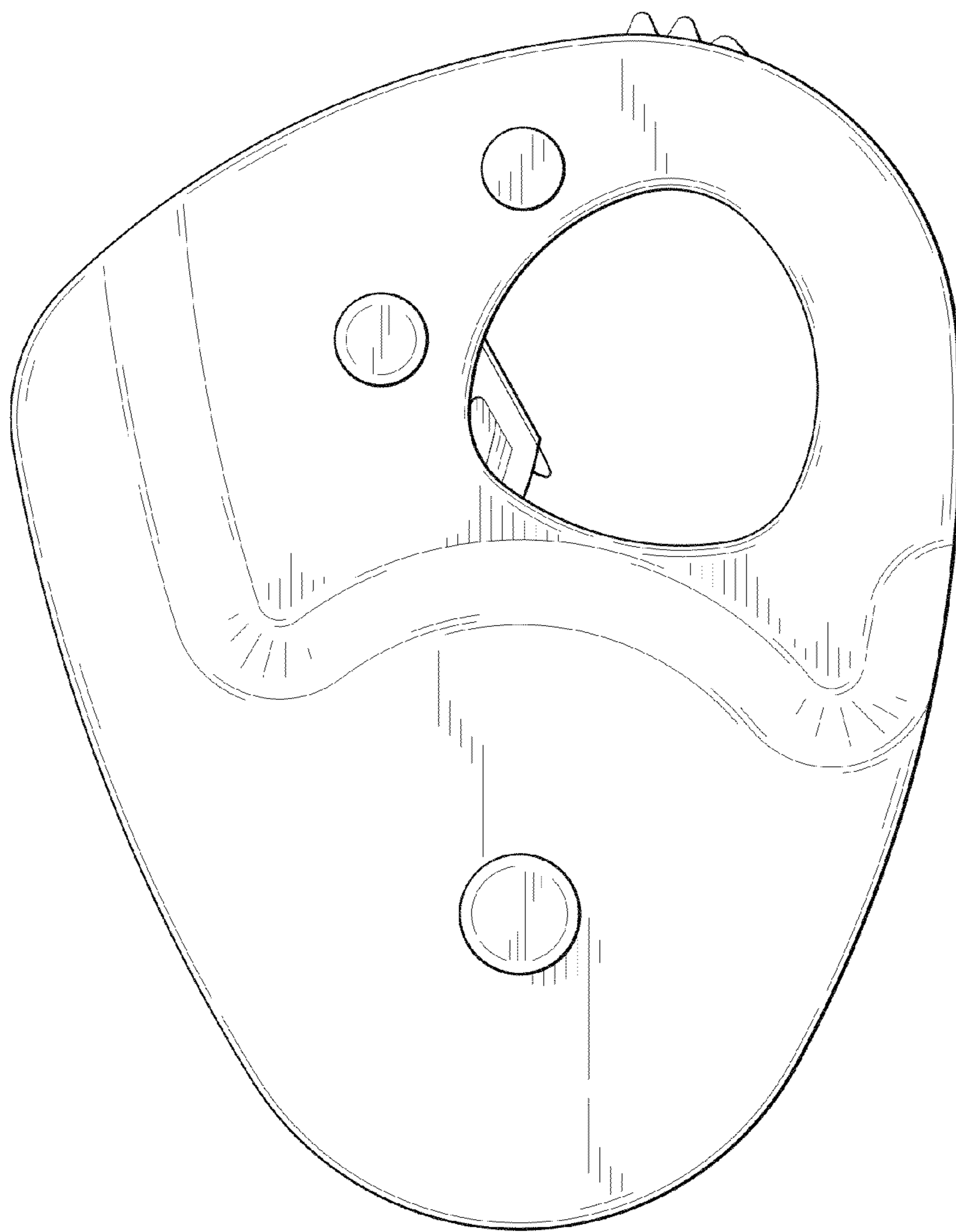


FIG. 6

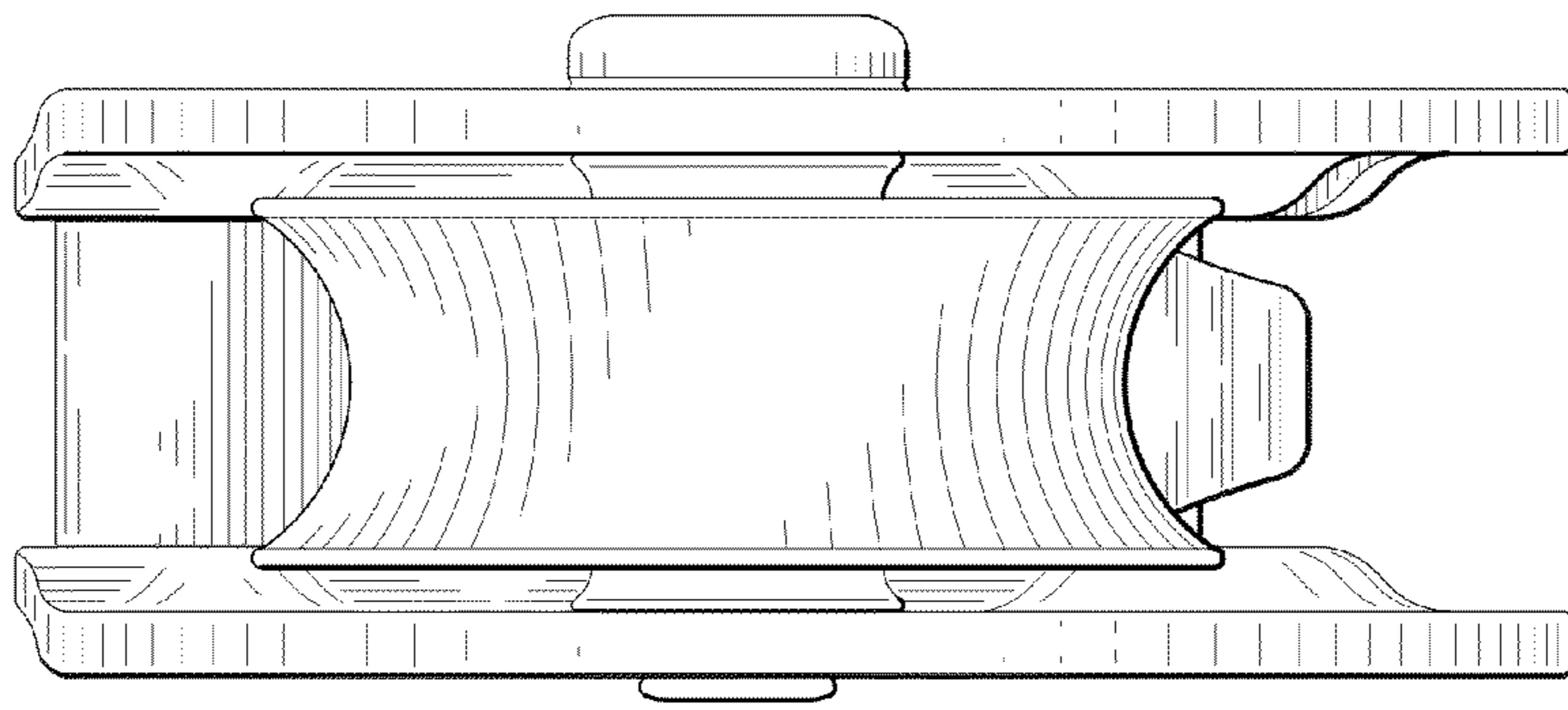


FIG. 7



FIG. 8

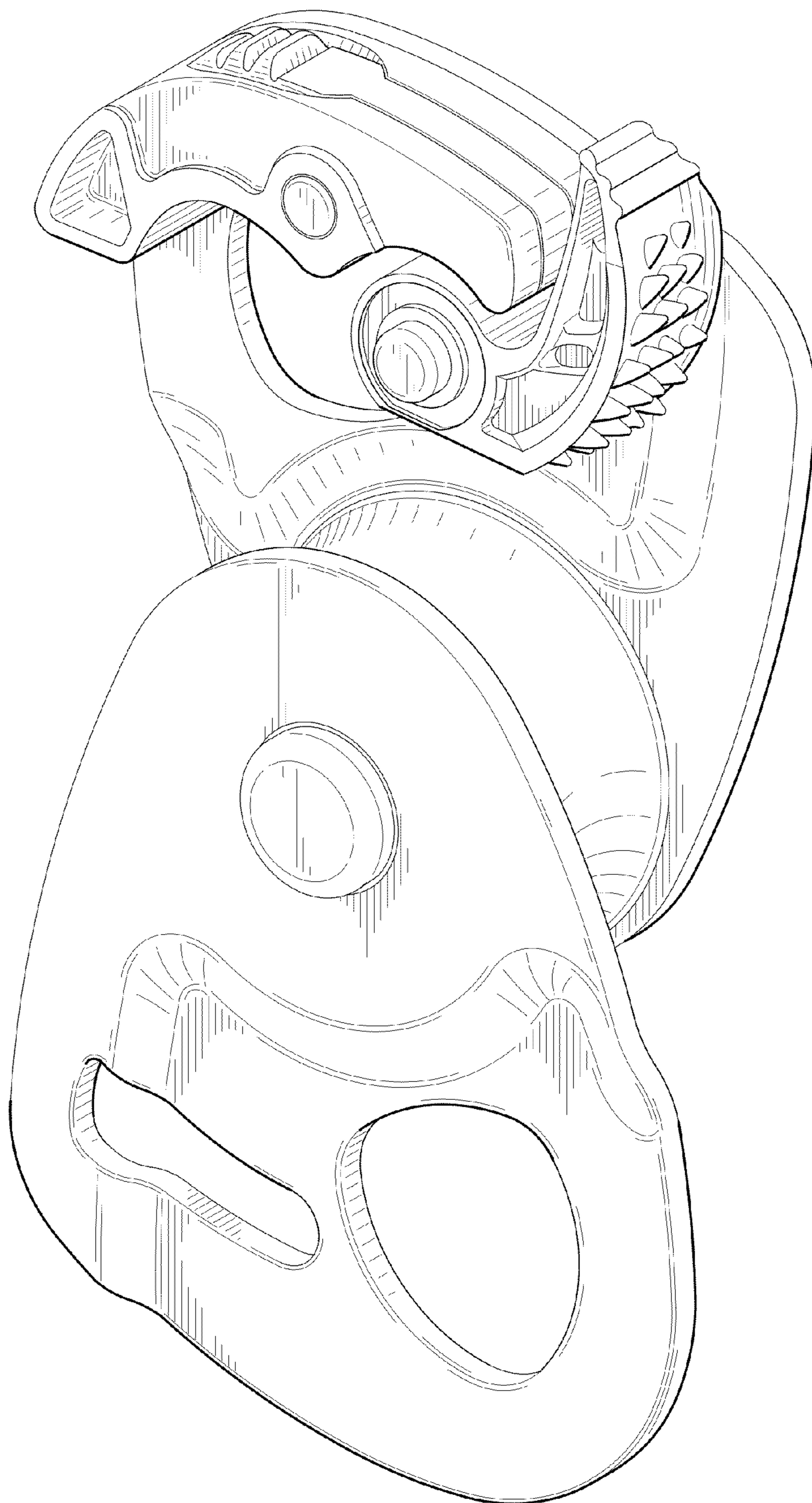


FIG. 9