



US00D687699S

(12) **United States Design Patent**  
**Hollis et al.**

(10) **Patent No.:** **US D687,699 S**  
(45) **Date of Patent:** **\*\* Aug. 13, 2013**

(54) **WIRE GUIDE**

(75) Inventors: **Michael Hollis**, Flanders, NJ (US);  
**Donald Carlucci**, Sparta, NJ (US)

(73) Assignee: **The United States of America as**  
**Represented by the Secretary of the**  
**Army**, Washington, DC (US)

(\*\*) Term: **14 Years**

(21) Appl. No.: **29/425,777**

(22) Filed: **Jun. 27, 2012**

(51) **LOC (9) Cl.** ..... **08-05**

(52) **U.S. Cl.**

USPC ..... **D8/356; D8/349**

(58) **Field of Classification Search**

USPC .. D8/356, 367, 354, 349, 394, 373; D24/128;  
D25/99; 24/455; 248/62, 63, 65, 74.1, 74.2,  
248/75, 313, 316.1, 229.26; D11/218

See application file for complete search history.

(56) **References Cited**

**U.S. PATENT DOCUMENTS**

|          |   |   |         |            |       |          |
|----------|---|---|---------|------------|-------|----------|
| 229,348  | A | * | 6/1880  | Witter     | ..... | 24/600.9 |
| D460,344 | S | * | 7/2002  | Smith      | ..... | D8/367   |
| D476,815 | S | * | 7/2003  | Richter    | ..... | D3/328   |
| D554,977 | S | * | 11/2007 | Ravoy, Jr. | ..... | D8/354   |
| D580,257 | S | * | 11/2008 | Squyres    | ..... | D8/349   |

|              |    |   |         |               |       |           |
|--------------|----|---|---------|---------------|-------|-----------|
| D639,356     | S  | * | 6/2011  | Kassel        | ..... | D21/662   |
| D644,700     | S  | * | 9/2011  | Kassel        | ..... | D21/662   |
| D654,639     | S  | * | 2/2012  | Huber et al.  | ..... | D30/153   |
| D655,999     | S  | * | 3/2012  | Kelleghan     | ..... | D8/356    |
| D669,233     | S  | * | 10/2012 | Ranstead      | ..... | D30/153   |
| D675,084     | S  | * | 1/2013  | Moreau et al. | ..... | D8/356    |
| D677,842     | S  | * | 3/2013  | Kalbach       | ..... | D30/153   |
| 2004/0046077 | A1 | * | 3/2004  | Kramer        | ..... | 242/388.4 |

\* cited by examiner

*Primary Examiner* — Cynthia Underwood

(74) *Attorney, Agent, or Firm* — Henry S. Goldfine

(57) **CLAIM**

The ornamental design for a wire guide, as shown and described.

**DESCRIPTION**

FIG. 1 is a perspective view of a wire guide showing our new design;

FIG. 2 is a back elevation view thereof;

FIG. 3 is a front elevation view thereof;

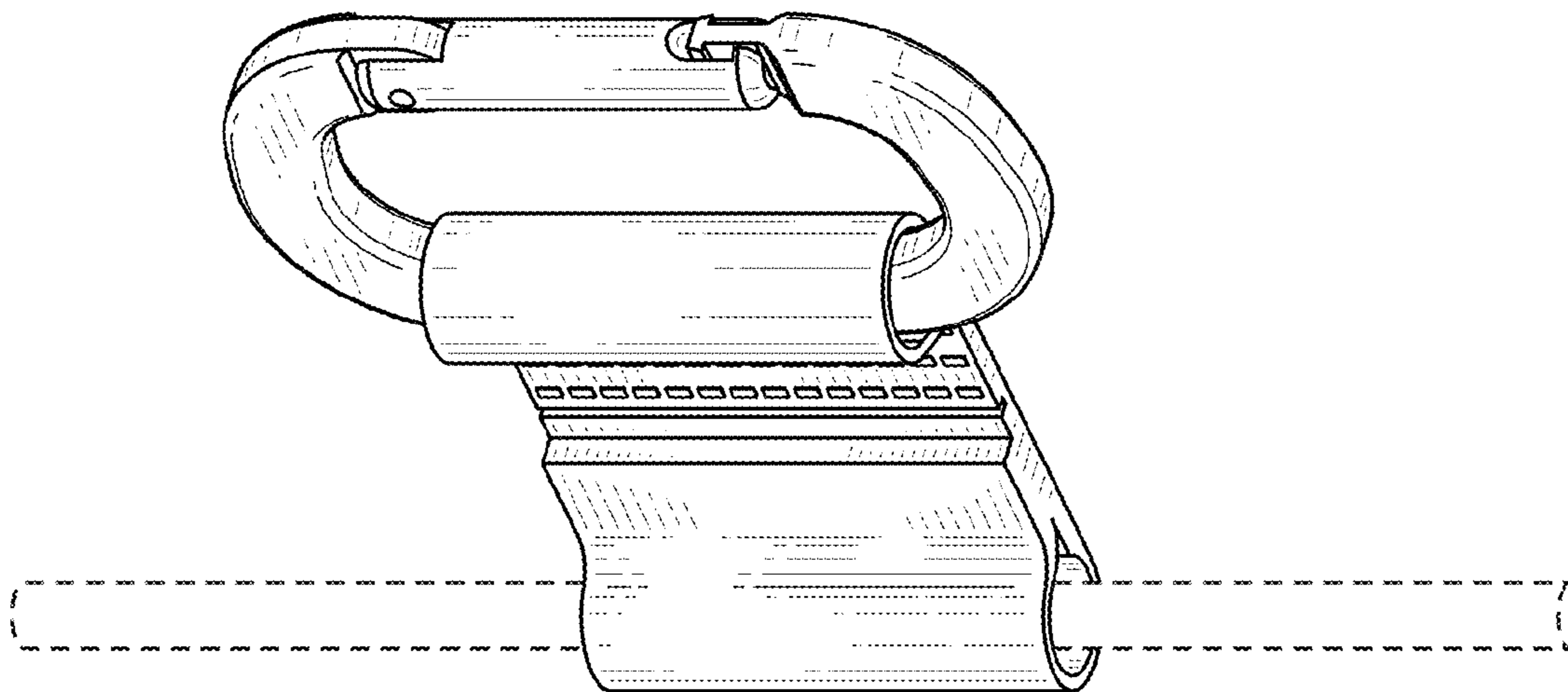
FIG. 4 is a right side elevation view thereof, the left side being a mirror image thereof;

FIG. 5 is a top plan view thereof; and,

FIG. 6 is a bottom plan view thereof.

The broken lines shown in the various views are indicative of wires which may be grouped and secured by a wire guide of the subject design--these wires form no part of the claimed design.

**1 Claim, 3 Drawing Sheets**



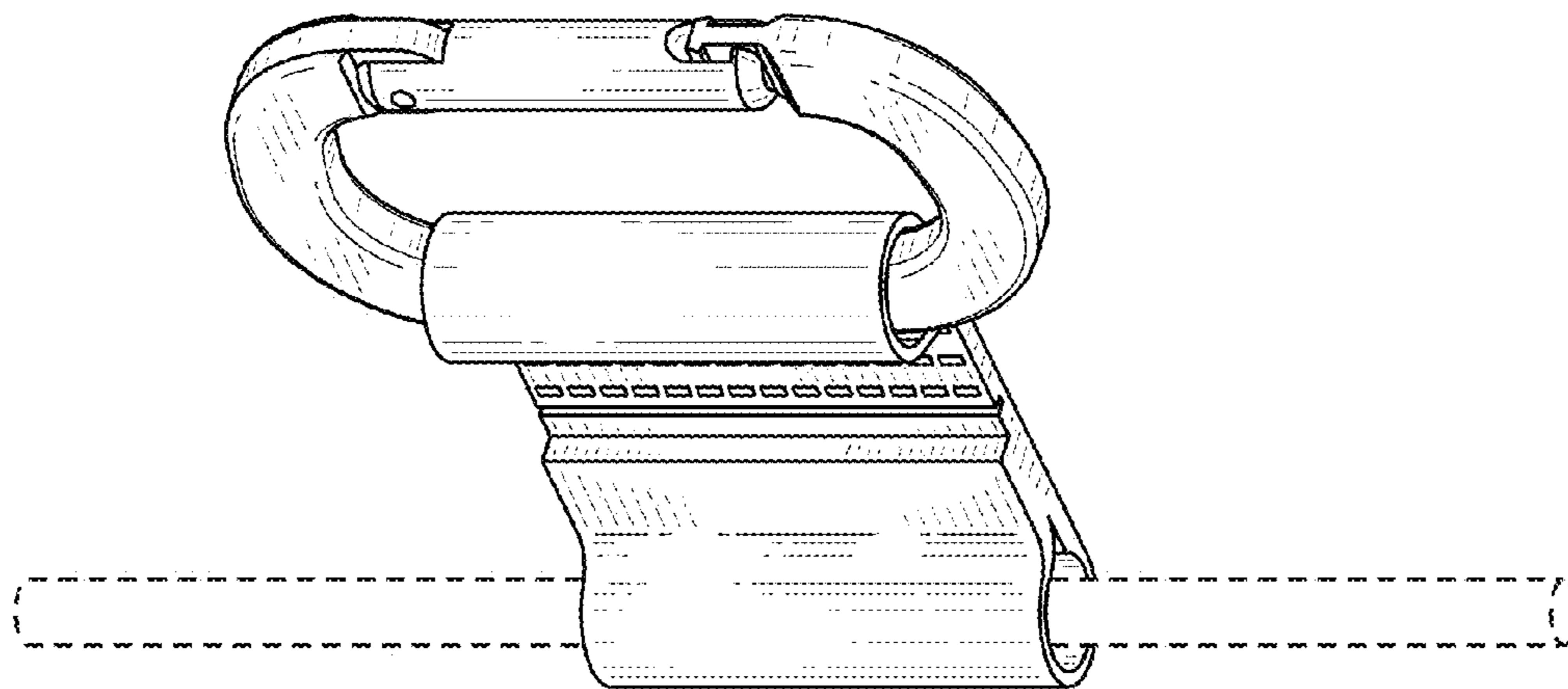


FIG. 1

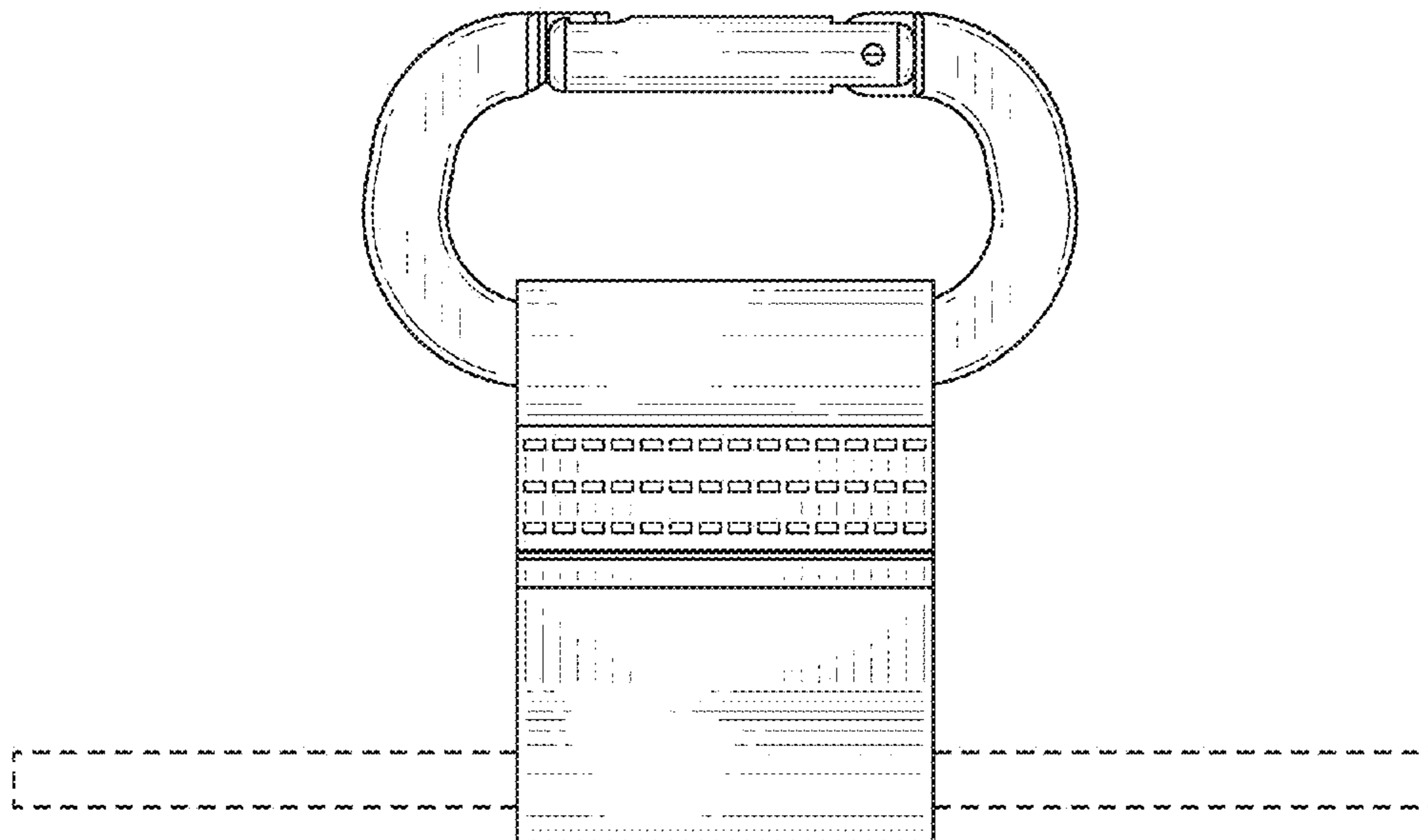


FIG. 2

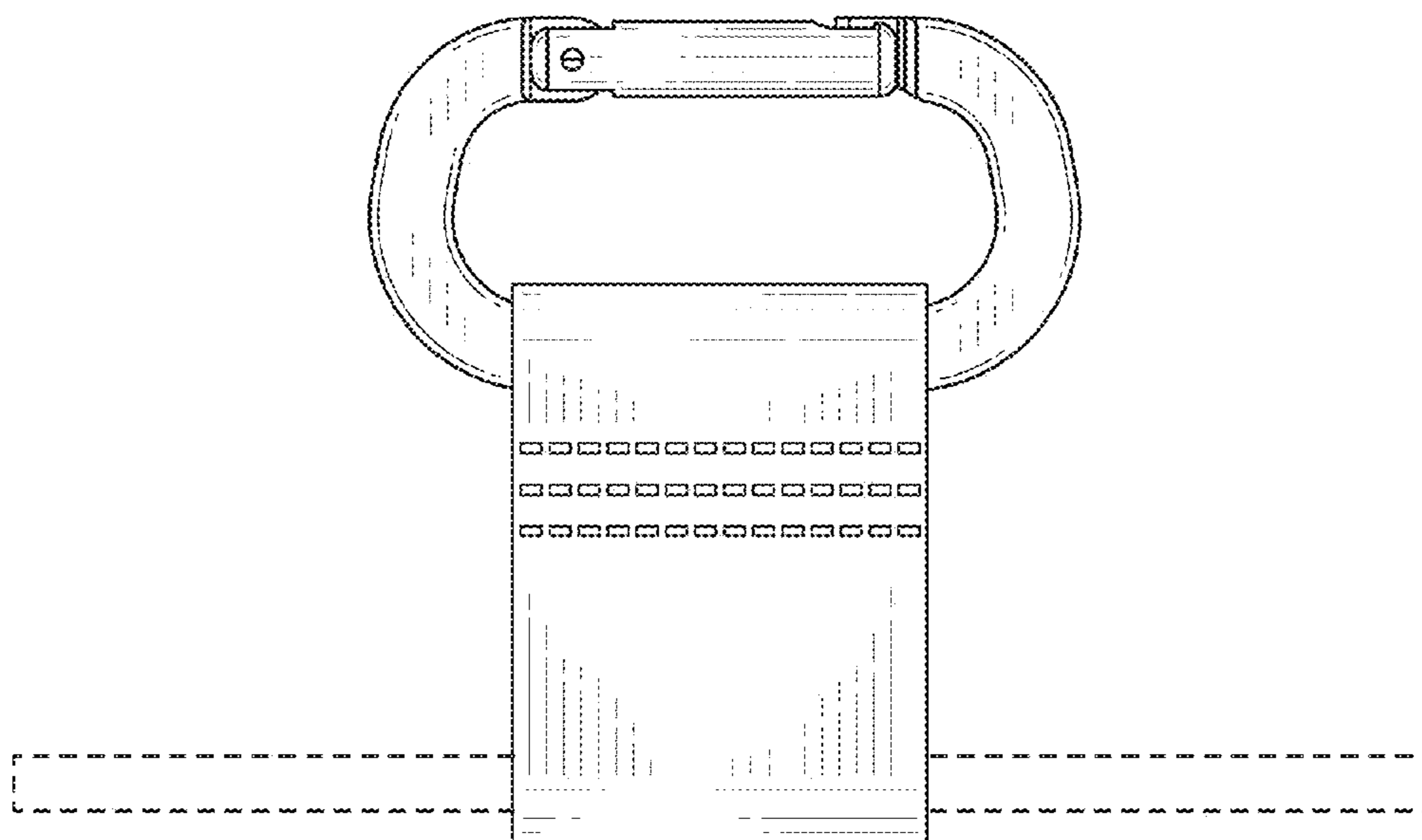


FIG. 3

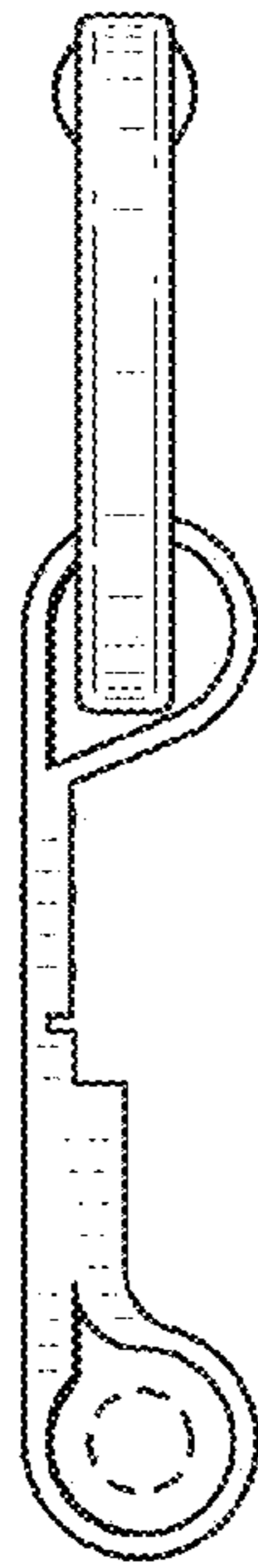


FIG. 4

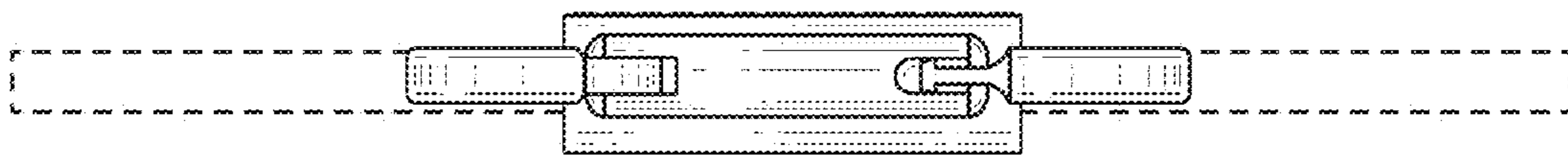


FIG. 5

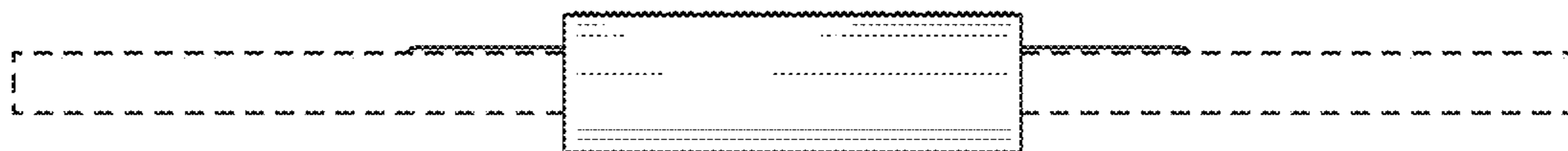


FIG. 6